

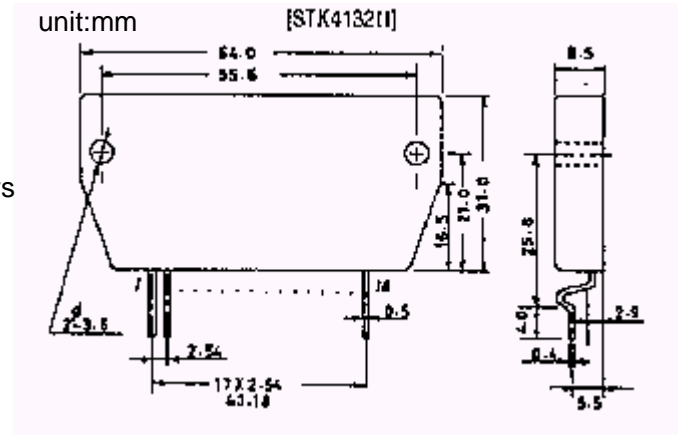
STK4132

2ch AF Power Amplifier (Split Power Supply)

◆ Features

- Pin compatible with the STK4102 and STK4101V series (high-grade type) over the output range 6 to 50W for easy interchangeability
- Built-in muting circuit to cut off spurious shock noise
- 125 guaranteed high temperature operation allows greatly reduced heat sink size
- Excellent low-cost performance

Package Dimensions



Specifications

◆ Maximum Ratings at Ta=25

Parameter	Symbol	Conditions	Ratings	UNIT
Maximum supply voltage	V_{CC} max		± 34.5	V
Thermal resistance	j-c		3.0	/W
Junction temperature	T_j		150	
Operating substrate temperature	T_c		125	
Storage temperature	T_{stg}		-30 to +125	
Available time for load short-circuit	t_s	$V_{CC} = \pm 23V, R_L = 8 \Omega, f = 50Hz, P_O = 20W$	2	s

◆ Recommended operating conditions at Ta=25

Parameter	Symbol	Conditions	Ratings	UNIT
Supply voltage	V_{CC}		± 23	V
Load impedance	R_L		8	

◆ Operating characteristics at Ta=25, $V_{CC} = \pm 23V, R_L = 8 \Omega, R_g = 600 \Omega, V_G = 40dB$, R_L : non-inductive load

Parameter	Symbol	Conditions	min	typ	max	unit
Quiescent current	I_{CCO}	$V_{CC} = \pm 28V$	20	40	100	mA
Output power	P_O (1)	THD=0.4% $f = 20Hz$ to 20kHz	20			W
	P_O (2)	$V_{CC} = \pm 20V, THD = 1.0%$ $R_L = 4 \Omega, f = 1kHz$	20			W
Total harmonic distortion	THD	$P_O = 1.0W, f = 1kHz$			0.3	%
Frequency response	f_L, f_H	$P_O = 1.0W, \pm 0$ dB -3		20 to 50k		Hz
Input impedance	r_j	$P_O = 1.0W, f = 1kHz$		55		k
Output noise voltage	V_{NO}	$V_{CC} = \pm 28V, R_g = 10 k$			1.2	mVrms
Neutral voltage	V_N	$V_{CC} = \pm 50.5V$	-70	0	+70	mV
Muting voltage	V_M		-2	-5	-10	V