

STK4273

Thick Film Hybrid IC
2-Channel AF Power Amp

TENTATIVE

Case Outline : 15 pins (See attached case outline drawing.)

Function : 2-channel / 1-pack AF power amp

Use : Video projectors

Absolute Maximum Ratings at $T_a = 25^\circ\text{C}$

Parameter	Symbol	Value	Unit
Supply Voltage	V_{CC}	± 30	V
Operating Case Temperature	T_C	105	$^\circ\text{C}$
Storage Temperature	T_{stg}	-30 to +105	$^\circ\text{C}$
Available Time for Load Shorted	t	2	sec
Thermal Resistance	θ_{j-c} Total	1.0	$^\circ\text{C/W}$

Conditions for t: $V_{CC} = \pm 20.5\text{V}, R_L = 8\Omega, f = 50\text{Hz}, P_o = 18\text{W}$

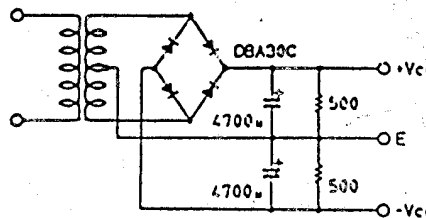
Operating Characteristics at $T_a = 25^\circ\text{C}, R_g = 50\Omega$, See attached Test Circuit.

Parameter	Symbol	Conditions	min	typ	max	unit
Output Noise Voltage	V_{NO}	$V_{CC} = \pm 24\text{V}$				0.2 mVrms
Quiescent Current	I_{CCQ}	$V_{CC} = \pm 24\text{V}$		15	25	mA
Midpoint Voltage	V_N	$V_{CC} = \pm 24\text{V}$	-50	0	+50	mV
Output Delay Time	t_D	$V_{CC} = \pm 20.5\text{V}, f = 15.75\text{kHz}$ triangular wave input $V_{p,p} = 1.5\text{V}$			1	μsec

Remarks

- For power supply at the time of test, use a constant-voltage power supply unless otherwise specified.
- For measurement of the available time for load shorted and output noise voltage, use the specified transformer power supply shown below.
- The output noise voltage is represented by the peak value on rms scale (VTVM) of average value indicating type.

Specified transformer power supply (equivalent to RP-25)

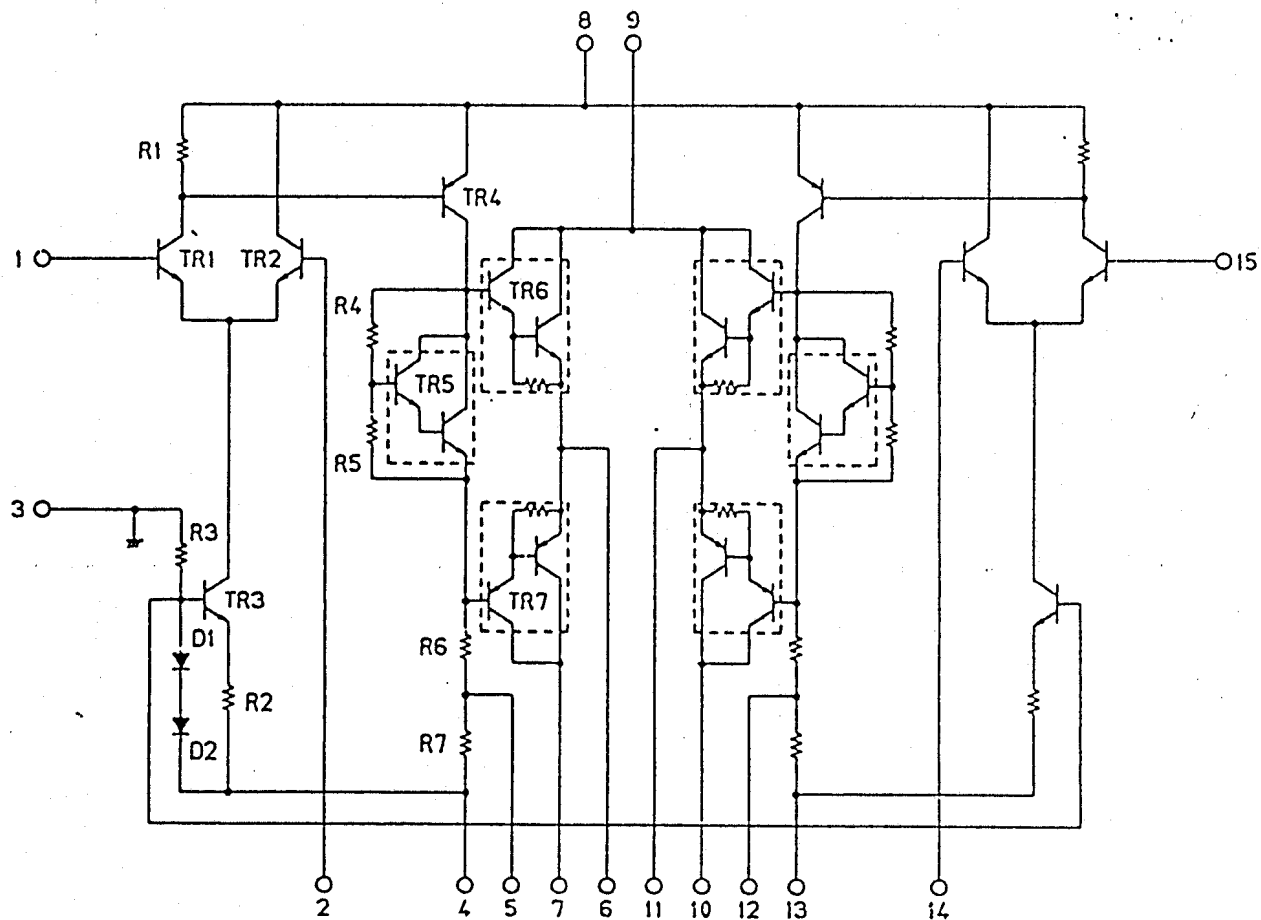


The application circuit diagrams and circuit constants herein are included as an example and provide no guarantee for designing equipment to be mass-produced. The information herein is believed to be accurate and reliable. However, no responsibility is assumed by SANYO for its use; nor for any infringements of patents or other rights of third parties which may result from its use.

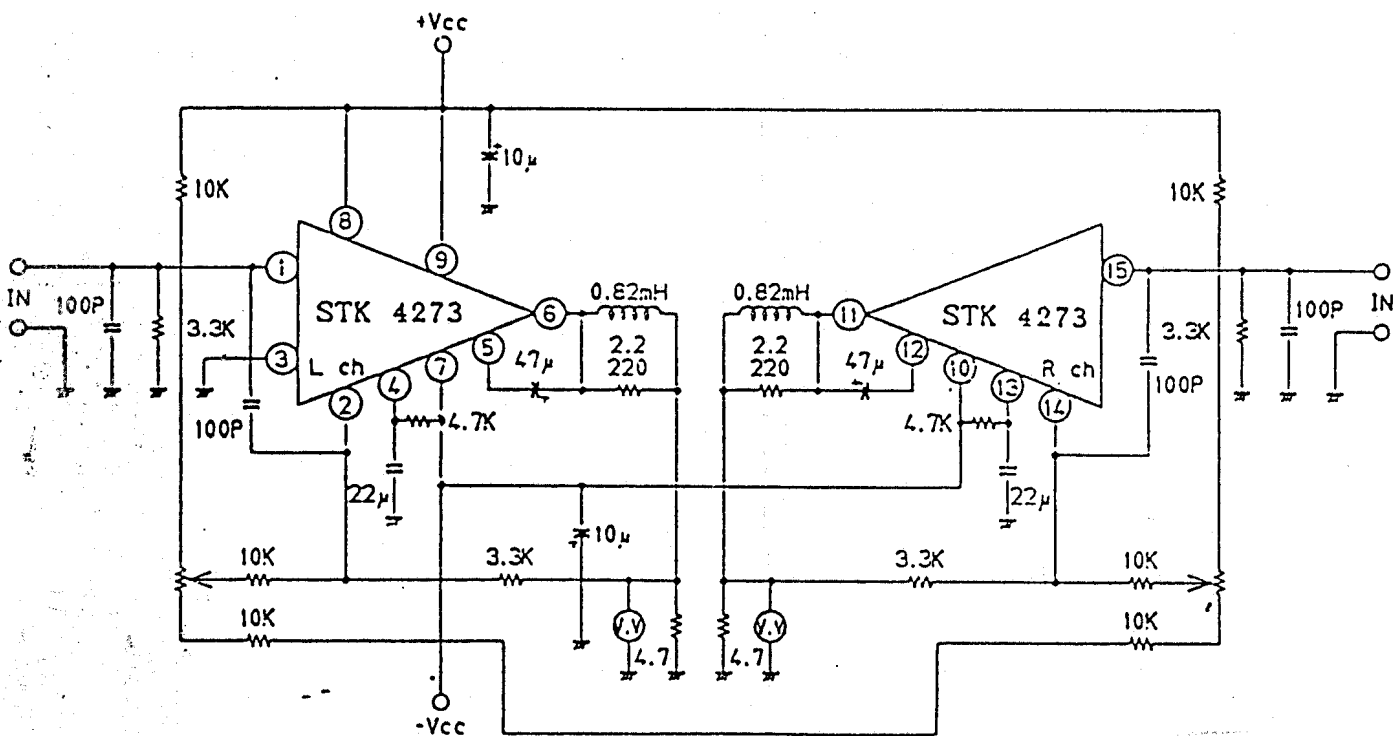
Specifications and information herein are subject to change without notice.

SANYO Electric Co., Ltd. Semiconductor Overseas Marketing Div.
Natsume Bldg., 18-6, 2-chome, Yushima, Bunkyo-ku, TOKYO 113 JAPAN

Internal Equivalent Circuit (STK4273)



Test Circuit (STK4273)



Case Outline (unit: mm)

