



STV82x8

Digital Audio Decoder/Processor for BTSC Television/Video Recorders

PRELIMINARY DATA

Key Features

- **Fully Automatic Multi-Standard Demodulation**
 - M/N standards
 - FM mono
 - BTSC (US MTS) stereo and SAP standards
- **Multi-Channel Capability**
 - 3 I²S digital inputs, S/PDIF (in/out)
 - 5.1 analog outputs
 - Dolby® Pro Logic®
 - Dolby® Pro Logic II®
 - 2 I²S digital outputs (TQFP100 only)
 - 2 asynchronous I²S digital inputs (TQFP100 only)
- **Sound Processing**
 - ST royalty-free processing: ST WideSurround, ST OmniSurround, ST Dynamic Bass, ST Bass Enhancer, SRS® WOW™, SRS® TruSurround XT™ which is Virtual Dolby® Surround and Virtual Dolby® Digital compliant
 - Independent Volume / Balance for Loudspeakers and Headphone
 - Loudspeakers: Smart Volume Control (SVC), 5-band equalizer and loudness
 - Headphone: Smart Volume Control (SVC), bass-treble, loudness, ST Dynamic Bass and SRS® TruBass™
 - 3 different bip tones
- **Analog Audio Matrix**
 - 4 stereo inputs or 5 stereo inputs (TQFP100 only)
 - 3 stereo outputs
 - Pass-thru mode
- **Audio Delay for Audio Video Synchronization**
 - Embedded stereo delay up to 120 ms for lip-sync function
 - Independent delay on headphone and loudspeaker channels
 - External additional audio delay support (TQFP100 only)

The STV82x8 family, based on audio digital signal processors (DSP), performs high quality and advanced dedicated digital audio processing. These devices provide all of the necessary resources for automatic detection and demodulation of analog audio transmissions for USA, Taiwanese, Brazilian etc. terrestrial analog TV broadcasts.

Virtual or true multi-channel capabilities and easy digital links make them ideal for digital audio low cost consumer applications. Starting from enhanced stereo up to independent control of 5 loudspeakers and a subwoofer (5.1 channels), the STV82x8 family offers standard and advanced features plus sound enhancements, spatial and virtual effects to enhance television viewer comfort and entertainment.

Typical Applications

- Analog and digital TV with virtual surround sound
- Analog and digital TV with multi-channel surround sound
- DVD and HDD recorders
- "Palm size" portable TV



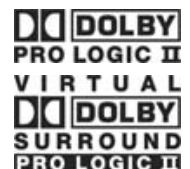
TQFP80 Package



TQFP100 Package



© 2004 SRS Labs, Inc. All rights reserved, SRS and the SRS logo are registered trademarks of SRS Labs, Inc.



"Dolby", "Pro Logic", and the double-D symbol are trademarks of Dolby Laboratories.

Figure 1: STV82x8 Block Diagram (TQFP80)

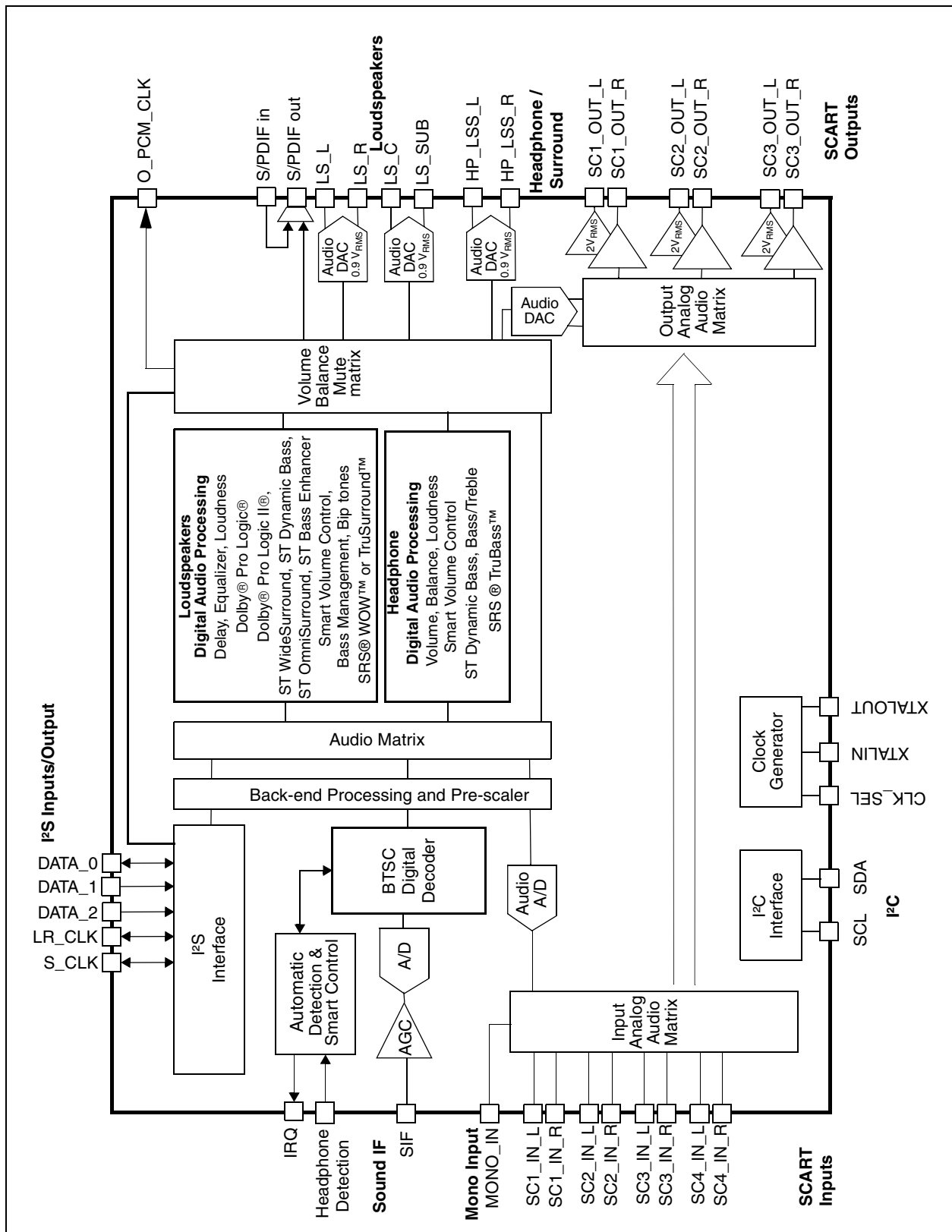


Figure 2: STV82x8 Block Diagram (TQFP100)

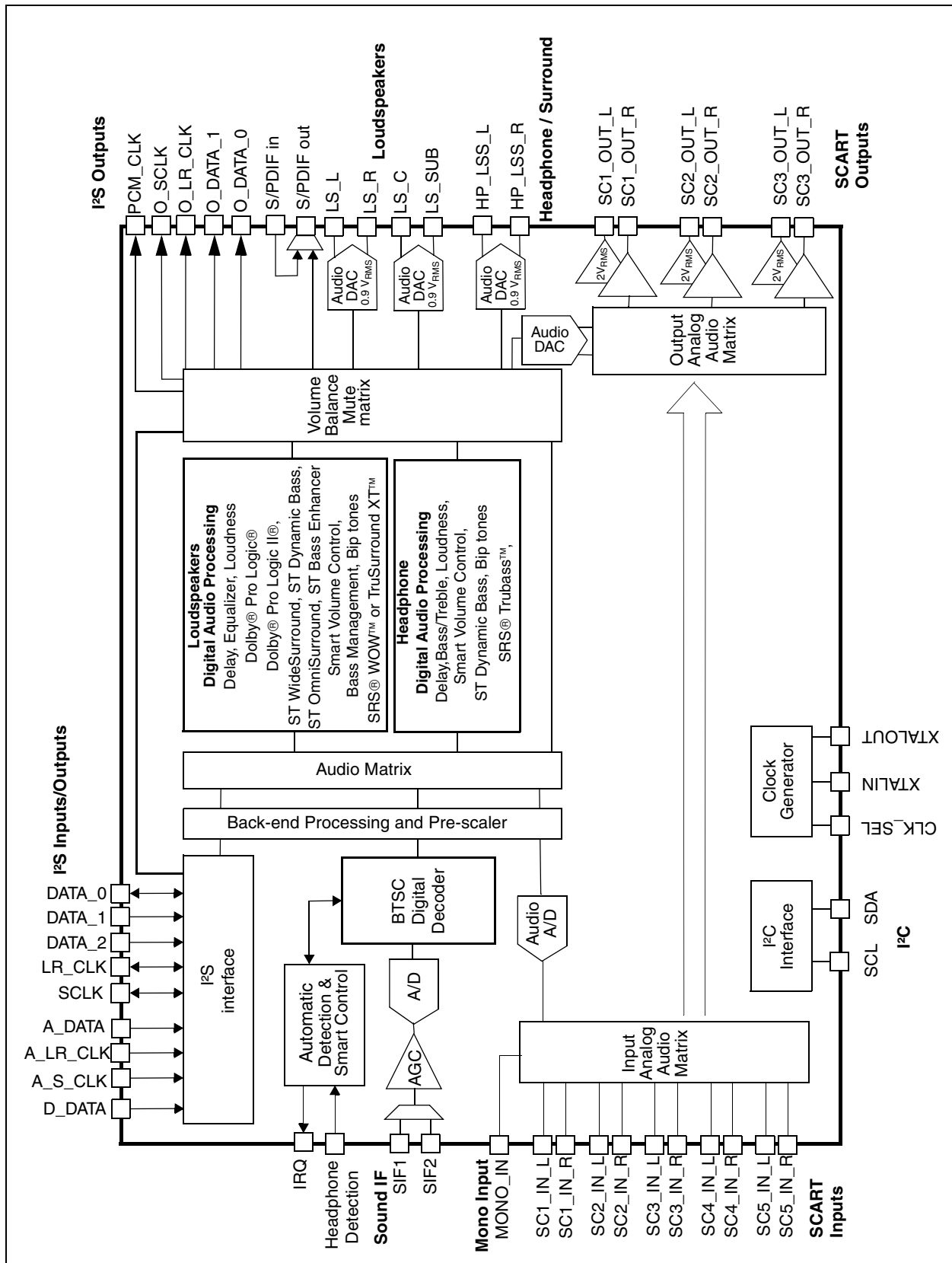


Table of Contents

Chapter 1	General Description	8
1.1	STV82x8 Overview	13
1.1.1	Core Features	13
1.1.2	Software Information	14
1.1.3	Electrical Features	14
1.2	Typical Applications	15
Chapter 2	System Clock	18
Chapter 3	Digital Demodulator	19
3.1	Sound IF Signal	19
3.2	Demodulation	19
Chapter 4	Dedicated Digital Signal Processor (DSP)	21
4.1	Back-end Processing	21
4.2	Audio Processing	22
4.3	ST WideSurround	24
4.4	ST OmniSurround	25
4.5	Dolby Pro Logic II Decoder	25
4.6	Bass Management	25
4.6.1	Bass Management Configuration 0	26
4.6.2	Bass Management Configuration 1	26
4.6.3	Bass Management Configuration 2	27
4.6.4	Bass Management Configuration 3	28
4.6.5	Bass Management Configuration 4	29
4.7	SRS WOW and TruSurround XT	29
4.7.1	SRS TruSurround	29
4.7.2	SRS WOW	30
4.8	Smart Volume Control (SVC)	30
4.9	ST Dynamic Bass/ST Bass Enhancer	31
4.10	5-Band Audio Equalizer	31
4.11	Bass/Treble Control	31
4.12	Automatic Loudness Control	32
4.13	Volume/Balance Control	32
4.14	Soft Mute Control	33
4.15	Beeper	33

Chapter 5	Analog Audio Matrix (Input / Output)	35
Chapter 6	I²S Interface (In / Out)	36
6.1	I ² S Inputs	36
6.1.1	I ² S Inputs in TQFP 80 Package	36
6.1.2	I ² S Inputs in TQFP 100 Package	37
6.2	I ² S Outputs	37
6.2.1	I ² S Outputs in TQFP 80 Package	37
6.2.2	I ² S Outputs in TQFP 100 Package	38
Chapter 7	S/PDIF Input/Output	40
Chapter 8	Power Supply Management	41
8.1	Standby Mode (Loop-through mode)	41
Chapter 9	Additional Controls and Flags	42
9.1	Headphone Detection	42
9.2	IRQ Generation	42
9.3	I ² C Bus Expander	42
Chapter 10	STV82x8 Reset	43
Chapter 11	I²C Interface	44
11.1	I ² C Address and Protocol	44
11.2	Start-up and Configuration Change Procedure	45
Chapter 12	Register List	46
12.1	I ² C Register Map	47
12.2	Software Registers	49
12.3	STV82x8 General Control Registers	53
12.4	Clocking 1	56
12.5	Demodulator	58
12.6	Demodulator Channel 1	61
12.7	I ² S and Analog Control	69
12.8	Clocking 2	72
12.9	DSP Control	73
12.10	Automatic Standard Recognition	78

12.11	Demodulator	81
12.12	Audio PreProcessing & Selection	84
12.13	Matrixing	89
12.14	Audio Processing	96
12.15	Mute	123
12.16	Beeper	124
12.17	SPDIF Output Configuration	126
12.18	Headphone Configuration	126
12.19	DAC Control	127
12.20	AutoStandard Coefficients Settings	129
Chapter 13	Pin Descriptions	131
13.1	TQFP 80-pin Package	131
13.2	TQFP 100-pin Package	134
Chapter 14	Application Diagrams	138
Chapter 15	Input/Output Groups	141
Chapter 16	Electrical Characteristics	145
16.1	Absolute Maximum Ratings	145
16.2	Thermal Data	145
16.3	Power Supply Data	145
16.4	Crystal Oscillator	146
16.5	Analog Sound IF Signal	146
16.6	SIF to I ² S Output Path Characteristics	146
16.7	SCART to SCART Analog Path Characteristics	147
16.8	SCART and MONO IN to I ² S Path Characteristics	148
16.9	I ² S to LS/HP/SUB/C Path Characteristics	148
16.10	I ² S to SCART Path Characteristics	148
16.11	MUTE Characteristics	149
16.12	Digital I/Os Characteristics	149
16.13	I ² C Bus Characteristics	150
16.14	I ² S Bus Interface	151
Chapter 17	Package Mechanical Data	153

17.1	TQFP80 Package	153
17.2	TQFP100 Package	154
Chapter 18	Revision History	155

1 General Description

This chip performs **BTSC stereo and SAP analog TV stereo sound identification and demodulation** (no specific I²C programming is required). It offers various audio processing functions such as equalization, loudness, beeper, volume, balance, and surround effects. It provides a cost-effective solution for analog and digital TV designs.

The STV82x8 is an audio processor which integrates **SRS® WOW™, SRS® TruSurround XT™, Dolby® Pro Logic®, Dolby® Pro Logic II®, Virtual Dolby® Surround (VDS)** and **Virtual Dolby® Digital (VDD)** capabilities.

Advanced ST royalty-free algorithms such as **ST OmniSurround, ST WideSurround, ST Dynamic Bass, ST Bass Enhancer** are also available in this audio sound processor. **ST OmniSurround** is a certified **Dolby®** algorithm for the **Virtual Dolby® Digital (VDD)** and the **Virtual Dolby® Surround (VDS)**. When using VDD or VDS, either an external **Dolby® Digital** or an internal **Pro Logic®** (or **Pro Logic II®**) decoder must be used respectively.

The STV82x8 is perfectly suited to current and future digital TV platforms, based on audio/video digital chips (**STD2000 - DTV100 platform**) which include an internal digital decoder (**MPEG, Dolby® Digital...**). In the case where a **Dolby® Digital** decoder is embedded in the audio/video digital chip, **Virtual Dolby® Digital** certification could be obtained.

Table 1: STV82x8 Version List (TQFP 80)

	S T V 8 2 1 8	S T V 8 2 3 8	STV8248		STV8258		STV8268		STV8278		STV8288		
			S T V 8 2 4 8 D	S T V 8 2 4 8 D S X	S T V 8 2 5 8 D	S T V 8 2 5 8 D S X	S T V 8 2 6 8 D	S T V 8 2 6 8 D S X	S T V 8 2 7 8 D	S T V 8 2 7 8 D S X	S T V 8 2 8 8 D	S T V 8 2 8 8 D S X	
Multi-Channel Capabilities													
I ² S data input number	1	1	1	1	3	3	1	1	3	3	3	3	
Analog loudspeakers output number	2.1	2.1	2.1	2.1	2.1	2.1	5.1	5.1	5.1	5.1	5.1	5.1	
Embedded SRS® and Dolby® algorithms													
Dolby® Pro Logic ® (DPLI) or Dolby® Pro Logic II® (DPLII)			DPLI	DPLI	DPLI	DPLI	DPLI	DPLI	DPLI	DPLI	DPLI	DPLII	DPLII
SRS® WOW™ (WOW) or SRS® TruSurround XT™ (XT)		WOW		XT		XT		XT		XT		XT	
General Capabilities													
S/PDIF Pass-thru	X	X	X	X	X	X	X	X	X	X	X	X	X
BTSC & SAP / Mono FM Demodulation	X	X	X	X	X	X	X	X	X	X	X	X	X
ST OmniSurround ¹ , ST WideSurround	X	X	X	X	X	X	X	X	X	X	X	X	X
ST Voice, ST Dynamic Bass, ST Bass Enhancer	X	X	X	X	X	X	X	X	X	X	X	X	X
Dolby® Pro Logic ® (DPLI) or Dolby® Pro Logic II® (DPLII) 5.1 output							DPLI	DPLI	DPLI	DPLI	DPLII	DPLII	
Dolby® Digital Bypass 5.1 output ²									X	X	X	X	
Virtual Dolby® Surround			X	X	X	X	X	X	X	X	X	X	X
Virtual Dolby® Digital capability ²					X	X			X	X	X	X	

1. When using **Virtual Dolby® Digital** or **Virtual Dolby® Surround** with **ST OmniSurround** or **SRS® TruSurround XT™** a **Dolby® Digital** or a **Pro Logic ®** (or **Pro Logic II®**) decoder is mandatory respectively

2. **Dolby® Digital Bypass** capability or **Virtual Dolby® Digital** are obtained with the use of an external **Dolby® Digital** decoder (for example STD2000).

Figure 3: Package Ordering Information

Order Code:

STV82x8 (Tray)

STV82x8/T (Tape & Reel)

For Example: STV8258DSX/T will be delivered in Tape & Reel conditioning

Table 2: STV82x8 Version List (TQFP 100)

	S T V 8 2 1 8 F	S T V 8 2 3 8 F	STV8248		STV8258		STV8268		STV8278		STV8288		
			S T V 8 2 4 8 F D	S T V 8 2 4 8 F D S X	S T V 8 2 5 8 F D	S T V 8 2 5 8 F D S X	S T V 8 2 6 8 F D	S T V 8 2 6 8 F D S X	S T V 8 2 7 8 F D	S T V 8 2 7 8 F D S X	S T V 8 2 8 8 F D	S T V 8 2 8 8 F D S X	
Multi-Channel Capabilities													
I ² S data input number	1	1	1	1	3	3	1	1	3	3	3	3	
Analog loudspeakers output number	2.1	2.1	2.1	2.1	2.1	2.1	5.1	5.1	5.1	5.1	5.1	5.1	
Embedded SRS® and Dolby® algorithms													
Dolby® Pro Logic ® (DPLI) or Dolby® Pro Logic II® (DPLII)			DPLI	DPLI	DPLI	DPLI	DPLI	DPLI	DPLI	DPLI	DPLI	DPLII	DPLII
SRS® WOW™ (WOW) or SRS® TruSurround XT™ (XT)		WOW		XT		XT		XT		XT		XT	
General Capabilities													
S/PDIF Pass-thru	X	X	X	X	X	X	X	X	X	X	X	X	X
Second SIF input	X	X	X	X	X	X	X	X	X	X	X	X	X
I ² S Output (always available)	X	X	X	X	X	X	X	X	X	X	X	X	X
BTSC & SAP / Mono FM Demodulation	X	X	X	X	X	X	X	X	X	X	X	X	X
ST OmniSurround ¹ , ST WideSurround	X	X	X	X	X	X	X	X	X	X	X	X	X
ST Voice, ST Dynamic Bass, ST Bass Enhancer	X	X	X	X	X	X	X	X	X	X	X	X	X
Dolby® Pro Logic ® (DPLI) or Dolby® Pro Logic II® (DPLII) 5.1 output							DPLI	DPLI	DPLI	DPLI	DPLII	DPLII	
Dolby® Digital Bypass 5.1 output ²									X	X	X	X	
Virtual Dolby® Surround			X	X	X	X	X	X	X	X	X	X	
Virtual Dolby® Digital capability ²					X	X			X	X	X	X	

1. When using **Virtual Dolby® Digital** or **Virtual Dolby® Surround** with **ST OmniSurround** or **SRS® TruSurround XT™** a **Dolby® Digital** or a **Pro Logic ®** (or **Pro Logic II®**) decoder is mandatory respectively
2. **Dolby® Digital Bypass** capability or **Virtual Dolby® Digital** are obtained with the use of an external **Dolby® Digital** decoder (for example STD2000).

Figure 4: Package Ordering Information

Order Code:

STV82x8F (Tray)

STV82x8F/T (Tape & Reel)

For Example: STV8258FDSX/T will be delivered in Tape & Reel conditioning

1.1 STV82x8 Overview

1.1.1 Core Features

- Single audio source processing:
 - IF source and/or analog stereo input (SCART)
 - one digital source with a maximum of 6 synchronous channels (5.1 is obtained across three I²S)
- SIF input signal with Automatic Gain Control (AGC)
- BTSC and SAP demodulator, FM Mono
- Audio processor working at 48 kHz with specific features:
 - For loudspeakers (L, R, L_S, R_S, SubW, C):
 - Dolby® Pro Logic II ® decoder with bass management
 - SRS® WOW™ or TruSurround XT™ including Virtual Dolby® Surround and Virtual Dolby® Digital
 - ST WideSurround
 - ST OmniSurround
 - ST Dynamic Bass / ST Bass Enhancer
 - 5-band equalizer or bass / treble controls
 - Loudness
 - Smart Volume Control
 - Volume/balance/soft-mute
 - Three different types of bips
 - Video processing delay compensation
 - For headphones:
 - SRS® TruBass™
 - ST Dynamic Bass
 - Smart Volume Control
 - Bass / treble controls
 - Loudness
 - Volume/balance/soft-mute
 - Three different types of bips
 - Video processing delay compensation
- Shared outputs for headphone and certain loudspeakers (surround channels);
- Analog matrix with:
 - Five external inputs:
 - Four SCART inputs (2 V_{RMS} capable)
 - One analog mono input (0.5 V_{RMS})
 - One internal input from a digital matrix via a DAC
 - Three external outputs (2 V_{RMS} capable)
 - One internal output for the digital matrix (using an internal ADC)
- Digital matrix with:
 - Three input modes (demodulator/SCART, SCART only and I²S)
 - Three stereo outputs (loudspeakers, headphone and SCART)
- High-end audio DAC
- S/PDIF output for connection with an external amplifier/decoder
- Internal multiplexer for the S/PDIF output (to share the internal S/PDIF output and the S/PDIF output generated by the external decoder of the digital broadcast)

- Specific stand-by mode (loop-through)
- Control by I²C bus (two I²C addresses)
- System PLL and clock generation using either a single crystal oscillator or a differential clock input

1.1.2 Software Information

The different software combinations are listed in [Table 3](#).

Table 3: Input/Output Software Configurations

Input (Number of Channels)	Output (Number of Channels)		
	2 (+1)	4 (+1)	5.1
1 (Mono)	ST WideSurround or SRS® WOW™		
2 (L _O & R _O)	ST WideSurround or ST OmniSurround or SRS® TruSurround XT™ or SRS® WOW™ or Dolby® Pro Logic® II	Dolby® Pro Logic® II	Dolby® Pro Logic® II
2 (L _T & R _T)	ST WideSurround or ST OmniSurround or SRS® TruSurround XT™ or SRS® WOW™ or Dolby® Pro Logic® I or II	Dolby® Pro Logic® I or II	Dolby® Pro Logic® II
4 (+1)	ST OmniSurround or SRS® TruSurround XT™	No processing	
5.1	ST OmniSurround or SRS® TruSurround XT™	Downmix	No processing

Note: In addition to the above sound processing, it is always possible to add ST Voice and also ST Dynamic Bass or ST Bass Enhancer algorithms.

Note: The SRS® TruSurround® and ST OmniSurround are approved by Dolby Labs as Virtual Dolby Surround (VDS) and Virtual Dolby Digital (VDD).

The SRS® TruSurround XT™ system is composed of:

- SRS® TruSurround™
- SRS® WOW™

The SRS® WOW™ system also includes:

- SRS® Dialog Clarity™
- SRS® TruBass™
- SRS® 3D mono / stereo

1.1.3 Electrical Features

Multi Power Supplies: 1.8 V, 3.3 V and 8 V.

Power Consumption:

- lower than 800mW in functional mode (full features)
- 200 mW in loop-through mode corresponding to the switch-off of all digital blocks

1.2 Typical Applications

The STV82x8 is specified to enable flexible, analog and digital TV chassis design (refer to [Figure 5](#), [Figure 6](#), [Figure 7](#) and [Figure 8](#)).

The main considerations are:

- all necessary connections between devices can be provided through the TV set,
- pseudo stand-by mode used to copy to VCR or the DVD sources when the TV set is OFF,
- pin compatibility with previous STV82x7 (TQFP80 package) TV design.

The STV82x8 can be used to process dual audio sources (one analog and one digital in parallel).

Note: Headphone and loudspeakers can be used simultaneously for dual-language purpose. In this case, certain restrictions occur (see [Section 4.2: Audio Processing](#)).

For more connections, the SCART-to-SCART path can be used. The use of these full analog paths implies that the sound is not digitally processed.

Figure 5: STV8238 Typical Application (Enhanced Stereo)

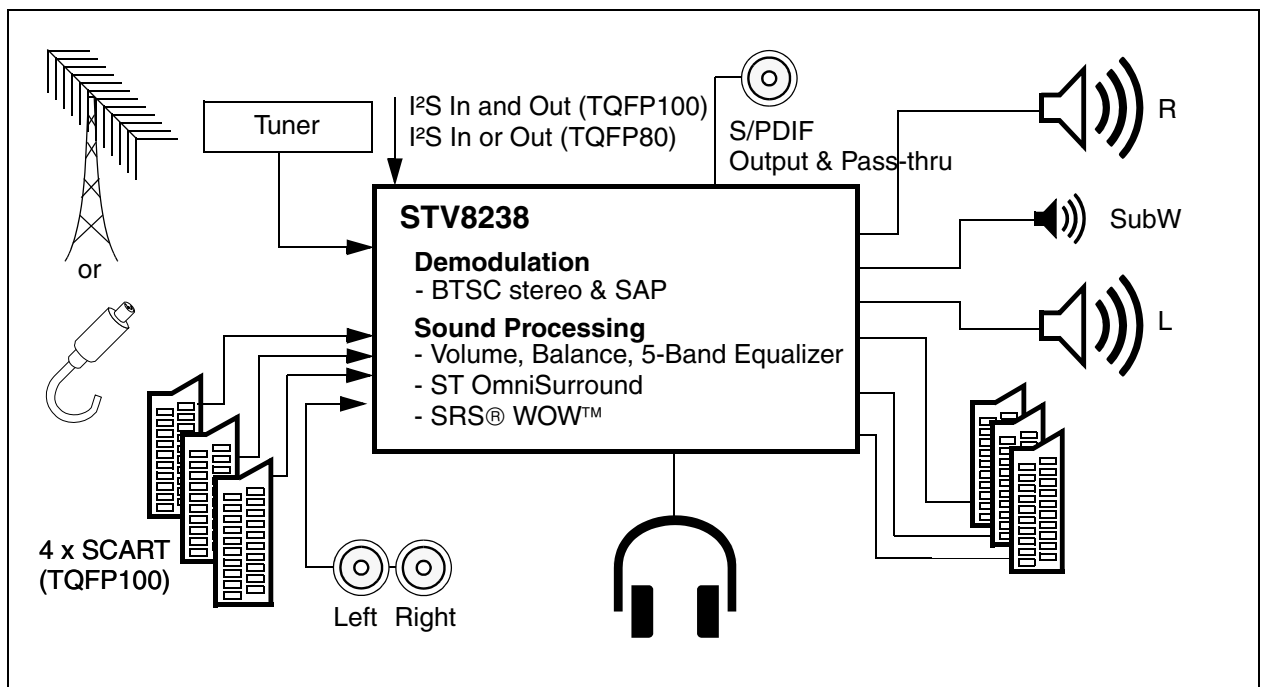


Figure 6: STV8248 Typical Application (Analog Virtual Sound)

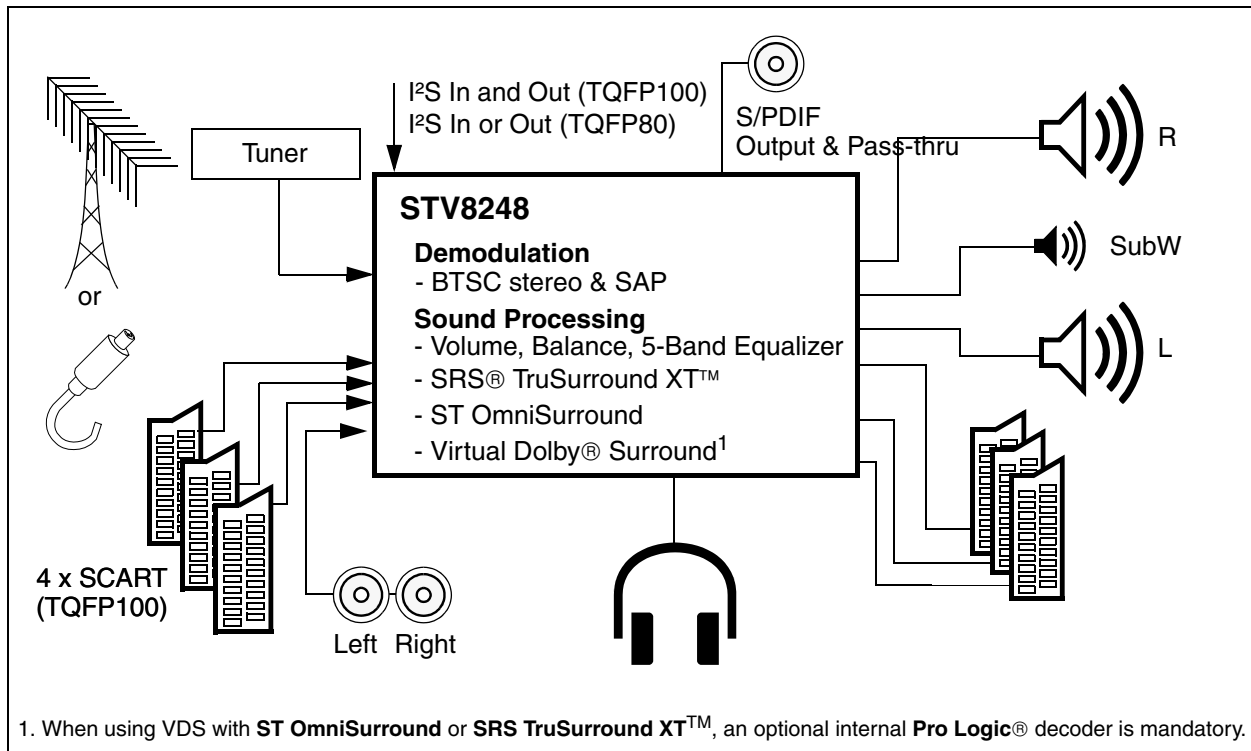


Figure 7: STV8258 Typical Application (Digital: Virtual Sound)

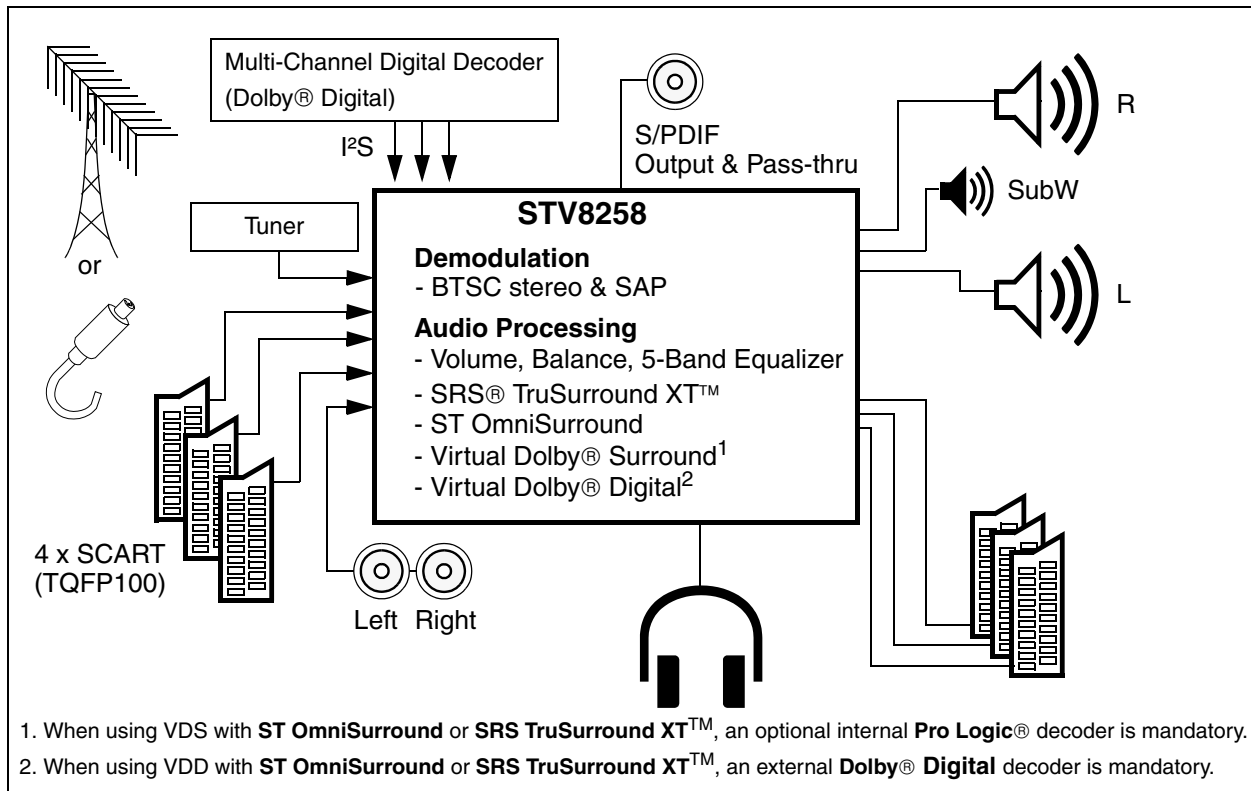


Figure 8: STV8288 Typical Application (Digital TV: Multi-Channel and Virtual Sound)

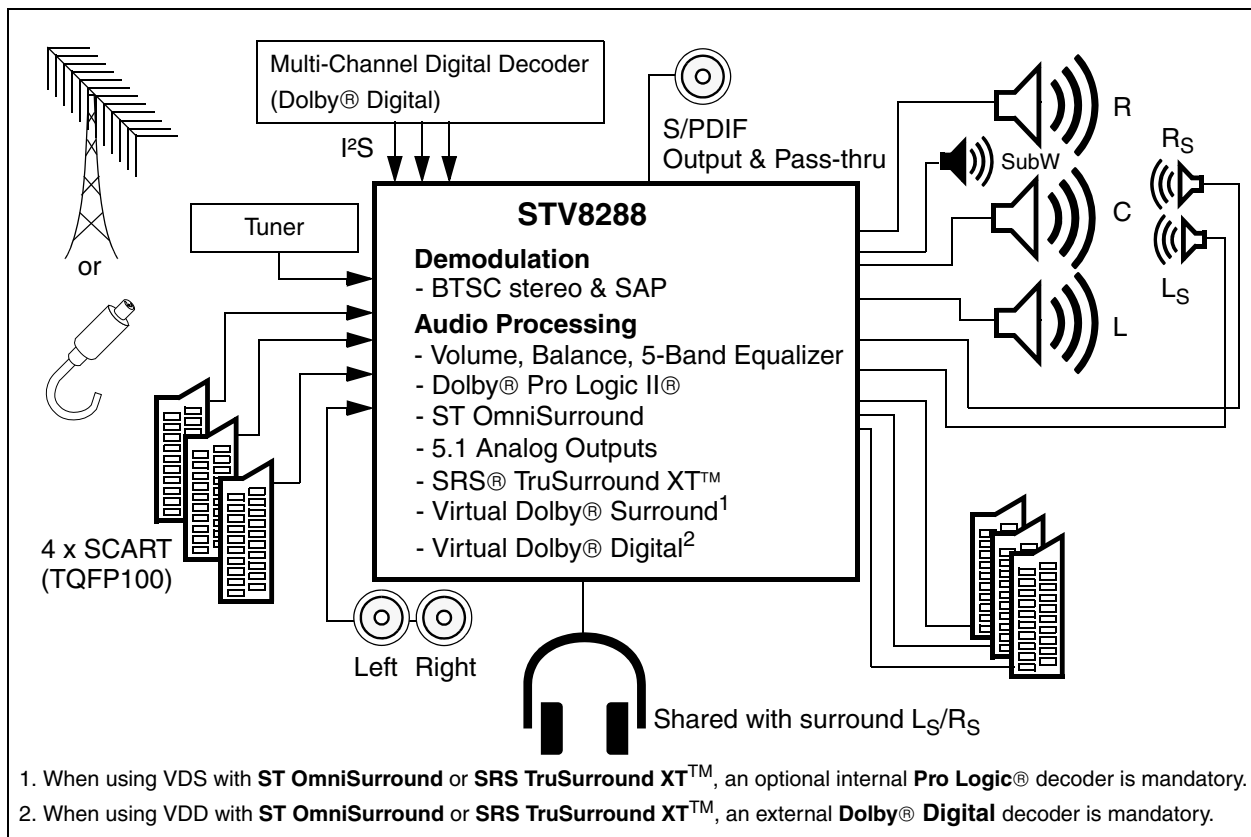
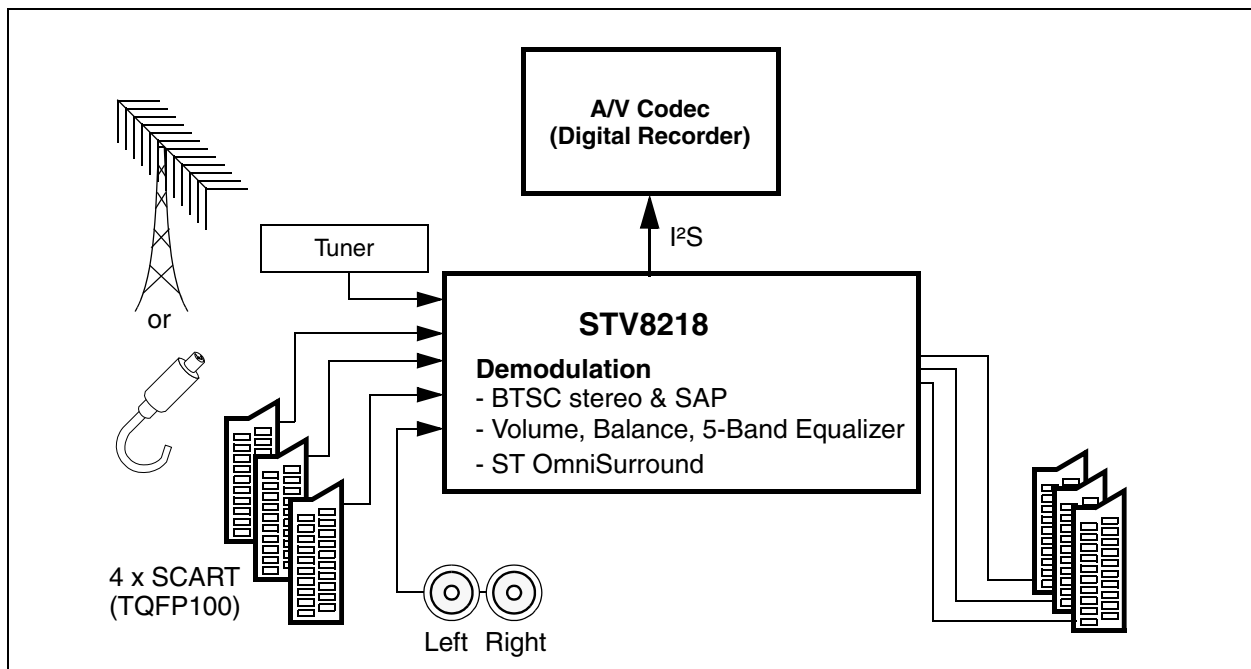


Figure 9: STV8218 Typical Application (DVD & HDD Recorders)



2 System Clock

The System Clock integrates 2 independent frequency synthesizers.

The first frequency synthesizer is used by the demodulator at a frequency of 24.576 MHz.

The second frequency synthesizer is used by the DSP core and can be adjusted between 100 and 150 MHz depending on the application.

The default values are designed for a **standard 27-MHz reference frequency** provided by a stable single crystal oscillator or an external differential clock signal (for example, from the STV35x0) depending on the CLK_SEL pin configuration (CLK_SEL = 1 means a single crystal oscillator, 0 means an external differential clock).

The 27-MHz value is the recommended frequency for minimizing potential RF interference in the application. The sinusoidal clock frequency, and any harmonic products, remain outside the TV picture and sound IFs (PIF/SIF) and Band-I RF.

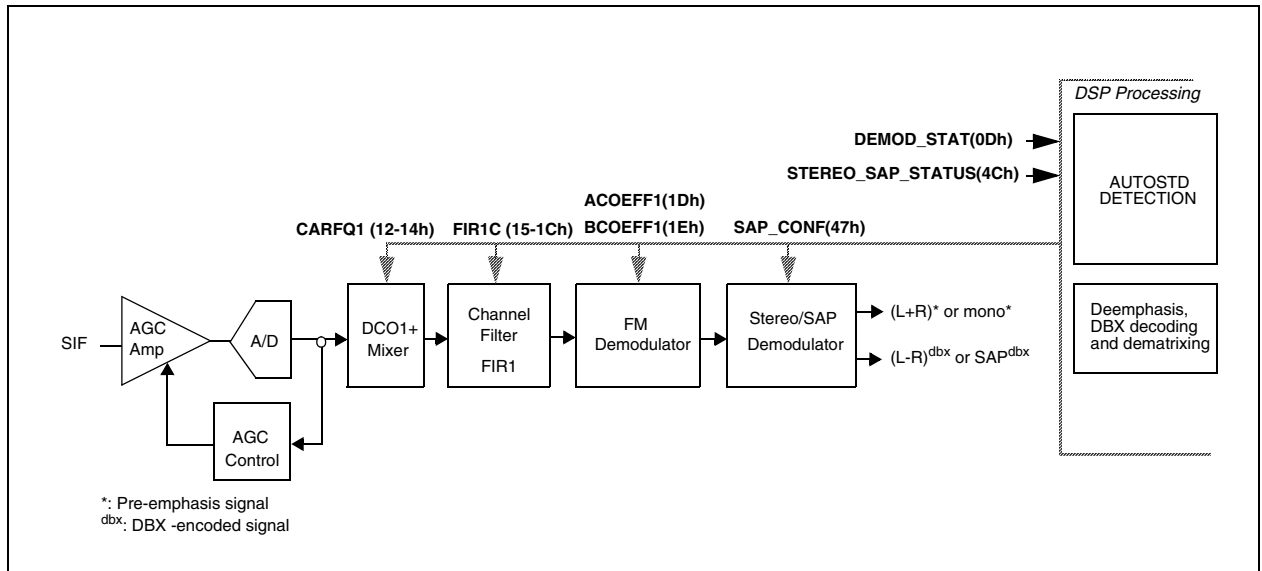
Note: A change in the reference frequency is compatible with other default I²C programming values, including those of the built-in Automatic Standard Recognition System.

3 Digital Demodulator

The Digital Demodulator (see [Figure 10](#)) consists of a channel demodulator and a stereo/SAP decoder.

All channel parameters are programmed automatically by the **built-in Automatic Standard Recognition System** (Autostandard) in order to find the STEREO or the SAP modes. Channel parameters can also be programmed manually via the I²C interface for very specific standards not included among the known standards.

Figure 10: Demodulator Block Diagram



3.1 Sound IF Signal

The Analog Sound Carrier IF is connected to the STV82x8 via the SIF pin. Before Analog-to-Digital Conversion (ADC), an Automatic Gain Control (AGC) is performed to adjust the incoming IF signal to the full scale of the ADC. A preliminary video rejection is recommended to optimize conversion and demodulation performances. The AGC system provides a gain value allowing for a wide range of SIF input levels.

The TQFP100 package provides a second SIF input.

3.2 Demodulation

The demodulation system operates by default in Automatic mode. In this mode, the STV82x8 is able to **identify and demodulate the BTSC TV sound standard including stereo and SAP modes** without any external control via the I²C interface.

The **built-in Automatic Standard Recognition System** (Autostandard) automatically programs the appropriate bits in the I²C registers which are forced to Read-only mode for users.

STEREO and SAP modes can be removed (or added) from the List of modes to be recognized by programming registers AUTOSTD_CTRL. The identified standard is displayed in register [AUTOSTD_STATUS](#) and any change to standard is flagged to the host system via pin IRQ. This flag

must be reset by re-programming the LSB of register IRQ_STATUS while checking the detected standard status by reading registers [AUTOSTD_STATUS](#).

To recover out-of standard FM deviations or the Sound Carrier Frequency Offset, additional I²C controls are provided without interfering with the Automatic Standard Recognition System (Autostandard).

Table 4: BTSC Standard

Source	Modulation	Frequency Range	Audio Pre-processing	Sub-Carrier	Modulation Type	Sub-Carrier Deviation	Aural Carrier (4.5 MHz) Peak Deviation
Monophonic	L+R	0.05 -15 kHz	75 μ s Pre-emphasis				25 kHz (1)
Pilot				0Fh			5 kHz
Stereophonic	L-R	0.05 -15 kHz	DBX Compression	2Fh	AM DSB SC		50 kHz(1)
SAP	2nd Channel	0.05 -15 kHz	DBX Compression	5Fh	FM	10 kHz	15 kHz

(1) L+R and L-R must not exceed 50 kHz

Sound Carrier Frequency Offset Recovery: IF Carrier frequency can be adjusted with register [CAROFFSET1](#) within a large range (up to 120 kHz) while the Automatic Standard Recognition System remains active. The frequency offset estimation is written in registers DEMOD_DC_LEVEL and can be used to implement the Automatic Frequency Control (AFC) via an external I²C control.

Manual Mode: If required, the Automatic Standard Recognition System system can be disabled (Manual mode) and the user can control all registers including those only controlled by the Automatic Standard Recognition System function when active. Manual mode is selected in register AUTOSTD_CTRL by setting to 0 bits SAP_CHECK, STEREO_CHECK and MONO_CHECK.

4 Dedicated Digital Signal Processor (DSP)

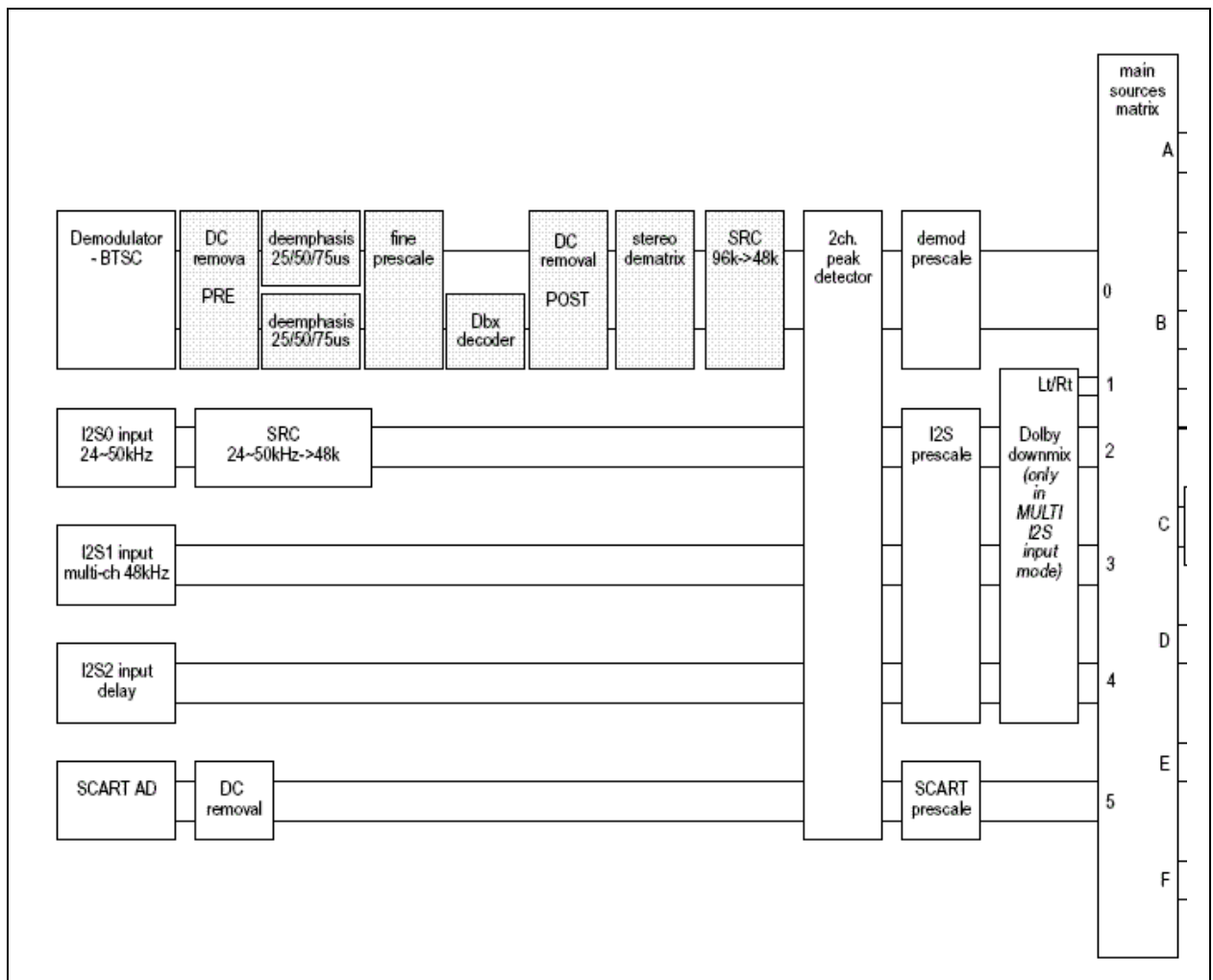
A dedicated Digital Signal Processor (DSP) takes charge of all audio processing features and the low frequency signal processing features of the demodulator. The internal 24-bit architecture will ensure a high quality signal treatment and an excellent dynamic.

4.1 Back-end Processing

The “back-end” processing corresponds to the low frequency signal processing (32 kHz or higher frequencies) of the demodulator and other inputs (I²S, ADC).

Figure 11 shows a flowchart of the back-end processing tasks. However, the figure shows that the processing is only a SINGLE SOURCE PROCESSING flow (no processing is possible with “Demod + SCART” and I²S inputs simultaneously) and that the selection of a headphone output restricts the loudspeakers configuration to 2.1 instead of 5.1.

Figure 11: Back-end Audio Processing



The main features depend on the path:

- FM Channel
 - DC Removal
 - Prescaling
 - De-emphasis (50 or 75 us)
 - Stereo Dematrix
- Input SCART Channel
 - DC Removal
 - Prescaling
- Input I²S Channel
 - I²S Prescaling
- Digital Audio Matrix
 - Audio Channel Multiplexer between the different sources (IF, I²S, SCART) towards all outputs (S/PDIF, LS, HP or SCART).
- Autostandard management
 - device configuration depending on the standard to be detected
 - freeze the device when a standard is detected
 - once a standard detected, check that there is no change in the detection status
 - set the correct action depending on any change in the detection status (mono backup or mute setup and new standard detection)
- SCART
 - Downmixing: L_T / R_T or L₀ / R₀ (see AC-3 specification)
 - Soft Mute

4.2 Audio Processing

The following software is provided for main loudspeakers (L, R, C, L_S, R_S, SubW):

- Downmix
- Dolby® Pro Logic II® Decoder (L_T, R_T → L, R, C, L_S, R_S, SubW) with Bass Management
- ST WideSurround, ST OmniSurround, SRS® WOW™ or SRS® TruSurround XT® (certified Virtual Dolby® Surround and Virtual Dolby® Digital)
- ST Dynamic Bass and ST Bass Enhancer
- Smart Volume Control (SVC)
- 5-band Equalizer or Bass-Treble
- Loudness
- Volume with independent channels (Smooth Volume Control)
- Master Volume Control
- Mute/soft-mute
- Balance
- Beeper
- Pink Noise Generator (used to position the loudspeakers)
- Programmable Delay for each loudspeaker
- Adjustable Delay for “lip sync” up to 120 ms (to compensate for audio/video latency)

The following software is provided for the headphone or auxiliary output:

- Downmix
- SRS® TruBass™
- ST Dynamic Bass
- Smart Volume Control (SVC)
- Bass/Treble
- Loudness
- Independent Volume for each channel (Smooth Volume Control)
- Soft Mute
- Balance
- Beeper
- Adjustable Delay for “lip sync” feature up to 120 ms (to compensate for audio/video latency)

The following software is provided for SCART or S/PDIF outputs:

- Downmix
- Soft Mute

normal home use. The ST WideSurround system exploits a method of phase shifting to achieve a similar result using only two speakers. It restores spatiality by adding artificial phase differences.

The Surround/Pseudo-stereo mode is automatically selected by the Automatic Standard Recognition System (Autostandard) depending on the detected stereo or mono source. By default, “Movie” is selected for Surround mode. This value may be changed to “Music” by the WIDESRND_MODE bit in the [WIDESRND_CONTROL](#) register.

Additional user controls are provided to better adapt the spatial effect to the source. The ST WideSurround Gain ([WIDESRND_LEVEL](#)) and ST WideSurround Frequency ([WIDESRND_FREQ](#)) registers can be used to enhance Music Predominancy in Music mode and Theater effect and Voice Predominancy in Movie mode.

4.4 ST OmniSurround

STV82x8 offers a spatial virtualizer to output any multi-channel input in stereo on the Loudspeakers path.

“ST OmniSurround” will recreate a multi-channel spatial sound environment using only the Left and Right front speakers. It can be adapted to any input configuration (OMNISRND_INPUT_MODE).

ST Voice will allow you to enhance the voice content of your program to increase the intelligibility and the presence of the sound.

4.5 Dolby Pro Logic II Decoder

Dolby® Pro Logic II® is a matrix decoder that decodes the five channels of surround sound that have been encoded onto the stereo sound tracks of Dolby® Surround program material such as DVD movies and TV shows.

It is even possible to decode standard stereo signals like music or non encoded movies. Furthermore, it is an active process designed to enhance sound localization through the use of very high-separation decoding techniques.

The Dolby® Pro Logic II® decoder is also able to emulate the former Dolby® Pro Logic® decoder in a specific mode.

4.6 Bass Management

This processing will generate the subwoofer signal and adjust all loudspeakers channels gain and bandwidth.

Speakers capable of reproducing the entire frequency range will be referred to as “full range speakers”, then signals sent to full range speaker will be full bandwidth (no filtering).

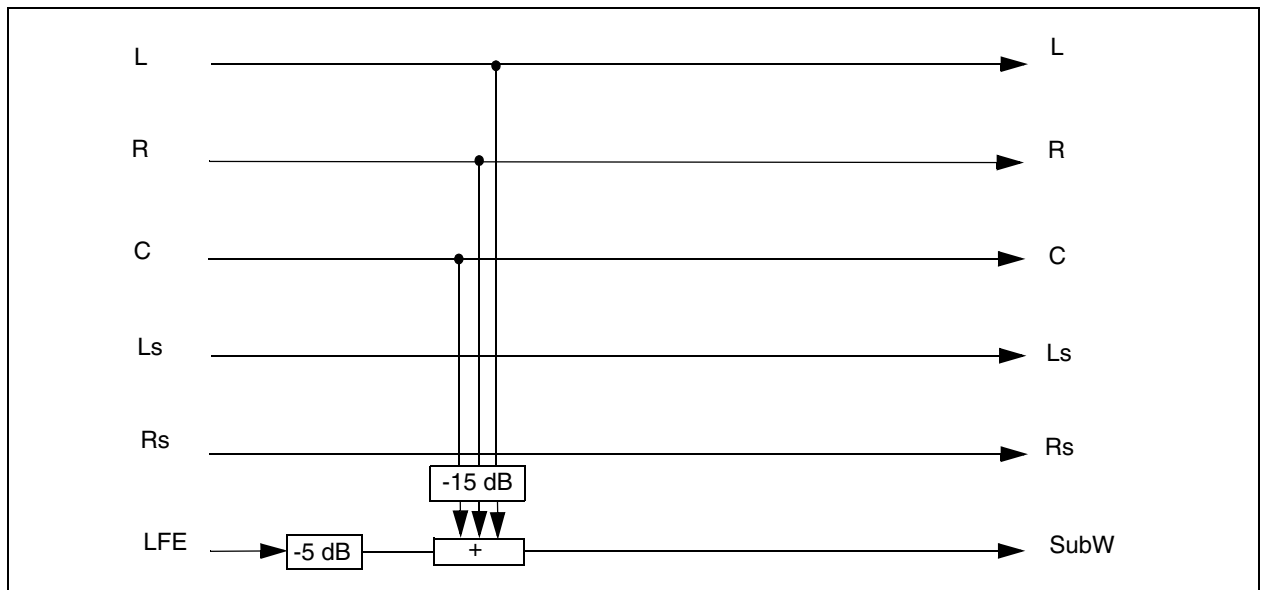
Speakers that have limited bass handling capabilities will be referred to as “satellite speakers”, then signals sent to satellite speaker will be high-pass filtered to remove bass information below 100 Hz.

In the STV82x8, five output configuration modes have been implemented according to “Dolby Digital Consumer Decoder” specifications. They are described below.

4.6.1 Bass Management Configuration 0

In some cases, the bass management filters are available in the decoder itself, so there is no need to reproduce these filters. The output configuration shown in [Figure 13](#) offers this possibility.

Figure 13: Bass Management Configuration 0 (with Pro Logic switch indicating its reset state)

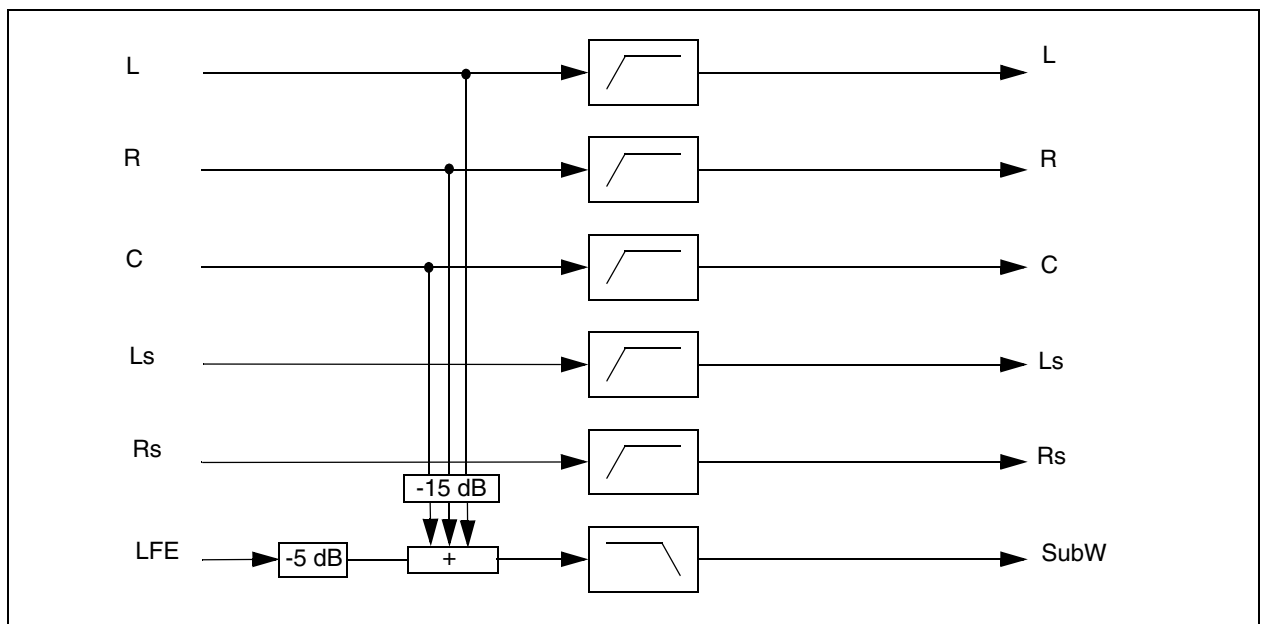


4.6.2 Bass Management Configuration 1

Configuration 1, shown in [Figure 14](#), assumes that all five speakers are not full range and that all of the bass information will be redirected to and reproduced by a single subwoofer. This configuration is intended for use with 5 satellite speakers.

To prevent signal overload, the five main channels are attenuated by 15 dB, while the LFE channel is attenuated by 5dB to maintain the proper mixing ratio.

Figure 14: Bass Management Configuration 1 (with Pro Logic switch indicating its reset state)

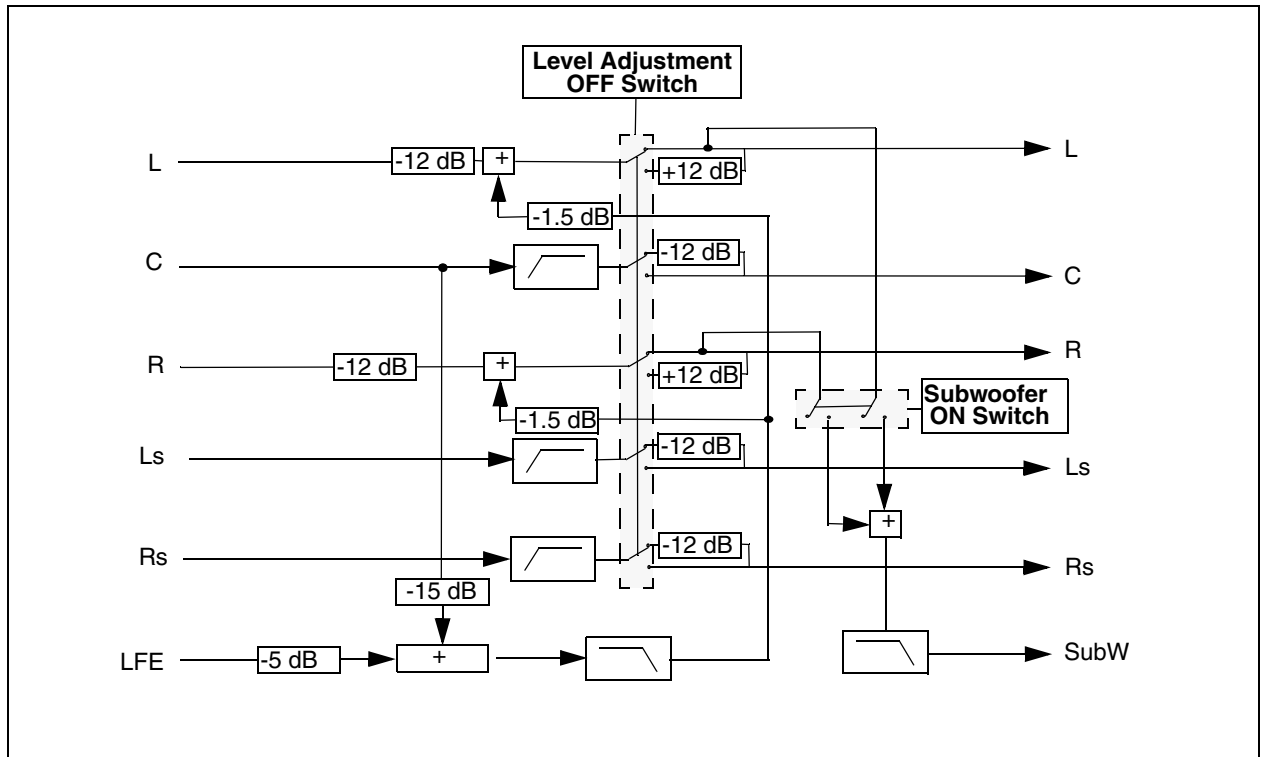


4.6.3 Bass Management Configuration 2

Configuration 2 assumes that the left and right speakers, are full range while the center and surround speakers are smaller speakers. Also, all bass data is redirected to the left and right speakers.

This configuration include output level adjustment that allows 12 dB attenuation for the 3 smaller speakers (C, Ls, Rs). When the level adjustment will be disabled the decoder boosts by 12 dB the full range speakers (Left, Right).

Figure 15: Bass Management Configuration 2 (all switches indicate their reset state)

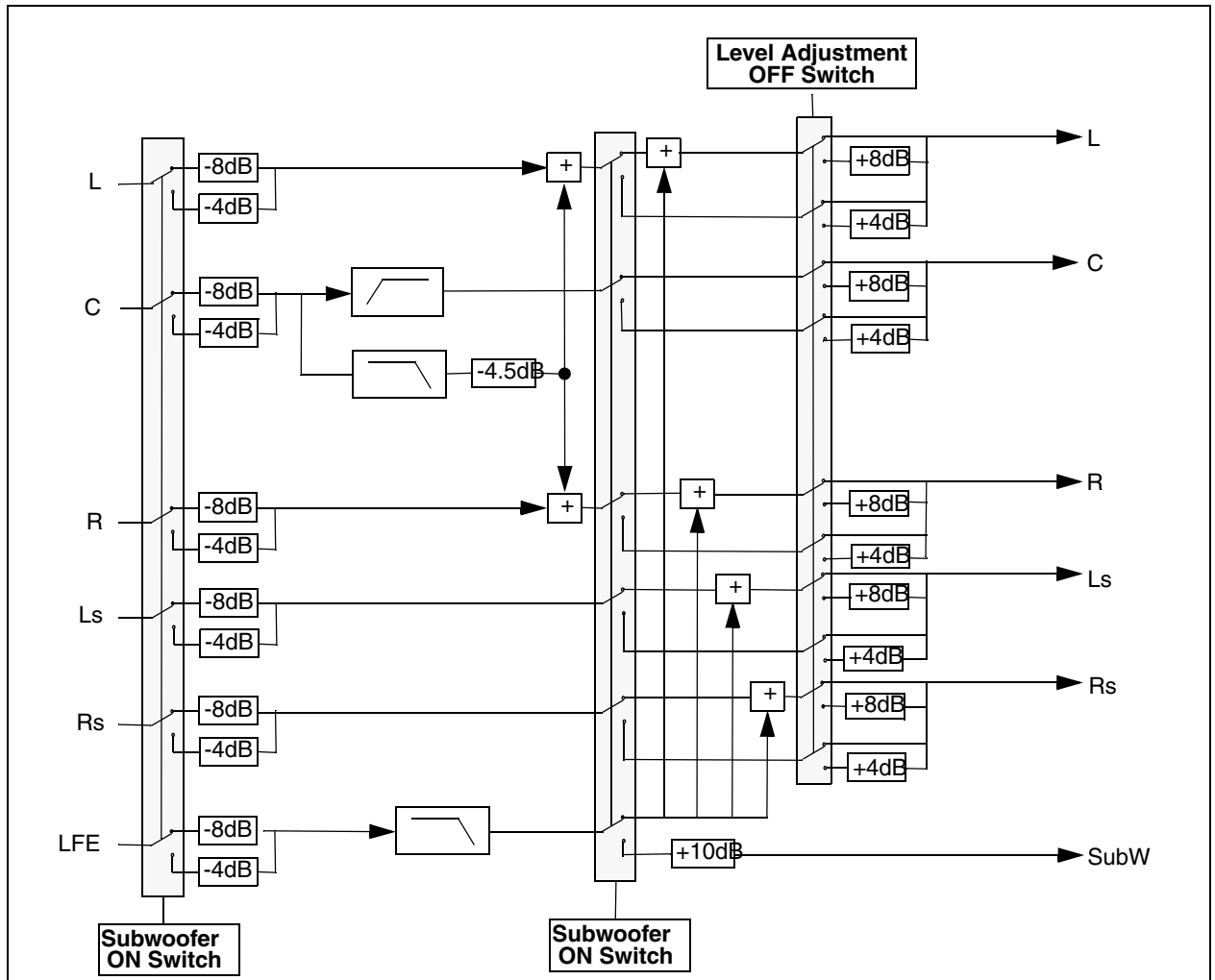


4.6.4 Bass Management Configuration 3

The third configuration, shown in Figure 16, assumes that all speakers except the center are full range, then all bass information will be directed to and reproduced by the front left and front right and both surround speakers. In order to provide more flexibility to this configuration, a switch will offer an option which will produce a subwoofer channel by the LFE channel.

When the Subwoofer Switch is OFF, the input channels will be attenuated by 8 dB. Configuration 3 is required in certain high-end products.

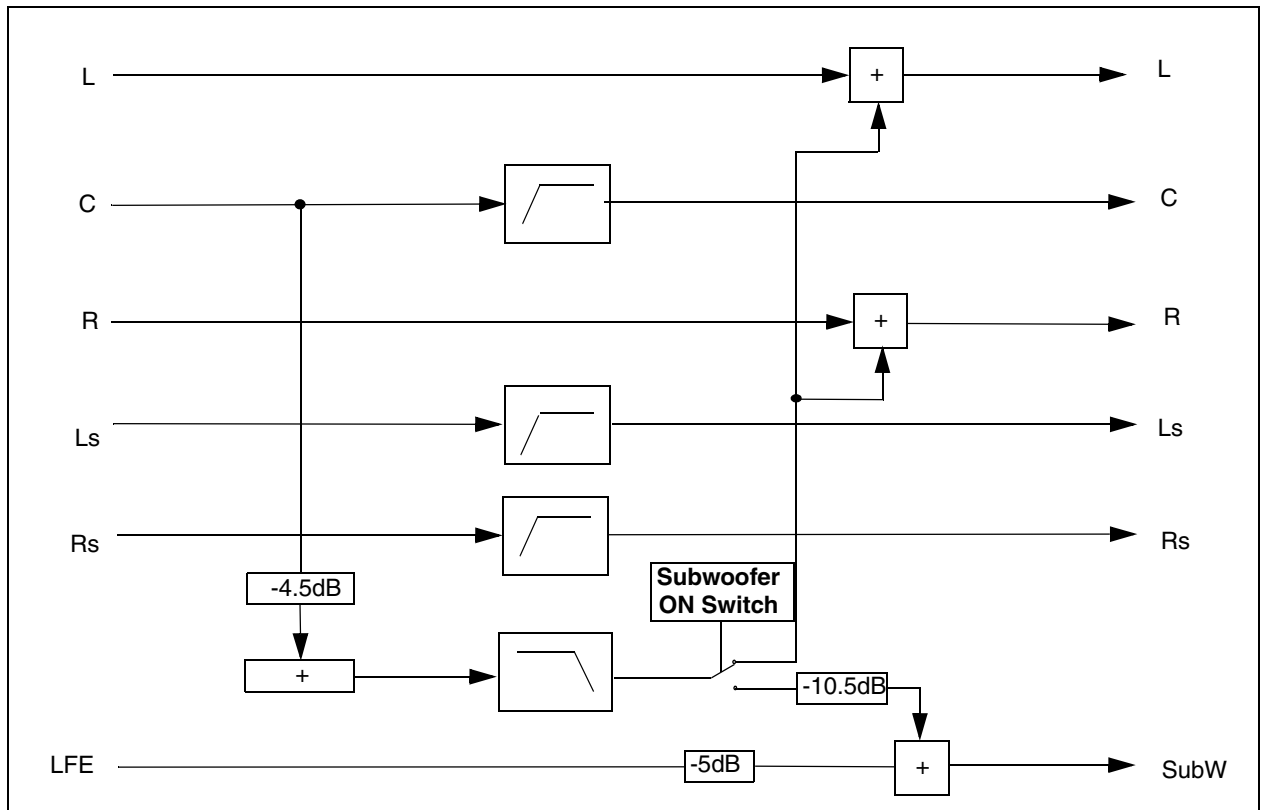
Figure 16: Bass Management Configuration 3 (all switches indicate their reset state)



4.6.5 Bass Management Configuration 4

This configuration implements the Simplified Dolby configuration. The center, left surround and right surround channels are summed and then filtered by the LPF. The composite bass information is either summed back into the left and right channels or summed with the LFE channel and sent to the subwoofer output, see Figure 17.

Figure 17: Implementation of the Bass Management Configuration 4 (Simplified Configuration)



4.7 SRS WOW and TruSurround XT

The SRS® TruSurround XT™ is a processing system that can accept from 1 to 6 channels on input and that will generate a 2-channel output signal.

This processing system includes the latest SRS® algorithms:

- SRS® WOW™
- SRS® TruSurround® (Multi-channel signal virtualizer)

4.7.1 SRS TruSurround

The SRS® TruSurround® is a processing that can accept from 2 to 5 channels on input and that will generate a 2-channel output signal.

SRS® TruSurround® uses Head-Related Transfer Function (HRTF) -based frequency tailoring of (L/R) difference signals to extend the sound image out past the physical boundaries of the speaker placements to surround channel information. These rear channel HRTF curves have much greater peak to valley differences at center frequencies. These were chosen to cause rear channel difference signals to virtualize farther behind the listener and directed to a different virtual position as compared to front channel signals. Information that is equal (L+R) in the rear surround channels

is processed by an identical HRTF curve but mixed in at a much lower amount. This HRTF processing of equal (L/R) signals was again used to virtualize information to the rear of the listener.

The SRS® TruSurround® is certified by Dolby Laboratories to be a Virtual Dolby® Digital and Virtual Dolby® Surround.

4.7.2 SRS WOW

The SRS® WOW™ is an a sound processing system including:

- SRS® 3D Mono/Stereo™
- SRS® Dialog Clarity™
- SRS® TruBass™

4.7.2.1 SRS 3D Mono/Stereo

This system is used to create a pseudo-stereo signal for mono inputs or a three-dimensional spatial signal for stereo inputs.

4.7.2.2 SRS Dialog Clarity

This system is used to enhance dialog perception.

4.7.2.3 SRS TruBass

The SRS® TruBass™ audio enhancement technology provides deep, rich bass to small speaker systems without the need for a subwoofer or additional extra physical components. For systems with a subwoofer, TruBass™ complements and enhances bass performance. Psycho-acoustically, when the human ear is presented with a low frequency sound signal that is missing the fundamental harmonic, it will fill in the fundamental frequency based on the higher harmonics that are present. By accentuating the second and higher frequency harmonics of the bass portion of a signal, TruBass™ gives the perception of greatly improved bass response.

SRS® TruBass™ is implemented on loudspeakers path, headphone path or on both in parallel.

4.8 Smart Volume Control (SVC)

The Smart Volume Control regulates the audio signal level before audio processing. This regulation is necessary in order for the signal level to be independent from the source (terrestrial channels, I2S or SCART), its modulation (FM) and annoying volume changes (advertising, etc.). The Smart Volume Control works as an audio compressor/expander; i.e. when the input signal exceeds the threshold level, a very rapid attenuation (-2 dB/ms) is applied to rescale the signal down to the threshold value. When the input signal is below the threshold level, the previous attenuation is reduced slowly in order to retrieve the original input level (0dB gain). If the input signal is too low, an addition gain of 6 dB can be provided.

To personalize the action of the SVC, five parameters are available:

1. Threshold: Maximum quasi-peak level that can be expected on output
2. Peak measurement mode: Select the channel on which the peak measurement must be performed (Left, Right, Center...)
3. Release time: Gain slope applied to the amplification phase
4. Expander switch: To allow a +6dB amplification of small signals in order to reduce the output dynamic range
5. Make up gain: Allows compensation of the signal amplitude limitation thanks to a 0 to 24 dB adjustable gain.

The SVC is implemented on the loudspeakers path, headphone path or on both in parallel (independent settings). Also, the SVC can be applied in six-channel mode (L, R, L_S, R_S, C and SubW).

4.9 ST Dynamic Bass/ST Bass Enhancer

STV82x8 offers dynamic bass boost processing on the Loudspeakers path:

ST Dynamic Bass is a bass boost process that can dramatically increase the bass content of any program without any output level saturation.

3 cutoff frequencies (BASS_FREQ) can be chosen, 100 Hz, 150 Hz and 200 Hz to adapt the effect to your loudspeakers. The amount of bass (BASS_LEVEL) can also be fine tuned in order to adapt the effect loudness.

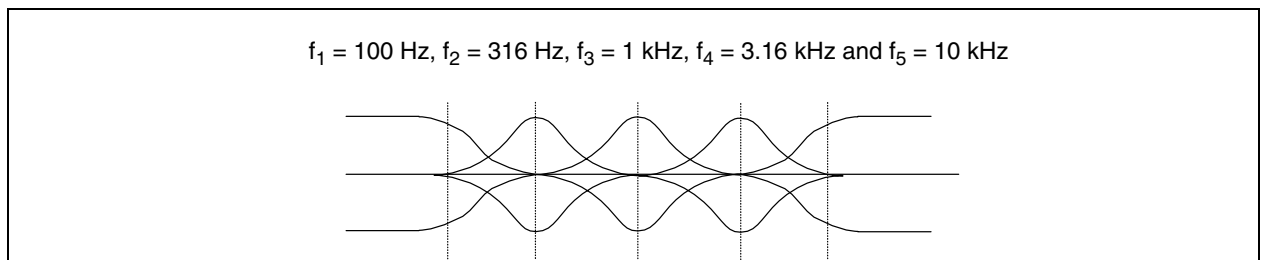
4.10 5-Band Audio Equalizer

The loudspeakers audio spectrum is split into 5 frequency bands and the gain of each of band can be adjusted within a range from -12 dB to +12 dB in steps of 0.25 dB. The Audio Equalizer may be used to pre-define frequency band enhancement features dedicated to various kinds of music or to attenuate frequency resonances of loudspeakers or the listening environment. The Equalizer is enabled by the LS_EQ_ON bit in the EQ_BT_CTRL register. The gain value for Band X is programmed in register LS_EQ_BANDX.

The 5-Band Audio Equalizer is exclusive with Bass-Treble control. Bit LS_EQ_BT_SW in register EQ_BT_CTRL is used to select either the 5-Band Audio Equalizer or the Bass-Treble control for the Loudspeakers path.

Depending on the LS Equalizer or LS Bass-Treble value, the volume level can be clamped to the LS output to prevent any possible signal clipping from occurring using the ANTICLIP_LS_VOL_CLAMP bit in the VOLUME_MODES (D7h) register.

Figure 18: Equalizer



4.11 Bass/Treble Control

The gain of bass and treble frequency bands for Headphone can be also tuned within a range from -12 dB to +12 dB in steps of 0.25 dB. It may be used to pre-define frequency band enhancement features dedicated to various kinds of music. The Headphone Bass/Treble feature is enabled by setting the HP_BT_ON bit in the EQ_BT_CTRL register. The Bass and Treble gain values are adjusted in registers HP_BASS_GAIN and HP_TREBLE_GAIN, respectively.

Depending on the HP Bass-Treble value, the volume level can be clamped to the HP output to prevent any possible signal clipping from occurring using the ANTICLIP_HP_VOL_CLAMP bit in the VOLUME_MODES (D7h) register.

4.12 Automatic Loudness Control

As the human ear does not hear the audio frequency range the same way depending on the power of the audio source, the Loudness Control corrects this effect by sensing the volume level and then boosting bass and treble frequencies proportionally to middle frequencies at lower volume.

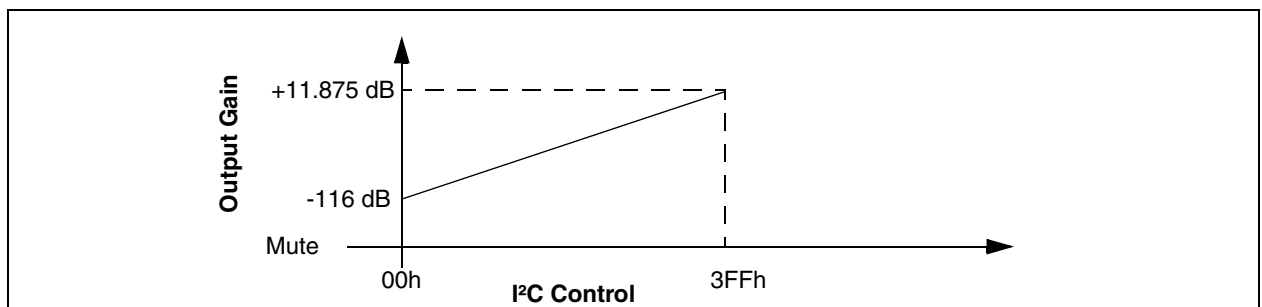
While maintaining the amplitude of the 1 kHz components at an approximately constant value, the gain values of lower and higher frequencies are automatically progressively amplified up to +18 dB when the audio volume level decreases. The maximum treble amplification can be adjusted from 0 dB (first order loudness) to +18 dB (second order loudness) in steps of 0.125 dB. As the volume is proportional to the external audio amplification power, the loudness amplification threshold is programmable in order to tune the absolute level. The Loudspeakers Loudness function is enabled by setting the LS_LOUD_ON bit in register [LS_LOUDNESS](#). The Loudspeakers Loudness Threshold and Maximum Treble Gain values are also programmed in this register. The Headphone Loudness function is enabled by setting the HP_LOUD_ON bit in register [HP_LOUDNESS](#). The Headphone Loudness Threshold and Maximum Treble Gain values are also programmed in this register.

The loudness cut-off frequency is 100 Hz.

4.13 Volume/Balance Control

The STV82x8 provides a Volume/Balance Control for all output channels configuration (except for S/PDIF) with different volume level per channel (L, R, C, L_S, R_S, SubW, SCART). Its wide range (from +11.875 to -116 dB, in a dB linear scale with a 0.125 dB step) largely covers typical home applications (approx. 60 dB) while maintaining a good S/N ratio.

Figure 19: Volume Control



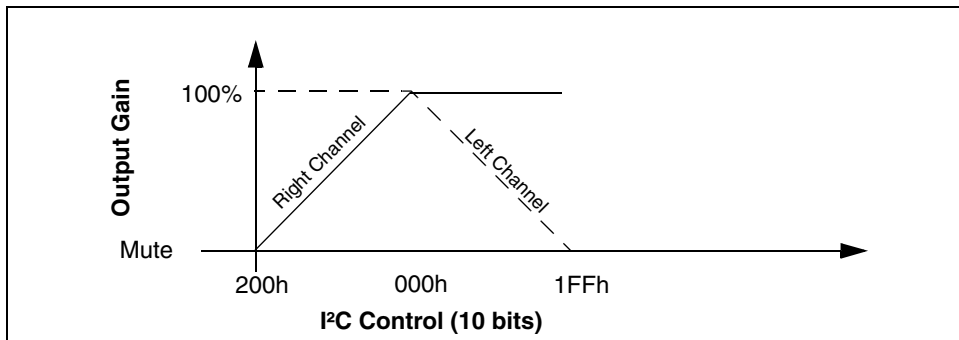
An extra Master Volume Control can apply an extra gain/attenuation on L, R, C, L_S, R_S and SubW channels.

The Volume/Balance Control can operate in one of two different modes:

- In **Differential mode** (default value), the volume control is a common volume value for both the Left and Right Loudspeakers or Headphone channels (see [Figure 19](#)) and complimentary balance control is used (see [Figure 20](#)).

- In **Independent mode**, the volume for the Left and Right channels for Loudspeakers or Headphone is controlled independently.

Figure 20: Differential Balance



4.14 Soft Mute Control

The Digital Soft Mute is applied smoothly (20 ms for 120 dB range) to avoid any switch noise on output. It is available on all output channels pairs:

- S/PDIF channel (Left/Right)
- SCART channels (Left/Right)
- Loudspeakers channels (Left/Right)
- Center
- Subwoofer
- Headphone/Surround channels (Left/Right)

Another soft mute (analog) is also available on each DAC output.

4.15 Beeper

The beeper is used to generate a tone on the Loudspeakers or/and Headphone outputs. The beeper sound (square wave) is added to the audio signal which is attenuated by 20 dB. The beep sound amplitude includes a smooth attack and decay to avoid any parasitic noise when starting and stopping.

It can be used for various applications such as beep sounds for remote control, alarm clock or other features.

The Beeper operates in one of two modes:

- **Pulse mode** (beep applications): A tone with a programmable short duration (0.1, 0.25, 0.5 and 1.0 s) is generated. Afterwards, the beeper is automatically disabled and the output is switched back to the audio signal, see [Figure 21](#).
- **Continuous mode** (alarm application): A tone with a programmable long duration is generated. Its start and stop controls must be programmed by I²C, see [Figure 22](#).

The Beeper function is enabled by setting the BEEPER_ON bit in register [BEEPER_ON](#).

Beeper parameters are controlled in register [BEEPER_MODE](#).

The beeper tone level and frequency are programmed in register [BEEPER_FREQ_VOL](#). The level (or volume) ranges between 0 dB and -93 dB in steps of 3 dB and the tone frequency ranges between 62.2 Hz and 8 kHz in steps of 1 octave.

A beep generator is shared only by the Loudspeakers or Headphone outputs. Therefore, in the event of simultaneous beeps when in Pulse mode, only the first beep will define the effective duration that will be the same for both outputs.

Figure 21: Pulse Mode

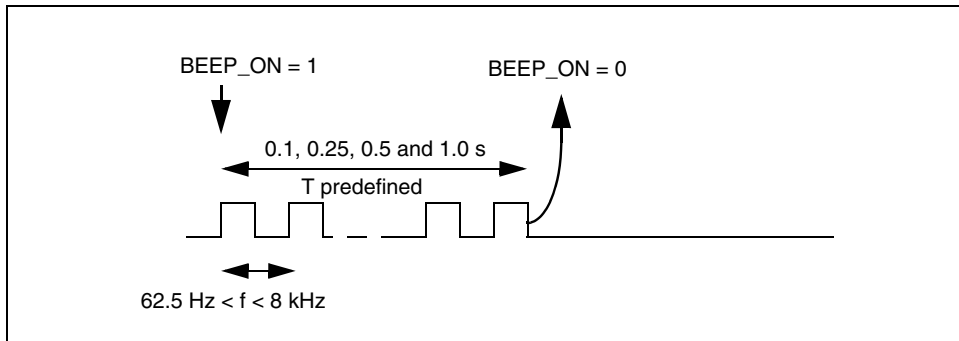
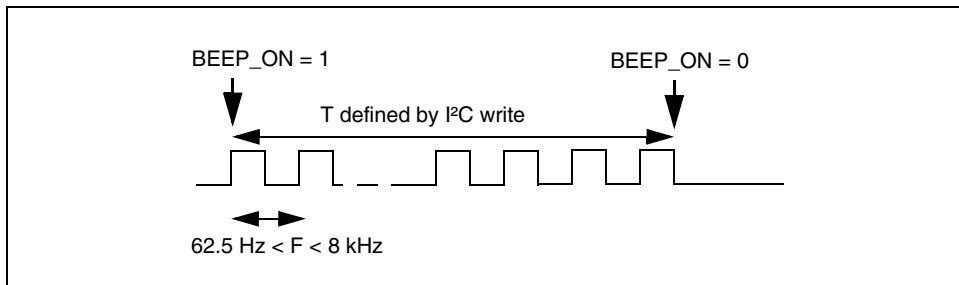


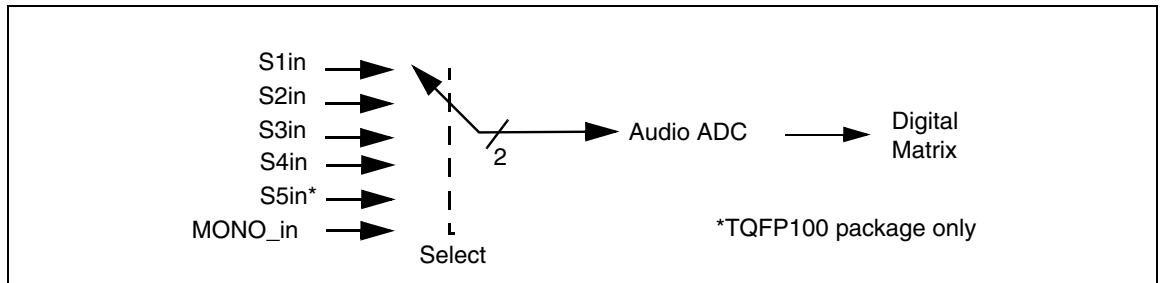
Figure 22: Continuous Mode



5 Analog Audio Matrix (Input / Output)

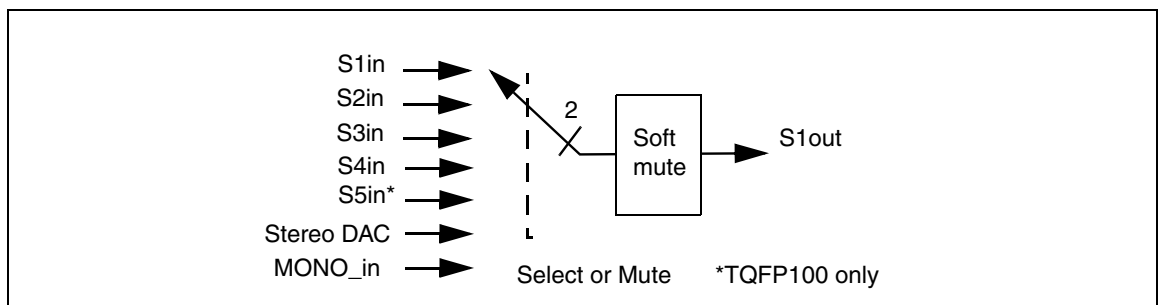
The analog part of the audio matrix can be divided into two parts: the SCART input matrix and the SCART output matrix.

Figure 23: SCART Input Matrix



The SCART input matrix is an input for the digital matrix (after the ADC) which select which source will be sent to the DSP.

Figure 24: SCART1/2/3 Output Matrix



The SCART output matrix selects the sound to output, which can be directly a SCART input or the output of the DSP. A mute function is provided to switch off the outputs.

A soft-mute function is provided to avoid all spurious sounds when switching from one position to another position.

The SCART 2 and 3 output matrices have the same functions as the SCART 1 output matrix.

The particularity of the matrix is to accept input signal of $2 V_{RMS}$ and to have the capability to output such level. In this case, the power supply must be 8 V.

The Mono audio input is able to accept signals with a $0.5 V_{RMS}$ amplitude.

6 I²S Interface (In / Out)

6.1 I²S Inputs

6.1.1 I²S Inputs in TQFP 80 Package

The STV82x8 can interface with a digital sound decoder. In this case, the digital data can be input at a speed of 0.384 Mbytes/s (3.072 MHz for a 48 kHz sampling frequency with 32 bits of data).

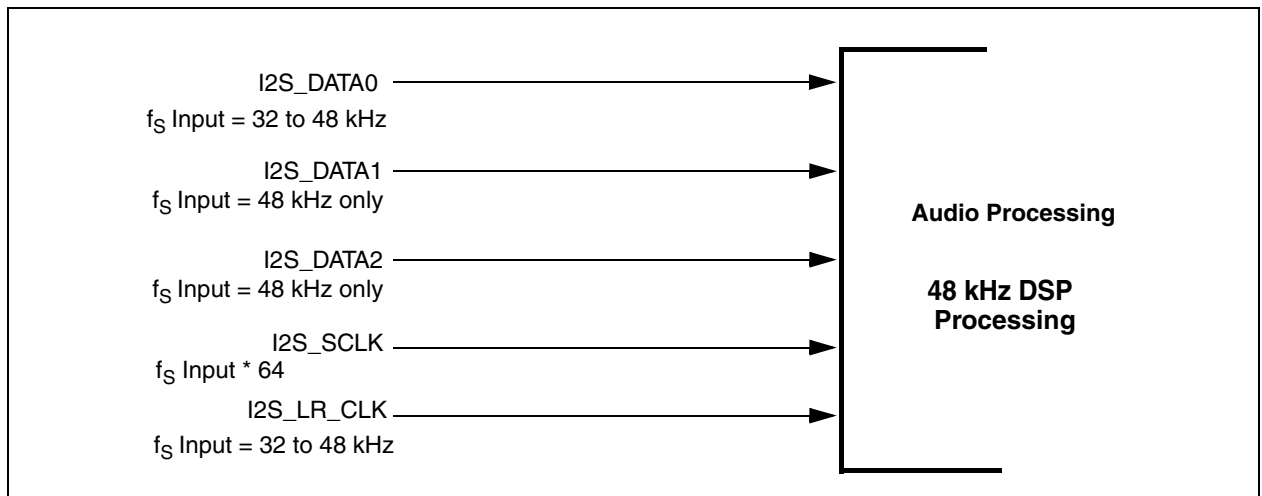
A Sample Rate Conversion (SRC) is necessary if input frequency is not 48 kHz (STV82x8 slave) in order to obtain a fixed frequency output from this block (48 kHz).

Note: The SRC function is only available in single I²S input mode.

The interface with one I²S connection (I2S_DATA0) enables the input of stereo or stereo-coded Dolby® Pro Logic®.

One interface with three I²S connections connected to the DSP enables the processing of a multi-channel signal (maximum of 6 channels).

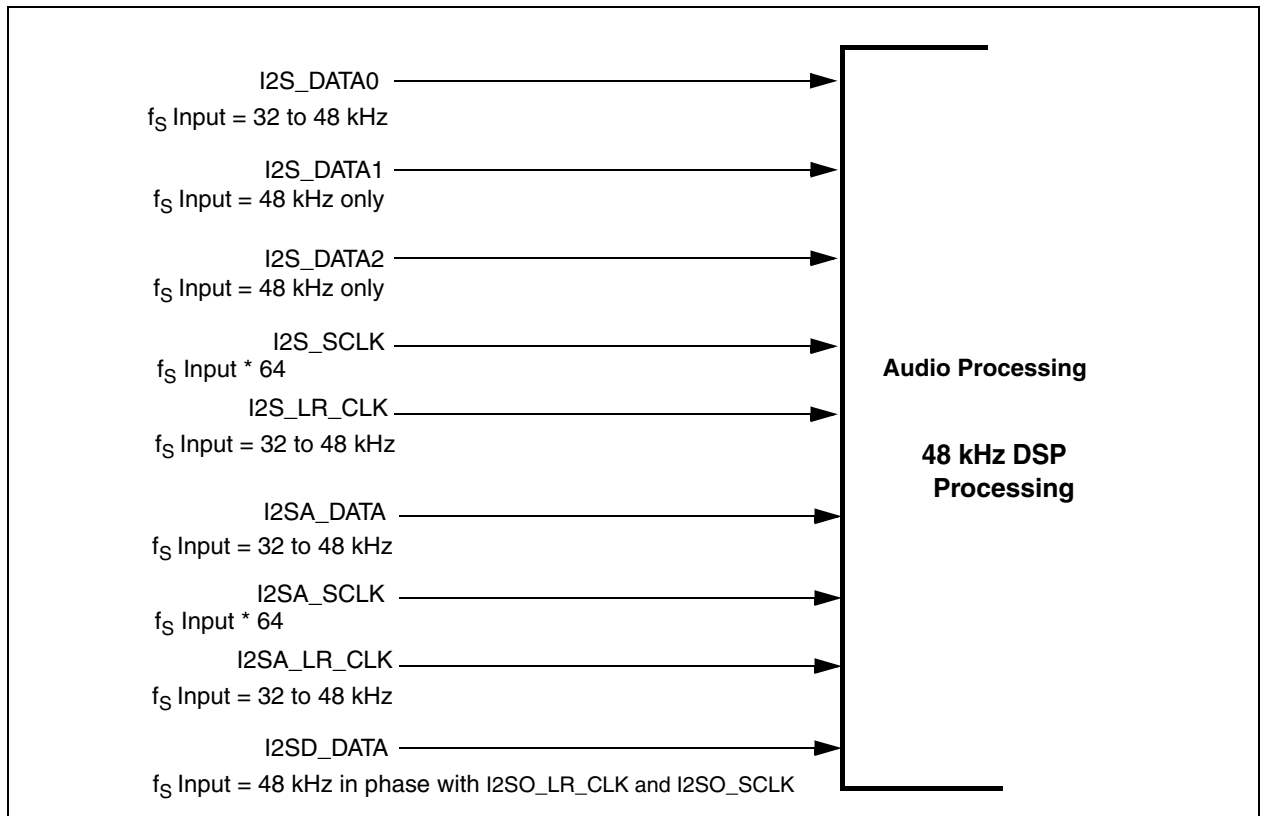
Figure 25: TQFP 80 I²S Input Block Diagram



6.1.2 I²S Inputs in TQFP 100 Package

An additional (auxiliary) asynchronous input is available in the TQFP100 package. An I2SD_DATA input for external delay is also available, but it must be in phase with the I²S output clocks.

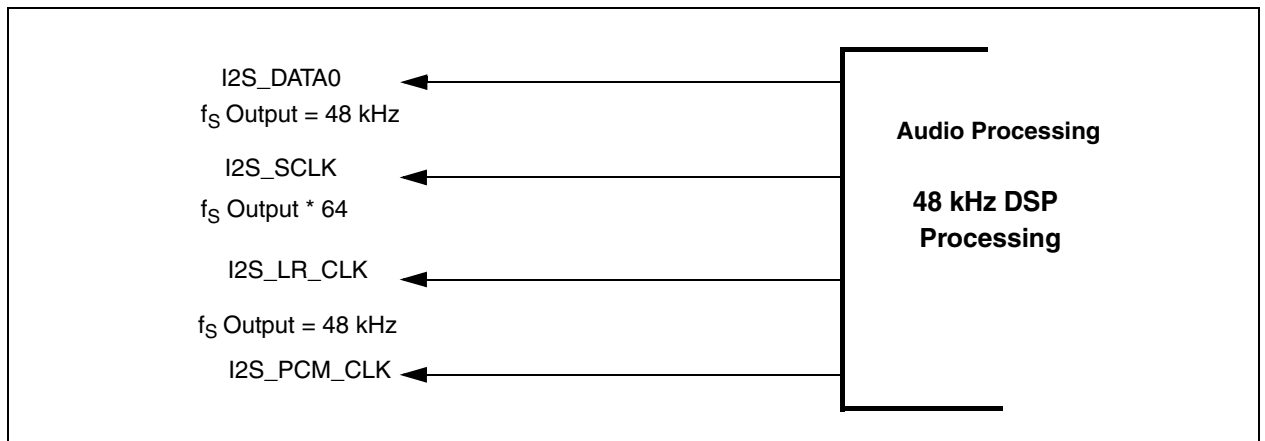
Figure 26: TQFP100 I²S Input Block Diagram



6.2 I²S Outputs

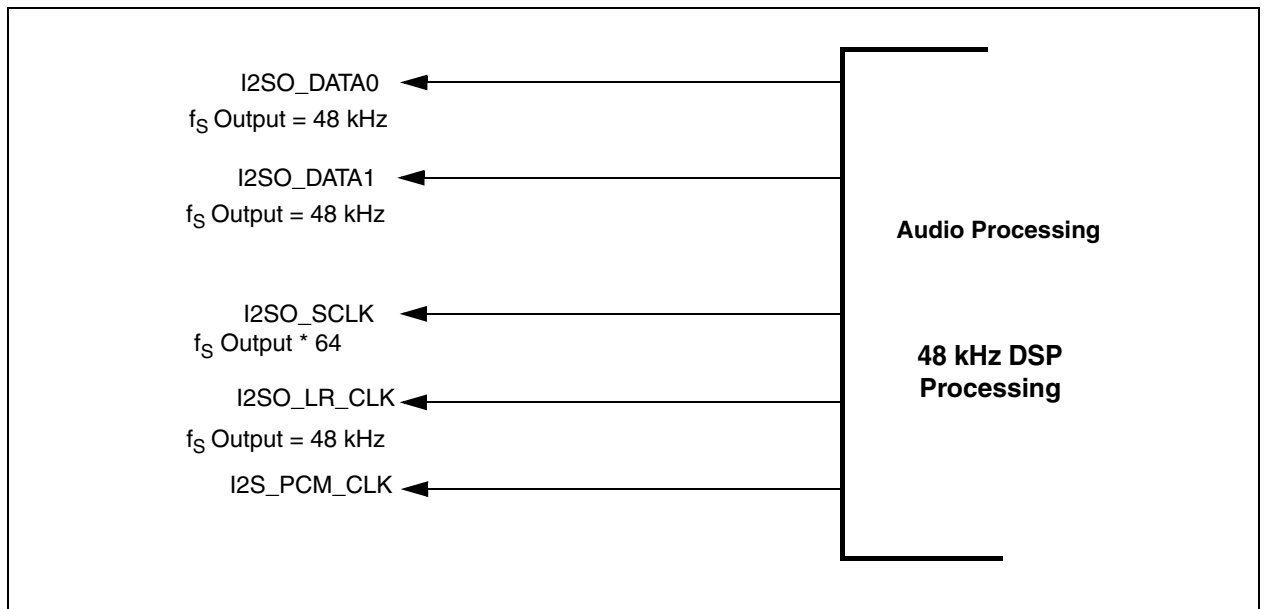
6.2.1 I²S Outputs in TQFP 80 Package

A digital stereo output (I²S compatible) is also available for routing the demodulated signal or a converted input audio signal to an external device. In this case, the I2S_DATA0 signal and all clock signals are set as outputs by setting bit D5 in register RESET to 1 (and bit D6 for the clocking). The STV82x8 drives the serial bus (I2S_SCLK, I2S_LR_CLK, and I²S_DATA0) in master mode in 64.fs format with a sampling frequency (f_s) of 48 kHz. The I2S_PCM_CLK signal can be used as a master clock for the slave interface, if required. Both standard and non-standard modes are available.

Figure 27: TQFP 80 I²S Output Block Diagram

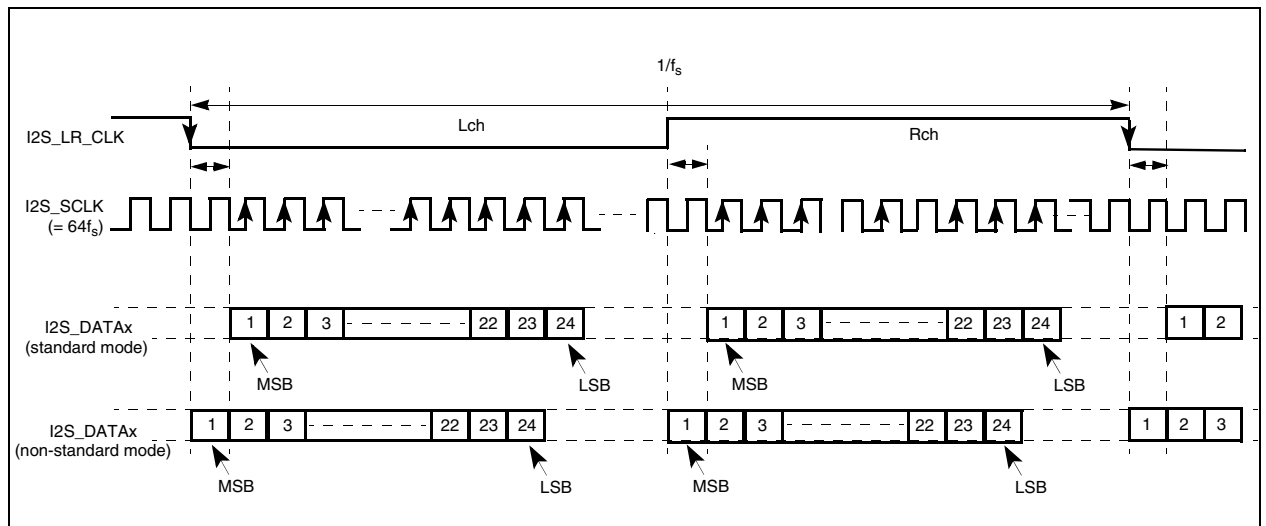
6.2.2 I²S Outputs in TQFP 100 Package

Two digital stereo outputs (I²S compatible) are available for routing the demodulated signal or a converted input audio signal to an external device or perform an external delay. In this case, the I2SO_DATA0 and I2SO_DATA1 signals are available with all I²S inputs active. The STV82x8 drives the serial bus (I2SO_SCLK, I2SO_LR_CLK, I2SO_DATA0, and I2SO_DATA1) in master mode in 64.fs format with a sampling frequency (f_s) of 48 kHz. The I2S_PCM_CLK signal can be used as a master clock if required for the slave interface. Both standard and non-standard modes are available. .

Figure 28: TQFP100 I²S Output Block Diagram

Note: The Input and Output modes for I²S are exclusive in the TQFP80 package.

Figure 29: I²S Data Format: Lch = LOW, Rch = HIGH (I²S Input or Output mode)



7 S/PDIF Input/Output

An S/PDIF output is available for connection with an external decoder/amplifier. An internal multiplexer allows selection of either the internal signal or the external signal connected on the S/PDIF input (for example, the signal provided by the external MPEG audio / Dolby Digital decoder). The outputted internal signal can be selected from:

- L/R
- C/Sub
- HP or Surround
- SCART

A Mute facility is also provided on the S/PDIF output.

8 Power Supply Management

A mixed supply voltage environment requires the following voltages:

- 3.3V capable inputs/outputs for digital pins;
- 1.8V digital core;
- 8V capable inputs/outputs for analog audio interfaces (capability to output $2 V_{RMS}$ for SCART requirements);
- 3.3V for stereo ADC and DAC (analog part);
- 1.8V for stereo ADC and DAC (digital part);
- 1.8V for IF ADC and AGC.

These voltages will be delivered by the application with an accuracy of $\pm 5\%$. For more information, refer to [Section 16.3: Power Supply Data](#).

Other specific DC voltages or features are provided:

- Voltage Reference and Biasing Generation (AGC, ADCs, DACs),
- Bandgap reference.

8.1 Standby Mode (Loop-through mode)

The STV82x8 provides a Loop-through mode configuration that bypasses IC functions via a SCART I/O pin (Full Analog Path only). In this case, only a minimum power of 200 mW is required.

In Standby mode, the digital and analog power supplies are switched off, except for pins VCC_H, VCC33_LS, VCC33_SC, and VCC_NISO which are used to maintain the SCART path with the last configuration programmed by analog matrixing (register [SCART1_2_OUTPUT_CTRL](#) and [SCART3_OUTPUT_CTRL](#)). When switching back to normal Full Power mode, all I²C registers are reset except for those used in Standby mode to maintain the original configuration.

In Standby mode, the I²C bus does not operate. However, the bus can still be used by other ICs since the I²C I/O pins (SDA and SCL) of the STV82x8 are forced into a high-impedance configuration.

9 Additional Controls and Flags

This logic contains:

- the headphone detection,
- the IRQ generation, signal to be output to the MCU,
- the I²C bus expander output pin.

9.1 Headphone Detection

For headphone, the $\overline{\text{HP_DET}}$ input can be used to automatically mute the Loudspeakers and Subwoofer outputs when the HP_LS_MUTE bit is set in register [HEADPHONE_CONFIG](#) (active low). When a headphone is detected (the $\overline{\text{HP_DET}}$ pin is set to 0) and the Mute function is enabled. Each change on the $\overline{\text{HP_DET}}$ pin generates an IRQ request to the microprocessor on the IRQ pin.

9.2 IRQ Generation

Four IRQs are generated by the STV82x8. On each IRQ generation, the IRQ pin is set to 1. The pending IRQ status must be read at the I²S address 81h and the acknowledge is done by writing 0 to this register.

The four availables IRQs are:

IRQ0: The identified TV sound standard is displayed in register [AUTOSTD_STATUS](#). Each change in the detected standard is flagged to the host system via hardware pin IRQ. The flag must be reset by re-programming the IRQ bit in register [AUTOSTD_CTRL](#) and then checking the detected standard status by reading registers [AUTOSTD_DEM_STATUS](#) and [AUTOSTD_TIME](#).

IRQ1: This IRQ is enabled only in digital input mode. In case of I²S synchronisation loss, this IRQ is set to 1.

IRQ2: This IRQ is set to 1 when the device detects any change on the HP Detection pin (Headphone connection or disconnection).

IRQ3: On the STV82x8, same pins are used for both Headphone and Surround loudspeaker signal output. A change in the Headphone configuration (HP active or not active) will lead to a signal switch on those hardware pins. In order to ensure a smooth audio transition, the output is soft muted before the signal is switched. The IRQ3 is then set to 1 to advise the master processor that the signal has been switched and to request a HP/Srnd Output Un-Mute.

9.3 I²C Bus Expander

Pin BUS_EXP can be used to control external switchable IF SAW filters or audio switches. This pin can be directly programmed by register [RESET](#).

10 STV82x8 Reset

All STV82x8 features are controlled via the I²C bus.

The STV82x8 can be "reset" in 2 ways:

1. By Software via the I²C bus: This clears all synchronous logic, except for the I²C bus registers.
2. By Hardware via the RESET pin: In addition to clearing all synchronous logic, the RESET input (active on the low level) resets all the I²C bus registers to the *default values* listed below.

Table 5: RESET Default Values

Function	Default Mode
Demodulation	
Auto-standard	OFF
Scanned Standards	M/N BTSC
Audio Outputs	
Automatic Mute Mode	ON
Loudspeaker Source	Demodulated Sound
Loudspeaker Volume	-40 dB, Differential Mode, Muted
Loudspeaker L/R Balance	L/R = 100%
Subwoofer	-40 dB / OFF
Headphone Source	Demodulated Sound
Headphone Automatic Detection	ON
Headphone Volume	-40 dB, Differential Mode, Muted
Headphone L/R Balance	L/R = 100%
SCART1 Output	Demodulated Sound
SCART2 Output	SCART1 Source
SCART3 Output	SCART2 Source
I ² S Output (TQFP 100)	Mute

11 I²C Interface

11.1 I²C Address and Protocol

The STV82x8 I²C interface works in Slave mode and is fully compliant with I²C standards in Fast mode (maximum frequency of 400 kHz). Two pairs of I²C chip addresses are used to connect two STV82x8 chips to the same I²C serial bus. The device address pairs are defined by the polarity of the ADR_SEL pin and are listed in the following table:

Table 6: I²C Read/Write Addresses

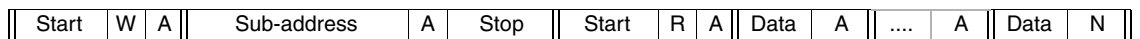
ADR	Write Address (W)	Read Address (R)
LOW (connected to GND1)	80h	81h
HIGH (connected to VDD1)	84h	85h

Protocol Description

- Write Protocol



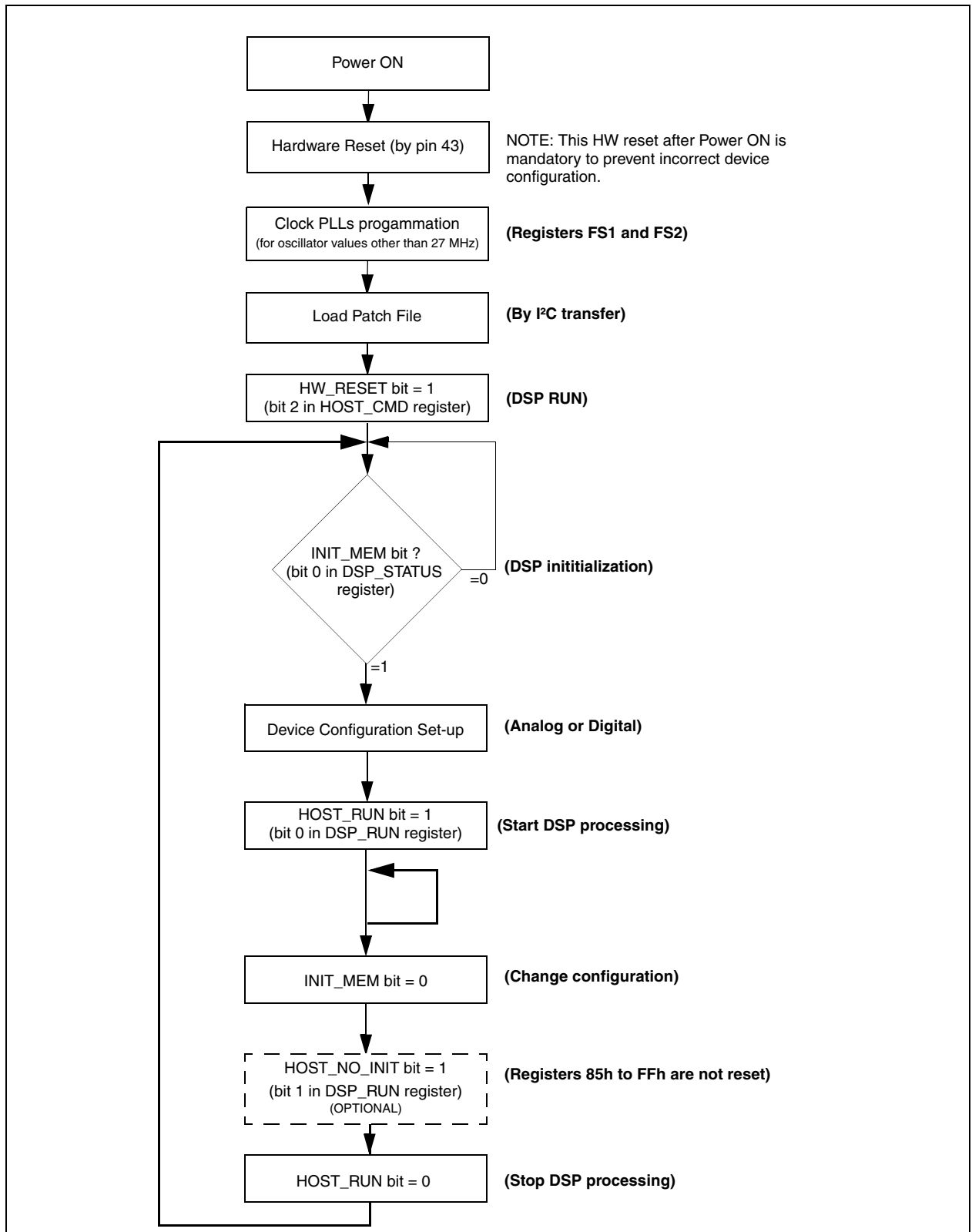
- Read Protocol



- W = Write address,
- R = Read address,
- A = Acknowledge,
- N = No acknowledge.
- Sub-address is the register address pointer; this value auto-increments for both write and read.

11.2 Start-up and Configuration Change Procedure

Figure 30: Flowchart



12 Register List

Note: The unused bits (defined as 'Reserved') in the I²C registers must be kept to zero.

The system clock registers (from address 08h to 0Bh and from address 5Ah to 5Dh) do not need to be modified if a standard 27 MHz crystal oscillator is used.

The default values of the demodulator registers (from address 0Ch to 55h) are for optimum performances and any change is not recommended, except for:

- [CAROFFSET1](#) (22h) to compensate IF carrier frequency with an out-of-standard offset.
- Soundlevel Prescaling [PRESCALE_DEMOD_MONO](#) (94h), [PRESCALE_DEMOD_STEREO](#) (95h), [PRESCALE_DEMOD_SAP](#) (96h), [PRESCALE_SCART](#) (97h), [PRESCALE_I2S0](#) (98H), [PRESCALE_I2S1](#) (99H), [PRESCALE_I2S2](#) (9AH) to equalize demodulated or external audio signal before audio processing.
- Peak detector registers [PEAK_DETECTOR](#) (9Bh), [PEAK_L](#) (9Ch), [PEAK_R](#) (9Dh), [PEAK_L_R](#) (9Eh) can be used to measure internal sound level.

Sound source selection for each audio output channel to be done using [AUDIO_MATRIX1](#) (A2h), [AUDIO_MATRIX2](#) (A3h) and [AUDIO_MATRIX3](#) (A4h).

Register [AUTOSTD_CTRL](#) (8Ah) is used to select the list of mono, stereo and SAP signals to be recognized automatically.

Note: (r) used in reset value column means that the bit or the byte is read-only.
(S) symbol indicates that the field value is represented in signed binary format.

12.1 I²C Register Map

By default, all I²C registers controlled by Automatic Standard Recognition System (Autostandard) are forced to Read-only mode for the user. These registers and bits are shaded in [Table 1](#).

Table 7: List of I²C Registers (Sheet 1 of 2)

Name	Ad.	Reset	Bit 7	Bit 6	Bit 5	Bit 4	Bit 3	Bit 2	Bit 1	Bit 0	
IC General Control											
CUT_ID	00h	(0000 0001)	0	0	CUT_NUMBER[5:0]						
RESET	01h	0000 0000	BUS_EXP	I2S_CO_EN	I2S_DO_EN	EN_STBY	CLOCK_DOWN	0	SOFT_LRST1	SOFT_RST	
I2S_CTRL	04h	0000 0001	I2S_PLL	SYNC_SIGN	I2S_SRC	LOCK_TH[1:0]		LOCK_MODE	SYNC_CST[1:0]		
I2S_STAT	05h	(0000 0000)	0	0	0	0	0	0	LR_OFF	LOCK_FLAG	
I2S_SYNC_OFFSET	06h	(0000 0000)	I ² S_SFO[7:0]								
Clocking 1											
SYS_CONFIG	07h	0000 1010	SYNC_PLL	OPEN_PLL	INPUT_FREQ[3:0]				BIT[1:0]		
FS1_DIV	08h	0001 0011	EN_PROG	0	NDIV1[1:0]		0	SDIV1[2:0]			
FS1_MD	09h	0001 0001	0	0	0	MD1[4:0]					
FS1_PE_H	0Ah	0011 0110	PE_H1[7:0]								
FS1_PE_L	0Bh	0000 0000	PE_L1[7:0]								
Demodulator											
DEMOD_CTRL	0Ch	0000 0001	0	0	0	0	0	DEMOD_MODE[2:0]			
DEMOD_STAT	0Dh	(0000 0000)	0	0	0	0	0	0	FM1_CAR	FM1_SQ	
AGC_CTRL	0Eh	0001 0001	0	0	IF_SELECT	AGC_REF[2:0]			AGC_CST[1:0]		
AGC_GAIN	0Fh	(0000 0000)	0	AGC_ERR[4:0]						SIG_OVER	SIG_UNDER
DC_ERR_IF	10h	(0000 0000)	DC_ERR[7:0]								
Demodulator Channel 1											
CARFQ1H	12h	0010 1110	CARFQ1[23:16]								
CARFQ1M	13h	1110 0000	CARFQ1[15:8]								
CARFQ1L	14h	0000 0000	CARFQ1[7:0]								
FIR1C0	15h	0000 0001	FIR1C0[7:0] (S)								
FIR1C1	16h	0000 0000	FIR1C1[7:0] (S)								
FIR1C2	17h	1111 1110	FIR1C2[7:0] (S)								
FIR1C3	18h	1111 1100	FIR1C3[7:0] (S)								
FIR1C4	19h	0000 0000	FIR1C4[7:0] (S)								
FIR1C5	1Ah	0000 1011	FIR1C5[7:0] (S)								
FIR1C6	1Bh	0001 1001	FIR1C6[7:0]6 (S)								
FIR1C7	1Ch	0010 0100	FIR1C7[7:0] (S)								
ACOEFF1	1Dh	0010 0010	ACOEFF1[7:0]								
BCOEFF1	1Eh	0000 1001	BCOEFF1[7:0]								
CRF1	1Fh	(0000 0000)	CRF1[7:0] (S)								
CETH1	20h	0010 0000	CETH1[7:0]								
SQTH1	21h	0011 1100	SQTH1[7:0]								
CAROFFSET1	22h	0000 0000	CAROFFSET1[7:0] (S)								
CHANNEL_GAIN	23h	0000 0010	0	0	0	0	0	0	CH_GAIN[1:0]		

Table 7: List of I²C Registers (Sheet 2 of 2)

Name	Ad.	Reset	Bit 7	Bit 6	Bit 5	Bit 4	Bit 3	Bit 2	Bit 1	Bit 0	
BTSC Stereo and SAP											
STEREO_CONF	43h	00111000	LOCK_TH_STE[7:4]			LOOP_GAIN[1:0]		FREQ_PIL	RESET		
STEREO_FSM_CONF	44h	00001110	0	0	BYPASS	FSM_OFF	GAIN_INI[2:0]			STE_DEM	
STEREO_LEVEL_H	45h	00100000	STE_LEV_H[7:0]								
STEREO_LEVEL_L	46h	00010000	STE_LEV_L[7:0]								
SAP_CONF	47h	00000000	0	0	0	0	0	0	0	SAP_SEL	
SAP_LEVEL_H	48h	00100000	SAP_LEV_H[7:0]								
SAP_LEVEL_L	49h	00010000	SAP_LEV_L[7:0]								
STE_CAR_LEVEL	4Ah	(00000000)	STE_CAR_LEV[7:0]								
STE_PLL_STATUS	4Bh	(00000000)	0	0	LOOP_GAIN[3:0]			OVER	LOCK_DET	STE_DET	
STEREO_SAP_STATUS	4Ch	(00000000)	0	OVER	LOCK_DET	STE_DET	0	0	SQ_DET	SAP_DET	
PLL_P_GAIN	4Dh	01101100	PLL_P_GAIN[7:0]								
PLL_I_GAIN	4Eh	0000011	0	0	0	0	PLL_I_GAIN[3:0]				
SAP_SQ_TH	4Fh	00110000	SAP_SQ_TH[7:0]								
Analog and I2S Out Control											
I2S_ADC_CTRL	56h	0000 1000	I2S_DATA0_CTRL			0	ADC_POWER_UP	ADC_INPUT_SEL[2:0]			
SCART1_2_OUTPUT_CTRL	57h	1010 1000	SC2_MUTE	SC2_OUTPUT_SEL[2:0]			SC1_MUTE	SC1_OUTPUT_SEL[2:0]			
SCART3_OUTPUT_CTRL	58h	0000 1011	0	0	0	0	SC3_MUTE	SC3_OUTPUT_SEL[2:0]			
I2SO_DATA_CTRL	59h	0000 0000	0	I2SO_DATA1_CTRL			0	I2SO_DATA0_CTRL			
Clocking 2											
FS2_DIV	5Ah	0001 0001	0	NDIV2[1:0]			0	SDIV2[2:0]			
FS2_MD	5Bh	0001 0001	0	0	0	MD2[4:0]					
FS2_PE_H	5Ch	0101 1100	PE_H2[7:0]								
FS2_PE_L	5Dh	0010 1001	PE_L2[7:0]								

12.2 Software Registers

Table 8: List of I²C Registers (Sheet 1 of 5)

Name	Addr.	Reset	Bit 7	Bit 6	Bit 5	Bit 4	Bit 3	Bit 2	Bit 1	Bit 0
DSP Control										
HOST_CMD	80h	0000 0000	IT_IN_DSP	0	0	0	0	HW_RESET	PATCH_WRITE_ENABLE	EMUL_SW
IRQ_STATUS	81h	0000 0000	IRQ7	IRQ6	IRQ5 (HP/Srnd unmute ready)	IRQ4 (HP detected)	IRQ3 (I2S SRC input freq change)	IRQ2 (I2S sync found)	IRQ1 (I2S sync lost)	IRQ0 (AutoStandard)
FW_VERSION	82h	(0000 0001)	SOFT_VERSION[7:0]							
ONCHIP_ALGO	83h	(0000 0000)	0	0	PROLOGIC_TYPE	MULTI_I2S_IN	TRUBASS	TRUSURROUND	PROLOGIC	MULTICHANNEL_OUT
DSP_STATUS	84h	0000 0000	0	0	0	0	0	0	0	INIT_MEM
DSP_RUN	85h	0000 0000	0	TEST_MODE_INPUT	TEST_MODE		INPUT_CONFIG		REGISTER_RESET	HOST_RUN
I2S_IN_CONFIG	86h	1000 1110	LOCK_MODE_EN	RESET_I2S	0	LRCLK_START	LRCLK_POLARITY	SCLK_POLARITY	DATA_CFG	I2S_MODE
I2S_IN_SHIFT_RIGHT	87h	0000 1000	0	0	0	SHIFT_RIGHT_RANGE				
I2S_IN_MASK	88h	0001 1111	0	0	0	WORD_MASK				
I2S_IN_STATUS	89h	1000 0(000)	AUTO_SRC_SYNC	ENABLE_IRQ_SRC_FREQ_CHANGE	ENABLE_IRQ_SYNC_FOUND	ENABLE_IRQ_SYNC_LOST	0	I2S_INPUT_FREQ		
Automatic Standard Detection										
AUTOSTD_CTRL	8Ah	0000 0000	SIHGLESHOT	MONO_SAP_MATRIX_CTRL	FORCE_SQ_SAP	FORCE_SQ_MONO	AUTO_MUTE	SAP_CHECK	STEREO_CHECK	MONO_CHECK
AUTOSTD_TIME	8Bh	0000 1010	0	0	0	STEREO_TIME			FM_TIME	
AUTOSTD_STATUS	8Ch	(0000 0000)	0	0	0	0	SAP_OK	STEREO_OK	MONO_OK	AUTOSTD_ON
AUTOSTD_DEM_STATU S	8Dh	(0000 0000)	0	OVERFLOW	LCK_DET	ST_DET	SAP_SQ	SAP_DET	FM1_CAR	FM1_SQ
DMA_FORCE_OFF	8Eh	0000 0000	0	0	0	ADC	I2S2	I2S1	I2S0	DEMODO
I2S_IN_DELAY_CONFIG	8Fh	0000 0111	0	0	SYNC	LRCLK_START	LRCLK_POLARITY	SCLK_POLARITY	DATA_CFG	I2S_MODE
Demodulator										
BTSC_FINE_PRESCALE_ST	90h	0000 0000	BTSC_FINE_PRESCALE_ST[7:0] (S)							
BTSC_FINE_PRESCALE_SAP	91h	0000 0000	BTSC_FINE_PRESCALE_SAP[7:0] (S)							
BTSC_CONTROL	92h	0010 0000	FINE_PRESCALE_SELECT_SAP	DBX_DEMATRIX		DBX_ON	DEEMPHASIS_CH1		DEEMPHASIS_CH0	
DCREMOVAL	93h	0011 0111	0	0	DBX_FILTER_SELECT	DEEMPHASIS_FILTER_SELECT	0	DC_DEMOD_POST_ON	DC_DEMOD_PRE_ON	DC_SCART_ON
Audio Preprocessing & Selection										
PRESCALE_DEMOD_MONO	94h	0000 0000	PRESCALE_DEMOD_SELECT_SAP	PRESCALE_DEMOD_MONO[6:0] (S)						
PRESCALE_DEMOD_STEREO	95h	0000 0000	0	PRESCALE_DEMOD_STEREO[6:0] (S)						
PRESCALE_DEMOD_SAP	96h	0000 0000	0	PRESCALE_DEMOD_SAP[6:0] (S)						
PRESCALE_SCART	97h	0000 0000	0	PRESCALE_SCART[6:0] (S)						

Table 8: List of I²C Registers (Sheet 2 of 5)

Name	Addr.	Reset	Bit 7	Bit 6	Bit 5	Bit 4	Bit 3	Bit 2	Bit 1	Bit 0
PRESCALE_I2S0	98h	0000 0000	0	PRESCALE_I2S0[6:0] (S)						
PRESCALE_I2S1	99h	0000 0000	0	PRESCALE_I2S1[6:0] (S)						
PRESCALE_I2S2	9Ah	0000 0000	0	PRESCALE_I2S2[6:0] (S)						
PEAK_DETECTOR	9Bh	0000 0000	0	PEAK_L_R_RANGE[2:0]		PEAK_DET_INPUT[2:0]			PEAK_DET ECTOR_ON	
PEAK_L	9Ch	0(000 0000)	OVERLOAD _L	PEAK_L[6:0]						
PEAK_R	9Dh	0(000 0000)	OVERLOAD _R	PEAK_R[6:0]						
PEAK_L_R	9Eh	0(000 0000)	OVERLOAD _L_R	PEAK_L_R[6:0]						

Matrixing

DOWNMIX_MODE	9Fh	0111 1111	LTRT_OUT_ MODE	MIX_OUT_MODE[2:0]		LFE_IN		MIX_IN_MODE[2:0]		
DOWNMIX_DUAL_MOD E	A0h	0000 0000	0	0	0	DUAL_ON		LS_DUAL_SELECT[1:0]		LTRT_DUAL_SELECT [1:0]
DOWNMIX_CONFIG	A1h	0000 0001	0	0	SRND_FACTOR[1:0]		CENTER_FACTOR[1:0]		LR_UPMIX	NORMALIZ E
AUDIO_MATRIX1	A2h	0001 0010	0	0	HP_OUT[2:0]			LS_OUT[2:0]		
AUDIO_MATRIX2	A3h	0000 0010	0	0	SCART2_OUT[2:0]			SCART1_OUT[2:0]		
AUDIO_MATRIX3	A4h	0001 0000	0	0	SPDIF_OUT[2:0]			DELAY_OUT[2:0]		
CHANNEL_MATRIX_LS	A5h	0000 0010	AUTOSTD_ CONTROL_ LS	AUTOSTD_ CONTROL_ SPDIF	0	0	0	CM_MATRIX_LS[2:0]		
CHANNEL_MATRIX_HP	A6h	0000 0000	AUTOSTD_ CONTROL_ HP	CM_SOURCE_HP[2:0]		CM_POSTION_HP[2:0]		CM_MATRIX_HP[2:0]		
CHANNEL_MATRIX_SC ART1	A7h	0000 0000	AUTOSTD_ CONTROL_ SCART1	CM_SOURCE_SCART1[2:0]		CM_POSTION_SCART1[2:0]		CM_MATRIX_SCART1[2:0]		
CHANNEL_MATRIX_SC ART2	A8h	0000 0000	AUTOSTD_ CONTROL_ SCART2	CM_SOURCE_SCART2[2:0]		CM_POSTION_SCART2[2:0]		CM_MATRIX_SCART2[2:0]		
CHANNEL_MATRIX_SP DIF	A9h	0000 0000	CM_SOURCE_SPDIF[3:0]			CM_POSTION_SPDIF[2:0]		CM_MATRIX_SPDIF[2:0]		
DEMOD_DC_LEVEL	AAh	(0000 0000)	DEMOD_DC_LEVEL[7:0] (S)							
	ABh	0000 0000	0	0	0	0	0	0	0	0
	ACH	0000 0000	0	0	0	0	0	0	0	0

Audio Processing

AV_DELAY_CONFIG	ADh	0000 0000	0	0	0	0	0	0	DOLBY_DE LAY_ON	AV_DELAY_ ON
AV_DELAY_TIME_LS	Aeh	0000 0000	AV_DELAY_TIME_LS[7:0]							
AV_DELAY_TIME_HP	Afh	0000 0000	AV_DELAY_TIME_HP[7:0]							
PROLOGIC2_CONTROL	B0h	0111 0110	PL2_LFE	PL2_OUTPUT_DOWNMIX[2:0]			PL2_MODES[2:0]			PL2_ACTIV E
PROLOGIC2_CONFIG	B1h	0000 0000	0	0	0	PL2_SRND_FILTER[1:0]		PL2_RS_P OLARITY	PL2_PANO RAMA	PL2_AUTO BALANCE
PROLOGIC2_DIMENSIO N	B2h	0000 0000	0	PL2_C_WIDTH[2:0]			0	PL2_DIMENSION[2:0]		
PROLOGIC2_LEVEL	B3h	0000 0011	PL2_LEVEL[7:0]							
NOISE_GENERATOR	B4h	0000 0000	10_DB_ATT ENUATE	SRIGHT_ NOISE	SLEFT_ NOISE	SUB_ NOISE	CENTER_ NOISE	RIGHT_ NOISE	LEFT_ NOISE	NOISE_ON
PCM_SRND_DELAY	B5h	0000 0000	0	0	0	DOLBY_DELAY_SRND[4:0]				
PCM_CENTER_DELAY	B6h	0000 0000	0	0	0	DOLBY_DELAY_CENTER[3:0]				

Table 8: List of I²C Registers (Sheet 3 of 5)

Name	Addr.	Reset	Bit 7	Bit 6	Bit 5	Bit 4	Bit 3	Bit 2	Bit 1	Bit 0
TRUSRND_CONTROL	B7h	0000 1000	DIALOG_CLARITY_ON	HEADPHONE_ON	TRUSRND_INPUT_MODE[3:0]			TRUSRND_BYPASS	TRUSRND_ON	
TRUSRND_DC_ELEVATION	B8h	0000 1100	TRUSRND_DC_ELEVATION[7:0]							
TRUSRND_INPUT_GAIN	B9h	0000 0000	TRUSRND_INPUT_GAIN[7:0]							
TRUBASS_LS_CONTROL	BAh	0000 0110	0	0	0	0	TRUBASS_LS_SIZE[2:0]		TRUBASS_LS_ON	
TRUBASS_LS_LEVEL	BBh	00001 1001	TRUBASS_LS_LEVEL[7:0]							
TRUBASS_HP_CONTROL	BCh	0000 0110	SRS_TSXT_GAIN_ON	0	0	0	TRUBASS_HP_SIZE[2:0]		TRUBASS_HP_ON	
TRUBASS_HP_LEVEL	BDh	0000 1001	TRUBASS_HP_LEVEL[7:0]							
SVC_LS_CONTROL	BEh	0000 0010	0	0	0	0	SVC_LS_INPUT[1:0]	SVC_LS_AMP	SVC_LS_ON	
SVC_LS_TIME_TH	BFh	0000 0000	SVC_LS_TIME[2:0]			SVC_LS_THRESHOLD[4:0]				
SVC_LS_GAIN	C0h	0000 1111	0	0	SVC_LS_MAKE_UP_GAIN[5:0]					
SVC_HP_CONTROL	C1h	0000 0010	0	0	0	0	0	SVC_LHP_AMP	SVC_HP_ON	
SVC_HP_TIME_TH	C2h	0000 0000	SVC_HP_TIME[2:0]			SVC_HP_THRESHOLD[4:0]				
SVC_HP_GAIN	C3h	0000 1111	0	0	SVC_HP_MAKE_UP_GAIN[5:0]					
WIDESRND_CONTROL	C4h	0000 0100	0	0	0	0	0	WIDESRND_STEREO	WIDESRND_MODE	WIDESRND_ON
WIDESRND_FREQ	C5h	0001 0101	0	0	WIDESRND_BASS[1:0]	WIDESRND_MEDIUM[1:0]	WIDESRND_TREBLE[1:0]			
WIDESRND_LEVEL	C6h	1000 0000	WIDESRND_GAIN[7:0]							
OMNISRND_CONTROL	C7h	0000 1100	ST_VOICE[1:0]	SRND_PHASE_INV	OMNISRND_INPUT_MODE[3:0]				OMNISRND_ON	
DYNAMIC_BASS_LS	C8h	0110 0010	LS_BASS_LEVEL[4:0]					LS_BASS_FREQ[1:0]	LS_DYN_BASS_ON	
DYNAMIC_BASS_HP	C9h	0110 0010	HP_BASS_LEVEL[4:0]					HP_BASS_FREQ[1:0]	HP_DYN_BASS_ON	
BASS_ENHANCE_LS	CAh	0000 0000	0	0	LS_BASS_ENHANCE_HP_FILTER	LS_BASS_ENHANCE_SCALE[2:0]		LS_BASS_ENHANCE_CUTOFF	LS_BASS_ENHANCE_ON	
	CBh	0000 0000	0	0	0	0	0	0	0	
EQ_BT_CONTROL	CCh	0000 0000	0	0	0	0	0	HP_BT_ON	LS_EQ_BT_SW	LS_EQ_ON
LS_EQ_BAND1	CDh	0000 0000	EQ_BAND1[7:0] (S)							
LS_EQ_BAND2	CEh	0000 0000	EQ_BAND2[7:0] (S)							
LS_EQ_BAND3	CFh	0000 0000	EQ_BAND3[7:0] (S)							
LS_EQ_BAND4	D0h	0000 0000	EQ_BAND4[7:0] (S)							
LS_EQ_BAND5	D1h	0000 0000	EQ_BAND5[7:0] (S)							
LS_BASS_GAIN	D2h	0000 0000	LS_BASS[7:0] (S)							
LS_TREBLE_GAIN	D3h	0000 0000	LS_TREBLE[7:0] (S)							
HP_BASS_GAIN	D4h	0000 0000	HP_BASS[7:0] (S)							
HP_TREBLE_GAIN	D5h	0000 0000	HP_TREBLE[7:0] (S)							
OUTPUT_BASS_MNGT	D6h	1000 0000	BASS_MANAGE_ON	ST_LFE_AD D	DOLBY_PROLOGIC	SUB_ACTIVE	GAIN_SWITCH	OCFG_NUM[2:0]		
LS_LOUDNESS	D7h	0000 0100	0	LS_LOUD_THRESHOLD[2:0]			LS_LOUD_GAIN_HR[2:0]		LS_LOUD_ON	
HP_LOUDNESS	D8h	0000 0100	0	HP_LOUD_THRESHOLD[2:0]			HP_LOUD_GAIN_HR[2:0]		HP_LOUD_ON	

Volume

Table 8: List of I²C Registers (Sheet 4 of 5)

Name	Addr.	Reset	Bit 7	Bit 6	Bit 5	Bit 4	Bit 3	Bit 2	Bit 1	Bit 0
VOLUME_MODES	D9h	1101 1111	ANTCLIP_HP_VOL_CLAMP	ANTICLIP_LS_VOL_CLAMP	0	SCART2_VOLUME_MODE	SCART1_VOLUME_MODE	HP_VOLUME_MODE	SRND_VOLUME_MODE	LS_VOLUME_MODE
LS_L_VOLUME_MSB	DAh	1001 1000	LS_L_VOLUME_MSB[7:0]							
LS_L_VOLUME_LSB	DBh	0000 0000	0	0	0	0	0	0	LS_L_VOLUME_LSB[1:0]	
LS_R_VOLUME_MSB	DCh	0000 0000	LS_R_VOLUME_MSB[7:0]							
LS_R_VOLUME_LSB	DDh	0000 0000	0	0	0	0	0	0	LS_R_VOLUME_LSB[1:0]	
LS_C_VOLUME_MSB	DEh	1001 1000	LS_C_VOLUME_MSB[7:0]							
LS_C_VOLUME_LSB	DFh	0000 0000	0	0	0	0	0	0	LS_C_VOLUME_LSB[1:0]	
LS_SUB_VOLUME_MSB	E0h	1001 1000	LS_SUB_VOLUME_MSB[7:0]							
LS_SUB_VOLUME_LSB	E1h	0000 0000	0	0	0	0	0	0	LS_SUB_VOLUME_LSB[1:0]	
LS_SL_VOLUME_MSB	E2h	1001 1000	LS_SL_VOLUME_MSB[7:0]							
LS_SL_VOLUME_LSB	E3h	0000 0000	0	0	0	0	0	0	LS_SL_VOLUME_LSB[1:0]	
LS_SR_VOLUME_MSB	E4h	0000 0000	LS_SR_VOLUME_MSB[7:0]							
LS_SR_VOLUME_LSB	E5h	0000 0000	0	0	0	0	0	0	LS_SR_VOLUME_LSB[1:0]	
LS_MASTER_VOLUME_MSB	E6h	1110 1000	LS_MASTER_VOLUME_MSB[7:0]							
LS_MASTER_VOLUME_LSB	E7h	0000 0000	0	0	0	0	0	0	LS_MASTER_VOLUME_LSB[1:0]	
HP_L_VOLUME_MSB	E8h	1001 1000	HP_L_VOLUME_MSB[7:0]							
HP_L_VOLUME_LSB	E9h	0000 0000	0	0	0	0	0	0	HP_L_VOLUME_LSB[1:0]	
HP_R_VOLUME_MSB	EAh	0000 0000	HP_R_VOLUME_MSB[7:0]							
HP_R_VOLUME_LSB	EBh	0000 0000	0	0	0	0	0	0	HP_R_VOLUME_LSB[1:0]	
AUX_VOLUME_INDEX	ECh	0000 0001	0	0	0	0	0	0	AUX_VOLUME_SELECT[1:0]	
AUX_L_VOLUME_MSB	EDh	1101 1101	AUX_L_VOLUME_MSB[7:0]							
AUX_L_VOLUME_LSB	EEh	0000 0000	0	0	0	0	0	0	AUX_L_VOLUME_LSB[1:0]	
AUX_R_VOLUME_MSB	EFh	0000 0000	AUX_R_VOLUME_MSB[7:0]							
AUX_R_VOLUME_LSB	F0h	0000 0000	0	0	0	0	0	0	AUX_R_VOLUME_LSB[1:0]	

Mute

MUTE_SOFTWARE	F1h	1111 1111	HP_D_MUTE	SPDIF_D_MUTE	SCART2_D_MUTE	SCART1_D_MUTE	SRND_D_MUTE	SUB_D_MUTE	C_D_MUTE	LS_D_MUTE
---------------	-----	-----------	-----------	--------------	---------------	---------------	-------------	------------	----------	-----------

Beeper

BEEPER_ON	F2h	0000 0000	0	0	0	0	0	BEEPER_SOUND_SELECT[1:0]		BEEPER_ON
BEEPER_MODE	F3h	0100 0011	BEEPER_DECAY[1:0]			BEEPER_DURATION[1:0]		BEEPER_CONTINUOUS	BEEPER_PATH[1:0]	
BEEPER_FREQ_VOL	F4h	0111 0110	BEEPER_FREQ[2:0]			BEEPER_VOLUME[4:0]				

SPDIF Out Configuration

SPDIF_OUT_CHANNEL_STATUS	F5h	0000 0010	0	0	0	0	0	SPDIF_COPYRIGHT	SPDIF_NO_PCM	SPDIF_CONSUMER_PRO
--------------------------	-----	-----------	---	---	---	---	---	-----------------	--------------	--------------------

Headphone Configuration

HP_SCART2_CONFIG	F6h	0000 0010	0	KARAOKE_MIX	SCART2_OUT_SELECT	HP_FORCE	HP_LS_MUTE	HP_DET_ACTIVE	HP_DETECTED	
------------------	-----	-----------	---	-------------	-------------------	----------	------------	---------------	-------------	--

Table 8: List of I²C Registers (Sheet 5 of 5)

Name	Addr.	Reset	Bit 7	Bit 6	Bit 5	Bit 4	Bit 3	Bit 2	Bit 1	Bit 0
DAC Control										
DAC_CONTROL	F7h	0001 1111	0	0	SPDIF_MUX	DAC_SCAR_T_MUTE	DAC_SHP_MUTE	DAC_CSUB_MUTE	DAC_LSLR_MUTE	POWER_UP
DAC_SW_CHANNELS	F8h	0000 0000	C_SUB_SW[1:0]		SUR_HP_SW[1:0]		SCART_SW[1:0]		SPDIF_SW[1:0]	
SPDIF_SW_CHANNELS	F9h	0000 0000	0	0	0	0	DELAY_SW[1:0]		L_R_SW[1:0]	
AutoStandard Coefficients Settings										
AUTOSTD_FSM	FAh	0000 0000	0	0	0	0	FSM_STATE			
AUTOSTD_COEFF_CTRL	FBh	0000 0001	0	0	0	0	0	0	AUTOSTD_COEFF_CTRL[1:0]	
AUTOSTD_COEFF_INDEX_MSB	FCh	0000 0000	0	0	0	0	0	0	0	AUTOSTD_COEFF_INDEX_MSB
AUTOSTD_COEFF_INDEX_LSB	FDh	0000 0000	AUTOSTD_COEFF_INDEX_LSB[7:0]							
AUTOSTD_COEFF_VALUE	FEh	0000 0000	AUTOSTD_COEFF_VALUE[7:0]							
PATCH_VERSION	FFh	0000 0000	PATCH_VERSION[7:0]							

12.3 STV82x8 General Control Registers

CUT_ID

Version Identification

Address: 00h

Type: R

Bit 7	Bit 6	Bit 5	Bit 4	Bit 3	Bit 2	Bit 1	Bit 0	
0	0	CUT_NUMBER[5:0]						

Bit Name	Reset	Function
Bits[7:6]	00	Reserved
CUT_NUMBER[5:0]	000001	Dice Version Identification

RESET

Software Reset Register

Address: 01h

Type: R/W

Bit 7	Bit 6	Bit 5	Bit 4	Bit 3	Bit 2	Bit 1	Bit 0
BUS_EXP	I2S_CO_EN	I2S_DO_EN	EN_STBY	CLOCK_DOW N	0	SOFT_LRST1	SOFT_RST

Description

The built-in Automatic Standard Recognition System (Autostandard) can be disabled. In this case, the Software Reset function (bits SOFT_LRST1 and SOFT_LRST2) can be used to implement the

Automatic Standard Recognition by I²C Software. This is not required if the built-in Automatic Standard Recognition System function is used (default).

Bit Name	Reset	Function
BUS_EXP	0	Static control by I2C of hardware pin BUS_EXP
I ² S_CO_EN	0	0 = I ² S Input (I2S_SCK , I2S_LR_CLK, I2S_PCM_CLK in input mode) 1 = I ² S Output (I2S_SCK , I2S_LR_CLK, I2S_PCM_CLK in output mode)
I ² S_DO_EN	0	0 = I ² S Input (I2S_DATA0 in input mode) 1 = I ² S Output (I2S_DATA0 in output mode)
EN_STBY	0	Standby mode enabling 0: Normal mode 1: To lock the digital signals before to settle the device in standby mode
CLOCK_DOWN	0	clock down of the dsp, decoder.
Bit [2]	0	Reserved
SOFT_LRST1	0	Softreset (active high) of Decoder..
SOFTR_RST	0	General softreset (active high) to reset all hardware registers except for I ² C data.

I2S_CTRL**I²S Synchronization Control Register**

Address: 04h

Type: R/W

Bit 7	Bit 6	Bit 5	Bit 4	Bit 3	Bit 2	Bit 1	Bit 0
I2S_PLL	SYNC_SIGN	I2S_SRC	LOCK_TH[1:0]	LOCK_MODE	SYNC_CST[1:0]		

Bit Name	Reset	Function
I2S_PLL	0	Selects the i2s source for the synchronization with the synthesizer (at 48KHz only) 0: I2S_LR_CLK selected 1: I2SA_LR_CLK selected
SYNC_SIGN	0	Reverse the sign of the loop - To be used in case of gain inversion of the Frequency Synthesizer
I2S_SRC	0	Selects the i2s source for the src 0: I2S_LR_CLK selected 1: I2SA_LR_CLK selected
LOCK_TH[1:0]	00	Lock Detector Threshold Programming 00: ± 1 CLK period error of accumulation 01: ± 2 CLK period error of accumulation 10: ± 4 CLK period error of accumulation 11: ± 8 CLK period error of accumulation
LOCK_MODE	0	Lock Detector Mode 0: Lock when accumulation error within lock threshold and LR detected (period counter not saturated) 1: Lock when only accumulation error within lock threshold. Don't care of the LR detection
SYNC_CST[1:0]	00	Synchronization Time Constant Defines the measurement period of LR 00: Half period measured (lowest accuracy) 01: One full period measured 10: Two full periods measured 11: Four full periods measured (highest accuracy)

I2S_STAT**I²S Synchronization Status Register**

Address: 05h

Type: R/W

Bit 7	Bit 6	Bit 5	Bit 4	Bit 3	Bit 2	Bit 1	Bit 0
0	0	0	0	0	0	LR_OFF	LOCK_FLAG

Bit Name	Reset	Function
Bits[7:2]	0	Reserved.
LR_OFF	0	LR Signal Detection 0: LR signal detected and correct 1: Missing LR pulses detected
LOCK_FLAG	0	Lock Flag allowing unmute of Audio Output

I2S_SYNC_OFFSET**I²S Synchronization Offset Frequency Register**

Address: 06h

Type: R/W

Bit 7	Bit 6	Bit 5	Bit 4	Bit 3	Bit 2	Bit 1	Bit 0
I2S_SFO[7:0]							

Bit Name	Reset	Function
I2S_SFO[7:0]	0000 0000	I ² S synchronization frequency offset (± 450 ppm full scale)

12.4 Clocking 1

A low-jitter PLL Clock is integrated and can be fully reprogrammed using the registers described below. By default, the programming is defined for a 27-MHz crystal oscillator, which is the frequency recommended for reducing potential RF interference in the application. However, if necessary, the PLL Clock can be re-programmed for other crystal oscillator frequencies within a range from 23 to 30 MHz. Other crystal frequencies can be programmed on your demand.

Note: A Crystal Frequency change is compatible with other default I²C programming including the built-in Automatic Standard Recognition System.

SYS_CONFIG**System Configuration Control Register**

Address: 07h

Type: R/W

Bit 7	Bit 6	Bit 5	Bit 4	Bit 3	Bit 2	Bit 1	Bit 0
SYNC_PLL	OPEN_PLL	INPUT_FREQ[3:0]				BIT[1:0]	

Bit Name	Reset	Function
SYNC_PLL	0	Status of the loop wyth the synthesizer 0: Open 1: Closed
OPEN_PLL	0	Force the loop with the synthesizer to be open 0: No Action 1: Loop Open
INPUT_FREQ[3:0]	0010	I²S Input frequency 0010: 48 kHz
BIT[1:0]	10	Reserved

FS1_DIV

FS1 I/O Divider Programming Register

Address: 08h

Type: R/W

Bit 7	Bit 6	Bit 5	Bit 4	Bit 3	Bit 2	Bit 1	Bit 0
EN_PROG	0	NDIV1[1:0]		0		SDIV1[2:0]	

Bit Name	Reset	Function
EN_PROG	0	FS1 programming enable 0: FS1 I2C registers programming ignored by system - FS1 pre-programmed automatically by SYS-CONFIG register (normal use with standard oscillator of 27 MHz) 1: FS1 I2C registers programming used by system - FS1 pre-programming by SYS-CONFIG deactivated (to be used in case of no standard oscillator, other than 27 MHz)
Bit 6	0	Reserved.
NDIV1[1:0]	01	FS1 Input clock divider selection
Bit 3	0	Reserved.
SDIV1[2:0]	011	FS1 Output clock divider selection

FS1_MD

FS1 Coarse Selection Register

Address: 09h

Type: R/W

Bit 7	Bit 6	Bit 5	Bit 4	Bit 3	Bit 2	Bit 1	Bit 0
0	0	0			MD1[4:0]		

Bit Name	Reset	Function
Bits[7:5]	000	Reserved.
MD1[4:0]	10001	FS1 Coarse Selection

FS1_PE_H

FS1 Fine Selection Register (MSBs)

Address: 0Ah

Type: R/W

Bit 7	Bit 6	Bit 5	Bit 4	Bit 3	Bit 2	Bit 1	Bit 0
							PE_H1[7:0]

Bit Name	Reset	Function
PE_H1[7:0]	0011 0110	FS1 Fine Selection (MSBs)

FS1_PE_L

FS1 Fine Selection Register (LSBs)

Address: 0Bh

Type: R/W

Bit 7	Bit 6	Bit 5	Bit 4	Bit 3	Bit 2	Bit 1	Bit 0
PE_L1[7:0]							

Bit Name	Reset	Function
PE_L1[7:0]	0000 0000	FS1 Fine Selection (LSBs)

12.5 Demodulator

DEMOD_CTRL

Demodulator Control Register

Address: 0Ch

Type: R/W

Bit 7	Bit 6	Bit 5	Bit 4	Bit 3	Bit 2	Bit 1	Bit 0
0	0	0	0	0	DEMOD_MODE[2:0]		

Bit Name	Reset	Function
Bits [7:3]	00000	Reserved
DEMOD_MODE[2:0]	001	Demodulator Mode Select <u>Demod_FM</u> 000: Normal 001: Wide other configuration: Reserved

DEMOD_STAT

Demodulator Detection Status Register

Address: 0Dh

Type: R

Bit 7	Bit 6	Bit 5	Bit 4	Bit 3	Bit 2	Bit 1	Bit 0
0	0	0				FM1_CAR	FM1_SQ

Bit Name	Reset	Function
Bits [7:2]	000	Reserved.
FM1_CAR	0	Channel 1 FM Carrier Detector Flag 0: Not detected 1: Detected
FM1_SQ	0	Channel 1 FM Squelch Detector Flag 0: Not detected 1: Detected

Note: These registers allow direct access to the demodulator signal detectors.

AGC_CTRL**IF AGC Control Register**

Address: 0Eh

Type: R/W

Bit 7	Bit 6	Bit 5	Bit 4	Bit 3	Bit 2	Bit 1	Bit 0
0	0	IF_SELECT	AGC_REF[2:0]		AGC_CST[1:0]		

Bit Name	Reset	Function																				
Bits[7:5]	00	Reserved.																				
IF_SELECT	0	Selection of the IF input. 0: IF input SIF 1 1: IF input SIF 2																				
AGC_REF[2:0]	100	This bitfield is used to defines the clipping level which adjusts the allowable proportion of samples at the input of the ADC which will be clipped. The AGC tries to maximize the use of the full scale range of the ADC. The default setting gives a ratio of 1/256. <table border="0"> <thead> <tr> <th colspan="2"><u>Clipping Ratio</u></th> <th colspan="2"><u>Clipping Ratio</u></th> </tr> </thead> <tbody> <tr> <td>000:</td> <td>1/16 (Single carrier)</td> <td>100:</td> <td>1/256 (Default)</td> </tr> <tr> <td>001:</td> <td>1/32</td> <td>101:</td> <td>1/512</td> </tr> <tr> <td>010:</td> <td>1/64</td> <td>110:</td> <td>1/1024</td> </tr> <tr> <td>011:</td> <td>1/128</td> <td>111:</td> <td>1/2048 (Multiple carriers)</td> </tr> </tbody> </table>	<u>Clipping Ratio</u>		<u>Clipping Ratio</u>		000:	1/16 (Single carrier)	100:	1/256 (Default)	001:	1/32	101:	1/512	010:	1/64	110:	1/1024	011:	1/128	111:	1/2048 (Multiple carriers)
<u>Clipping Ratio</u>		<u>Clipping Ratio</u>																				
000:	1/16 (Single carrier)	100:	1/256 (Default)																			
001:	1/32	101:	1/512																			
010:	1/64	110:	1/1024																			
011:	1/128	111:	1/2048 (Multiple carriers)																			
AGC_CST[1:0]	01	AGC Time Constant This is the time constant between each step of 1.5 dB by the AGC. <table border="0"> <thead> <tr> <th colspan="2"><u>Step Duration (ms)</u></th> </tr> </thead> <tbody> <tr> <td>00</td> <td>1.33</td> </tr> <tr> <td>01</td> <td>2.66</td> </tr> <tr> <td>10</td> <td>5.33</td> </tr> <tr> <td>11</td> <td>10.66</td> </tr> </tbody> </table>	<u>Step Duration (ms)</u>		00	1.33	01	2.66	10	5.33	11	10.66										
<u>Step Duration (ms)</u>																						
00	1.33																					
01	2.66																					
10	5.33																					
11	10.66																					

AGC_GAIN**IF AGC Control and Status Register**

Address: 0Fh

Type: R/W

Bit 7	Bit 6	Bit 5	Bit 4	Bit 3	Bit 2	Bit 1	Bit 0
0	AGC_ERR[4:0]					SIG_OVER	SIG_UNDER

Bit Name	Reset	Function
Bit 7	0	Reserved.
AGC_ERR[4:0]	00000	Amplifier Gain Control This is the Gain Control value of AGC. There are 20 steps of +1.5 dB (see Note below). 00000: Gain-min 10100: Gain-min + 30 dB 11111: Gain-min + 30 dB
SIG_OVER	0	AGC Input Signal Upper Threshold 0: Normal signal 1: Signal too large and AGC is overloaded
SIG_UNDER	0	AGC Input Signal Lower Threshold 0: Normal signal 1: Signal too small and AGC is underloaded When the AGC is in Automatic mode (AGC_CMD = 0), bits SIG_OVER and SIG_UNDER indicate if the input signal is too small/large and the AGC is under/overloaded. This is useful when setting the STV82x7 SIF input level.

Note: When **AGC_CMD = 0**, **AGC_ERR[4:0]** can be read -- indicating the input level. It can also be written to -- presetting the AGC level which will then adjust itself to the final value.

When **AGC_CMD = 1**, the AGC is off and writing to **AGC_ERR[4:0]** directly controls the AGC amplifier gain. Reading **AGC_ERR** just confirms the fixed value.

DC_ERR_IF**DC Offset Status for IF ADC**

Address: 10h

Type: R

Bit 7	Bit 6	Bit 5	Bit 4	Bit 3	Bit 2	Bit 1	Bit 0
DC_ERR[7:0]							

Bit Name	Reset	Function
DC_ERR[7:0]	00000000	DC offset error of IF ADC output

12.6 Demodulator Channel 1

CARFQ1H, CARFQ1M, CARFQ1L Channel 1 Carrier DCO Frequency

Address: 12h to 14h

Type: R/W

Bit 7 Bit 6 Bit 5 Bit 4 Bit 3 Bit 2 Bit 1 Bit 0

CARFQ1[23:16], CARFQ1[15:8], CARFQ1[7:0]

Bit Name	Reset	Function
CARFQ1[23:16]	00101110	Channel 1 DCO Carrier Frequency (8 MSBs)
CARFQ1[15:8]	11100000	Channel 1 DCO Carrier Frequency
CARFQ1[7:0]	00000000	Channel 1 DCO Carrier Frequency (8 LSBs), see Table 2 .

Table 9: Mono Carrier Frequencies by System

System	Mono Carrier Freq. (MHz)	CARFQ1[23:0] (dec)	CARFQ1[23:0]
M/N	4.5	3072000	2EE000h

Note: Carrier Freq: $CARFQ1(dec) \cdot f_S / 2^{24}$ with $f_S = 24.576$ MHz (crystal oscillator frequency independent)

FIR1C[0:7]

Channel 1 FIR Coefficients

Address: 15h to 1Ch

Type: R/W

Bit 7 Bit 6 Bit 5 Bit 4 Bit 3 Bit 2 Bit 1 Bit 0

FIR1C0[7:0] to FIR1C7[7:0]

Bitfield	Description					
						(reset state)
	FM 27 kHz	FM 50 kHz	FM 200 kHz	FM 350 kHz	FM 500 kHz	BTSC
FIR1C0[7:0]	FFh	00h	00h	02h	01h	01h
FIR1C1[7:0]	FEh	FEh	01h	01h	00h	00h
FIR1C2[7:0]	FEh	FCh	01h	FCh	04h	FEh
FIR1C3[7:0]	00h	FDh	FCh	03h	FAh	FCh
FIR1C4[7:0]	06h	02h	08h	04h	05h	00h
FIR1C5[7:0]	0Eh	0Dh	F6h	F2h	00h	0Bh
FIR1C6[7:0]	16h	18h	F8h	06h	F2h	19h

Bitfield	Description					
						(reset state)
	FM 27 kHz	FM 50 kHz	FM 200 kHz	FM 350 kHz	FM 500 kHz	BTSC
FIR1C7[7:0]	1Bh	1Fh	4Ah	43h	4Dh	24h

ACOEFF1**Channel 1 Baseband PLL Loop Filter Proportional Coefficient**

Address: 1Dh

Type: R/W

Bit 7 Bit 6 Bit 5 Bit 4 Bit 3 Bit 2 Bit 1 Bit 0

ACOEFF1[7:0]

Bit Name	Reset	Function
ACOEFF1[7:0]	00100010	Used to program the Proportional Coefficient of the baseband PLL loop filter (Channel 1) Defines the damping factor of the loop. For values, refer to Table 3 .

BCOEFF1**Channel 1 Baseband PLL Loop Filter Integral Coefficient & DCO Gain**

Address: 1Eh

Type: R/W

Bit 7 Bit 6 Bit 5 Bit 4 Bit 3 Bit 2 Bit 1 Bit 0

BCOEFF1[7:0]

Bit Name	Reset	Function
BCOEFF1[7:0]	00001001	Used to program the Integral Coefficient of the baseband PLL loop filter and DCO gain Defines the bandwidth of the loop. For values, refer to Table 3 .

Table 10: Baseband PLL Loop Filter Adjustment (FM Mode)

FM Mode	Small	Standard	Medium	Wide*	BTSC
ACOEFF	10h	22h	2Ch	2Ch	22h
BCOEFF	1Ah	12h	0Ah	0Ah	09h
FM_DEV max (kHz)	62.5	125	250	500	500
DCO Range (kHz)	96	192	384	768	768

(*) Refer to [DEMOD_CTRL](#) (DEMOD_MODE[2:0])

CRF1**Channel 1 Baseband PLL Demodulator Offset**

Address: 1Fh

Type: R

Bit 7 Bit 6 Bit 5 Bit 4 Bit 3 Bit 2 Bit 1 Bit 0

CRF1[7:0]

Bit Name	Reset	Function
CRF1[7:0]	(00000000)	Channel 1 Carrier Recovery Frequency Displays the instantaneous frequency offset of the Channel 1 Baseband PLL Demodulator.

CETH1**Channel 1 FM Carrier Level Threshold**

Address: 20h

Type: R/W

Bit 7 Bit 6 Bit 5 Bit 4 Bit 3 Bit 2 Bit 1 Bit 0

CETH1[7:0]

Bit Name	Reset	Function																				
CETH1[7:0]	00100000	<p>This register is used to compare the carrier level in the channel and the threshold value. This level is measured after the channel filter and is relative to the full scale reference level (0 dB). This is used as part of the validation of an FM signal, if the carrier level is below the threshold, the signal is considered to be non-valid. Recommended value is 10h.</p> <table style="width: 100%; border-collapse: collapse;"> <thead> <tr> <th style="text-align: left;"><u>CETH</u></th> <th style="text-align: left;"><u>Threshold (dB)</u></th> <th style="text-align: left;"><u>CETH</u></th> <th style="text-align: left;"><u>Threshold (dB)</u></th> </tr> </thead> <tbody> <tr> <td>FFh</td> <td>-6</td> <td>10h</td> <td>-32 (Recommended Value)</td> </tr> <tr> <td>80h</td> <td>-12</td> <td>08h</td> <td>-38</td> </tr> <tr> <td>40h</td> <td>-18</td> <td>00h</td> <td>OFF (all carrier levels are accepted)</td> </tr> <tr> <td>20h</td> <td>-24 (Default)</td> <td></td> <td></td> </tr> </tbody> </table>	<u>CETH</u>	<u>Threshold (dB)</u>	<u>CETH</u>	<u>Threshold (dB)</u>	FFh	-6	10h	-32 (Recommended Value)	80h	-12	08h	-38	40h	-18	00h	OFF (all carrier levels are accepted)	20h	-24 (Default)		
<u>CETH</u>	<u>Threshold (dB)</u>	<u>CETH</u>	<u>Threshold (dB)</u>																			
FFh	-6	10h	-32 (Recommended Value)																			
80h	-12	08h	-38																			
40h	-18	00h	OFF (all carrier levels are accepted)																			
20h	-24 (Default)																					

SQTH1**Channel 1 FM Squelch Threshold Register**

Address: 21h

Type: R/W

Bit 7 Bit 6 Bit 5 Bit 4 Bit 3 Bit 2 Bit 1 Bit 0

SQTH1[7:0]

Bit Name	Reset	Function												
SQTH1[7:0]	00111100	<p>The squelch detector measures the level of high frequency noise (> 40 kHz) and compares it to the threshold level (SQTH). If the level is below this value, the S/N of the FM signal is considered to be acceptable. Values are given for FM with standard deviation.</p> <table border="1"> <thead> <tr> <th>SQTH</th> <th>S/N (dB)</th> </tr> </thead> <tbody> <tr> <td>FAh</td> <td>0</td> </tr> <tr> <td>77h</td> <td>10</td> </tr> <tr> <td>3Ch</td> <td>15 (Default)</td> </tr> <tr> <td>23h</td> <td>20</td> </tr> <tr> <td>19h</td> <td>25</td> </tr> </tbody> </table>	SQTH	S/N (dB)	FAh	0	77h	10	3Ch	15 (Default)	23h	20	19h	25
SQTH	S/N (dB)													
FAh	0													
77h	10													
3Ch	15 (Default)													
23h	20													
19h	25													

CAROFFSET1**Channel 1 DCO Carrier Offset Compensation**

Address: 22h

Type: R/W

Bit 7	Bit 6	Bit 5	Bit 4	Bit 3	Bit 2	Bit 1	Bit 0
CAROFFSET1[7:0] (S)							

Bit Name	Reset	Function
CAROFFSET1[7:0]	00000000	<p>This value is used to correct the carrier frequency offset of the incoming IF signal. Automatic frequency control in FM mode can be implemented by registers DC_REMOVAL_L and DC_REMOVAL_R.</p> <p>A DCO frequency offset (in two's complement format) is added to the pre-programming value by AUTOTSD in the CARFQ1 registers (corresponding to the standard IF carrier frequency). The programmable carrier offset ranges from -192 kHz to +190.5 kHz with a resolution of 1.5 kHz.</p> <p>For standard FM deviation, the value displays by DC_REMOVAL_L and DC_REMOVAL_R can be directly loaded in CAROFFSET1 to exactly compensate the carrier offset on Channel 1</p>

CHANNEL_GAIN**Demodulator channel gain**

Address:45h

Type: R/W

Bit 7	Bit 6	Bit 5	Bit 4	Bit 3	Bit 2	Bit 1	Bit 0
0	0	0	0	0	0	CH_GAIN[1:0]	

Bit Name	Reset	Function				
Bits[7:2]	000000	Reserved.				
CH_GAIN[1:0]	10	<p>Channel 1 Gain after the FM Demodulation</p> <table border="1"> <thead> <tr> <th>00: Gain</th> <th>01: Gain * 2</th> </tr> </thead> <tbody> <tr> <td>10: Gain*4 (Default)</td> <td>11: Gain *8</td> </tr> </tbody> </table>	00: Gain	01: Gain * 2	10: Gain*4 (Default)	11: Gain *8
00: Gain	01: Gain * 2					
10: Gain*4 (Default)	11: Gain *8					

STEREO_CONF**BTSC Stereo Configuration**

Address:43h

Type: R/W

Bit 7	Bit 6	Bit 5	Bit 4	Bit 3	Bit 2	Bit 1	Bit 0
LOCK_TH_STE[7:4]			LOOP_GAIN[1:0]		FREQ_PIL	RESET	

Bit Name	Reset	Function
LOCK_TH_STE[7:4]	0011	BTSC Lock Stereo Threshold
LOOP_GAIN[1:0]	10	Gain of Stereo PLL 00: Gain * 4 01: Gain * 2 10: Gain (Default) 11: Gain / 2
FREQ_PIL	0	Pilot Frequency Selection 0: 15.625-15.734 kHz 1: Reserved
RESET	0	Stereo Reset 1: Reset Active

STEREO_FSM_CONF**BTSC Finite State Machine Configuration**

Address:44h

Type: R/W

Bit 7	Bit 6	Bit 5	Bit 4	Bit 3	Bit 2	Bit 1	Bit 0
0	0	BYPASS	FSM_OFF	GAIN_INI[2:0]		STE_DEM	

Bit Name	Reset	Function
BIT[7:6]	00	Reserved.
BYPASS	0	Bypass of the Stereo Block 0: Stereo Block is On 1: Stereo Block is Bypassed
FSM_OFF	0	FSM Switch Off 0: FSM is On 1: FSM is Off. Gain set by I ² C
GAIN_INI[2:0]	111	Initial loop gain for FSM
STE_DEM	0	Stereo dematrix inside the stereo block (before DBX) 1: reset active

SAP_LEVEL_H**BTSC Threshold High for SAP Detection**

Address:48h

Type: R/W

Bit 7 Bit 6 Bit 5 Bit 4 Bit 3 Bit 2 Bit 1 Bit 0

SAP_LEV_H[7:0]

Bit Name	Reset	Function
SAP_LEV_H[7:0]	01010000	Threshold high for SAP detection If SAP signal level is > SAP_LEV_H, SAP is detected

SAP_LEVEL_L**BTSC Threshold Low for SAP Detection**

Address:49h

Type: R/W

Bit 7 Bit 6 Bit 5 Bit 4 Bit 3 Bit 2 Bit 1 Bit 0

SAP_LEV_L[7:0]

Bit Name	Reset	Function
SAP_LEV_L[7:0]	00110000	Threshold low for SAP detection If sap signal level is <STE_LEV_L, SAP is not longer detected

STE_CAR_LEV**BTSC Stereo Carrier Level**

Address:4Ah

Type: R

Bit 7 Bit 6 Bit 5 Bit 4 Bit 3 Bit 2 Bit 1 Bit 0

STE_CAR_LEV[7:0]

Bit Name	Reset	Function
STE_CAR_LEV[7:0]	00000000	Stereo carrier level

STE_PLL_STAT**BTSC Stereo PLL Status**

Address:4Bh

Type: R

Bit 7 Bit 6 Bit 5 Bit 4 Bit 3 Bit 2 Bit 1 Bit 0

0

0

LOOP_GAIN[3:0]

OVER

LOCK_DET

STE_DET

Bit Name	Reset	Function
Bits[7:6]	00	Reserved.
LOOP_GAIN[3:0]	000	Final FSM gain at the end of the stereo search process
OVER	0	Overflow append in stereo search process 1: overflow
LOCK_DET	0	Stereo PLL lock status 0: no lock on pilot 1: lock on pilot or no pilot detected (no stereo)
STE_DET	0	Stereo Detection 0: no stereo detected 1: stereo detected

STE_SAP_STAT**BTSC Stereo SAP Status**

Address:4Ch

Type: R

Bit 7	Bit 6	Bit 5	Bit 4	Bit 3	Bit 2	Bit 1	Bit 0
0	OVER	LOCK_DET	STE_DET	0	0	SQ_DET	SAP_DET

Bit Name	Reset	Function
Bit 7	0	Reserved.
OVER	0	Overflow append in stereo search process 1: overflow
LOCK_DET	0	Stereo PLL lock status 0: no lock on pilot 1: lock on pilot or no pilot detected (no stereo)
STE_DET	0	Stereo detection 0: no stereo detected 1: stereo detected
bit[3:2]	00	Reserved.
SQ_DET	0	Squelch detection of SAP 0: problem of noise 1: level of noise is good
SAP_DET	0	Signal detection of SAP 0: SAP not detected 1: SAP detected

PLL_P_G**BTSC PLL Proportionnal Gain**

Address:4Dh

Type: R/W

Bit 7	Bit 6	Bit 5	Bit 4	Bit 3	Bit 2	Bit 1	Bit 0
PLL_P_G[7:0]							

Bit Name	Reset	Function
PLL_P_G[7:0]	01101100	PLL Proportional Gain

PLL_I_G**BTSC PLL Integral Gain**

Address: 4Eh

Type: R/W

Bit 7	Bit 6	Bit 5	Bit 4	Bit 3	Bit 2	Bit 1	Bit 0
0	0	0	0	PLL_I_G[3:0]			

Bit Name	Reset	Function
Bits [7:4]	0000	Reserved.
PLL_I_G[3:0]	0011	PLL integral Gain

SAP_SQ_TH**SAP Squelch Threshold**

Address: 4Fh

Type: R/W

Bit 7	Bit 6	Bit 5	Bit 4	Bit 3	Bit 2	Bit 1	Bit 0
SAP_SQ_TH[7:0]							

Bit Name	Reset	Function
SAP_SQ_TH[7:0]	00110000	SAP squelch threshold

12.7 I2S and Analog Control**I2S_ADC_CTRL****I2S_DATA0 and ADC Input Selection and Power-up**

Address: 56h

Type: R/W

Bit 7	Bit 6	Bit 5	Bit 4	Bit 3	Bit 2	Bit 1	Bit 0
I2S_DATA0_CTRL[2:0]			0	ADC_POWER_UP	ADC_INPUT_SEL[2:0]		

Bit Name	Reset	Function
I2S_DATA0_CTRL[2:0]	000	Source selection for output I2S_DATA0 000: LR 100: S/PDIF_OUT 001: HP_LSS 101: DELAY 010: LS_C and LS_SUB 110: reserved 011: SCART DAC 111: reserved
Bit[4]	0	Reserved.
ADC_POWER_UP	1	Control of the power up of the Audio ADC 0: ADC in power down mode 1: Wake up of the ADC
ADC_INPUT_SEL[2:0]	000	Selection of the ADC input signal 000: Input SCART 1 (Default) (B SDIP64) 100: Input Mono 001: Input SCART 2 (res. SDIP 64) 101: Input SCART (res. TQFP) (A SDIP64) (1_BIS) 010: Input SCART 3 (res. SDIP 64) 110: Input SCART (5 TQFP100) (C SDIP64) (3_BIS) 011: Input SCART 4 (res. SDIP 64) 111: reserved (mute)

SCART1_2_OUTPUT_CTRL SCART 1_2 Input Selection and Mute

Address: 57h

Type: R/W

Bit 7	Bit 6	Bit 5	Bit 4	Bit 3	Bit 2	Bit 1	Bit 0
SC2_MUTE	SC2_OUTPUT_SEL[2:0]			SC1_MUTE	SC1_OUTPUT_SEL[2:0]		

Bit Name	Reset	Function
SC2_MUTE	1	Mute command for the output SCART 2 0: output not muted 1: output muted
SC2_OUTPUT_SEL[2:0]	010	Selection of the output SCART 2 configuration: 000: DSP 100: Input SCART 3 (res. SDIP 64) 001: Input Mono 101: Input SCART 4 (res. SDIP 64) 010: Input SCART 1 (Def) (B SDIP 64) 110: Input SCART (res. TQFP) (A SDIP 64) (1_BIS) 011: Input SCART 2 (res. SDIP 64) 111: Input SCART (5 TQFP 100) (C SDIP 64) (3_BIS)
SC1_MUTE	1	Mute command for the output SCART 1 0: output not muted 1: output muted
SC1_OUTPUT_SEL[2:0]	000	Selection of the output SCART 1 configuration: 000: DSP (Default) 100: Input SCART 3 (res. SDIP 64) 001: Input Mono 101: Input SCART 4 (res. SDIP 64) 010: Input SCART 1 (B SDIP 64) 110: Input SCART (res. TQFP) (A SDIP 64) (1_BIS) 011: Input SCART 2 (res SDIP 64) 111: Input SCART (5 TQFP100) (C SDIP64) (3_BIS)

SCART3_OUTPUT_CTRL

SCART 3 Input Selection and Mute

Address: 58h

Type: R/W

Bit 7	Bit 6	Bit 5	Bit 4	Bit 3	Bit 2	Bit 1	Bit 0
0	0	0	0	SC3_MUTE	SC3_OUTPUT_SEL[2:0]		

Bit Name	Reset	Function
Bits[7:4]	0000	Reserved.
SC3_MUTE	1	Mute command for the output SCART 3 0: output not muted 1: output muted
SC3_OUTPUT_SEL[2:0]	011	Selection of the output SCART 3 configuration: 000: DSP 001: Input Mono 010: Input SCART 1 (B SDIP) 011: Input SCART 2 (Default) (res. SDIP 64) 100: Input SCART 3 (res. SDIP 64) 101: Input SCART 4 (res. SDIP 64) 110: Input SCART (res. TQFP) (A SDIP64) (1_BIS) 111: Input SCART (5 TQFP 100) (C SDIP 64) (3_BIS)

I2SO_DATA_CTRL

I2S Data Source Control

Address: 59h

Type: R/W

Bit 7	Bit 6	Bit 5	Bit 4	Bit 3	Bit 2	Bit 1	Bit 0
0	I2SO_DATA1_CTRL[2:0]			0	I2SO_DATA0_CTRL[2:0]		

Bit Name	Reset	Function
Bit [7]	0	Reserved.
I2SO_DATA1_CTRL[2:0]	000	Source Selection for I2SO_DATA1 Output 000: Mute 001: LR 010: HP_LSS 011: LS_C and LS_SUB 100: SCART DAC 101: S/PDIF_OUT 110: Delay 111: Mute
Bit [3]	0	Reserved.
I2SO_DATA0_CTRL[2:0]	000	Source Selection for I2SO_DATA0 Output 000: Mute 001: LR 010: HP_LSS 011: LS_C and LS_SUB 100: SCART DAC 101: S/PDIF_OUT 110: Delay 111: Mute

12.8 Clocking 2

FS2_DIV

FS2 I/O Divider Programming Register

Address: 5Ah

Type: R/W

Bit 7	Bit 6	Bit 5	Bit 4	Bit 3	Bit 2	Bit 1	Bit 0
0	0	NDIV2[1:0]			SDIV2[2:0]		

Bit Name	Reset	Function
Bit [7:6]	0	Reserved.
NDIV2[1:0]	01	FS2 Input clock divider selection
Bit 4	0	Reserved.
SDIV2[2:0]	001	FS2 Output clock divider selection

FS2_MD

FS2 Coarse Selection Register

Address: 5Bh

Type: R/W

Bit 7	Bit 6	Bit 5	Bit 4	Bit 3	Bit 2	Bit 1	Bit 0
0	0	0	MD2[4:0]				

Bit Name	Reset	Function
Bits[7:5]	000	Reserved.
MD2[4:0]	10001	FS2 Coarse Selection

FS2_PE_H

FS2 Fine Selection Register (MSBs)

Address: 5Ch

Type: R/W

Bit 7	Bit 6	Bit 5	Bit 4	Bit 3	Bit 2	Bit 1	Bit 0
PE_H2[7:0]							

Bit Name	Reset	Function
PE_H2[7:0]	0101 1100	FS2 Fine Selection (MSBs)

FS2_PE_L**FS2 Fine Selection Register (LSBs)**

Address: 5Dh

Type: R/W

Bit 7 Bit 6 Bit 5 Bit 4 Bit 3 Bit 2 Bit 1 Bit 0

PE_L2[7:0]

Bit Name	Reset	Function
PE_L2[7:0]	0010 1001	FS2 Fine Selection (LSBs)

12.9 DSP Control**HOST_CMD****DSP Hardware Control**

Address: 80h

Type: R/W

Bit 7 Bit 6 Bit 5 Bit 4 Bit 3 Bit 2 Bit 1 Bit 0

IT_IN_DSP	0	0	0	0	HW_RESET	PATCH_WRIT E_ENABLE	EMUL_SW
-----------	---	---	---	---	----------	------------------------	---------

Bit Name	Reset	Function
IT_IN_DSP	0	Valid I2C table.
Bits[6:3]	0000	Reserved.
HW_RESET	0	DSP Hardware reset when set.
Bits[1:0]	00	Reserved.

IRQ_STATUS**IRQ Status**

Address: 81h

Type: R/W

Bit 7 Bit 6 Bit 5 Bit 4 Bit 3 Bit 2 Bit 1 Bit 0

IRQ7	IRQ6	IRQ5	IRQ4	IRQ3	IRQ2	IRQ1	IRQ0
------	------	------	------	------	------	------	------

Bit Name	Reset	Function
Bits[7:6]	00	Reserved.
IRQ5	0	Hp/Srnd DAC unmute ready
IRQ4	0	HP detected

Bit Name	Reset	Function
IRQ3	0	I2S SRC freq change detected
IRQ2	0	I2S sync found IRQ
IRQ1	0	I2S sync lost IRQ
IRQ0	0	Auto-Standard IRQ

FW_VERSION**Embedded Firmware Version**

Address: 82h

Type: R

Bit 7	Bit 6	Bit 5	Bit 4	Bit 3	Bit 2	Bit 1	Bit 0
FW_VERSION[7:0]							

Bit Name	Reset	Function
SOFT_VERSION [7:0]	0000 0011	Version of the Embedded software.

ONCHIP_ALGOS**Display Algorithms available on the chip**

Address: 83h

Type: R

Bit 7	Bit 6	Bit 5	Bit 4	Bit 3	Bit 2	Bit 1	Bit 0
0	0	PROLOGIC_T YPE	MULTI_I2S_IN	TRUBASS	TRU SURROUND	PROLOGIC	MULTICHANN EL_OUT

Bit Name	Reset	Function
Bits[7:6]	00	Reserved.
PROLOGIC_TYPE	0	0: ProLogic 1 1: ProLogic 2
MULTI_I2S_IN	0	0: 1 I2S input 1: 3 I2S inputs
TRUBASS	0	SRS TruBass algorithm is present when set.
TRUSURROUND	0	SRS TruSurround algorithm is present when set.
PROLOGIC	0	Dolby Pro Logic algorithm is present when set.
MULTICHANNEL_O UT	0	Multi-Channel output is present when set.

DSP_STATUS**DSP Status**

Address: 84h

Type: R

Bit 7	Bit 6	Bit 5	Bit 4	Bit 3	Bit 2	Bit 1	Bit 0
0	0	0	0	0	0	0	INIT_MEM

Bit Name	Reset	Function
Bits[7:1]	0000000	Reserved.
INIT_MEM	0	DSP Initialization 0: DSP is not initialized. 1: DSP is initialized.

DSP_RUN**DSP Configuration and Run**

Address: 85h

Type: R/W

Bit 7	Bit 6	Bit 5	Bit 4	Bit 3	Bit 2	Bit 1	Bit 0
0	TEST_MODE_INPUT	TEST_MODE		INPUT_CONFIG		REGISTERS_RESET	HOST_RUN

Bit Name	Reset	Function
Bits[7]	0	Reserved.
TEST_MODE_INPUT	0	active in TEST_MODE = 1 (bypass processing) 0: I2S_0 input -> L/R output I2S_1 input -> C/LFE output I2S_2 input -> Ls/Rs output I2S_0 input -> SCART output (-6dB) 1: I2S_0 input -> L/R output I2S_0 input -> C/LFE output I2S_0 input -> Ls/Rs output I2S_0 input -> SCART output (-6dB)
TEST_MODE[5:4]	00	00: standard configuration 01: bypass processing configuration 10: Clock Loop test 11: Not Used
INPUT_CONFIG	00	00: BTSC + I2S SRC + I2S DELAY + ADC 01: BTSC + I2S 48K + I2S DELAY + ADC 10: Not Used 11: BTSC + MULTI I2S 48K + ADC
REGISTERS_RESET	0	0: I2C register table is not initialized when we soft reset 1: I2C register table is initialized when we soft reset
HOST_RUN	0	0: Soft Reset DSP 1: Start DSP

I2S_IN_CONFIG

I2S Configuration

Address: 86h

Type: R/W

Bit 7	Bit 6	Bit 5	Bit 4	Bit 3	Bit 2	Bit 1	Bit 0
LOCK_MODE_EN	RESET_I2S	SYNC	LRCLK_START	LRCLK_POLARITY	SCLK_POLARITY	DATA_CFG	I2S_MODE

Bit Name	Reset	Function
LOCK_MODE_EN	1	0: Disable Lock Mode for external I2S input 1: Enable Lock Mode for external I2S input
RESET_I2S	0	Reset I2S input sync when set
SYNC	0	I2S Synchronisation: 0: Direct Capture 1: Wait for Sync signal
LRCLK_START	0	according to LRCLK POLARITY, first data take: 0: Left 1: Right
LRCLK_POLARITY	0	Polarity of the left data
SCLK_POLARITY	1	0: Falling Edge 1: Rising Edge
DATA_CFG	1	0: LSB First 1: MSB First
I2S_MODE	1	0: Not Standard Mode 1: Standard Mode

Note: This register must be set before the Start of the Software (85h: HOST_RUN = 1).

I2S_IN_SHIFT_RIGHT

I2S Shift Right

Address: 87h

Type: R/W

Bit 7	Bit 6	Bit 5	Bit 4	Bit 3	Bit 2	Bit 1	Bit 0
0	0	0	SHIFT_RIGHT_RANGE[4:0]				

Bit Name	Reset	Function
Bits [7:5]	000	Reserved
SHIFT_RIGHT_RANGE[4:0]	01000	Define the shift right to apply to 32-bit input samples. Range: 0 to 31

Note: This register has to be set before the Start of the Software (0x85 : HOST_RUN = 1).

I2S_IN_MASK**I2S Mask**

Address: 88h

Type: R/W

Bit 7	Bit 6	Bit 5	Bit 4	Bit 3	Bit 2	Bit 1	Bit 0
0	0	0	WORD_MASK[4:0]				

Bit Name	Reset	Function
Bits [7:5]	000	Reserved
WORD_MASK[4:0]	11111	Define the mask to apply to 32-bit input samples. Range: 0 to 31

Note: This register has to be set before the Start of the Software (0x85 : HOST_RUN = 1).

I2S_IN_STATUS**SRC I2S Input Behaviour**

Address: 89h

Type: R/W

Bit 7	Bit 6	Bit 5	Bit 4	Bit 3	Bit 2	Bit 1	Bit 0
AUTO_SRC_SYNC	ENABLE_IRQ_SRC_FREQ_CHANGE	ENABLE_IRQ_SYNC_FOUND	ENABLE_IRQ_SYNC_LOST		I2S_INPUT_FREQ		

Bit Name	Reset	Function
AUTO_SRC_SYNC	0	Allow the DSP to reset the SRC input DMA when an input freq change is detected. (Working in SRC mode only) 0: no reset on input frequency change 1: reset on input frequency change
ENABLE_IRQ_SRC_FREQ_CHANGE	0	Generate an IRQ3 when a frequency change is detected on SRC input. (Working in SRC mode only) 0: IRQ3 generation not active 1: IRQ3 generation active
ENABLE_IRQ_SYNC_FOUND	0	Generate an IRQ2 when a signal is synchronized on SRC input. (Working in SRC mode only) 0: IRQ2 generation not active 1: IRQ2 generation active
ENABLE_IRQ_SYNC_LOST	0	Generate an IRQ1 when a signal is lost on SRC input. (Working in SRC mode only) 0: IRQ1 generation not active 1: IRQ1 generation active
Bits [3]	0	Reserved
I2S_INPUT_FREQ	(000)	Display the frequency detected on SRC input 000: no signal locked on SRC input 100: signal locked but frequency unknown 001: 32 kHz 101: not used 010: 44.1 kHz 110: not used 011: 48 kHz 111: not used

12.10 Automatic Standard Recognition

AUTOSTD_CTRL

Automatic Standard Recognition Control

Address: 8Ah

Type: R/W

Bit 7	Bit 6	Bit 5	Bit 4	Bit 3	Bit 2	Bit 1	Bit 0
SINGLE_SHOT	MONO_SAP_CTRL_MATRIX	FORCE_SQ_SAP	FORCE_SQ_MONO	AUTO_MUTE	SAP_CHECK	STEREO_CHECK	MONO_CHECK

Bit Name	Reset	Function
SINGLE_SHOT	0	Single-shot mode (To be selected whith any of the Mono/Stereo or Sap check bits): 0: Single Shot mode is not selected 1: Single Shot mode is selected ¹
MON_SAP_CTRL_MATRIX	0	Change the behaviour of the automatic matrix control for SAP language 0: When SAP signal is detected, SAP signal is outputed on both Left and Right channels 1: When SAP signal is detected, Mono signal is outputed on the Left channel and SAP signal is outputed on the Right channel
FORCE_SQ_SAP	0	Force the squelch status during SAP detection by autostandard. 0: SAP squelch from demod status 1: SAP squelch forced to 1
FORCE_SQ_MONO	0	Force the squelch status during MONO detection by autostandard. 0: MONO squelch from demod status 1: MONO squelch forced to 1
AUTO_MUTE	0	0: Output channels are never muted 1: Output channels are automatically muted when no signal is detected
SAP_CHECK	0	0: No SAP standard research 1: SAP standard research
STEREO_CHECK	0	0: No STEREO standard research 1: STEREO standard research (priority is given to SAP if selected)
MONO_CHECK	0	0: No MONO standard research (AutoStandard OFF) 1: MONO standard research (mandatory to activate Autostandard)

1. **Single Shot** mode will pre-program demodulator registers in a choosen standard (bits b2, b1, b0). Autostandard will be switched OFF (Mono_check = 0) after the programation of the registers.

AUTOSTD_TIME

Detection Time Out

Address: 8Bh

Type: R/W

Bit 7	Bit 6	Bit 5	Bit 4	Bit 3	Bit 2	Bit 1	Bit 0
0	0	0	STEREO_TIME[2:0]			FM_TIME[1:0]	

Bit Name	Reset	Function
Bits [7:5]	000	Reserved
STEREO_TIME[2:0]	000	Stereo Detection Time-out 000: 20 ms (Default) 100: 400 ms 001: 40 ms 101: 800 ms 010: 100 ms 110: 1200 ms 011: 200 ms 111: 1600 ms
FM_TIME[1:0]	10	FM Detection Time-out 00: 16 ms 10: 48 ms (Default) 01: 32 ms 11: 64 ms

Note: The time-out default value is optimum and does not normally need to be changed.

AUTOSTD_STATUS

Detection Standard Status

Address: 8Ch

Type: R

Bit 7	Bit 6	Bit 5	Bit 4	Bit 3	Bit 2	Bit 1	Bit 0
0	0	0	0	SAP_OK	STEREO_OK	MONO_OK	AUTOSTD_ON

Bit Name	Reset	Function
Bits[7:4]	0000	Reserved.
SAP_OK	0	SAP Standard Recognition Status 0: SAP Standard not detected 1: SAP Standard detected
STEREO_OK	0	Stereo Standard Recognition Status 0: Stereo Standard not detected 1: Stereo Standard detected
MONO_OK	0	Mono Standard Recognition Status 0: Mono Standard not detected 1: Mono Standard detected
AUTOSTD_ON	0	Automatic Standard Recognition System Status 0: Automatic Standard Recognition System is OFF 1: Automatic Standard Recognition System is ON

AUTOSTD_DEM_STATUS

Demodulator Status

Address: 8Dh

Type: R

Bit 7	Bit 6	Bit 5	Bit 4	Bit 3	Bit 2	Bit 1	Bit 0
0	OVERFLOW	LCK_DET	ST_DET	SAP_SQ	SAP_DET	FM1_CAR	FM1_SQ

Bit Name	Reset	Function
Bits[7]	0	Reserved.
LCK_DET	0	0: Stereo Lock Not Detected 1: Stereo Lock Detected
ST_DET	0	0: Stereo Not Detected 1: Stereo Detected
SAP_SQ	0	0: SAP Squelch Not Detected 1: SAP Squelch Detected
SAP_DET	0	0: SAP Not Detected 1: SAP Detected
FM1_CAR	0	0: FM1 Carrier Not Detected 1: FM1 Carrier Detected
FM1_SQ	0	0: FM1 Squelch Not Detected 1: FM1 Squelch Detected

DMA_FORCE_OFF**Input DMA disable**

Address: 8Eh

Type: R

Bit 7	Bit 6	Bit 5	Bit 4	Bit 3	Bit 2	Bit 1	Bit 0
0	0	0	ADC	I2S2	I2S1	I2S0	DEM0D

Bit Name	Reset	Function
Bits[7:5]	000	Reserved.
ADC	0	0: ADC input DMA active 1: ADC input DMA not active
I2S2	0	0: I2S2 input DMA active 1: I2S2 input DMA not active
I2S1	0	0: I2S1 input DMA active 1: I2S1 input DMA not active
I2S0	0	0: I2S0 input DMA active 1: I2S0 input DMA not active
DEM0D	0	0: Demod input DMA active 1: Demod input DMA not active

Note: This register must be set before the Start of the Software (85h: HOST_RUN = 1).

I2S_IN_DELAY_CONFIG**I2S Configuration for Delay Input**

Address: 8Fh

Type: R/W

Bit 7	Bit 6	Bit 5	Bit 4	Bit 3	Bit 2	Bit 1	Bit 0
0	0	SYNC	LRCLK_START	LRCLK_POLARITY	SCLK_POLARITY	DATA_CFG	I2S_MODE

Bit Name	Reset	Function
Bits[7:6]	00	Reserved.
SYNC	0	I ² S Synchronisation: 0: Direct Capture 1: Wait for Sync signal
LRCLK_START	0	according to LRCLK POLARITY, first data take: 0: Left 1: Right
LRCLK_POLARITY	0	polarity of the left data
SCLK_POLARITY	1	0: Falling Edge 1: Rising Edge
DATA_CFG	1	0: LSB First 1: MSB First
I2S_MODE	1	0: Not Standard Mode 1: Standard Mode

Note: For this input, the *SHIFT_RIGHT* and *MASK* of the I2S input are set.
SHIFT_RIGHT = 0x08
MASK = 0x1F

12.11 Demodulator**BTSC_FINE_PRESCALE_ST****BTSC input prescale for Stereo Mode**

Address: 90h

Type: R/W

Bit 7	Bit 6	Bit 5	Bit 4	Bit 3	Bit 2	Bit 1	Bit 0
BTSC_FINE_PRESCALE_ST[7:0] (S)							

Bit Name	Reset	Function
BTSC_FINE_PRESCALE_ST[7:0]	0000 0000	Set the prescale of the signal coming from the demodulator when STEREO is demodulated in order to optimize the signal level at DBX block input (steps of 0.02 dB): 1000 0000: -2.56 dB ... 0000 0000: 0 dB 0000 0001: 0.02 dB ... 0111 1111: 2.54 dB

BTSC_FINE_PRESCALE_SAP**BTSC Input Prescale for SAP Mode**

Address: 91h

Type: R/W

Bit 7	Bit 6	Bit 5	Bit 4	Bit 3	Bit 2	Bit 1	Bit 0
BTSC_FINE_PRESCALE_SAP[7:0] (S)							

Bit Name	Reset	Function
BTSC_FINE_PRESCALE_SAP[7:0]	0000 0000	Set the prescale of the signal coming from the demodulator when SAP is demodulated in order to optimize the signal level at DBX block input (steps of 0.02 dB): 1000 0000: -2.56 dB ... 0000 0000: 0 dB 0000 0001: 0.02 dB ... 0111 1111: 2.54 dB

BTSC_CONTROL**BTSC Back-end Decoder Control**

Address: 92h

Type: R

Bit 7	Bit 6	Bit 5	Bit 4	Bit 3	Bit 2	Bit 1	Bit 0
FINE_PRESCALE_SELECT_SAP	DBX_DEMATRIX[1:0]	DBX_ON	DEEMPHASIS_CH1[1:0]	DEEMPHASIS_CH0[1:0]			

Bit Name	Reset	Function
FINE_PRESCALE_SELECT_SAP	0	Select the prescale value to apply on second channel before DBX 0: STEREO prescale (register 90h) 1: SAP prescale (register 91h)
DBX_DEMATRIX[1:0]	00	Select L/R Dematrix for STEREO standard 00: No dematrixing (Mono or SAP) 01: L/R Dematrix (STEREO): L=Ch0+(Ch1)/2, R=Ch0-(Ch1)/2 10: Reserved 11: Reserved
DBX_ON	0	0: DBX noise reductor not active 1: DBX noise reductor active on second channel (STEREO or SAP)

12.12 Audio PreProcessing & Selection

PRESCALE_DEMOD_MONO

Prescale for Demod MONO

Address: 94h

Type: R/W

Bit 7	Bit 6	Bit 5	Bit 4	Bit 3	Bit 2	Bit 1	Bit 0
PRESCALE_DEMOD_SELECT_SAP	PRESCALE_DEMOD_MONO[6:0] (S)						

Bit Name	Reset	Function
PRESCALE_DEMOD_SELECT_SAP	0	Select the prescale value to apply on channel 0 (Mono/Stereo): 0: Apply STEREO Prescale (95h) to the demodulated signal. To be used in case of STEREO demodulation. 1: Apply MONO Prescale (94h) on left channel and SAP Prescale (96h) on right channel to the demodulated signal. To be used in case of MONO or SAP demodulation.
PRESCALE_DEMOD_MONO[6:0]	000 0000	Set the prescale of the signal coming from the demodulator when MONO (Channel 0): 101 0000: -12 dB ... 000 0000: 0 dB 000 0001: 0.5 dB ... 011 0000: 24 dB

PRESCALE_DEMOD_STEREO

Prescale for Stereo Demodulation

Address: 95h

Type: R/W

Bit 7	Bit 6	Bit 5	Bit 4	Bit 3	Bit 2	Bit 1	Bit 0
0	PRESCALE_DEMOD_STEREO[6:0] (S)						

Bit Name	Reset	Function
Bits[7]	0	Reserved.
PRESCALE_DEMOD_STEREO[6:0]	000 0000	Sets the prescale value of the Stereo signal coming from the demodulator (Channels 0 and 1): 101 0000: -12 dB ... 000 0000: 0 dB 000 0001: 0.5 dB ... 011 0000: 24 dB

PRESCALE_DEMOD_SAP**Prescale for SAP Demodulation I**

Address: 96h

Type: R/W

Bit 7	Bit 6	Bit 5	Bit 4	Bit 3	Bit 2	Bit 1	Bit 0
0	PRESCALE_DEMOD_SAP[6:0] (S)						

Bit Name	Reset	Function
Bits[7]	0	Reserved.
PRESCALE_DEMOD_SAP[6:0]	000 0000	Set the prescale of the signal coming from the demodulator when SAP (channel 0): 101 0000: -12dB ... 000 0000: 0dB 000 0001: 0.5dB ... 011 0000: 24dB

PRESCALE_SCART**Prescale for SCART**

Address: 97h

Type: R/W

Bit 7	Bit 6	Bit 5	Bit 4	Bit 3	Bit 2	Bit 1	Bit 0
0	PRESCALE_SCART[6:0] (S)						

Bit Name	Reset	Function
Bits[7]	0	Reserved.
PRESCALE_SCART[6:0]	000 0000	Set the prescale of the signal coming from the SCART ADC: 101 0000: -12dB ... 000 0000: 0dB 000 0001: 0.5dB ... 011 0000: 24dB

PRESCALE_I2S0**Prescale for I2S0**

Address: 98h

Type: R/W

Bit 7	Bit 6	Bit 5	Bit 4	Bit 3	Bit 2	Bit 1	Bit 0
0	PRESCALE_I2S0[6:0] (S)						

Bit Name	Reset	Function
Bits[7]	0	Reserved.
PRESCALE_I2S0[6:0]	000 0000	Set the prescale of the signal coming from the I2S0 (SRC input or I2S0 in multichannel input mode): 101 0000: -12dB ... 000 0000: 0dB 000 0001: 0.5dB ... 011 0000: 24dB

PRESCALE_I2S1**Prescale for I2S1**

Address: 99h

Type: R/W

Bit 7	Bit 6	Bit 5	Bit 4	Bit 3	Bit 2	Bit 1	Bit 0
0	PRESCALE_I2S1[6:0] (S)						

Bit Name	Reset	Function
Bits[7]	0	Reserved.
PRESCALE_I2S1[6:0]	000 0000	Set the prescale of the signal coming from the I2S1 (I2S1 in multichannel input mode): 101 0000: -12dB ... 000 0000: 0dB 000 0001: 0.5dB ... 011 0000: 24dB

PRESCALE_I2S2**Prescale for I2S2**

Address: 9Ah

Type: R/W

Bit 7	Bit 6	Bit 5	Bit 4	Bit 3	Bit 2	Bit 1	Bit 0
0	PRESCALE_I2S2[6:0] (S)						

Bit Name	Reset	Function
Bits[7]	0	Reserved.
PRESCALE_I2S2[6:0]	000 0000	Set the prescale of the signal coming from the I2S2 (delay input or I2S2 in multichannel input mode): 101 0000: -12dB ... 000 0000: 0dB 000 0001: 0.5dB ... 011 0000: 24dB

PEAK_R**Peak Detector Right Channel**

Address: 9Dh

Type: R/W

Bit 7	Bit 6	Bit 5	Bit 4	Bit 3	Bit 2	Bit 1	Bit 0
OVERLOAD_R		PEAK_R[6:0] (S)					

Bit Name	Reset	Function
OVERLOAD_R	0	This bit is set to 1 by the DSP when the Right peak detector reaches its maximum value (0x7F). It can be reset to 0.
PEAK_R[6:0]	000 0000	Displays the Absolute Peak Level of the Right channel of the audio source selected. The measured value is updated continuously every 64 ms. The range varies linearly from the full scale (0 dB) down to 1/256 of the full scale (-48 dB). 000 0000:-36dBFS 000 1111:-18dBFS ... 000 0001:-36dBFS 001 1111:-12dBFS ... 000 0011:-30dBFS 011 1111:-6dBFS ... 000 0111:-24dBFS 111 1111:0dBFS ...

PEAK_L_R**Peak Detector Left Minus Right Channel**

Address: 9Eh

Type: R/W

Bit 7	Bit 6	Bit 5	Bit 4	Bit 3	Bit 2	Bit 1	Bit 0
OVERLOAD_L_R		PEAK_L_R[6:0] (S)					

Bit Name	Reset	Function
OVERLOAD_L_R	0	This bit is set to 1 by the DSP when the "Left-Right" peak detector reaches its maximum value (0x7F). It can be reset to 0.
PEAK_L_R[6:0]	000 0000	Displays the Difference between L and R (L - R) channels for the audio source selected: 000 0000:-36dBFS 000 1111:-18dBFS ... 000 0001:-36dBFS 001 1111:-12dBFS ... 000 0011:-30dBFS 011 1111:-6dBFS ... 000 0111:-24dBFS 111 1111:0dBFS ...

12.13 Matrixing

DOWNMIX_MODE

Downmix Mode Configuration

Address: 9Fh

Type: R/W

Bit 7	Bit 6	Bit 5	Bit 4	Bit 3	Bit 2	Bit 1	Bit 0
LT_RT_OUT_MODE	MIX_OUT_MODE[2:0]			LFE_IN	MIX_IN_MODE[2:0]		

Bit Name	Reset	Function
LT_RT_OUT_MODE	0	Define to format for downmix Lt/Rt output: 0: Lt/Rt Prologic compatible mode 1: L/R stereo mode
MIX_OUT_MODE[2:0]	111	Select output channels configuration for downmix: see table 3.
LFE_IN	1	To select if LFE is inputted on I2S1 in multichannel input mode: 0: No LFE on I2S1 input 1: LFE on I2S1 input
MIX_IN_MODE[2:0]	111	Select input channels configuration for downmix: see table 2.

Table 11: DownMix IN modes

Parameter Coding (bin)	Parameter Field Label	Function
000	MODE11	not used
001	MODE10	1/0 (C)
010	MODE20	2/0 (L,R)
011	MODE30	3/0 (L,R,C)
100	MODE21	2/1 (L,R,S)
101	MODE31	3/1 (L,R,C,S)
110	MODE22	2/2 (L,R,Ls,Rs)
111	MODE32	3/2 (L,R,C,Ls,Rs)

Table 12: DownMix OUT modes

Parameter Coding (bin)	Parameter Field Label	Function
000	MODE20t	2/0 Dolby Surround (Lt,Rt)
001	MODE10	1/0 (C)
010	MODE20	2/0 (L,R)

Table 12: DownMix OUT modes (Continued)

Parameter Coding (bin)	Parameter Field Label	Function
011	MODE30	3/0 (L,R,C)
100	MODE21	2/1 (L,R,S)
101	MODE31	3/1 (L,R,C,S)
110	MODE22	2/2 (L,R,Ls,Rs)
111	MODE32	3/2 (L,R,C,Ls,Rs)

DOWNMIX_DUAL_MODE**Downmix Dual Mode Configuration**

Address: A0h

Type: R/W

Bit 7	Bit 6	Bit 5	Bit 4	Bit 3	Bit 2	Bit 1	Bit 0
0	0	0	DUAL_ON	LS_DUAL_SELECT[1:0]	LTRT_DUAL_SELECT[1:0]		

Bit Name	Reset	Function
Bits[7:5]	000	Reserved.
DUAL_ON	0	Select dual mode for DownMix bloc in case of dual language (in dual mode, Input and output mode are forced to 2_0): 0: Standard DownMix 1: DownMix in Dual Mode
LS_DUAL_SELECT [1:0]	00	Select the language for LS output in case of Dual mode: 00: Stereo 10: Right mono 01: Left mono 11: Left + Right mix
LTRT_DUAL_SELECT [1:0]	00	Select the language for LtRt output in case of Dual mode: 00: Stereo 10: Right mono 01: Left mono 11: Left + Right mix

DOWNMIX_CONFIG**Downmix Configuration**

Address: A1h

Type: R/W

Bit 7	Bit 6	Bit 5	Bit 4	Bit 3	Bit 2	Bit 1	Bit 0
0	0	SRND_FACTOR[1:0]		CENTER_FACTOR[1:0]	LR_UPMIX		NORMALIZE

Bit Name	Reset	Function
Bits[7:6]	00	Reserved
SRND_FACTOR [1:0]	00	00: -3 dB 10: -6 dB 01: -4.5 dB 10: -6 dB

Bit Name	Reset	Function
CENTER_FACTOR [1:0]	00	00: -3 dB 10: -6 dB 01: -4.5 dB 11: -4.5 dB
LR_UPMIX	0	0: Upmixing disabled 1: Upmixing enabled (DTS specified)
NORMALIZE	1	0: Normalization disabled 1: Nnormalization enabled

AUDIO_MATRIX1**AudioMatrix Configuration Register**

Address: A2h

Type: R/W

Bit 7	Bit 6	Bit 5	Bit 4	Bit 3	Bit 2	Bit 1	Bit 0
0	0	HP_OUT			LS_OUT		

Bit Name	Reset	Function
Bits[7:6]	00	Reserved
HP_OUT[1:0]	010	Select the source to output on HP. See table 4.
LS_OUT[1:0]	010	Select the source to output on LS. See table 4.

AUDIO_MATRIX2**AudioMatrix part configuration**

Address: A3h

Type: R/W

Bit 7	Bit 6	Bit 5	Bit 4	Bit 3	Bit 2	Bit 1	Bit 0
0	0	SCART2_OUT			SCART1_OUT		

Bit Name	Reset	Function
Bits[7:6]	00	Reserved
SCART2_OUT [1:0]	010	Select the source to output on SCART2: see table 4.
SCART1_OUT [1:0]	010	Select the source to output on SCART1: see table 4.

AUDIO_MATRIX3**AudioMatrix part configuration**

Address: A4h

Type: R/W

Bit 7	Bit 6	Bit 5	Bit 4	Bit 3	Bit 2	Bit 1	Bit 0
0	0	SPDIF_OUT			DELAY_OUT		

Bit Name	Reset	Function
Bits[7:6]	00	Reserved.
SPDIF_OUT[1:0]	010	Select the source to output on SPDIF. See table 4.
DELAY_OUT[1:0]	010	Select the source to output on DELAY. See table 4.

Table 13: AudioMatrix Input Sources

Parameter Coding (bin)	Parameter Field Label	Function
000	MUTE	Mute Output
001	DELAY	Delay Input
010	DEMOMD	BTSC Demod Input
011	LtRt	Downmix LtRt Input
100	I2S	I2S Input
101	SCART	SCART Input
110	-	Reserved
111	-	Reserved

CHANNEL_MATRIX_LS**Channel Matrix Configuration**

Address: A5h

Type: R/W

Bit 7	Bit 6	Bit 5	Bit 4	Bit 3	Bit 2	Bit 1	Bit 0
AUTOSTD_CTRL_LS	AUTOSTD_CTRL_SPDIF	0	0	0	CM_MATRIX_LS[2:0]		

Bit Name	Reset	Function
AUTOSTD_CTRL_LS	0	<p>If this bit is activated, Autostandard algorithm will select automatically the appropriate matrixing (Bits[2:0]) for LS output channels depending on the detected standard (see table 6).</p> <p>0: Manual Matrix Selection 1: Automatic Matrix Selection if AutoStandard is ON</p> <p><i>Note: Automatic Matrix Selection must be used only when DEMOD signal is directed to the Matrix.</i></p>

Bit Name	Reset	Function
AUTOSTD_CTRL_SPDIF	0	If this bit is activated, Autostandard algorithm will select automatically the appropriate matrixing (bits[2:0]) for SPDIF output channels depending on the detected standard (see table 6). 0: Manual Matrix Selection 1: Automatic Matrix Selection if AutoStandard is ON <i>Note: Automatic Matrix Selection must be used only when DEMOD signal is directed to the Matrix.</i>
Bits[5:3]	000	Reserved
CM_MATRIX_LS[2:0]	0000	Select the matrixing for the LS channels. See table 5.

CHANNEL_MATRIX_HP**Channel Matrix Configuration**

Address: A6h

Type: R/W

Bit 7	Bit 6	Bit 5	Bit 4	Bit 3	Bit 2	Bit 1	Bit 0
AUTOSTD_CTRL_HP	CM_SOURCE_HP[1:0]		CM_POSITION_HP[1:0]		CM_MATRIX_HP[2:0]		

Bit Name	Reset	Function
AUTOSTD_CTRL_HP	0	If this bit is activated, Autostandard algorithm will select automatically the appropriate matrixing (bits[2:0]) for HP output channels depending on the detected standard (see table 6). 0: Manual Matrix Selection 1: Automatic Matrix Selection if AutoStandard is ON <i>Note: Automatic Matrix Selection must be used only when DEMOD signal is directed to the Matrix.</i>
CM_SOURCE_HP[2:0]	00	Select the source to copy on HP channel. See table 7.
CM_POSITION_HP[1:0]	00	Select the position for the HP matrix. See block diagram
CM_MATRIX_HP[2:0]	0000	Select the matrixing for the HP channels. See table 5.

CHANNEL_MATRIX_SCART1**Channel Matrix configuration**

Address: A7h

Type: R/W

Bit 7	Bit 6	Bit 5	Bit 4	Bit 3	Bit 2	Bit 1	Bit 0
AUTOSTD_CTRL_SCART1	CM_SOURCE_SCART1[1:0]		CM_POSITION_SCART1[1:0]		CM_MATRIX_SCART1[2:0]		

Bit Name	Reset	Function
AUTOSTD_CTRL_SCART1	0	If this bit is activated, Autostandard algorithm will select automatically the appropriate matrixing (Bits[2:0]) for SCART1 output channels depending on the detected standard (see table 6). 0: Manual Matrix Selection 1: Automatic Matrix Selection if AutoStandard is ON <i>Note: Automatic Matrix Selection must be used only when DEMOD signal is directed to the Matrix.</i>
CM_SOURCE_SCART1[2:0]	00	Select the source to copy on SCART1 channel. See table 7.
CM_POSITION_SCART1[1:0]	00	Select the position for the SCART1 matrix. See block diagram
CM_MATRIX_SCART1[2:0]	0000	Select the matrixing for the SCART1 channels. See table 5.

CHANNEL_MATRIX_SCART2 Channel Matrix configuration

Address: A8h

Type: R/W

Bit 7	Bit 6	Bit 5	Bit 4	Bit 3	Bit 2	Bit 1	Bit 0
AUTOSTD_CTRL_SCART2	CM_SOURCE_SCART2[1:0]	CM_POSITION_SCART2[1:0]	CM_MATRIX_SCART2[2:0]				

Bit Name	Reset	Function
AUTOSTD_CTRL_SCART2	0	If this bit is activated, Autostandard algorithm will select automatically the appropriate matrixing (Bits[2:0]) for SCART2 output channels depending on the detected standard (see table 6). 0: Manual Matrix Selection 1: Automatic Matrix Selection if AutoStandard is ON <i>Note: Automatic Matrix Selection must be used only when DEMOD signal is directed to the Matrix.</i>
CM_SOURCE_SCART2[2:0]	00	Select the source to copy on SCART2 channel. See table 7.
CM_POSITION_SCART2[1:0]	00	Select the position for the SCART2 matrix. See block diagram
CM_MATRIX_SCART2[2:0]	0000	Select the matrixing for the SCART2 channels. See table 5.

CHANNEL_MATRIX_SPDIF Channel Matrix Configuration

Address: A9h

Type: R/W

Bit 7	Bit 6	Bit 5	Bit 4	Bit 3	Bit 2	Bit 1	Bit 0
CM_SOURCE_SPDIF[2:0]		CM_POSITION_SPDIF[1:0]		CM_MATRIX_SPDIF[2:0]			

Bit Name	Reset	Function
CM_SOURCE_SPDIF[2:0]	000	Select the source to copy on SPDIF channel. See table 7.
CM_POSITION_SPDIF[1:0]	00	Select the position for the SPDIF matrix. See block diagram.
CM_MATRIX_SPDIF[2:0]	0000	Select the matrixing for the SPDIF channels. See table 5.

Table 14: Channel Matrix Modes

Parameter Coding (Bin)	Parameter Field Label	Function
000	BYPASS	Bypass Stereo Signal
001	LEFT ONLY	Copy Left Signal On Both Channels
010	RIGHT ONLY	Copy Right Signal On Both Channels
011	LEFT + RIGHT MIX	Copy (Left + Right)/2 On Both Channels
100	SWAP	Swap Channel (Left = Right, Right = Left)
101	-	Reserved
110	-	Reserved
111	-	Reserved

Table 15: Automatic Channel Matrix Modes

Standard Detected by Autostandard	MONO_SAP_CTRL_MATRIX reg 0x8A, bit[6] value = 0		MONO_SAP_CTRL_MATRIX reg 0x8A, bit[6] value = 1	
	Left Output	Right Output	Left Output	Right Output
Mono	Mono Signal	Mono Signal	Mono Signal	Mono Signal
Stereo	Left Signal	Right Signal	Left Signal	Right Signal
SAP	SAP Signal	SAP Signal	Mono Signal	SAP Signal

Table 16: Channel Matrix Source Selection

Parameter Coding (Bin)	Parameter Field Label	Function
000	BYPASS	bypass stereo signal coming from Audiomatrix
001	LS Channels	copy signal from LS channels
010	HP Channels	copy signal from HP channels
011	C/Sub Channels	copy signal from C/Sub channels (ONLY AVAILABLE ON SPDIF CHANNEL MATRIX)
100	Ls/Rs Channels	copy signal from Ls/Rs channels (ONLY AVAILABLE ON SPDIF CHANNEL MATRIX)
101	-	Reserved

Table 16: Channel Matrix Source Selection (Continued)

Parameter Coding (Bin)	Parameter Field Label	Function
110	-	Reserved
111	-	Reserved

DEMOD_DC_LEVEL**DC Level on Demod FM Mono Input**

Address: AAh

Type: R

Bit 7	Bit 6	Bit 5	Bit 4	Bit 3	Bit 2	Bit 1	Bit 0
DEMOD_DC_LEVEL[7:0] (S)							

Bit Name	Reset	Function
DEMOD_DC_LEVEL[7:0]	(0000 0000)	Display the amount of the DC component in the signal coming from the FM mono channel. This DC Level can be used to implement a Carrier Offset compensation.

12.14 Audio Processing**AV_DELAY_CONFIG****AV Delay Configuration**

Address: ADh

Type: R/W

Bit 7	Bit 6	Bit 5	Bit 4	Bit 3	Bit 2	Bit 1	Bit 0
0	0	0	0	0	0	DOLBY_DELAY_ON	AV_DELAY_ON

Bit Name	Reset	Function
Bits[7:2]	0000 00	Reserved
DOLBY_DELAY_ON	0	Must be set to 1 to use the Center, Left Srnd and Right Srnd delays for ProLogic decoder multi-channel output. <i>Note: This value must be updated when AV_DELAY_ON = 0..</i>
AV_DELAY_ON	0	0: No AV delay 1: AV delay is active

AV_DELAY_TIME_LS**AV Delay LS Configuration**

Address: AEh

Type: R/W

Bit 7 Bit 6 Bit 5 Bit 4 Bit 3 Bit 2 Bit 1 Bit 0

AV_DELAY_TIME_LS[7:0]

Bit Name	Reset	Function
AV_DELAY_TIME_LS[7:0]	0000 0000	Set the delay time for LS channel. 0000 0000: 0 ms 0000 0001: 0.66 ms ... 1011 0001: 116.82 ms (max) <i>Note: this value must be updated when AV_DELAY_ON = 0..</i>

AV_DELAY_TIME_HP**AV Delay HP Configuration**

Address: AFh

Type: R/W

Bit 7 Bit 6 Bit 5 Bit 4 Bit 3 Bit 2 Bit 1 Bit 0

AV_DELAY_TIME_HP[7:0]

Bit Name	Reset	Function
AV_DELAY_TIME_HP[7:0]	0000 0000	Set the delay time for HP channel. 0000 0000: 0 ms 0000 0001: 0.66 ms ... 1011 0001: 116.82 ms (max) <i>Note: this value must be updated when AV_DELAY_ON = 0..</i>

Note: The sum of AV_DELAY_TIME_LS and AV_DELAY_TIME_HP must not exceed:

- 177 (116.82 ms) if DOLBY_DELAY_ON = 0
- 100 (66.66 ms) if DOLBY_DELAY_ON = 1

PRO_LOGIC2_CONTROL**Dolby ProLogic 2 Mode Configuration**

Address: B0h

Type: R/W

Bit 7 Bit 6 Bit 5 Bit 4 Bit 3 Bit 2 Bit 1 Bit 0

PL2_LFE	PL2_OUTPUT_DOWNMIX[2:0]	PL2_MODES[2:0]	PL2_ACTIVE
---------	-------------------------	----------------	------------

Bit Name	Reset	Function
PL2_LFE	0	0: Reset the LFE channel 1: Bypass the LFE channel
PL2_OUTPUT_DO WNMIX[2:0]	000	000: not applicable 001: not applicable 010: not applicable 011: 3/0 output mode (L,R,C) 100: 2/1 output mode (L,R,Ls - phantom) 101: 3/1 output mode (L,R,C,Ls) 110: 2/2 output mode (L,R,Ls,Rs - phantom) 111: 3/2 output mode (L,R,C,Ls,Rs)
PL2_MODES[2:0]	000	000: Pro Logic 1 Emulation 001: Virtual 010: Music 011: Movie (standard) 100: Matrix 101: Custom 110: not applicable 111: not applicable
PL2_ACTIVE	0	0: Dolby ProLogic 2 is not active 1: Dolby ProLogic 2 is active

PRO_LOGIC2_CONFIG**Dolby ProLogic 2 Configuration**

Address: B1h

Type: R/W

Bit 7	Bit 6	Bit 5	Bit 4	Bit 3	Bit 2	Bit 1	Bit 0
0	0	0	PL2_SRND_FILTER[1:0]		PL2_RS_POLARITY	PL2_PANORAMA	PL2_AUTOBALANCE

Bit Name	Reset	Function
Bits[7:6]	00	Reserved.
PL2_SRND_FILTER[1:0]	00	00: Off 01: Shelf 10: 7-kHz LP 11: not applicable
PL2_RS_POLARITY	0	0: Rs polarity normal 1: Rs polarity inverted
PL2_PANORAMA	0	0: Panorama Off 1: Panorama On
PL2_AUTOBALANCE	0	0: Autobalance Off 1: Autobalance On

PRO_LOGIC2_DIMENSION**Dolby ProLogic 2 Dimension**

Address: B2h

Type: R/W

Bit 7	Bit 6	Bit 5	Bit 4	Bit 3	Bit 2	Bit 1	Bit 0
0	PL2_C_WIDTH			0	PL2_DIMENSION		

Bit Name	Reset	Function
Bit 7	0	Reserved.
PL2_C_WIDTH[2:0]	000	ProLogic 2 center width: 000: 0, no spread 100: 54 001: 20 101: 62 010: 28 110: 69 011: 36 111: 90, phantom
Bit 3	0	Reserved.
PL2_DIMENSION [2:0]	000	ProLogic 2 dimension: 000: -3, most surround 100: 1 001: -2 101: 2 010: -1 110: 3, most center 011: 0, neutral 111: not used

PRO_LOGIC2_LEVEL**Dolby ProLogic 2 Input Level**

Address: B3h

Type: R/W

Bit 7	Bit 6	Bit 5	Bit 4	Bit 3	Bit 2	Bit 1	Bit 0
PL2_LEVEL							

Bit Name	Reset	Function
PL2_LEVEL[7:0]	00000000 0	Input Gain attenuation: 0000 0000: 0 dB 0000 0001: -0.5 dB ... 1111 1111: -127.5 dB

NOISE_GENERATOR**Pink Noise Generator**

Address: B4h

Type: R/W

Bit 7	Bit 6	Bit 5	Bit 4	Bit 3	Bit 2	Bit 1	Bit 0
10_DB_ATTENUATE	SRIGHT_NOISE	SLEFT_NOISE	SUB_NOISE	CENTER_NOISE	RIGHT_NOISE	LEFT_NOISE	NOISE_ON

Bit Name	Reset	Function
10_DB_ATTENUATE	0	0: noise is output with full range 1: noise is output with a 10dB attenuation
SRIGHT_NOISE	0	1: Generates noise on LS right surround output
SLEFT_NOISE	0	1: Generates noise on LS left surround output
SUB_NOISE	0	1: Generates noise on LS subwoofer output

Bit Name	Reset	Function
CENTER_NOISE	0	1: Generates noise on LS center output
RIGHT_NOISE	0	1: Generates noise on LS right output
LEFT_NOISE	0	1: Generates noise on LS left output
NOISE_ON	0	0: Noise Generation not active 1: Noise Generation active

PCM_SRND_DELAY**Dolby Surround Delay**

Address: B5h

Type: R/W

Bit 7	Bit 6	Bit 5	Bit 4	Bit 3	Bit 2	Bit 1	Bit 0
0	0	0	DOLBY_DELAY_SRND[4:0]				

Bit Name	Reset	Function
Bits[7:5]	000	Reserved.
DOLBY_DELAY_S RND[4:0]	00000	Surround Channel Delay Range: 0 to 30 (in ms)

Note: To use this feature, set the DOLBY_DELAY_ON bit to 1 in register AV_DELAY_CONFIG (ADh).

PCM_CENTER_DELAY**Dolby Center Delay Register**

Address: B6h

Type: R/W

Bit 7	Bit 6	Bit 5	Bit 4	Bit 3	Bit 2	Bit 1	Bit 0
0	0	0	0	DOLBY_DELAY_CENTER[3:0]			

Bit Name	Reset	Function
Bits[7:4]	0000	Reserved.
DOLBY_DELAY_C ENTER[3:0]	0000	Center Channel Delay Range: 0 to 10 (in ms)

Note: To use this feature, set the DOLBY_DELAY_ON bit to 1 in register AV_DELAY_CONFIG (ADh).

TRUSRND_CONTROL**SRS TruSurround Control**

Address: B7h

Type: R/W

Bit 7	Bit 6	Bit 5	Bit 4	Bit 3	Bit 2	Bit 1	Bit 0
DIALOG_CLARITY_ON	HEADPHONE_ON	TRUSRND_INPUT_MODE[3:0]				TRUSRND_BYPASS	TRUSRND_ON

Bit Name	Reset	Function
DIALOG_CLARITY_ON	0	0: Dialog Clarity OFF 1: Dialog Clarity ON <i>Note: The Dialog Clarity Level is set in register 0xB8: TRUSRND_DC_ELEVATION</i>
HEADPHONE_ON	0	Process the sound especially for Headphone. This option must be selected only if the TruSurround sound is redirected to the headphone output thanks to the HP channel matrix. 0: Standard mode for Loudspeaker output 1: Headphone mode for Headphone output only
TRUSRND_INPUT_MODE[3:0]	0000	0000: Mono on Center channel 0001: Mono on Left channel 0010: L/R stereo (SRS mode) 0011: L/R/S (SRS mode, Prologic 1 Process) 0100: L/R/Ls/Rs (SRS mode) 0101: L/R/C (TruSurround mode) 0110: L/R/C/S (TruSurround mode, Prologic 1 Process) 0111: L/R/C/Ls/Rs (TruSurround mode) 1000: Lt/Rt (TruSurround mode) 1001: L/R/C/Ls/Rs (SRS mode, BS Digital Broadcast) 1010: L/R/C/Ls/Rs (TruSurround, Prologic 2 Music mode)
TRUSRND_BYPASS	0	Bypass the TruSurround effect by applying a simple downmix on input channels. 0: TruSurround mode 1: Bypass mode (downmix to 2 channels)
TRUSRND_ON	0	0: TruSurround OFF 1: TruSurround ON

TRUSRND_DC_ELEVATION**Set Dialog Clarity Level**

Address: B8h

Type: R/W

Bit 7	Bit 6	Bit 5	Bit 4	Bit 3	Bit 2	Bit 1	Bit 0
TRUSRND_DC_ELEVATION[7:0]							

Bit Name	Reset	Function
TRUSRND_DC_ELEVATION[7:0]	0000 1100	Dialog Clarity Elevation: 0000 0000: 0 dB 0000 0001: -0.5 dB ... 1111 1111: -127.5 dB

TRUSRND_INPUT_GAIN**Input Gain for TruSurround**

Address: B9h

Type: R/W

Bit 7 Bit 6 Bit 5 Bit 4 Bit 3 Bit 2 Bit 1 Bit 0

TRUSRND_INPUT_GAIN[7:0]

Bit Name	Reset	Function
TRUSRND_INPUT_GAIN[7:0]	0000 0000	Input Gain attenuation: 0000 0000: 0 dB 0000 0001: -0.5 dB ... 1111 1111: -127.5 dB

TRUBASS_LS_CONTROL**SRS TruBass for LS Configuration**

Address: BAh

Type: R/W

Bit 7 Bit 6 Bit 5 Bit 4 Bit 3 Bit 2 Bit 1 Bit 0

0

0

0

0

TRUBASS_LS_SIZE[2:0]

TRUBASS_LS_ON

Bit Name	Reset	Function
Bits[7:3]	0000	Reserved.
TRUBASS_LS_SIZE[2:0]	011	000: LF response at 40 Hz 100: LF response at 200 Hz 001: LF response at 60 Hz 101: LF response at 250 Hz 010: LF response at 100 Hz 110: LF response at 300 Hz 011: LF response at 150 Hz 111: LF response at 400 Hz
TRUBASS_LS_ON	0	0: LS TruBass OFF 1: LS TruBass ON

TRUBASS_LS_LEVEL**SRS TruBass for LS Level**

Address: BBh

Type: R/W

Bit 7 Bit 6 Bit 5 Bit 4 Bit 3 Bit 2 Bit 1 Bit 0

TRUBASS_LS_LEVEL[7:0]

Bit Name	Reset	Function
TRUBASS_LS_LEV EL[7:0]	0000 1001	Define the amount of SRS TruBass effect for LS outputs: 0000 0000: 0dB 0000 0001: -0.5dB ... 1111 1111: -127.5dB

TRUBASS_HP_CONTROL SRS TruBass for HP Configuration

Address: BCh

Type: R/W

Bit 7	Bit 6	Bit 5	Bit 4	Bit 3	Bit 2	Bit 1	Bit 0
SRS_TSXT_G AIN_ON	0	0	0	TRUBASS_HP_SIZE[2:0]			TRUBASS_HP _ON

Bit Name	Reset	Function
SRS_TSXT_GAIN_ ON	0	Apply the TruSurround Gain (register 0xB9) to the TruBass input block. This gain must be applied only if the TruSurround signal have been redirected to the TruBass HP thanks to the HP Channel Matrix. 0: TSXT input gain is not applied 1: TSXT input gain is applied. (this configuration must be used if the LS signal processed with TSXT is redirected to the HP channel)
Bits[6:3]	000	Reserved.
TRUBASS_HP_SIZ E[2:0]	011	000: LF response at 40 Hz 100: LF response at 200 Hz 001: LF response at 60 Hz 101: LF response at 250 Hz 010: LF response at 100 Hz 110: LF response at 300 Hz 011: LF response at 150 Hz 111: LF response at 400 Hz
TRUBASS_HP_ON	0	0: HP TruBass OFF 1: HP TruBass ON

TRUBASS_HP_LEVEL SRS TruBass for HP Level

Address: BDh

Type: R/W

Bit 7	Bit 6	Bit 5	Bit 4	Bit 3	Bit 2	Bit 1	Bit 0
TRUBASS_HP_LEVEL[7:0]							

Bit Name	Reset	Function
TRUBASS_HP_LE VEL[7:0]	0000 1001	Define the amount of SRS TruBass effect for HP outputs: 0000 0000: 0dB 0000 0001: -0.5dB ... 1111 1111: -127.5dB

SVC_LS_CONTROL**Smart Volume Control for LS**

Address: BEh

Type: R/W

Bit 7	Bit 6	Bit 5	Bit 4	Bit 3	Bit 2	Bit 1	Bit 0
0	0	0	0	SVC_LS_INPUT[1:0]		SVC_LS_AMP	SVC_LS_ON

Bit Name	Reset	Function
Bits[7:4]	0000	Reserved.
SVC_LS_INPUT[1:0]	00	Select input for peak detection in multichannel mode: 00: Left/Right 01: Center 10: Left/Right/Center 11: Not Used
SVC_LS_AMP	1	0: 0 dB amplification in auto-mode 1: +6 dB amplification in auto-mode
SVC_LS_ON	0	0: Manual mode(simple prescaler) 1: Automatic mode

SVC_LS_TIME_TH**Smart Volume Control Parameters for LS**

Address: BFh

Type: R/W

Bit 7	Bit 6	Bit 5	Bit 4	Bit 3	Bit 2	Bit 1	Bit 0
SVC_LS_TIME[2:0]				SVC_LS_THRESHOLD[4:0]			

Bit Name	Reset	Function
SVC_LS_TIME[2:0]	100	Time Constant for Amplification (6-dB gain step) in Automatic mode: 000: 30 ms 100: 16 s 001: 200 ms 101: 32 s 010: 500 ms 110: 64 s 011: 1 s 111: 128 s
SVC_LS_THRESH OLD[4:0]	11000	See tables 8 and 9

Table 17: Gain (Threshold Field) Values in Manual mode

Manual Mode	Gain (dB)
00101	+15.5
00100	+12
00011	+9.5
00010	+6

Table 17: Gain (Threshold Field) Values in Manual mode (Continued)

Manual Mode	Gain (dB)
00001	+3.5
00000	0
11111	-2.5
11110	-6
11101	-8.5
11100	-12
11011	-14.5
11010	-18
11001	-20.5
11000	-24
10111	-26.5
10110	-30

Table 18: Threshold values in Automatic mode

Automatic Mode	Threshold (dB)
11111	-2.5
11110	-6
11101	-8.5
11100	-12
11011	-14.5
11010	-18
11001	-20.5
11000	-24
10111	-26.5
10110	-30

SVC_LS_GAIN**Make-up Gain for SVC LS**

Address: C0h

Type: R/W

Bit 7	Bit 6	Bit 5	Bit 4	Bit 3	Bit 2	Bit 1	Bit 0
0	0	SVC_LS_GAIN[5:0]					

Bit Name	Reset	Function
Bits[7:6]	00	Reserved.

Bit Name	Reset	Function
SVC_LS_GAIN[5:0]	000000	Set "make-up" gain applied at SVC LS output: 000000: +0 dB 000001: +0.5 dB ... 101110: +23 dB 101111: +23.5 dB 110000: +24 dB

SVC_HP_CONTROL**Smart Volume Control for HP**

Address: C1h

Type: R/W

Bit 7	Bit 6	Bit 5	Bit 4	Bit 3	Bit 2	Bit 1	Bit 0
0	0	0	0	0	0	SVC_HP_AMP	SVC_HP_ON

Bit Name	Reset	Function
Bits[7:2]	0000 00	Reserved.
SVC_HP_AMP	1	0: 0 dB amplification in auto-mode 1: +6 dB amplification in auto-mode
SVC_HP_ON	0	0: Manual mode (simple prescaler) 1: Automatic mode

SVC_HP_TIME_TH**Smart Volume Control Parameters for HP**

Address: C2h

Type: R/W

Bit 7	Bit 6	Bit 5	Bit 4	Bit 3	Bit 2	Bit 1	Bit 0
SVC_HP_TIME[2:0]				SVC_HP_THRESHOLD[4:0]			

Bit Name	Reset	Function
SVC_HP_TIME[2:0]	100	Time Constant for Amplification (6-dB gain step) in Automatic mode: 000: 30 ms 100: 16 s 001: 200 ms 101: 32 s 010: 500 ms 110: 64 s 011: 1 s 111: 128 s
SVC_HP_THRESH OLD[4:0]	11000	See tables 8 and 9

SVC_HP_GAIN**Make-up Gain for SVC HP**

Address: C3h

Type: R/W

Bit 7	Bit 6	Bit 5	Bit 4	Bit 3	Bit 2	Bit 1	Bit 0
0	0	SVC_HP_GAIN[5:0]					

Bit Name	Reset	Function
Bits[7:6]	00	Reserved.
SVC_HP_GAIN[5:0]	000000	Set "make-up" gain applied at SVC HP output: 000000: +0 dB 000001: +0.5 dB ... 101110: +23 dB 101111: +23.5 dB 110000: +24 dB

WIDESRND_CONTROL**ST Wide Surround Control**

Address: C4h

Type: R/W

Bit 7	Bit 6	Bit 5	Bit 4	Bit 3	Bit 2	Bit 1	Bit 0
0	0	0	0	0	WIDESRND_S TEREO	WIDESRND_ MODE	WIDESRND_ ON

Bit Name	Reset	Function
Bits[7:3]	00000	Reserved.
WIDESRND_STEREO	0	ST Wide Surround Sound Stereo Mode 0: ST Wide Surround Sound in Mono mode (Default) 1: ST Wide Surround Sound in Stereo mode
WIDESRND_MODE	0	ST Wide Surround Sound Stereo Mode 0: Movie Mode 1: Music Lode
WIDESRND_ON	0	ST Wide Surround Sound Enable 0: ST Wide Surround Sound is disabled 1: ST Wide Surround Sound is enabled

WIDESRND_FREQ**ST Wide Surround Sound Frequency**

Address: C5h

Type: R/W

Bit 7	Bit 6	Bit 5	Bit 4	Bit 3	Bit 2	Bit 1	Bit 0
0	0	WIDESRND_BASS[1:0]	WIDESRND_MEDIUM[1:0]	WIDESRND_TREBLE[1:0]			

Bit Name	Reset	Function
Bits[7:6]	00	Reserved.
WIDESRND_BASS[1:0]	01	Defines the bass frequency effect for ST Wide Surround Sound. Programmable values are listed in Table 10.
WIDESRND_MEDIUM[1:0]	01	Defines the medium frequency effect for ST Wide Surround Sound in Movie or Mono mode (no effect in Music mode). Programmable values are listed in Table 10.
WIDESRND_TREBLE[1:0]	01	Defines the treble frequency effect for ST Wide Surround Sound in Movie or Mono mode (no effect in Music mode). Programmable values are listed in Table 10.

Table 19: Phase Shifter Center Frequencies

	Phase Shifter Center Frequency		
	BASS_FREQ[1:0]	MEDIUM_FREQ[1:0]	TREBLE_FREQ[1:0]
00	40 Hz	202 Hz	2 kHz
01 (Default)	90 Hz	416 Hz	4 kHz
10	120 Hz	500 Hz	5 kHz
11	160 Hz	588 Hz	6 kHz

WIDESRND_LEVEL**ST Wide Surround Gain**

Address: C6h

Type: R/W

Bit 7 Bit 6 Bit 5 Bit 4 Bit 3 Bit 2 Bit 1 Bit 0

WIDESRND_GAIN[7:0]

Bit Name	Reset	Function																		
WIDESRND_GAIN[7:0]	10000000	<p>Defines the ST Wide Surround Sound component gain in linear scale.</p> <table border="1"> <thead> <tr> <th></th> <th>Level (%)</th> <th>Level (%)</th> </tr> </thead> <tbody> <tr> <td>1000 0000 (Default)</td> <td>100%</td> <td>0000 0100 3.1%</td> </tr> <tr> <td>0111 1111</td> <td>99.2%</td> <td>0000 0011 2.3%</td> </tr> <tr> <td>0111 1110</td> <td>98.4%</td> <td>0000 0010 1.6%</td> </tr> <tr> <td>0111 1101</td> <td>97.6%</td> <td>0000 0001 0.8%</td> </tr> <tr> <td>.....</td> <td></td> <td>0000 0000 0%</td> </tr> </tbody> </table>		Level (%)	Level (%)	1000 0000 (Default)	100%	0000 0100 3.1%	0111 1111	99.2%	0000 0011 2.3%	0111 1110	98.4%	0000 0010 1.6%	0111 1101	97.6%	0000 0001 0.8%		0000 0000 0%
	Level (%)	Level (%)																		
1000 0000 (Default)	100%	0000 0100 3.1%																		
0111 1111	99.2%	0000 0011 2.3%																		
0111 1110	98.4%	0000 0010 1.6%																		
0111 1101	97.6%	0000 0001 0.8%																		
.....		0000 0000 0%																		

OMNISURROUND_CONTROL**ST Omnisurround Configuration**

Address: C7h

Type: R/W

Bit 7 Bit 6 Bit 5 Bit 4 Bit 3 Bit 2 Bit 1 Bit 0

ST_VOICE[1:0]	SRND_PHASE_INV	OMNISRND_INPUT_MODE[3:0]	OMNISRND_ON
---------------	----------------	--------------------------	-------------

Bit Name	Reset	Function
ST_VOICE[1:0]	00	00: OFF 01: Low 10: Mid 11: High
SRND_PHASE_INV	0	Invert Right Surround phase in 2_2 or 3_2 input mode: 0: Right Surround phase not inverted 1: Right Surround phase inverted
OMNISRND_INPUT_MODE[3:0]	0000	0000: Mono on center channel 0101: L/R/C 0001: Mono on left channel 0110: L/R/C/S 0010: L/R stereo 0111: L/R/C/Ls/Rs 0011: L/R/S 1000: Lt/Rt (Passive matrix) 0100: L/R/Ls/Rs
OMNISRND_ON	0	0: OmniSurround OFF 1: OmniSurround ON

DYNAMIC_BASS_LS**ST Dynamic Bass for LS**

Address: C8h

Type: R/W

Bit 7	Bit 6	Bit 5	Bit 4	Bit 3	Bit 2	Bit 1	Bit 0
LS_BASS_LEVEL[4:0]					LS_BASS_FREQ[1:0]		LS_DYN_BASS_ON

Bit Name	Reset	Function
LS_BASS_LEVEL [4:0]	00000	ST Dynamic Bass output gain: 00000: +0dB 00001: +0.5dB ... 11101: +14.5dB 11110: +15dB 11111: +15.5dB
LS_BASS_FREQ [1:0]	00	00: 100-Hz Cut-Off frequency 10: 200-Hz Cut-Off frequency 01: 150-Hz Cut-Off frequency 11: 250-Hz Cut-Off frequency
LS_DYN_BASS_ON	0	0: ST Dynamic Bass OFF 1: ST Dynamic Bass ON

DYNAMIC_BASS_HP**ST Dynamic Bass for HP**

Address: C9h

Type: R/W

Bit 7	Bit 6	Bit 5	Bit 4	Bit 3	Bit 2	Bit 1	Bit 0
HP_BASS_LEVEL[4:0]					HP_BASS_FREQ[1:0]		HP_DYN_BASS_ON

Bit Name	Reset	Function
HP_BASS_LEVEL[4:0]	00000	ST Dynamic Bass output gain: 00000: +0dB 00001: +0.5dB ... 11101: +14.5dB 11110: +15dB 11111: +15.5dB
HP_BASS_FREQ[1:0]	00	00: 100-Hz Cut-Off frequency 10: 200-Hz Cut-Off frequency 01: 150-Hz Cut-Off frequency 11: 250-Hz Cut-Off frequency
HP_DYN_BASS_ON	0	0: ST Dynamic Bass OFF 1: ST Dynamic Bass ON

BASS_ENHANCE_LS**ST Bass Enhancer for LS**

Address: CAh

Type: R/W

Bit 7	Bit 6	Bit 5	Bit 4	Bit 3	Bit 2	Bit 1	Bit 0
0	0	LS_BASS_ENHANCE_HP_FILTER	LS_BASS_ENHANCE_SCALE[2:0]		LS_BASS_ENHANCE_CUTOFF	LS_BASS_ENHANCE_ON	

Bit Name	Reset	Function
Bits[7:6]	00	Reserved.
LS_BASS_ENHANCE_HP_FILTER	0	Add an High Pass Filter in order to reduce the lower bass content in the signal in order to reduce the constraint on small speakers. 0: No High Pass Filter. To be used on wide band speakers 1: High Pass Filter. To be used on narrow band speakers.
LS_BASS_ENHANCE_SCALE[2:0]	000	Set the amount of bass generated by the processing: 000: Light Bass Content ... 111: Strong Bass Content
LS_BASS_ENHANCE_CUTOFF	0	Define the corner frequency for the bass generation: 0: Cutoff Frequency = 80 Hz 1: Cutoff Frequency = 120 Hz
LS_DYN_BASS_ON	0	0: ST Bass Enhancer OFF 1: ST Bass Enhancer ON

EQ_BT_CTRL**Loudspeakers Equalizer Control**

Address: CCh

Type: R/W

Bit 7	Bit 6	Bit 5	Bit 4	Bit 3	Bit 2	Bit 1	Bit 0
0	0	0	0	0	HP_BT_ON	LS_EQ_BT_SW	LS_EQ_ON

Bit Name	Reset	Function
Bits[7:3]	00000	Reserved.
HP_BT_ON	0	Bass-Treble for HP Enable 0: Bass-Treble is disabled 1: Bass-Treble is enabled
LS_EQ_BT_SW	0	5-Band Equalizer or Bass-Treble for LS selection 0: 5-Band Equalizer is selected for Loudspeakers. 1: Bass-Treble is selected for Loudspeakers.
LS_EQ_ON	1	5-Band Equalizer/Bass-Treble for LS Enable 0: 5-Band Equalizer/Bass-Treble is disabled 1: 5-Band Equalizer/Bass-Treble is enabled

LS_EQ_BANDX**Loudspeakers Equalizer Gain for BandX**

Address: CDh to D1h

Type: R/W

Bit 7	Bit 6	Bit 5	Bit 4	Bit 3	Bit 2	Bit 1	Bit 0
EQ_BANDX[7:0]							

Bit Name	Reset	Function
EQ_BANDX[7:0]	0000 0000	BandX gain adjustment within a range from -12 dB to +12 dB in steps of 0.25 dB. Band1: 100 Hz, Band2: 330 Hz, Band3: 1 kHz, Band4: 3.3 kHz, Band5: 10 kHz.

Table 20: Loudspeakers Equalizer/Bass-Treble Gain Values (and Headphone Bass-Treble Gain Values)

Value	Gain G (dB)
00110000	+12
00101111	+11.75
00101110	+11.50
.....
00000000 (Default)	0
.....
10101110	-11.50
10101111	-11.75
10110000	-12

LS_BASS_GAIN**Loudspeakers Bass Gain Register**

Address: D2h

Type: R/W

Bit 7 Bit 6 Bit 5 Bit 4 Bit 3 Bit 2 Bit 1 Bit 0

LS_BASS[7:0]

Bit Name	Reset	Function
LS_BASS[7:0]	0000 0000	Gain Tuning of Loudspeakers Bass Frequency Gain may be programmed within a range between +12 dB and -12 dB in steps of 0.25 dB. Programmable values are listed in Table 11.

LS_TREBLE_GAIN**Loudspeakers Treble Gain Register**

Address: D3h

Type: R/W

Bit 7 Bit 6 Bit 5 Bit 4 Bit 3 Bit 2 Bit 1 Bit 0

LS_TREBLE

Bit Name	Reset	Function
LS_TREBLE[7:0]	0000 0000	Gain Tuning of Loudspeakers Treble Frequency Gain may be programmed within a range between +12 dB and -12 dB in steps of 0.25 dB. Programmable values are listed in Table 11.

HP_BASS_GAIN**Headphone Bass Gain**

Address: D4h

Type: R/W

Bit 7 Bit 6 Bit 5 Bit 4 Bit 3 Bit 2 Bit 1 Bit 0

HP_BASS[7:0]

Bit Name	Reset	Function
HP_BASS[7:0]	0000000 0	Gain Tuning of Headphone Bass Frequency Gain may be programmed within a range between +12 dB and -12 dB in steps of 0.25 dB. Programmable values are listed in Table 11.

HP_TREBLE_GAIN**Headphone Treble Gain**

Address: D5h

Type: R/W

Bit 7 Bit 6 Bit 5 Bit 4 Bit 3 Bit 2 Bit 1 Bit 0

HP_TREBLE

Bit Name	Reset	Function
HP_TREBLE[7:0]	0000 0000	Gain Tuning of Headphone Treble Frequency Gain may be programmed within a range between +12 dB and -12 dB in steps of 0.25 dB. Programmable values are listed in Table 11.

OUTPUT_BASS_MNGT**Bass Redirection**

Address: D4h

Type: R/W

Bit 7 Bit 6 Bit 5 Bit 4 Bit 3 Bit 2 Bit 1 Bit 0

BASS_MANA GE_ON	ST_LFE_ADD	DOLBY_PROL OGIC	SUB_ACTIVE	GAIN_SWITC H	OCFG_NUM[2:0]		
--------------------	------------	--------------------	------------	-----------------	---------------	--	--

Bit Name	Reset	Function
BASS_MANAGE_ON	0	0: BassManagement disabled 1: BassManagement enabled
ST_LFE_ADD	0	Add the signal coming from the LFE input (MULTI_I2S mode only) to the calculated Subwoofer signal: 0: No LFE channel to add 1: Add LFE signal to the Subwoofer computed signal
DOLBY_PROLOGIC	0	If the BassManagement is used with Dolby Prologic decoder, the surround channels must not be added to generate the Subwoofer channel: 0: Standard configuration (Dolby Digital compliant), surround channels are used to generate the Subwoofer channel. 1: Dolby Prologic configuration, surround channels are not used to generate the Subwoofer channel.
SUB_ACTIVE	0	In some configurations the Subwoofer signal can be redirected to L/R channels if there is no Subwoofer output: 0: No Subwoofer output, the Sub signal is added to L/R channels 1: Subwoofer signal is outputted on Subwoofer output.
GAIN_SWITCH	0	Gain Switch available in some configurations: 0: Level Adjustment ON 1: Level Adjustment OFF

Bit Name	Reset	Function
OCFG_NUM[2:0]	000	Select Bass Management configuration: 000: Output Configuration 0 001: Output Configuration 1 010: Output Configuration 2 011: Output Configuration 3 100: Output Configuration 4 (Simplified Configuration) 101: Output Configuration 5 (Stereo Full Bandwith Speakers) 110: Output Configuration 6 (Stereo Narrow Bandwith Speakers) 111: Not Used

LS_LOUDNESS**Loudness Configuration for LS**

Address: D7h

Type: R/W

Bit 7	Bit 6	Bit 5	Bit 4	Bit 3	Bit 2	Bit 1	Bit 0
0	LS_LOUD_THRESHOLD[2:0]			LS_LOUD_GAIN_HR[2:0]			LS_LOUD_ON

Bit Name	Reset	Function
Bit 7	0	Reserved.
LS_LOUD_THRES HOLD[2:0]	000	Define the volume threshold level since which loudness effect is applied: 000: 0 dB 100: -24 dB 001: -6 dB 101: -32 dB 010: -12 dB 110: -36 dB 011: -18 dB 111: -42 dB
LS_LOUD_GAIN_H R[2:0]	010	Define the amount of Treble added by loudness effect: 000: 0 dB 100: 12 dB 001: 3 dB 101: 15 dB 010: 6 dB 110: 18 dB 011: 9 dB 111: Not Used
LS_LOUD_ON	0	0: Loudness is not active on LS output 1: Loudness is active on LS output

HP_LOUDNESS**Loudness Configuration for HP**

Address: D8h

Type: R/W

Bit 7	Bit 6	Bit 5	Bit 4	Bit 3	Bit 2	Bit 1	Bit 0
0	HP_LOUD_THRESHOLD[2:0]			HP_LOUD_GAIN_HR[2:0]			HP_LOUD_ON

Bit Name	Reset	Function
Bit 7	0	Reserved.

Bit Name	Reset	Function
HP_LOUD_THRES_HOLD[2:0]	000	Define the volume threshold level since which loudness effect is applied : 000: 0 dB 100: -24 dB 001: -6 dB 101: -32 dB 010: -12 dB 110: -36 dB 011: -18 dB 111: -42 dB
HP_LOUD_GAIN_H R[2:0]	010	Define the amount of Treble added by loudness effect: 000: 0 dB 100: 12 dB 001: 3 dB 101: 15 dB 010: 6 dB 110: 18 dB 011: 9 dB 111: not used
HP_LOUD_ON	0	0: Loudness is not active on HP output 1: Loudness is active on HP output

VOLUME_MODES**Set the Volume Modes**

Address: D9h

Type: R/W

Bit 7	Bit 6	Bit 5	Bit 4	Bit 3	Bit 2	Bit 1	Bit 0
ANTICLIP_HP_VOL_CLAMP	ANTICLIP_LS_VOL_CLAMP	0	SCART2_VOLUME_MODE	SCART1_VOLUME_MODE	HP_VOLUME_MODE	SRND_VOLUME_MODE	LS_VOLUME_MODE

Bit Name	Reset	Function
ANTICLIP_HP_VOL_CLAMP	1	The output level is clamped depending on the HP Bass-Treble value to avoid any possible signal clipping on HP output. 0: Volume clamp on HP output is not active 1: Volume clamp on HP output is active
ANTICLIP_LS_VOL_CLAMP	1	The output level is clamped depending on the LS Equalizer or LS Bass-Treble value to avoid any possible signal clipping on LS output. 0: Volume clamp on LS output is not active 1: Volume clamp on LS output is active
Bits[5]	0	Reserved.
SCART2_VOLUME_MODE	1	Volume mode for SCART2 output: 0: Independant 1: Differential
SCART1_VOLUME_MODE	1	Volume mode for SCART1 output: 0: Independant 1: Differential
HP_VOLUME_MODE	1	Volume mode for Headphone output: 0: Independant 1: Differential
SRND_VOLUME_MODE	1	Volume mode for Surround output: 0: Independant 1: Differential

Bit Name	Reset	Function
LS_VOLUME_MODE	1	Volume mode for LS output: 0: Independant 1: Differential

LS_L_VOLUME_MSB**Loudspeaker Left Volume MSB**

Address: DAh

Type: R/W

Bit 7 Bit 6 Bit 5 Bit 4 Bit 3 Bit 2 Bit 1 Bit 0

LS_L_VOLUME_MSB[7:0]

Bit Name	Reset	Function
LS_L_VOLUME_MSB[7:0]	1001 1000	8 MSBs of the 10-bit Left Loudspeaker Volume

LS_L_VOLUME_LSB**Loudspeaker Left Volume LSB**

Address: DBh

Type: R/W

Bit 7 Bit 6 Bit 5 Bit 4 Bit 3 Bit 2 Bit 1 Bit 0

0 0 0 0 0 0 LS_L_VOLUME_LSB[1:0]

Bit Name	Reset	Function
Bits[7:2]	000000	Reserved.
LS_L_VOLUME_LSB[1:0]	00	2 LSBs of the 10-bit Left Loudspeaker Volume

LS_R_VOLUME_MSB**Loudspeaker Right Volume MSB**

Address: DCh

Type: R/W

Bit 7 Bit 6 Bit 5 Bit 4 Bit 3 Bit 2 Bit 1 Bit 0

LS_R_VOLUME_MSB[7:0]

Bit Name	Reset	Function
LS_R_VOLUME_MSB[7:0]	0000 0000	8 MSBs of the 10-bit Right Loudspeaker Volume

LS_R_VOLUME_LSB**Loudspeaker Right Volume LSB**

Address: DDh

Type: R/W

Bit 7	Bit 6	Bit 5	Bit 4	Bit 3	Bit 2	Bit 1	Bit 0
0	0	0	0	0	0	LS_R_VOLUME_LSB[1:0]	

Bit Name	Reset	Function
Bits[7:2]	000000	Reserved.
LS_R_VOLUME_LSB[1:0]	00	2 LSBs of the 10-bit Right Loudspeaker Volume

LS_C_VOLUME_MSB**Loudspeaker Center Volume MSB**

Address: DEh

Type: R/W

Bit 7	Bit 6	Bit 5	Bit 4	Bit 3	Bit 2	Bit 1	Bit 0
LS_C_VOLUME_MSB[7:0]							

Bit Name	Reset	Function
LS_C_VOLUME_MSB[7:0]	1001 1000	8 MSBs of the 10-bit Center Loudspeaker Volume

LS_C_VOLUME_LSB**Loudspeaker Center Volume LSB**

Address: DFh

Type: R/W

Bit 7	Bit 6	Bit 5	Bit 4	Bit 3	Bit 2	Bit 1	Bit 0
0	0	0	0	0	0	LS_C_VOLUME_LSB[1:0]	

Bit Name	Reset	Function
Bits[7:2]	0000 00	Reserved.
LS_C_VOLUME_LSB[1:0]	00	2 LSBs of the 10-bit Center Loudspeaker Volume

LS_SUB_VOLUME_MSB**Loudspeaker Subwoofer Volume MSB**

Address: E0h

Type: R/W

Bit 7 Bit 6 Bit 5 Bit 4 Bit 3 Bit 2 Bit 1 Bit 0

LS_SUB_VOLUME_MSB[7:0]

Bit Name	Reset	Function
LS_SUB_VOLUME_MSB[7:0]	1001 1000	8 MSBs of the 10-bit Subwoofer Loudspeaker Volume

LS_SUB_VOLUME_LSB**Loudspeaker Subwoofer Volume LSB**

Address: E1h

Type: R/W

Bit 7 Bit 6 Bit 5 Bit 4 Bit 3 Bit 2 Bit 1 Bit 0

0 0 0 0 0 0 LS_SUB_VOLUME_LSB[1:0]

Bit Name	Reset	Function
Bits[7:2]	000000	Reserved.
LS_SUB_VOLUME_LSB[1:0]	00	2 LSBs of the 10-bit Subwoofer Loudspeaker Volume

LS_SL_VOLUME_MSB**Loudspeaker Left Surround Volume MSB**

Address: E2h

Type: R/W

Bit 7 Bit 6 Bit 5 Bit 4 Bit 3 Bit 2 Bit 1 Bit 0

LS_SL_VOLUME_MSB[7:0]

Bit Name	Reset	Function
LS_SL_VOLUME_MSB[7:0]	1001 1000	8 MSBs of the 10-bit Left Surround Loudspeaker Volume

LS_SL_VOLUME_LSB**Loudspeaker Surround Left Volume LSB**

Address: E3h

Type: R/W

Bit 7	Bit 6	Bit 5	Bit 4	Bit 3	Bit 2	Bit 1	Bit 0
0	0	0	0	0	0	LS_SL_VOLUME_LSB[1:0]	

Bit Name	Reset	Function
Bits[7:2]	000000	Reserved.
LS_SL_VOLUME_LSB[1:0]	00	2 LSBs of the 10-bit Left Surround Loudspeaker Volume

LS_SR_VOLUME_MSB**Loudspeaker Surround Right Volume MSB**

Address: E4h

Type: R/W

Bit 7	Bit 6	Bit 5	Bit 4	Bit 3	Bit 2	Bit 1	Bit 0
LS_SR_VOLUME_MSB[7:0]							

Bit Name	Reset	Function
LS_SR_VOLUME_MSB[7:0]	0000 0000	8 MSBs of the 10-bit Right Surround Loudspeaker Volume

LS_SR_VOLUME_LSB**Loudspeaker Surround Right Volume LSB**

Address: E5h

Type: R/W

Bit 7	Bit 6	Bit 5	Bit 4	Bit 3	Bit 2	Bit 1	Bit 0
0	0	0	0	0	0	LS_SR_VOLUME_LSB[1:0]	

Bit Name	Reset	Function
Bits[7:2]	000000	Reserved.
LS_SR_VOLUME_LSB[1:0]	00	2 LSBs of the 10-bit Right Surround Loudspeaker Volume

LS_MASTER_VOLUME_MSB**Loudspeaker Master Volume MSB**

Address: E6h

Type: R/W

Bit 7 Bit 6 Bit 5 Bit 4 Bit 3 Bit 2 Bit 1 Bit 0

LS_MASTER_VOLUME_MSB[7:0]

Bit Name	Reset	Function
LS_MASTER_VOLUME_MSB[7:0]	1110 1000	8 MSBs of the 10-bit Master Loudspeaker Volume

LS_MASTER_VOLUME_LSB**Loudspeaker Master Volume LSB**

Address: E7h

Type: R/W

Bit 7 Bit 6 Bit 5 Bit 4 Bit 3 Bit 2 Bit 1 Bit 0

0

0

0

0

0

0

LS_MASTER_VOLUME_LSB[1:0]

Bit Name	Reset	Function
Bits[7:2]	000000	Reserved.
LS_MASTER_VOLUME_LSB[1:0]	00	2 LSBs of the 10-bit Master Loudspeaker Volume

HP_L_VOLUME_MSB**Headphone Left Volume MSB**

Address: E8h

Type: R/W

Bit 7 Bit 6 Bit 5 Bit 4 Bit 3 Bit 2 Bit 1 Bit 0

HP_L_VOLUME_MSB[7:0]

Bit Name	Reset	Function
HP_L_VOLUME_MSB[7:0]	1001 1000	8 MSBs of the 10-bit Left Headphone Volume

HP_L_VOLUME_LSB**Headphone Left Volume LSB**

Address: E9h

Type: R/W

Bit 7	Bit 6	Bit 5	Bit 4	Bit 3	Bit 2	Bit 1	Bit 0
0	0	0	0	0	0	HP_L_VOLUME_LSB[1:0]	

Bit Name	Reset	Function
Bits[7:2]	000000	Reserved.
HP_L_VOLUME_LSB[1:0]	00	2 LSBs of the 10-bit Left Headphone Volume

HP_R_VOLUME_MSB**Headphone Right Volume MSB**

Address: EAh

Type: R/W

Bit 7	Bit 6	Bit 5	Bit 4	Bit 3	Bit 2	Bit 1	Bit 0
HP_R_VOLUME_MSB[7:0]							

Bit Name	Reset	Function
HP_R_VOLUME_MSB[7:0]	0000000 0	8 MSBs of the 10-bit Right Headphone Volume

HP_R_VOLUME_LSB**Headphone Right Volume LSB**

Address: EBh

Type: R/W

Bit 7	Bit 6	Bit 5	Bit 4	Bit 3	Bit 2	Bit 1	Bit 0
0	0	0	0	0	0	HP_R_VOLUME_LSB[1:0]	

Bit Name	Reset	Function
Bits[7:2]	000000	Reserved.
HP_R_VOLUME_LSB[1:0]	00	2 LSBs of the 10-bit Right Headphone Volume

AUX_VOLUME_INDEX**Select the AUX to apply Volume**

Address: ECh

Type: R/W

Bit 7	Bit 6	Bit 5	Bit 4	Bit 3	Bit 2	Bit 1	Bit 0
0	0	0	0	0	0	AUX_VOLUME_SELECT[1:0]	

Bit Name	Reset	Function
Bits[7:2]	000000	Reserved.
AUX_VOLUME_SELECT[1:0]	00	Select the output on which the AUX_VOLUME values will be applied: 00: No volume applied (<i>mandatory step to change selection from 01 to 10</i>) 01: Volume applied to SCART1 output 10: Volume applied to SCART2 output 11: Not used

AUX_L_VOLUME_MSB**Auxiliary Left Volume MSB**

Address: EDh

Type: R/W

Bit 7	Bit 6	Bit 5	Bit 4	Bit 3	Bit 2	Bit 1	Bit 0
AUX_L_VOLUME_MSB[7:0]							

Bit Name	Reset	Function
AUX_L_VOLUME_MSB[7:0]	1001 1000	8 MSBs of the 10-bit Left Auxiliary Volume

AUX_L_VOLUME_LSB**Auxiliary Left Volume LSB**

Address: EEh

Type: R/W

Bit 7	Bit 6	Bit 5	Bit 4	Bit 3	Bit 2	Bit 1	Bit 0
0	0	0	0	0	0	AUX_L_VOLUME_LSB[1:0]	

Bit Name	Reset	Function
Bits[7:2]	000000	Reserved.
AUX_L_VOLUME_LSB[1:0]	00	2 LSBs of the 10-bit Left Auxiliary Volume

AUX_R_VOLUME_MSB**Auxiliary Right Volume MSB**

Address: EFh

Type: R/W

Bit 7 Bit 6 Bit 5 Bit 4 Bit 3 Bit 2 Bit 1 Bit 0

AUX_R_VOLUME_MSB[7:0]

Bit Name	Reset	Function
AUX_R_VOLUME_MSB[7:0]	0000 0000	8 MSBs of the 10-bit Right Auxiliary Volume

AUX_R_VOLUME_LSB**Auxiliary Right Volume LSB**

Address: F0h

Type: R/W

Bit 7 Bit 6 Bit 5 Bit 4 Bit 3 Bit 2 Bit 1 Bit 0

0 0 0 0 0 0 AUX_R_VOLUME_LSB[1:0]

Bit Name	Reset	Function
Bits[7:2]	000000	Reserved.
AUX_R_VOLUME_LSB[1:0]	00	2 LSBs of the 10-bit Right Auxiliary Volume

12.15 Mute**MUTE_SOFTWARE****Soft Mute Output by DSP**

Address: F1h

Type: R/W

Bit 7 Bit 6 Bit 5 Bit 4 Bit 3 Bit 2 Bit 1 Bit 0

HP_D_MUTE	SPDIF_D_MUTE	SCART2_D_MUTE	SCART1_D_MUTE	SRND_D_MUTE	SUB_D_MUTE	C_D_MUTE	LS_D_MUTE
-----------	--------------	---------------	---------------	-------------	------------	----------	-----------

Bit Name	Reset	Function
HP_D_MUTE	1	Digital Soft Mute for HP output: 0: Soft Mute not active 1: Soft Mute active
SPDIF_D_MUTE	1	Digital Soft Mute for SPDIF output: 0: Soft Mute not active 1: Soft Mute active

Bit Name	Reset	Function
SCART2_D_MUTE	1	Digital Soft Mute for SCART2 output: 0: Soft Mute not active 1: Soft Mute active
SCART1_D_MUTE	1	Digital Soft Mute for SCART1 output: 0: Soft Mute not active 1: Soft Mute active
SRND_D_MUTE	1	Digital Soft Mute for SURROUND output: 0: Soft Mute not active 1: Soft Mute active
SUB_D_MUTE	1	Digital Soft Mute for SUBWOOFER output: 0: Soft Mute not active 1: Soft Mute active
C_D_MUTE	1	Digital Soft Mute for CENTER output: 0: Soft Mute not active 1: Soft Mute active
LS_D_MUTE	1	Digital Soft Mute for LOUDSPEAKER output: 0: Soft Mute not active 1: Soft Mute active

12.16 Beeper

BEEPER_ON

Set Beeper On

Address: F2h

Type: R/W

Bit 7	Bit 6	Bit 5	Bit 4	Bit 3	Bit 2	Bit 1	Bit 0
0	0	0	0	0	BEEPER_SOUND_SELECT[1:0]		BEEPER_ON

Bit Name	Reset	Function
Bits[7:3]	00000	Reserved.
BEEPER_SOUND_SELECT[1:0]	00	Select the kind of sound generated by the beeper when BEEPER_ON is set to 1: 00: Square Wave Signal. Frequency and Decay can be set in Register 0xf4. 01: Wood Block Natural Sound 10: Clic Natural Sound 11: Bleep Natural Sound.
BEEPER_ON	0	Control Beeper Sound Start/Stop: 0: Start Beeper 1: Stop Beeper

Note: if BEEPER_SOUND_SELECT = 0 and BEEPER_CONTINUOUS(reg 0xF3) is set to 1, the BEEPER_ON needs to be set to 0 to stop the beeper sound ; otherwise, the beeper is stopped automatically.

On beeper STOP, the register 0xF2 is reset to 0. Take care to set bit[2:1] on each BEEPER_ON action.

BEEPER_MODE**Beeper Control**

Address: F3h

Type: R/W

Bit 7	Bit 6	Bit 5	Bit 4	Bit 3	Bit 2	Bit 1	Bit 0
BEEPER_DECAY[2:0]			BEEPER_DURATION[1:0]		BEEPER_CONTINUOUS	BEEPER_PATH	

Bit Name	Reset	Function
BEEPER_DECAY [2:0]	000	Control the decay of the envelope of the Beeper sound: 000: Short Decay (sounds dry) ... 111: Very Long Decay (sounds wet)
BEEPER_DURATION [1:0]	00	Define Beeper Duration when BEEPER_CONTINUOUS is set to 0: 00: 0.1 sec. 01: 0.25 sec. 10: 0.5 sec. 11: 1 sec.
BEEPER_CONTINUOUS	0	Set Beeper Pulse Mode 0: Pulse mode selected, the BEEPER_ON is automatically reset to 0. 1: Continuous mode selected, the BEEPER_ON must be set to 0 to stop the beeper sound.
BEEPER_PATH [1:0]	11	Set the output channels when beeper is active 00: no channels. 01: Loudspeakers only. 10: Headphone only. 11: Loudspeakers and Headphone selected.

BEEPER_FREQ_VOL**Beeper Frequency and Volume Settings**

Address: F4h

Type: R/W

Bit 7	Bit 6	Bit 5	Bit 4	Bit 3	Bit 2	Bit 1	Bit 0
BEEP_FREQ[2:0]				BEEP_VOL[4:0]			

Bit Name	Reset	Function
BEEP_FREQ[2:0]	011	Defines the frequency of the beeper tone from 62.5 Hz to 8 kHz in octaves 000: 62.5 Hz 100: 1 kHz 001: 125 Hz 101: 2 kHz 010: 250 Hz 110: 4 kHz 011: 500 Hz (Default) 111: 8 kHz

Bit Name	Reset	Function
BEEP_VOL[4:0]	10000	Defines the Beeper volume from 0 to -93 dB in steps of 3 dB. 11111: 0 dB (1 V _{RMS}) ... 11110: -3 dB 00011: -84 dB 11101: -6 dB 00010: -87 dB ... 00001: -90 dB 10000: -48 dB (Default) 00000: -93 dB

12.17 SPDIF Output Configuration

SPDIF_OUT_CHANNEL_STATUS

Address: F5h

Type: R/W

Bit 7	Bit 6	Bit 5	Bit 4	Bit 3	Bit 2	Bit 1	Bit 0
0	0	0	0	0	SPDIF_COPY RIGHT	SPDIF_NO_PC M	SPDIF_CONS UMER_PRO

Bit Name	Reset	Function
Bits[7:3]	00000	Reserved.
SPDIF_COPYRIGHT	0	0: Copyright 1: No Copyright
SPDIF_NO_PCM	0	0: PCM Format 1: No PCM Format
SPDIF_CONSUME R_PRO	0	0: Consumer Format 1: Professional Format

12.18 Headphone Configuration

HEADPHONE_CONFIG

Headphone Configuration

Address: F6h

Type: R/W

Bit 7	Bit 6	Bit 5	Bit 4	Bit 3	Bit 2	Bit 1	Bit 0
0	KARAOKE_MIX	SCART2_OUT_SELECT[1:0]	HP_FORCE	HP_LS_MUTE	HP_DET_ACTIVE	HP_DETECTE D	

Bit Name	Reset	Function
Bits [7]	0	Reserved.
KARAOKE_MIX	0	When set, mix the HP channel signal with the LS channel signal. The mixed signal is output on the LS channel.

Bit Name	Reset	Function
SCART2_OUT_SELECT[1:0]	00	Select SCART2 output: 00: SCART2 not output 01: SCART2 signal output on C/Sub DAC 10: SCART2 signal output on Srnd/HP DAC 11: not used
HP_FORCE	0	1: force to output the HP signal (bypass surround) <i>Note: when HP is forced, IRQ5 and HP/Srnd DAC automatic mute are not active.</i>
HP_LS_MUTE	0	0: when HP is detected and active, LS are not muted 1: when HP is detected and active, LS are muted
HP_DET_ACTIVE	1	0: HP detection is not active 1: HP detection is active, when HP detected, Surround signal is bypassed and HP signal is outputed on HP
HP_DETECTED	0	1: When a signal is detected on HP_DET pin

12.19 DAC Control

DAC_CONTROL

DAC Control Register

Address: F7h

Type: R/W

Bit 7	Bit 6	Bit 5	Bit 4	Bit 3	Bit 2	Bit 1	Bit 0
0	0	SPDIF_MUX	DAC_SCART_MUTE	DAC_SHP_MUTE	DAC_CSUB_MUTE	DAC_LSLR_MUTE	POWER_UP

Bit Name	Reset	Function
Bits [7:6]	00	Reserved.
SPDIF_MUX	0	Redirect external or internal source i2s to i2s output : 0: Internal I ² S 1: External I ² S
DAC_SCART_MUTE	1	SCART Left/Right Analog Soft Mute 0: Soft Mute not active 1: Soft Mute active
DAC_SHP_MUTE	1	Surround/HP Left/Right Analog Soft Mute 0: Soft Mute not active 1: Soft Mute active
DAC_CSUB_MUTE	1	Center/Subwoofer Analog Soft Mute 0: Soft Mute not active 1: Soft Mute active
DAC_LSLR_MUTE	1	LS Left/Right Analog Soft Mute 0: Soft Mute not active 1: Soft Mute active
POWER_UP	1	0: DACs Power OFF 1: Power ON

DAC_SW_CHANNELS

DAC SW Channel Register

Address: F8h

Type: R/W

Bit 7	Bit 6	Bit 5	Bit 4	Bit 3	Bit 2	Bit 1	Bit 0
C_SUB_SW		SUR_HP_SW		SCART_SW		SPDIF_SW	

Bit Name	Reset	Function
C_SUB_SW	00	Center/Sub DAC: 00: Left/Right channels inverted 11: Left/Right channels non inverted
SUR_HP_SW	00	Surround/HP DAC: 00: Left/Right channels inverted 11: Left/Right channels non inverted
SCART_SW	00	SCART DAC: 00: Left/Right channels inverted 11: Left/Right channels non inverted
SPDIF_SW	00	SPDIF: 00: Left/Right channels inverted 11: Left/Right channels non inverted

SPDIF_SW_CHANNELS

SPDIF SW Channel Register

Address: F9h

Type: R/W

Bit 7	Bit 6	Bit 5	Bit 4	Bit 3	Bit 2	Bit 1	Bit 0
0	0	0	0	DELAY_SW		LS_L_R_SW	

Bit Name	Reset	Function
Bits [7:4]	0000	Reserved.
DELAY_SW	00	Delay output: 00: Left/Right channels inverted 11: Left/Right channels non inverted
LS_L_R_SW	00	Loudspeaker L/R output: 00: Left/Right channels inverted 11: Left/Right channels non inverted

12.20 AutoStandard Coefficients Settings

AUTOSTD_COEFF_CTRL

Autostd Control Register Coefficients

Address: FBh

Type: R/W

Bit 7	Bit 6	Bit 5	Bit 4	Bit 3	Bit 2	Bit 1	Bit 0
0	0	0	0	0	0	AUTOSTD_COEFF_CTRL[1:0]	

Bit Name	Reset	Function
Bits [7:2]	000000	Reserved.
AUTOSTD_COEFF_CTRL[1:0]	01	Control the Demod filter coeff table settings 01: init Coeffs to ROM values 10: Update Coeffs with I2C value

AUTOSTD_COEFF_INDEX_MSB

Address: FCh

Type: R/W

Bit 7	Bit 6	Bit 5	Bit 4	Bit 3	Bit 2	Bit 1	Bit 0
0	0	0	0	0	0	0	AUTOSTD_COEFF_INDEX_MSB

Bit Name	Reset	Function
Bits [7:2]	0000000	Reserved.
AUTOSTD_COEFF_INDEX_MSB	0	FIR Coefficients table index (MSB)

AUTOSTD_COEFF_INDEX_LSB

Address: FDh

Type: R/W

Bit 7	Bit 6	Bit 5	Bit 4	Bit 3	Bit 2	Bit 1	Bit 0
AUTOSTD_COEFF_INDEX_LSB[7:0]							

Bit Name	Reset	Function
AUTOSTD_COEFF_INDEX_LSB[7:0]	0000 0000	FIR Coefficients table index (LSB)

AUTOSTD_COEFF_VALUE

Address: FEh

Type: R/W

Bit 7

Bit 6

Bit 5

Bit 4

Bit 3

Bit 2

Bit 1

Bit 0

AUTOSTD_COEFF_VALUE[7:0]

Bit Name	Reset	Function
AUTOSTD_COEFF_VALUE[7:0]	0000 0000	FIR Coefficients table value to update

13 Pin Descriptions

13.1 TQFP 80-pin Package

- AP = Analog Power
- DP = Digital Power
- I = Input
- O = Output
- OD = Open-Drain
- B = Bi-Directional
- A = Analog

Table 21: TQFP80 Pin Description (Sheet 1 of 4)

Pin No.	STV82x8 Pin Name	Type (STV82x8)	Function for STV82x8 (Function for STV82x6 in italic characters)	STV82x6 Pin Name
1	SC1_OUT_L	A	SCART1 Audio Output Left	AO1L
2	SC1_OUT_R	A	SCART1 Audio Output Right	AO1R
3	VCC_H	AP	8V Power for Audio I/O & ESD	<i>Not connected</i>
4	GND_H	AP	High Current Ground for Audio Outputs	<i>Connected to Ground</i>
5	SC3_OUT_L	A	SCART3 Audio Output Left	<i>Not connected</i>
6	SC3_OUT_R	A	SCART3 Audio Output Right	<i>Not connected</i>
7	VCC33_SC	AP	3.3V Power for Audio Buffers & DAC / ADC	VDDC
8	GND33_SC	AP	Ground for Audio Buffers & DAC / ADC	GNDC
9	SC1_IN_L	A	SCART1 Audio Input Left	AI1L
10	SC1_IN_R	A	SCART1 Audio Input Right	AI1R
11	VREFA	A	Audio Bias Voltage Decoupling 1.55V (Switched V_{REF} decoupling pin for Audio Converters (VMCP))	VMC1
12	NC (GND_SA in STV82x7)	AP		<i>Connected to Ground</i>
13	VBG	A	Bandgap Voltage Reference Decoupling 1.2V (V_{REF} decoupling pin for Audio Converters (VMC))	VMC2
14	SC2_IN_L	A	SCART 2 Audio Input Left	AI2L
15	SC2_IN_R	A	SCART 2 Audio Input Right	AI2R
16	VCC33_LS	AP	3.3V Power for Audio DACs (3.3V Power Supply for Audio Buffers and SCART)	VDDA
17	GND33_LS	AP	Ground for Audio DACs (Ground for Audio Buffers and SCART)	GNDAH
18	SC2_OUT_L	A	SCART 2 Audio Output Left	AO2L
19	SC2_OUT_R	A	SCART 2 Audio Output Right	AO2R
20	GND_SA (VCC_NISO in STV82x7)	AP	Ground for DACs	VDDH

Table 21: TQFP80 Pin Description (Sheet 2 of 4)

Pin No.	STV82x8 Pin Name	Type (STV82x8)	Function for STV82x8 (Function for STV82x6 in italic characters)	STV82x6 Pin Name
21	VSS33_CONV	AP	Ground for DAC 1.8 to 3.3V Converters	<i>Connected to Ground</i>
22	VDD33_CONV	AP	3.3V Power for DAC 1.8 to 3.3V Converters (<i>Voltage Reference for Audio buffers</i>)	VREFA
23	SC3_IN_L	A	SCART 3 Audio Input Left	AI3L
24	SC3_IN_R	A	SCART 3 Audio Input Right	AI3R
25	SCL_FLT	A	SCART Filtering Left	<i>Not connected</i>
26	SCR_FLT	A	SCART Filtering Right (<i>Bandgap Voltage Source Decoupling</i>)	BGAP
27	LS_C	A	Center Output	<i>Not connected</i>
28	LS_L	A	Left Loudspeaker Output	LSL
29	LS_R	A	Right Loudspeaker Output	LSR
30	LS_SUB	A	Subwoofer Output	SW
31	HP_LSS_L	A	Left Headphone Output or Left Surround Output	HPL
32	HP_LSS_R	A	Right Headphone Output or Right Surround Output	HPR
33	VSS18_CONV	DP	Ground for Digital part of the DAC/ADC (<i>Substrate Analog/Digital Shield</i>)	GNSA
34	VDD18_CONV	DP	1.8V Power for Digital part of the DAC/ADC	<i>Not connected</i>
35	HP_DET	I	Headphone Detection	HPD
36	ADR_SEL	I	Hardware Address selection for I ² C Bus	ADR
37	VSS18	DP	Ground for Digital part	<i>Connected to Ground</i>
38	VDD18	DP	1.8V Power for Digital part	<i>Not connected</i>
39	SCL	OD	I ² C Clock Input	SCL
40	SDA	OD	I ² C Data I/O	SDA
41	VSS18	DP	Ground for Digital part	<i>Connected to Ground</i>
42	VDD18	DP	1.8V Power for Digital part (<i>5V Power Regulator Control</i>)	REG
43	RST_N	I	Main Reset Input	RESET
44	S/PDIF_IN	I	Serial Audio Data Input (<i>System Clock output</i>)	SYSCK
45	S/PDIF_OUT	O	Serial Audio Data Output (<i>I²S Master Clock output</i>)	MCK
46	VDD33_IO1	DP	3.3V power for Digital IO	VDD1
47	VSS33_IO1	DP	Ground for Digital IO	GND1
48	CK_TST_CTRL	D	To be Grounded	<i>Not connected</i>
49	VSS18	DP	Ground for Digital part	GNDSP
50	VDD18	DP	1.8V Power for Digital part	<i>Not connected</i>
51	CLK_SEL	I	Clock Input Format Selection	<i>Not connected</i>

Table 21: TQFP80 Pin Description (Sheet 3 of 4)

Pin No.	STV82x8 Pin Name	Type (STV82x8)	Function for STV82x8 (Function for STV82x6 in italic characters)	STV82x6 Pin Name
52	XTALIN_CLKXTP	I	Crystal Oscillator Input or Differential Input Positive (<i>Crystal Oscillator Input</i>)	XTI
53	XTALOUT_CLKXTM	O	Crystal Oscillator Output or Differential Input Negative (<i>Crystal Oscillator Output</i>)	XTO
54	VCC18_CLK1	AP	1.8V Power for Clock PLL Analog & Crystal Oscillator 1/2 (<i>3.3V Power supply for Analog PLL Clock</i>)	VDDP
55	GND18_CLK1	AP	Ground for Clock PLL Analog & Crystal Oscillator 1/2	GNDP
56	GND18_CLK2	AP	Ground for Clock PLL Digital 1/2	GND2
57	VCC18_CLK2	DP	1.8V Power for Clock PLL Digital 1/2 (<i>3.3V Power supply for Digital core, DSPs & IO Cells</i>)	VDD2
58	VSS33_IO2	DP	Ground for Digital IO	<i>Connected to Ground</i>
59	VDD33_IO2	DP	3.3V power for Digital IO	<i>Not connected</i>
60	I2S_PCM_CLK	I/O	I ² S Master Clock Input/Output Channel 0, 1 & 2	<i>Not connected</i>
61	I2S_SCLK	I/O	I ² S Serial Clock Input/Output Channel 0, 1 & 2 (I ² S bus data output)	SDO
62	I2S_LR_CLK	I/O	I ² S Word Select Input/Output Channel 0, 1 & 2 (<i>Stereo Detection output / I²S Bus Data input</i>)	ST/SDI
63	I2S_DATA0	I/O	I ² S Data Input/Output Stereo Channel 0 (<i>I²S Bus Word Select output</i>)	WS
64	I2S_DATA1	I	I ² S Data Input Stereo Channel 1 (<i>I²S Bus Clock output</i>)	SCK
65	I2S_DATA2	I	I ² S Data Input Stereo Channel 2 (<i>Bus Expander Output 1</i>)	BUS1
66	VDD18	DP	1.8V Power for Digital Core & I/O Cells Pin	<i>Not connected</i>
67	VSS18	DP	Ground for Digital Core & I/O Cells Pin	<i>Connected to Ground</i>
68	BUS_EXP	O	Bus Expander Function (<i>Bus Expander Output 2</i>)	BUS0
69	IRQ	O	Interrupt Request to Microprocessor	IRQ
70	GND_PSUB	AP	Ground Substrate Connection	<i>Connected to Ground</i>
71	VDD18_ADC	DP	VDD 1.8V for ADC (Digital Part)	<i>Not connected</i>
72	VSS18_ADC	DP	Ground to Complement 1.8V VDD for ADC	<i>Connected to Ground</i>
73	SIF_P	A	Sound IF input	SIF
74	SIF_N	A	ADC V _{TOP} Decoupling pin	VTOP
75	GNDPW_IF	AP	Polarization for the IF block (<i>Voltage Reference for AGC Decoupling pin</i>)	VREFIF
76	VCC18_IF	AP	1.8V Power for IF AGC & ADC	VDDIF
77	GND18_IF	AP	Ground for IF AGC & ADC	GNDIF
78	MONO_IN	A	Mono Input (for AM Mono)	MONOIN
79	SC4_IN_L	A	SCART4 Audio Input Left	<i>Not connected</i>

Table 21: TQFP80 Pin Description (Sheet 4 of 4)

Pin No.	STV82x8 Pin Name	Type (STV82x8)	Function for STV82x8 (Function for STV82x6 in italic characters)	STV82x6 Pin Name
80	SC4_IN_R	A	SCART4 Audio Input Right	<i>Not connected</i>

13.2 TQFP 100-pin Package

- AP = Analog Power
- DP = Digital Power
- I = Input
- O = Output
- OD = Open-Drain
- B = Bi-Directional
- A = Analog

Table 22: TQFP100 Pin Description (Sheet 1 of 4)

Pin No.	STV82x8 Pin Name	Type (STV82x8)	Function for STV82x8
1	SC1_OUT_L	A	SCART1 Audio Output Left
2	SC1_OUT_R	A	SCART1 Audio Output Right
3	VCC_H	AP	8V Power for Audio I/O & ESD
4	GND_H	AP	High Current Ground for Audio Outputs
5	SC3_OUT_L	A	SCART3 Audio Output Left
6	SC3_OUT_R	A	SCART3 Audio Output Right
7	VCC33_SC	AP	3.3V Power for Audio Buffers & DAC / ADC
8	GND33_SC	AP	Ground for Audio Buffers & DAC / ADC
9	SC1_IN_L	A	SCART1 Audio Input Left
10	SC1_IN_R	A	SCART1 Audio Input Right
11	VREFA	A	Audio Bias Voltage Decoupling 1.55V
12	VBG	A	Bandgap Voltage Reference Decoupling 1.2V
13	SC2_IN_L	A	SCART 2 Audio Input Left
14	SC2_IN_R	A	SCART 2 Audio Input Right
15	VCC33_LS	AP	3.3V Power for Audio DACs
16	GND33_LS	AP	Ground for Audio DACs
17	SC2_OUT_L	A	SCART 2 Audio Output Left
18	SC2_OUT_R	A	SCART 2 Audio Output Right
19	SC5_IN_L	A	SCART 5 Audio Input Left
20	SC5_IN_R	A	SCART 5 Audio Input Right
21	NC		

Table 22: TQFP100 Pin Description (Sheet 2 of 4)

Pin No.	STV82x8 Pin Name	Type (STV82x8)	Function for STV82x8
22	NC		
23	GND_SA	AP	Ground for DACs
24	NC		
25	NC		
26	VSS33_CONV	AP	Ground for DAC 1.8 to 3.3V Converters
27	VDD33_CONV	AP	3.3V Power for DAC 1.8 to 3.3V Converters
28	SC3_IN_L	A	SCART 3 Audio Input Left
29	SC3_IN_R	A	SCART 3 Audio Input Right
30	SCL_FLT	A	SCART Filtering Left
31	SCR_FLT	A	SCART Filtering Right
32	LS_C	A	Center Output
33	NC		
34	LS_L	A	Left Loudspeaker Output
35	NC		
36	LS_R	A	Right Loudspeaker Output
37	NC		
38	LS_SUB	A	Subwoofer Output
39	NC		
40	HP_LSS_L	A	Left Headphone Output or Left Surround Output
41	NC		
42	HP_LSS_R	A	Right Headphone Output or Right Surround Output
43	NC		
44	NC		
45	VSS18_CONV	DP	Ground for Digital part of the DAC/ADC
46	VDD18_CONV	DP	1.8V Power for Digital part of the DAC/ADC
47	HP_DET	I	Headphone Detection
48	ADR_SEL	I	Hardware Address selection for I ² C Bus
49	VSS18	DP	Ground for Digital part
50	VDD18	DP	1.8V Power for Digital part
51	SCL	OD	I ² C Clock Input
52	SDA	OD	I ² C Data I/O
53	RST_N	I	Main Reset Input
54	I2SD_DATA	I	I ² S Data Delay Input Stereo Channel
55	I2SO_DATA1	O	I ² S Data Output Stereo Channel O_1

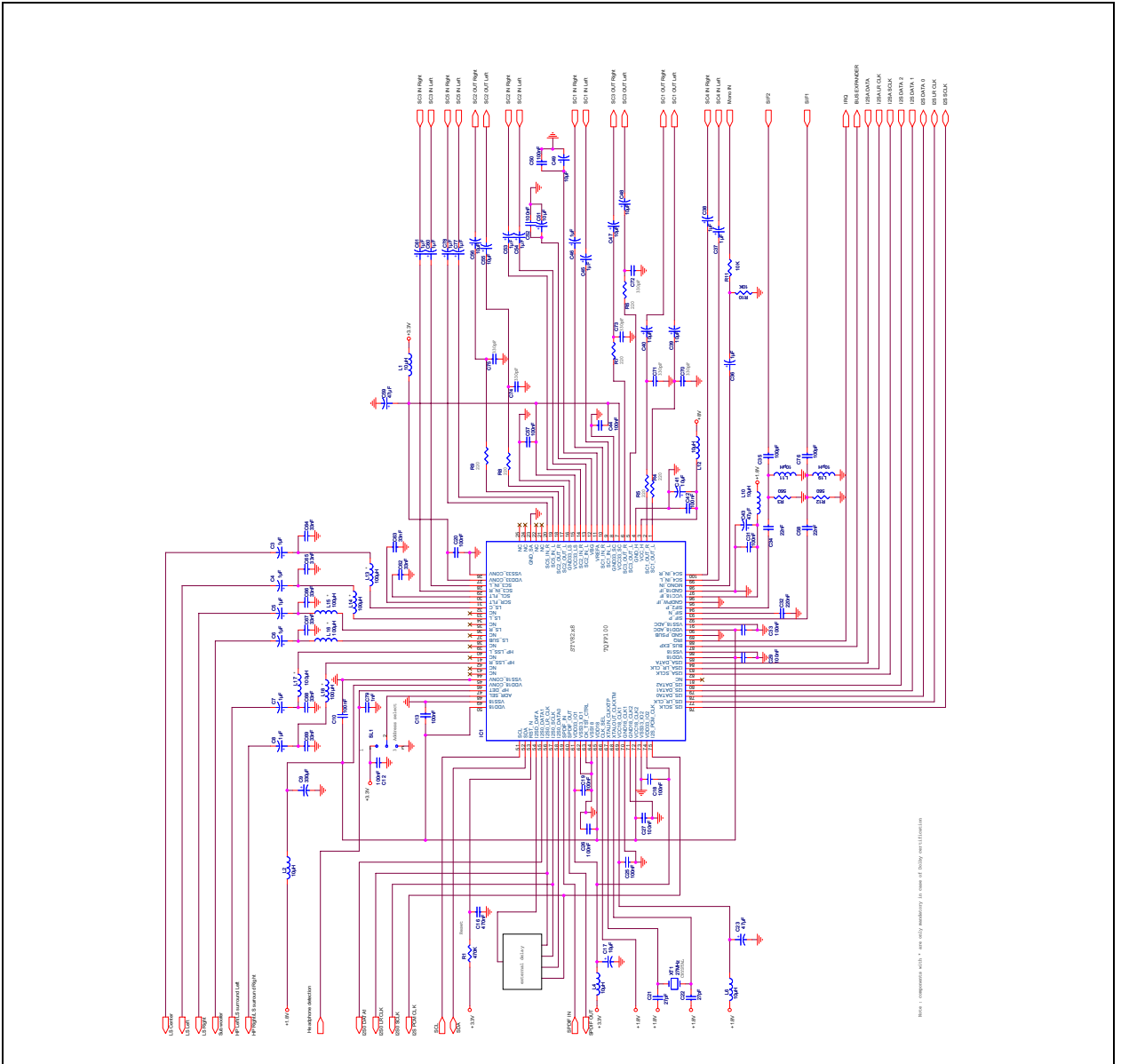
Table 22: TQFP100 Pin Description (Sheet 3 of 4)

Pin No.	STV82x8 Pin Name	Type (STV82x8)	Function for STV82x8
56	I2SO_LR_CLK	O	I ² S Word Select Output Channel O_0 & O_1
57	I2SO_SCLK	O	I ² S Serial Clock Output Channel O_0 & O_1
58	I2SO_DATAO	O	I ² S Data Output Stereo Channel O_0
59	S/PDIF_IN	I	Serial Audio Data Input
60	S/PDIF_OUT	O	Serial Audio Data Output
61	VDD33_IO1	DP	3.3V power for Digital IO
62	VSS33_IO1	DP	Ground for Digital IO
63	CK_TST_CTRL	D	To be Grounded
64	VSS18	DP	Ground for Digital part
65	VDD18	DP	1.8V Power for Digital part
66	CLK_SEL	I	Clock Input Format Selection
67	XTALIN_CLKXTP	I	Crystal Oscillator Input or Differential Input Positive
68	XTALOUT_CLKXTM	O	Crystal Oscillator Output or Differential Input Negative
69	VCC18_CLK1	AP	1.8V Power for Clock PLL Analog & Crystal Oscillator 1/2
70	GND18_CLK1	AP	Ground for Clock PLL Analog & Crystal Oscillator 1/2
71	GND18_CLK2	AP	Ground for Clock PLL Digital 1/2
72	VCC18_CLK2	DP	1.8V Power for Clock PLL Digital 1/2
73	VSS33_IO2	DP	Ground for Digital IO
74	VDD33_IO2	DP	3.3V power for Digital IO
75	I2S_PCM_CLK	I/O	I ² S Master Clock Input/Output Channel 0, 1 & 2
76	I2S_SCLK	I/O	I ² S Serial Clock Input/Output Channel 0, 1 & 2
77	I2S_LR_CLK	I/O	I ² S Word Select Input/Output Channel 0,1 & 2
78	I2S_DATA0	I/O	I ² S Data Input/Output Stereo Channel 0
79	I2S_DATA1	I	I ² S Data Input Stereo Channel 1
80	I2S_DATA2	I	I ² S Data Input Stereo Channel 2
81	NC		
82	I2SA_SCLK	I	I ² S Serial Clock Input Channel Auxiliary
83	I2SA_LR_CLK		I ² S Word Select Input Channel Auxiliary
84	I2SA_DATA		I ² S Data Input Stereo Channel Auxiliary
85	VDD18	DP	1.8V Power for Digital Core & I/O Cells Pin
86	VSS18	DP	Ground for Digital Core & I/O Cells Pin
87	BUS_EXP	O	Bus Expander Function
88	IRQ	O	Interrupt Request to Microprocessor
89	GND_PSUB	AP	Ground Substrate Connection

Table 22: TQFP100 Pin Description (Sheet 4 of 4)

Pin No.	STV82x8 Pin Name	Type (STV82x8)	Function for STV82x8
90	VDD18_ADC	DP	VDD 1.8V for ADC (Digital Part)
91	VSS18_ADC	DP	Ground to Complement 1.8V VDD for ADC
92	SIF_P	A	Sound IF input 1
93	SIF_N	A	ADC V_{TOP} Decoupling pin
94	SIF2_P	A	Sound IF input 2
95	GNDPW_IF	AP	Polarization for the IF block
96	VCC18_IF	AP	1.8V Power for IF AGC & ADC
97	GND18_IF	AP	Ground for IF AGC & ADC
98	MONO_IN	A	Mono Input (for AM Mono)
99	SC4_IN_L	A	SCART 4 Audio Input Left
100	SC4_IN_R	A	SCART 4 Audio Input Right

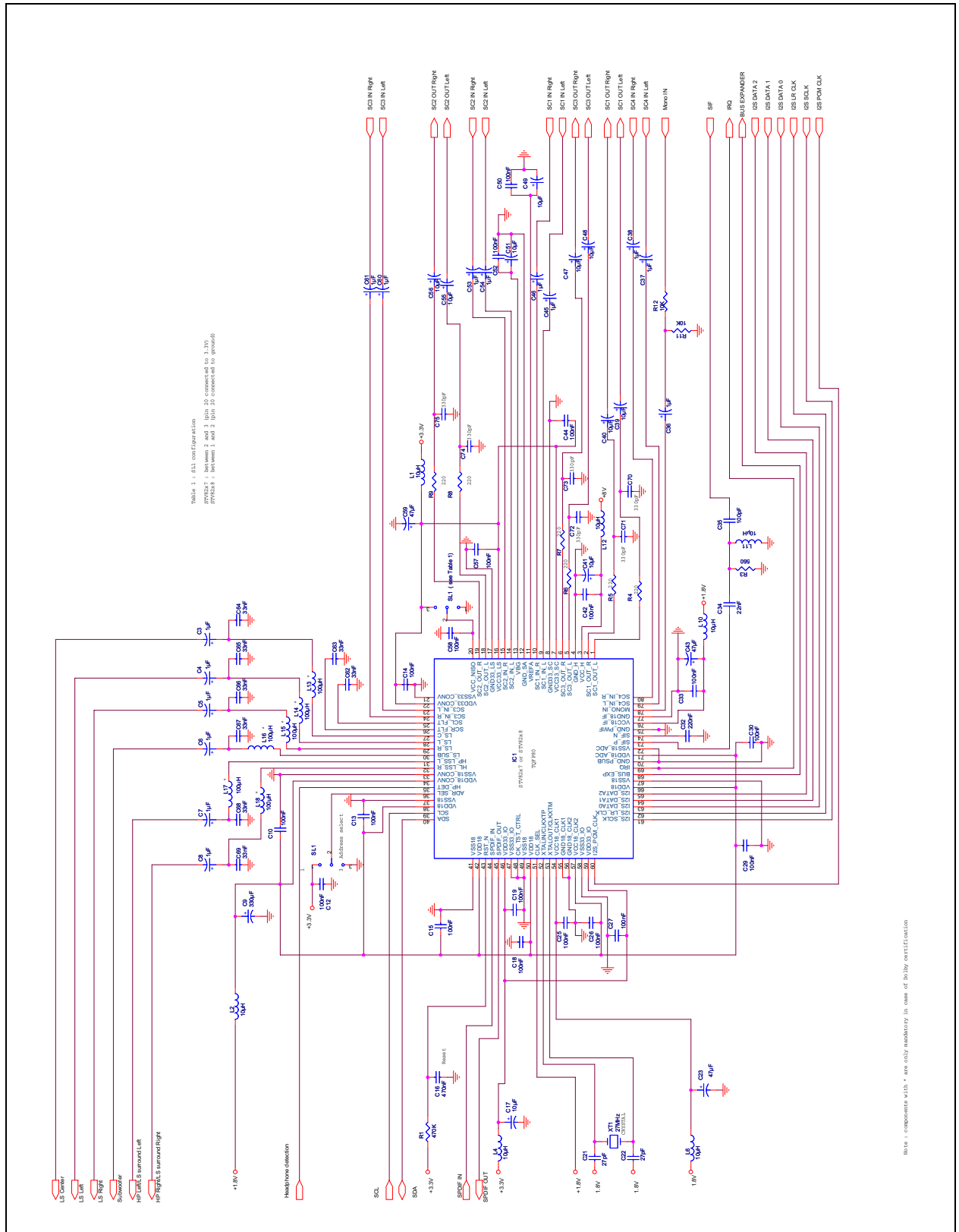
Figure 32: STV82x8 TQFP100 Application Diagram



Note: Components with * are only available in some of our configurations.

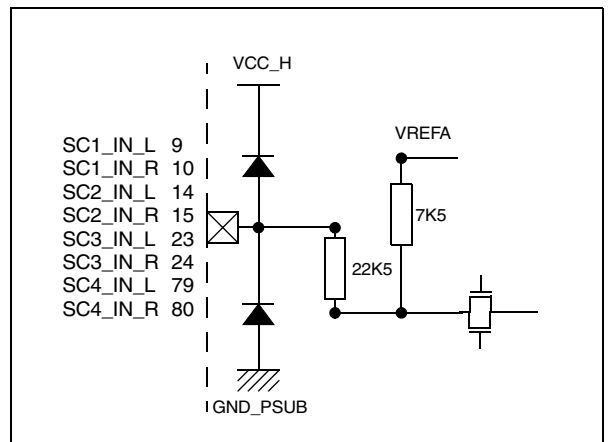
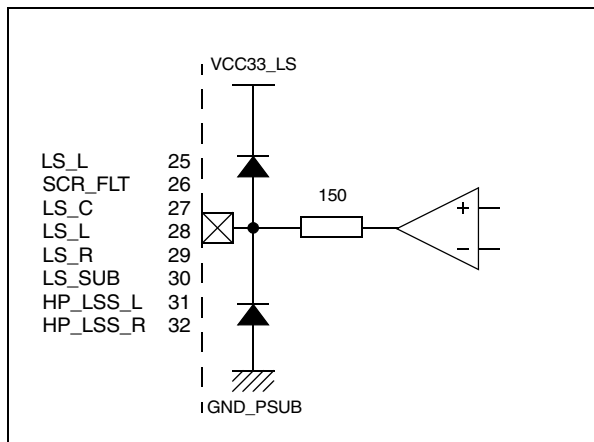
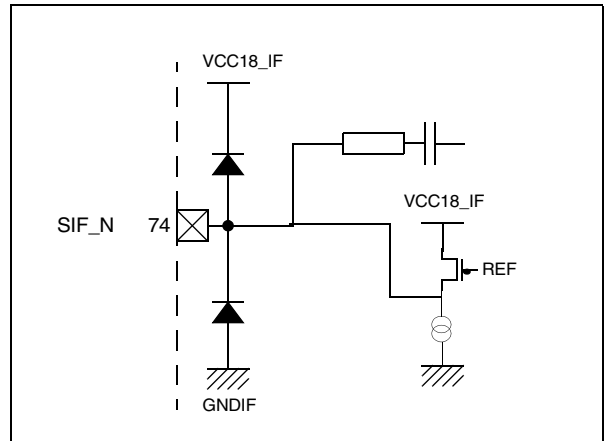
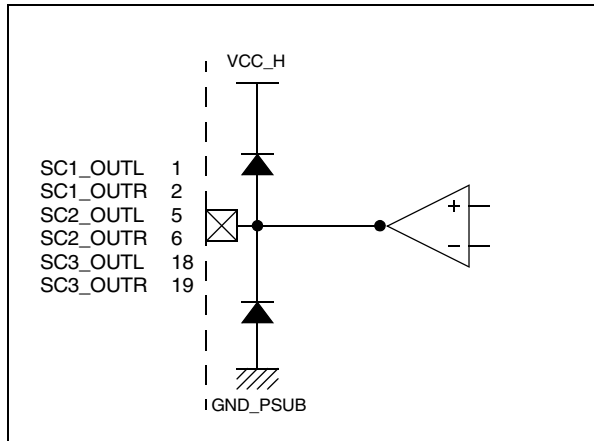
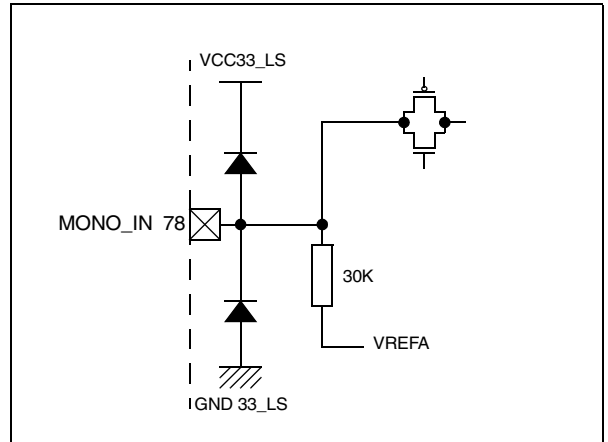
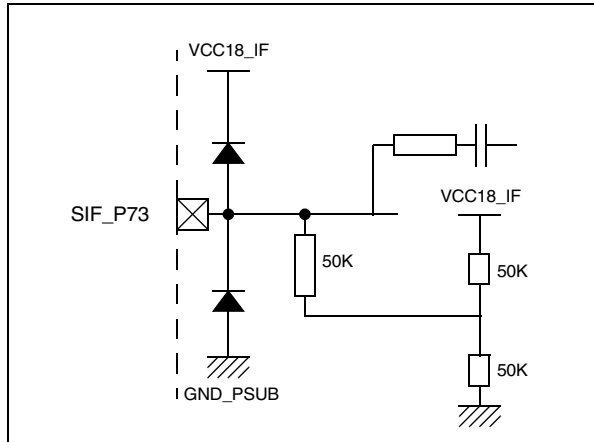


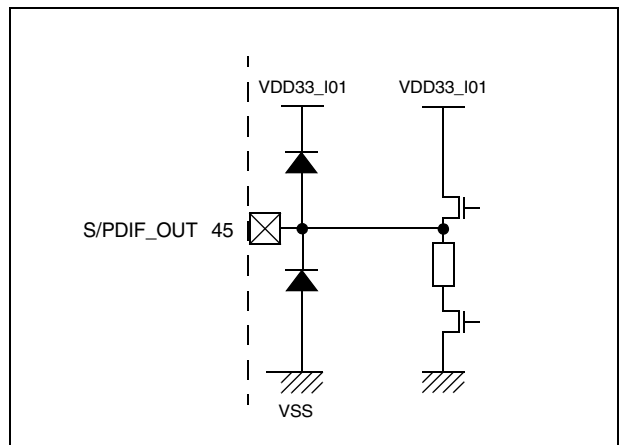
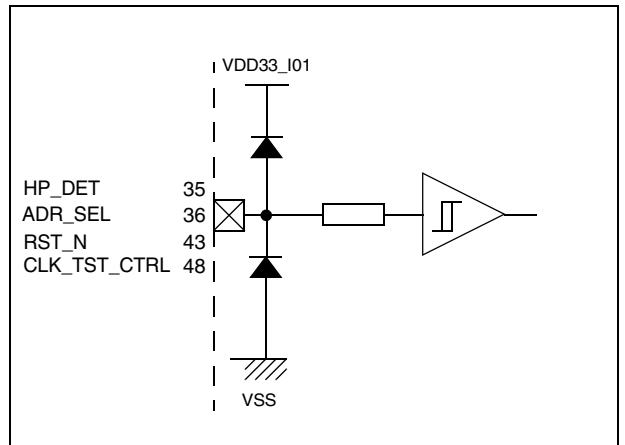
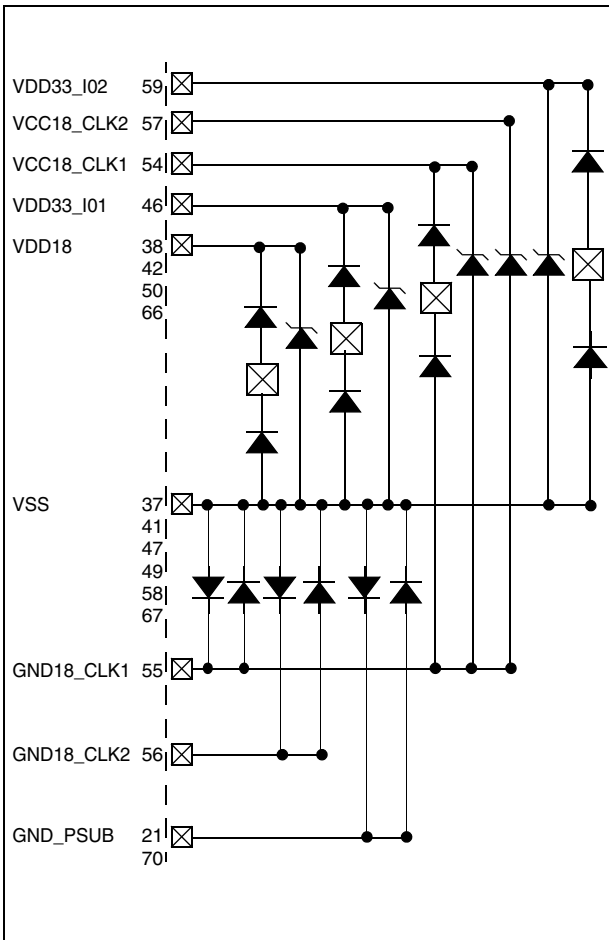
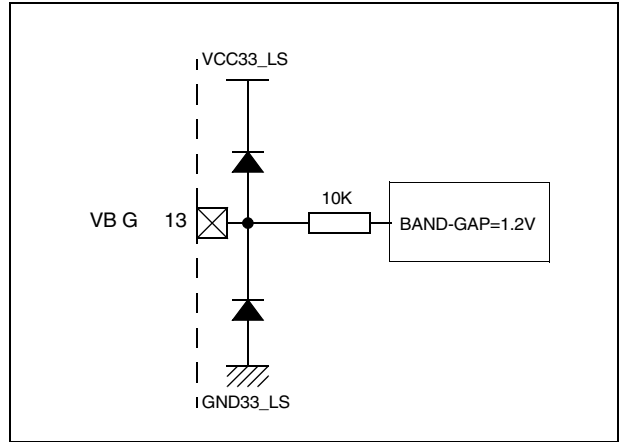
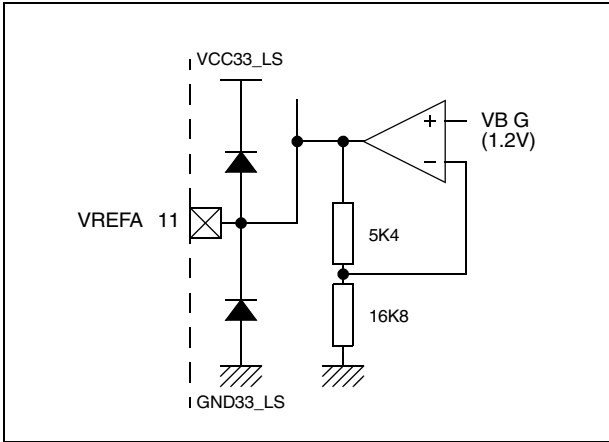
Figure 33: STV82x7/STV82x8 TQFP80 Compatibility Application Diagram

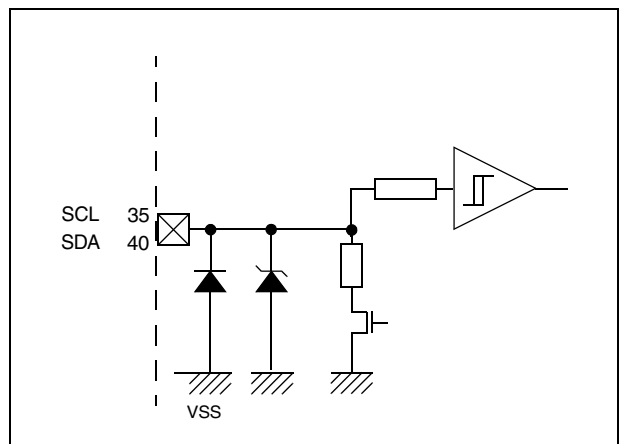
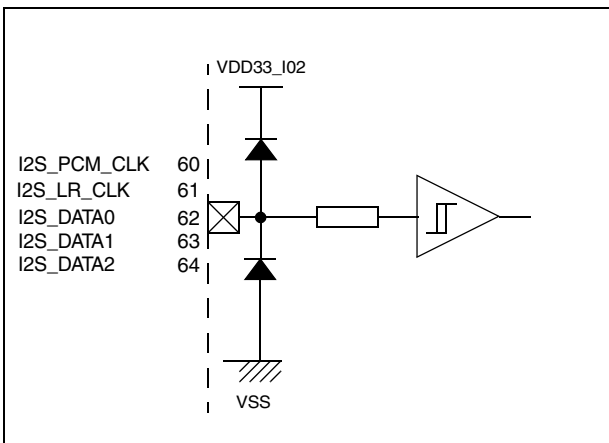
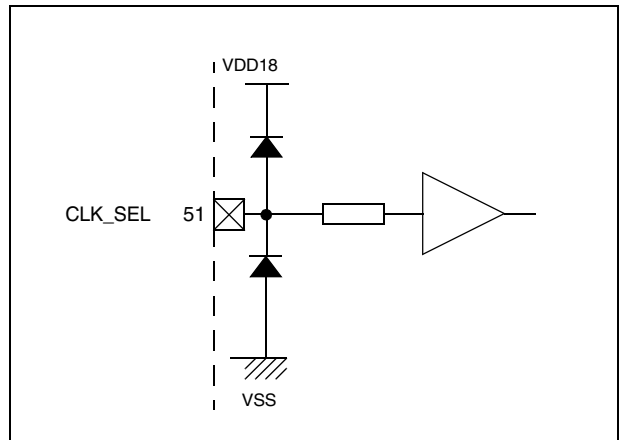
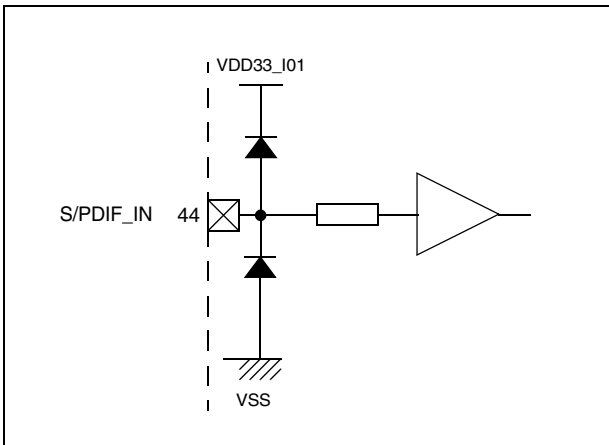
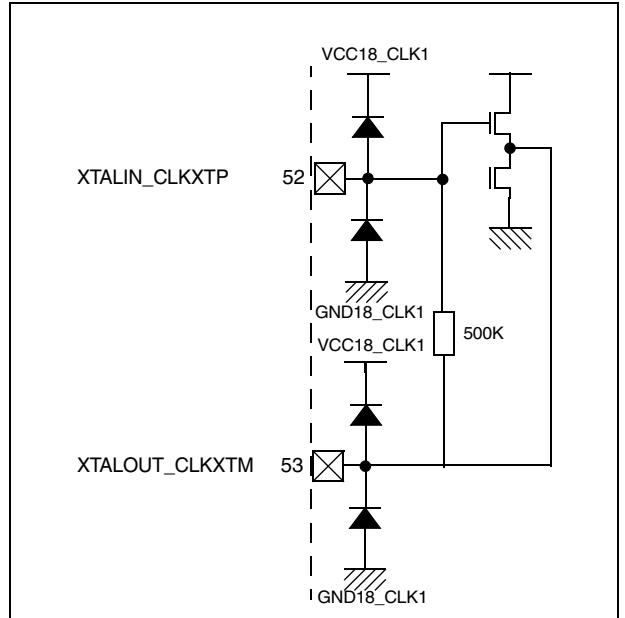
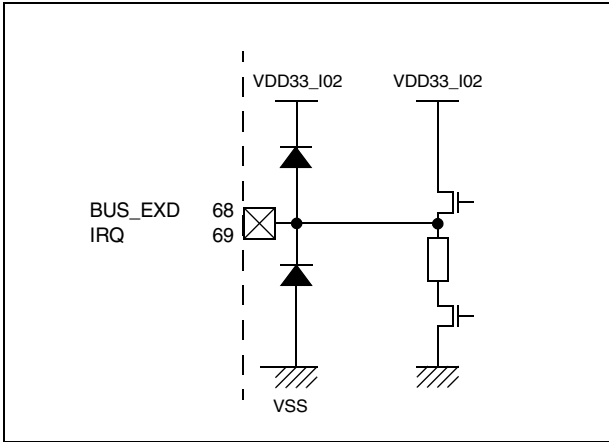


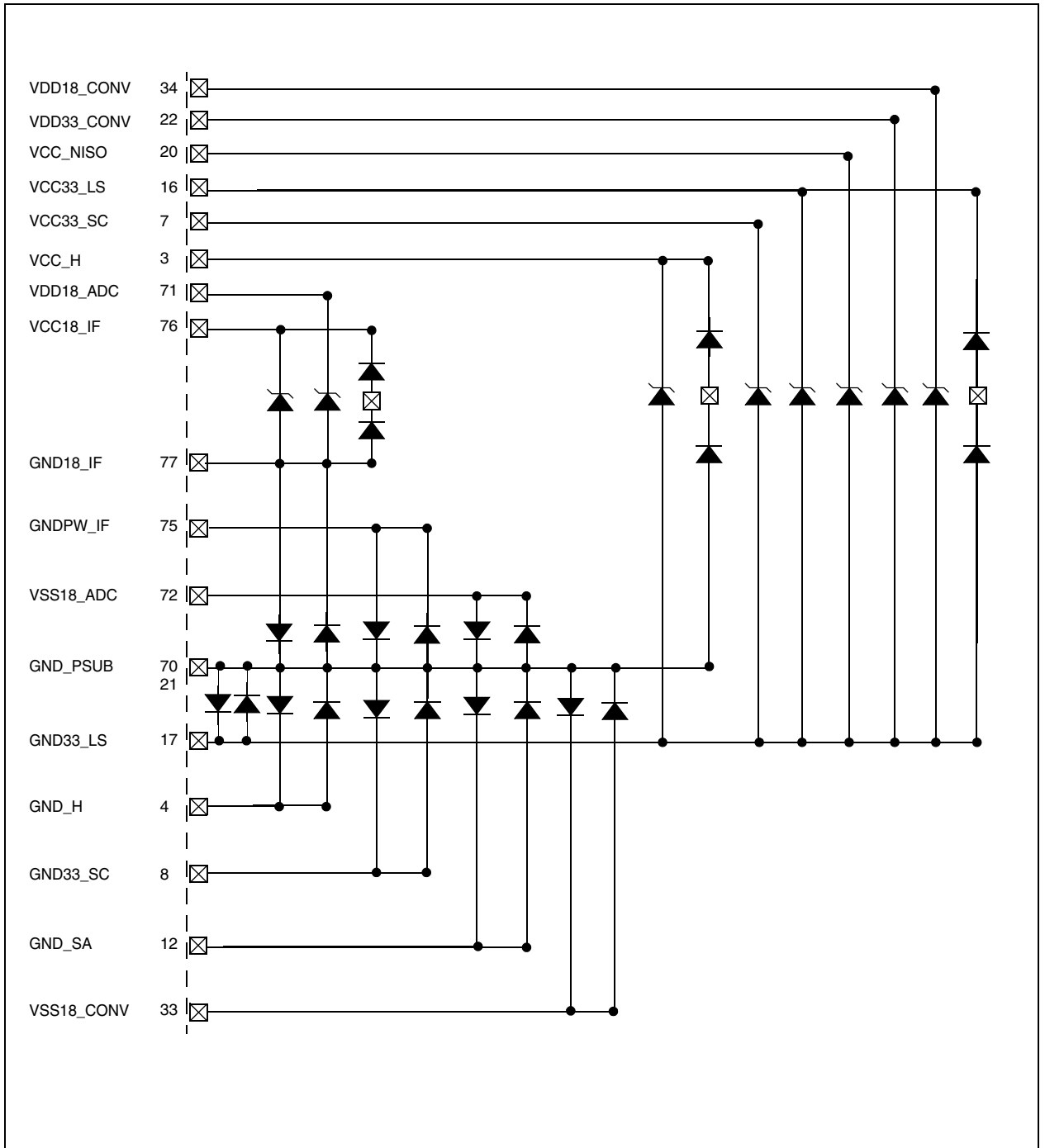
15 Input/Output Groups

Pin numbers apply to SDIP package only.









16 Electrical Characteristics

Test Conditions: $T_{\text{OPER}} = 25^{\circ}\text{C}$, $V_{\text{CC}_H} = 8\text{V}$, $V_{\text{XX}_{18}} = 1.8\text{V}$, $V_{\text{XX}_{33}} = 3.3\text{V}$, crystal oscillator at 27 MHz, default register values for synthesizer, unless otherwise specified.

16.1 Absolute Maximum Ratings

Symbol	Parameter	Value	Units
$V_{\text{XX}_{18}}$	Analog and Digital 1.8 V Supply Voltage ($V_{\text{CC18_CLK1}}$, $V_{\text{CC18_CLK2}}$, $V_{\text{CC18_IF}}$, V_{DD18} , $V_{\text{DD18_CONV}}$, $V_{\text{DD18_ADC}}$)	2.5	V
$V_{\text{XX}_{33}}$	Analog and Digital 3.3 V Supply Voltage ($V_{\text{CC33_SC}}$, $V_{\text{CC33_LS}}$, $V_{\text{DD33_IO1}}$, $V_{\text{DD33_IO2}}$, $V_{\text{DD33_CONV}}$, $V_{\text{CC_NISO}}$)	4.0	V
HV_{CC}	Analog Supply High Voltage (V_{CC_H})	8.8	V
V_{ESD}	Capacitor 100 pF discharged via 1.5 k Ω serial resistor (Human Body Model)	4	kV
T_{OPER}	Operating Ambient Temperature	0, +70	$^{\circ}\text{C}$
T_{STG}	Storage Temperature	-55 to +150	$^{\circ}\text{C}$

16.2 Thermal Data

Symbol	Parameter	Value	Units
R_{thJA}	Junction-to-Ambient Thermal Resistance	42	$^{\circ}\text{C}/\text{W}$

16.3 Power Supply Data

Symbol	Parameter	Min.	Typ.	Max.	Units
$V_{\text{XX}_{18}}$	Analog and Digital 1.8 V Supply Voltage ($V_{\text{CC18_CLK1}}$, $V_{\text{CC18_CLK2}}$, $V_{\text{CC18_IF}}$, V_{DD18} , $V_{\text{DD18_CONV}}$, $V_{\text{DD18_ADC}}$)	1.70	1.80	1.90	V
$V_{\text{XX}_{33}}$	Analog and Digital 3.3 V Supply Voltage ($V_{\text{CC33_SC}}$, $V_{\text{CC33_LS}}$, $V_{\text{DD33_IO1}}$, $V_{\text{DD33_IO2}}$, $V_{\text{DD33_CONV}}$, $V_{\text{CC_NISO}}$)	3.13	3.30	3.47	V
HV_{CC}	Analog Supply High Voltage (V_{CC_H})	7.6	8.0	8.4	V
I_{VDD18}	Current Consumption for Digital 1.8 V Supply ($V_{\text{CC18_CLK2}}$, V_{DD18} , $V_{\text{DD18_CONV}}$, $V_{\text{DD18_ADC}}$)		TBD		mA
I_{VDD33}	Current Consumption for Digital 3.3 V Supply ($V_{\text{DD33_IO1}}$, $V_{\text{DD33_IO2}}$)		TBD		mA
I_{VCC18}	Current Consumption for Analog 1.8 V Supply ($V_{\text{CC18_CLK1}}$, $V_{\text{CC18_IF}}$)		TBD		mA
I_{VCC33}	Current Consumption for Analog 3.3 V Supply ($V_{\text{CC33_SC}}$, $V_{\text{CC33_LS}}$, $V_{\text{DD33_CONV}}$, $V_{\text{CC_NISO}}$)		TBD		mA
I_{VCC_H}	Current Consumption for Analog Supply High Voltage (8 V)		TBD		mA
P_{DTOT}	Total Power Dissipation		TBD		mW

16.4 Crystal Oscillator

Symbol	Parameter	Min.	Typ.	Max.	Units
f_P	Crystal Series Resonance Frequency (at $C_{21} = C_{22} = 27$ pF load capacitor)		27		MHz
DF/F_P	Frequency Tolerance at 25 °C	-30		+30	ppm
DF/F_T	Frequency Stability versus Temperature within a range from 0 to 70 °C	-30		+30	ppm
C_1	Motional Capacitor			15	fF
R_S	Serial Resistance			30	Ω
C_S	Shunt Capacitance			7	pF

16.5 Analog Sound IF Signal

Symbol	Parameter	Test Conditions	Min.	Typ.	Max.	Units
$BAND_{SIF}$	SIF Frequency Flatness	AGC_ERR at 0, frequency range from 4 to 7MHz				dB
R_{INSIF}	SIF Input Resistance		60	72	85	k Ω
DC_{INSIF}	SIF Input DC Level			0.9		V
C_{INSIF}	SIF Input Capacitance			3		pF
FM Carrier						
$VSIF_{FM}$	SIF Input Sensitivity	SNR 40 dB RMS unweighted 20 Hz to 15 kHz Standard M/N 27 kHz FM Deviation 1 kHz	TBD			μV_{PP}
$DFSIF_{FM}$	SIF Carrier Accuracy for FM	Standard (FM50k)		± 1	± 5	kHz
		Shifted Standard (FM50k with DCO compensation)			± 120	kHz
AGC						
AGC_{step}	IF AGC Step		1.4	1.5	1.6	dB
AGC_{dyn}	Relative Maximum Gain to Step 0	Valid from Step 21 to Step 31	29	30	31	dB

16.6 SIF to I²S Output Path Characteristics

Test Conditions: SIF amplitude = 100 mVpp, unless otherwise specified, I²S output.

Symbol	Parameter	Test Conditions	Min.	Typ.	Max.	Units
FM Demodulation						
$BAND_{FM}$	Frequency Response	20 Hz to 15 kHz			TBD	dB

Symbol	Parameter	Test Conditions	Min.	Typ.	Max.	Units
SNR _{FM}	Signal to Noise	RMS unweighted, 20 Hz to 15 kHz, Standard M/N 27 kHz FM Deviation, 1 kHz	TBD			dB
THD _{FM}	Total Harmonic Distortion				TBD	%
SEP _{FM}	Stereo Channel Separation	Standard M/N BTSC stereo, FM deviation, 1 kHz	TBD			dB

16.7 SCART to SCART Analog Path Characteristics

Test Conditions: Rload_{MAX} = 10 kΩ, Cload_{MAX} = 330 pF, MONO_IN voltage = 0.5 V_{RMS}

Symbol	Parameter	Test Conditions	Min.	Typ.	Max.	Units
Analog-to-Analog STEREO and MONO						
R _{INSCART}	SCART Input Resistance			34		kΩ
R _{OUTSCART}	Output Resistance for SCARTs			40		Ω
VDC _{INSCART}	SCART Input DC Level			1.57		V
VDC _{OUTSCART}	SCART Output DC Level			3.64		V
CLIP _{SCART}	Clipping SCART	Clipping input level from SCART input	At 1 kHz 1% THD			V _{RMS}
		Clipping input level from MONO_IN input				V _{RMS}
THD _{SCART}	THD SCART	THD from SCART input	1 V _{RMS} , at 1 kHz		0.02	%
		THD from MONO_IN input	0.25 V _{RMS} , at 1 kHz		0.02	%
SNR _{SCART}	Signal to Noise Ratio	SCART input	1 V _{RMS} , 20 Hz to 20 kHz Bandwidth, RMS unweighted		82	dB
		MONO_IN input	0.25 V _{RMS} , 20 Hz to 20 kHz Bandwidth, RMS unweighted		76	dB
BAND _{SCART}	Frequency Flatness	SCART input	20 Hz to 20 kHz			dB
		MONO_IN input	20 Hz to 20 kHz		12	dB
XTALK _{L/R}	Left/Right Crosstalk	1 V _{RMS} @ 1 kHz on ref signal, the other one grounded		90		dB
XTALK _{IN}	Audio Crosstalk from Input Channel <i>n</i> to Input Channel <i>m</i>	1 V _{RMS} @ 1 kHz on ref signal, all other inputs grounded		90		dB
XTALK _{OUT}	Audio Crosstalk from Output Channel <i>n</i> to Output Channel <i>m</i>	1 V _{RMS} @ 1 kHz on reference output, signal on a single input, all other inputs grounded		90		dB

16.8 SCART and MONO IN to I²S Path Characteristics

Test Conditions: Sampling Frequency = 32 kHz, Maximum MONO_IN voltage = 0.5 V_{RMS}.

Symbol	Parameter	Test Conditions	Min.	Typ.	Max.	Units	
THD _{ADC}	THD ADC	THD from SCART input	V _{IN} = 2 V _{RMS} at 1 KHz		0.006		%
		THD from MONO_IN input	V _{IN} = 0.5 V _{RMS} at 1 KHz		0.006		%
SNR _{ADC}	Signal to Noise Ratio	20 to 15 kHz Bandwidth, RMS unweighted V _{IN} = 200 mV _{RMS} SCART input				dB	
BAND _{ADC}	Frequency Flatness	20 Hz to 15 kHz				dB	
XTALK _{ADC}	Left Right Crosstalk	at 1 KHz, V _{IN} = 1 V _{RMS}				dB	

16.9 I²S to LS/HP/SUB/C Path Characteristics

Test Conditions: Sampling Frequency = 32KHz, L_{LOAD} = 100 μH, C_{LOAD} = 33nF, R_{LOAD} = 30KΩ

Symbol	Parameter	Test Conditions	Min.	Typ.	Max.	Units
R _{OUTDAC}	Output Resistance for Main Outputs	LS_L, LS_R, LS_SUB, LS_C, HP_LSS_R and HP_LSS_L pins		90		Ω
VDC _{OUTDAC}	MAIN Output DC Level			1.54		V
THD _{DAC}	Total Harmonic Distortion	90% Full-scale Range at 1 kHz				%
SNR _{DAC}	Signal to Noise Ratio	20 to 15 kHz Bandwidth, RMS unweighted, at -20dB full range				dB
V _{OUTAMPDAC}	MAIN Output Amplitude	100% Full-scale Range at 1 kHz		900		mV _{RMS}
XTALK _{DAC}	Left Right Crosstalk	at 1 KHz, -20dBFS				dB

16.10 I²S to SCART Path Characteristics

Test Conditions: Sampling Frequency = 32 kHz, C_{LOAD} = 33 nF on DAC SCART pins, DAC SCART prescale at -5.5 dB.

Symbol	Parameter	Test Conditions	Min.	Typ.	Max.	Units
THD _{DACSCART}	Total Harmonic Distortion	90% Full-scale Range at 1 kHz		0.08		%
SNR _{DACSCART}	Signal to Noise Ratio	20 Hz to 15 kHz Bandwidth unweighted, -20dB Full Range				dB
V _{ODACSCART}	MAIN Output Amplitude	100% Full-scale Range at 1 kHz		2		V _{RMS}
XTALK _{DACSCART}	Left Right Crosstalk	at 1 KHz, -20 dBFS				dB

16.11 MUTE Characteristics

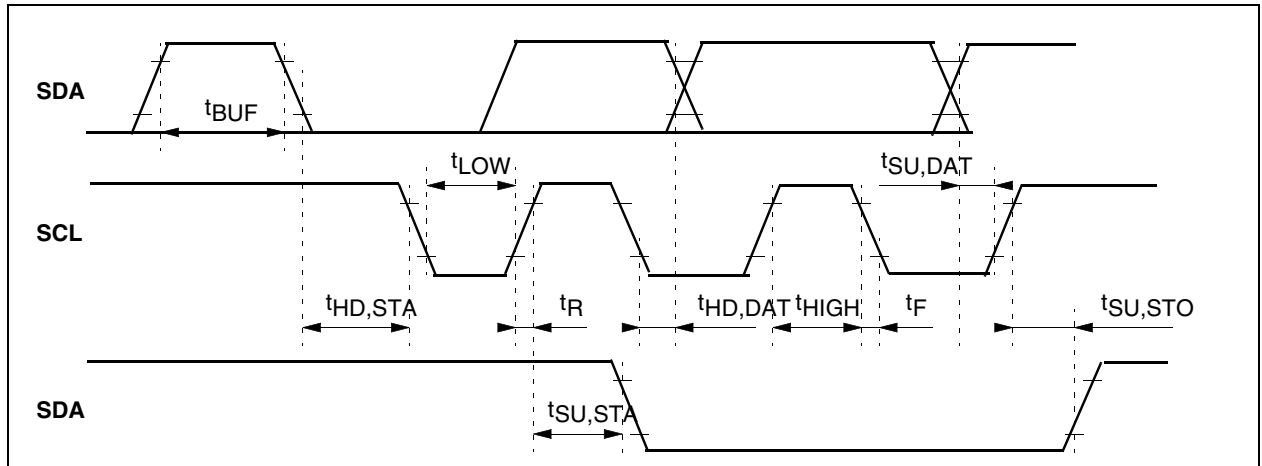
Symbol	Parameter	Test Conditions	Min.	Typ.	Max.	Units
MUTE _{DAC}	DAC Mute analog	I2S to DAC at 1 kHz				dB
MUTE _{SCART}	SCART Mute	2 V _{RMS} @ 1 kHz on ref signal, all other inputs grounded				dB

16.12 Digital I/Os Characteristics

Symbol	Parameter	Test Conditions	Min.	Typ.	Max.	Units
V _{IL}	Low Level Input Voltage	except SDA, SCL and CLK_SEL, 3.3V power supply			0.5	V
V _{IH}	High Level Input Voltage	except SDA, SCL and CLK_SEL, 3.3V power supply	2.0			V
I _{IN}	Input Current				1	μA
V _{ILCLK_SEL}	CLK_SEL Low Level Input Voltage	1.8V power supply			0.3	V
V _{IHCLK_SEL}	CLK_SEL High Level Input Voltage	1.8V power supply	1.2			V
V _{OL}	Low Level Output Voltage	S/PDIF_OUT, IRQ, BUS_EXP			0.3	V
V _{OH}	High Level Output Voltage	S/PDIF_OUT, IRQ, BUS_EXP	3.0			V

16.13 I²C Bus Characteristics

Symbol	Parameter	Test Conditions	Min.	Typ	Max.	Unit
SCL						
V _{IL}	Low Level Input Voltage		-0.3		1.5	V
V _{IH}	High Level Input Voltage		2.3		5.5	V
I _{IL}	Input Leakage Current	V _{IN} = 0 to 5.0 V	-10		10	μA
f _{SCL}	Clock Frequency				400	kHz
t _R	Input Rise Time	1 V to 2 V			300	ns
t _F	Input Fall Time	2 V to 1 V			300	ns
C _I	Input Capacitance				10	pF
SDA						
V _{IL}	Low Level Input Voltage		-0.3		1.5	V
V _{IH}	High Level Input Voltage		2.3		5.5	V
I _{IL}	Input Leakage Current	V _{IN} = 0 to 5.0 V	-10		10	μA
t _R	Input Rise Time	1 V to 2 V			300	ns
t _F	Input Fall Time	2 V to 1 V			300	ns
V _{OL}	Low Level Output Voltage	I _{OL} = 3 mA			0.4	V
t _F	Output Fall Time	2 V to 1 V			250	ns
C _L	Load Capacitance				400	pF
C _I	Input Capacitance				10	pF
I²C Timing						
t _{LOW}	Clock Low period		1.3			μs
t _{HIGH}	Clock High period		0.6			μs
t _{SU,DAT}	Data Set-up Time		100			ns
t _{HD,DAT}	Data Hold Time		0		900	ns
t _{SU,STO}	Set-up Time from Clock High to Stop		0.6			μs
t _{BUF}	Start Set-up Time following a Stop		1.3			μs
t _{HD,STA}	Start Hold Time		0.6			μs
t _{SU,STA}	Start Set-up Time following Clock Low to High Transition		0.6			μs

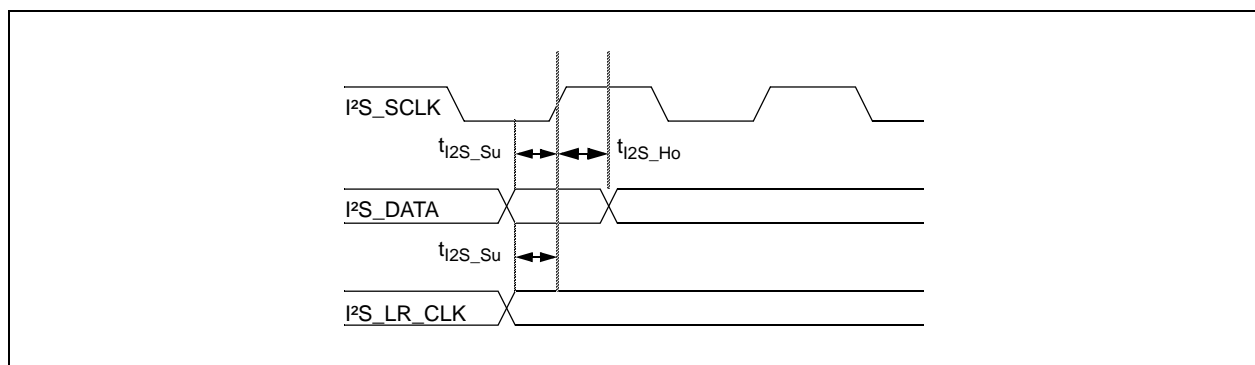
Figure 34: I²C Bus Timing

16.14 I²S Bus Interface

I²S Bus Interface timing values shown in [Figure 35](#).

Symbol	Parameter	Test Conditions	Min.	Typ.	Max.	Unit
I²S Input						
V_{I2S_IL}	Input I ² S Low Level Voltage				0.8	V
V_{I2S_IH}	Input I ² S High Level Voltage		2			V
Z_{I2S}	Input I ² S Impedance				5	pF
I_{I2S_Leak}	I ² S Leakage Current		-1		1	μ A
t_{I2S_Su}	I ² S Input Setup Time before Rising Edge of Clock	See Figure 35	30			ns
t_{I2S_Ho}	I ² S Input Hold Time after Rising Edge of Clock	See Figure 35	100			ns
f_{I2S_LR0}	I ² S Left Right Strobe Input Frequency (I ² S_DATA0 and I ² SA_DATA with SRC)		30		49	kHz
f_{I2S_SCL0}	I ² S Serial Clock Input Frequency (I ² S_DATA0 and I ² SA_DATA with SRC)		1.092		3.136	MHz
f_{I2S_LR}	I ² S Left Right Strobe Input Frequency (I ² S_DATA0 and I ² SA_DATA with PLL, I ² S_DATA1,2)	Deviation = \pm 250 ppm	32	48		kHz
f_{I2S_SCL}	I ² S Serial Clock Input Frequency (I ² S_DATA0 and I ² SA_DATA with PLL, I ² S_DATA1,2)			3.072		MHz
R_{I2S_SCL}	I ² S Serial Clock Input Ratio		0.9		1.1	
I²S Output (I²S_DATA0 only)						
V_{I2SOL}	Output I ² S Low Level Voltage	$I_{OL} = 2$ mA			0.4	V
V_{I2SOH}	Output I ² S High Level voltage	$I_{OH} = 2$ mA	2.4			V

Symbol	Parameter	Test Conditions	Min.	Typ.	Max.	Unit
f_{I2S_OLR}	I ² S Left Right Strobe Output Frequency (I ² S_DATA0 and I ² SO_DATA0,1)			48		kHz
f_{I2S_OSCL}	I ² S Serial Clock Output Frequency (I ² S_DATA0 and I ² SO_DATA0,1)			3.072		MHz
R_{I2S_SCL}	I ² S Serial Clock Output Ratio		0.9		1.1	
t_{I2S_DEL}	I ² S Output Delay After Falling Edge of Clock	See Figure 35, CI = 30 pF			30	ns

Figure 35: I²S Input Bus Timings

17 Package Mechanical Data

17.1 TQFP80 Package

Figure 36: 80-Pin Thin Plastic Quad Flat Package

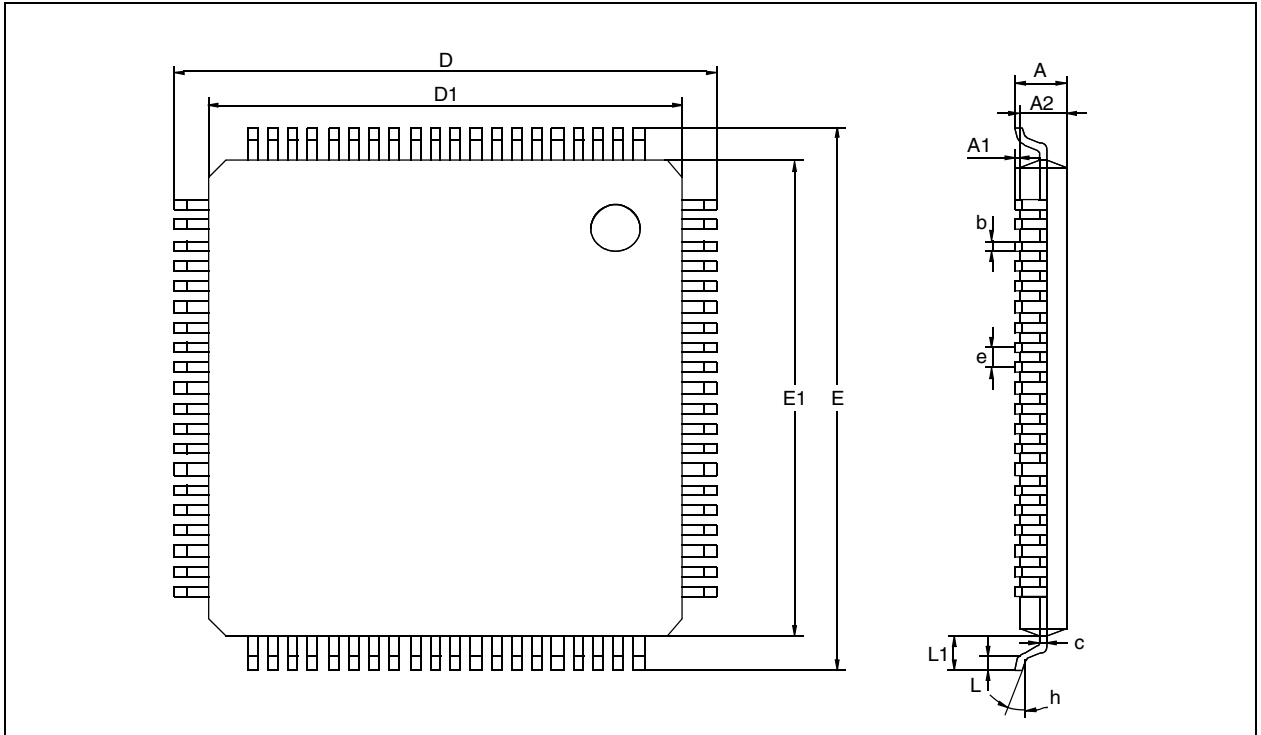


Table 23: Package Mechanical Dimensions

Dim.	mm			inches		
	Min.	Typ.	Max.	Min.	Typ.	Max.
A			1.60			0.063
A1	0.05		0.15	0.002		0.006
A2	1.35	1.40	1.45	0.053	0.055	0.057
b	0.22	0.32	0.38	0.009	0.013	0.015
C	0.09		0.20	0.004		0.008
D		16.00			0.630	
D1		14.00			0.551	
E		16.00			0.630	
E1		14.00			0.551	
e		0.65			0.026	
K	0°	3.5°	0.75°	0°	3.5°	0.75°
L	0.45	0.60	0.75	0.018	0.024	0.030
L1		1.00			0.039	

17.2 TQFP100 Package

Figure 37: 100-Pin Thin Plastic Quad Flat Package

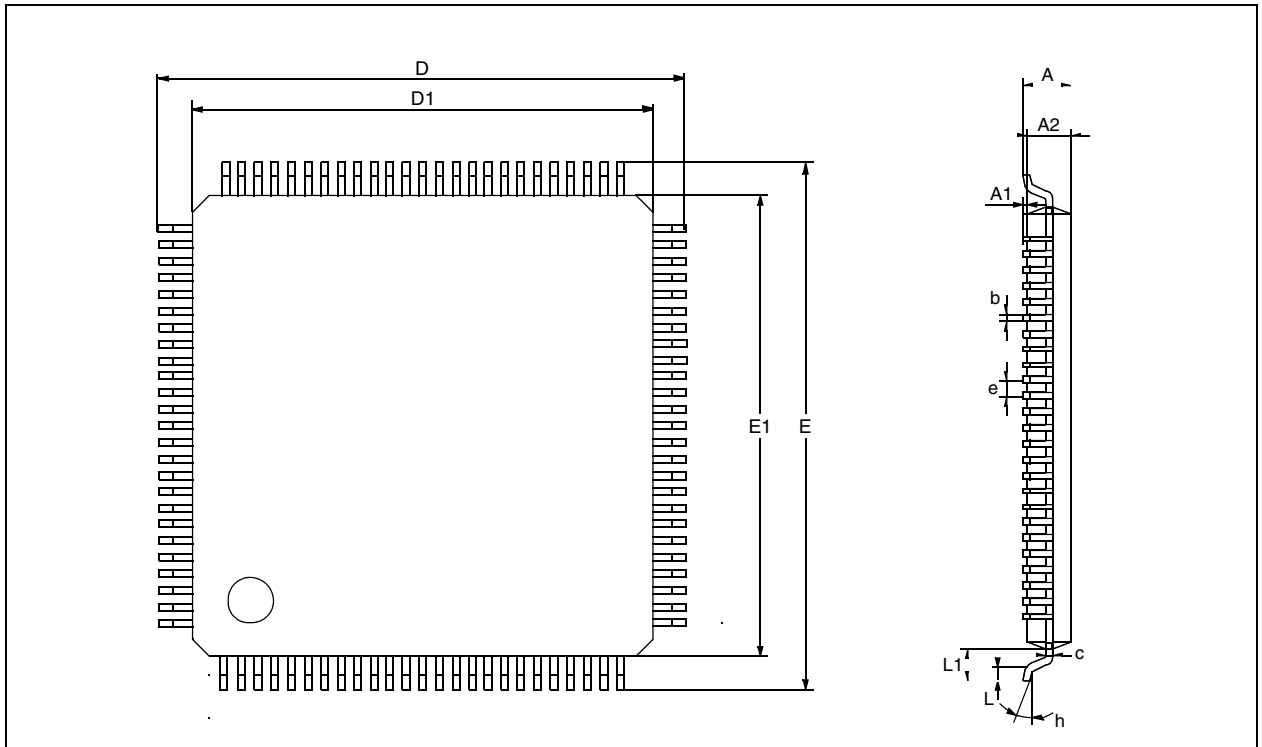


Table 24: Package Mechanical Dimensions

Dim.	mm			inches		
	Min.	Typ.	Max.	Min.	Typ.	Max.
A			1.60			0.063
A1	0.05		0.15	0.002		0.006
A2	1.35	1.40	1.45	0.053	0.055	0.057
b	0.17	0.22	0.27	0.007	0.009	0.011
C	0.09		0.20	0.004		0.008
D		16.00			0.630	
D1		14.00			0.551	
E		16.00			0.630	
E1		14.00			0.551	
e		0.50			0.020	
θ	0°	3.5°	7°	0°	3.5°	7°
L	0.45	0.60	0.75	0.018	0.024	0.030
L1		1.00			0.039	
	Number of Pins					
N	100					

18 Revision History

Revision	Date	Modification
0.1	15 Nov. 2004	Preliminary Datasheet - First Issue.
0.2	19 Nov. 2004	Major updates to Key Features on page 1, Typical Applications on page 1 and Chapter 1: General Description on page 8.
0.3	7 Jan. 2005	Addition of TQFP100 information.
1.0	23 Feb. 2005	Updated Figure 1: STV82x8 Block Diagram (TQFP80) on page 2, Figure 2: STV82x8 Block Diagram (TQFP100) on page 3, Section 16.5: Analog Sound IF Signal on page 146 and Section 16.6: SIF to I²S Output Path Characteristics on page 146.

Index

A

Analog-to-Digital Conversion	19
Audio Matrix	
Analog	35
Automatic Frequency Control	20
Automatic Gain Control	19
Automatic Standard Recognition System	19-20, 47

B

Back-end Processing	21
Bass Management	25
Bass-Treble Control	31
Beeper	33

C

Clock Generator	18
-----------------------	----

D

Demodulation	19
Dolby Pro Logic II Decoder	25

E

Electrical Characteristics	145
Absolute Maximum Ratings	145
Analog Sound IF Signal	146
Crystal Oscillator	146
Digital I/Os	149
I ² C Bus	150
I ² S to LS/HP/SW Path	148
I ² S to SCART Path	148
MUTE Performance	149
SCART to LS/HP/SW Path	148
SCART to SCART Analog Path	147
SIF to LS/HP/SCART Path	146
Supply Data	145
Thermal Data	145
Equalizer	
5-Band Audio	31

H

Headphone Detection	42
---------------------------	----

I

I ² C Address	44
I ² C Bus Expander	42
I ² C Protocol	44
I ² S Inputs	
TQFP100	37
TQFP80	36
I ² S Outputs	

TQFP 80	37
TQFP100	38
I ² C	151
I ² C Address	44
IRQ Generation	42

L

Loudness Control	
Automatic	32

P

Package Mechanical Data	153
Power Supply Management	41

R

Registers	
Clocking 1	56
Clocking 2	72
Demodulator	58
Demodulator Channel 1	61
General Control	53
I ² C Map	47
Reset values	43

S

SIF Signal	
Analog	19
Signal Processor	
Dedicated Digital	21
Signal to Noise	147
Smart Volume Control	30
Soft Mute Control	33
Software Information	14
SRS	
3D Mono/Stereo	30
Dialog Clarity	30
WOW	30
SRS,	
TruBass%	30
TruSurround	29
TruSurround XT%	29
ST Bass Enhancer	31
ST Dynamic Bass	31
ST OmniSurround	25
ST WideSurround	24

T

Total Harmonic Distortion	147
---------------------------------	-----

V

Volume/Balance Control	32
------------------------------	----

Information furnished is believed to be accurate and reliable. However, STMicroelectronics assumes no responsibility for the consequences of use of such information nor for any infringement of patents or other rights of third parties which may result from its use. No license is granted by implication or otherwise under any patent or patent rights of STMicroelectronics. Specifications mentioned in this publication are subject to change without notice. This publication supersedes and replaces all information previously supplied. STMicroelectronics products are not authorized for use as critical components in life support devices or systems without express written approval of STMicroelectronics.

The ST logo is a registered trademark of STMicroelectronics

All other names are the property of their respective owners

© 2005 STMicroelectronics - All rights reserved

STMicroelectronics GROUP OF COMPANIES

Australia - Belgium - Brazil - Canada - China - Czech Republic - Finland - France - Germany - Hong Kong - India - Israel - Italy
- Japan - Malaysia - Malta - Morocco - Singapore - Spain - Sweden - Switzerland - United Kingdom - United States

www.st.com