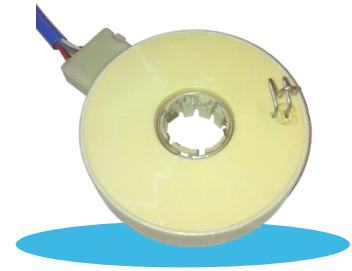


SX-4388

LH3 Steering Torque Sensor



Features:

- Torque $\pm 8^\circ$ ($\pm 5^\circ$ is available)
- Provides critical high accuracy torque & multi-turn position information
- Redundant outputs for full diagnostics
- Lead-free
- RoHS 2 compliant

Applications:

- Electric power steering systems

Electrical

Torque signal linearity	$\pm 3\%$
Torque hysteresis	0.5%
Torque signal microgradient	$\pm 30\%$ of theoretical slope over 0.4° interval
Torque signal sensing angle	$\pm 8^\circ$
Total resistance	$833 \Omega \pm 30\%$

Mechanical

Torque mechanical travel	$\pm 11.4^\circ$
Turning torque (rotor to rotor)	0.03 NM maximum
Turning torque (rotor to housing)	0.06 NM maximum
Weight	95 grams maximum

Environmental

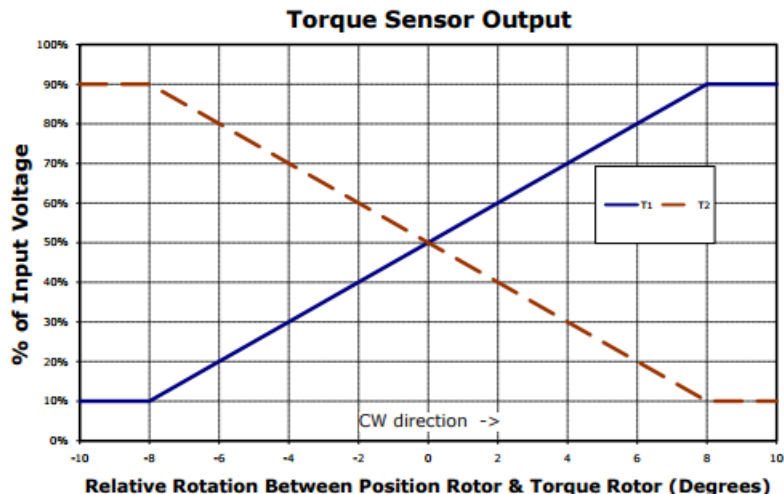
Operating temperature range	-40°C to $+85^\circ\text{C}$
Shock	14 ms half-sine at 300 m/s^2
Vibration	10 to 55 Hz with 1 mm P-P constant displacement, 120 hours each of 3 planes
Torque rotational life	1 million cycles
Storage temperature life	1 million cycles

General Note

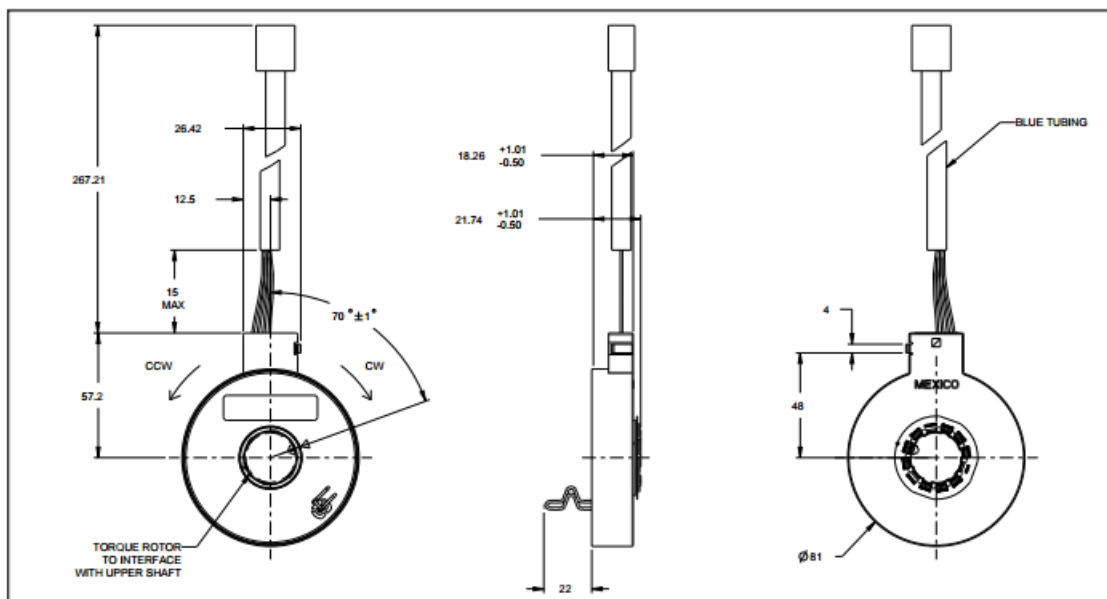
TT Electronics reserves the right to make changes in product specification without notice or liability. All information is subject to TT Electronics' own data and is considered accurate at time of going to print.

BI Technologies
4200 Bonita Place, Fullerton, CA 92835 | Ph: +1 714 447 2300
www.bitechnologies.com | www.ttelectronics.com

Output Chart



Outline Drawing



Tolerances ± 0.25 mm unless otherwise specified. See drawing # 122-4388-80 for details.

General Note

TT Electronics reserves the right to make changes in product specification without notice or liability. All information is subject to TT Electronics' own data and is considered accurate at time of going to print.

SX-4388

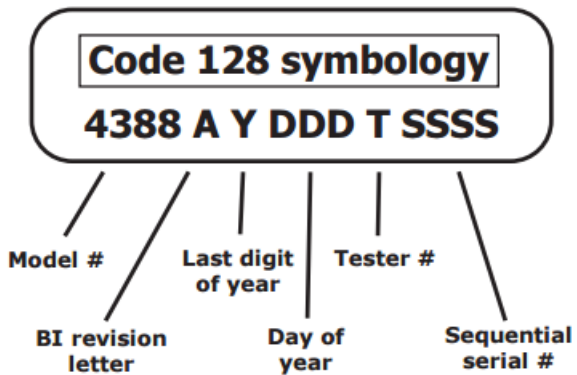
LH3 Steering Torque Sensor



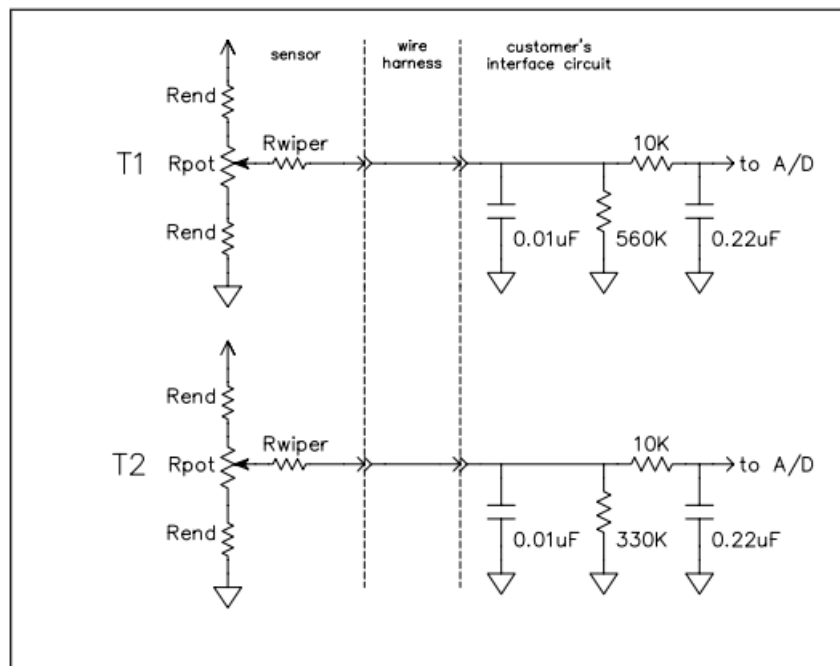
Pinouts

PIN OUTS-6 PIN CONNECTOR		
PACKARD 15336723		
1	2	3
4	5	6
PIN No.	SIGNAL	WIRE COLOR
1	T1	BLUE
2	Vcc	RED
3	T2	PURPLE
4		NOT USED
5	GND	BLACK
6		NOT USED

Barcode Label



Recommended Interface



General Note

TT Electronics reserves the right to make changes in product specification without notice or liability. All information is subject to TT Electronics' own data and is considered accurate at time of going to print.

BI Technologies
 4200 Bonita Place, Fullerton, CA 92835 | Ph: +1 714 447 2300
www.bitechnologies.com | www.ttelectronics.com