

LH3 Torque Sensor

SX-4432



Features:

- Ideally suited for demanding electric power steering systems



Electrical

Torque Signal Linearity	±3%
Torque Hysteresis	0.5%
Torque Signal Microgradient	±30% of theoretical slope over 0.4° interval
Torque Signal Sensing Angle	±8°
Total Resistance	833 Ω ±30%

Mechanical

Torque Mechanical Travel	±11.4°
Turning Torque (rotor to rotor)	0.03 NM Max.
Turning Torque (rotor to housing)	0.06 NM Max.
Weight	95 grams maximum

Environmental

Operating Temperature Range	-40°C to +85°C
Shock	14 ms half-sine at 300 m/s ²
Vibration	10 to 55 Hz with 1 mm P-P constant displacement, 120 hours each of 3 planes
Torque Rotational Life	1 million cycles
Storage Temperature Range	-40°C to +105°C

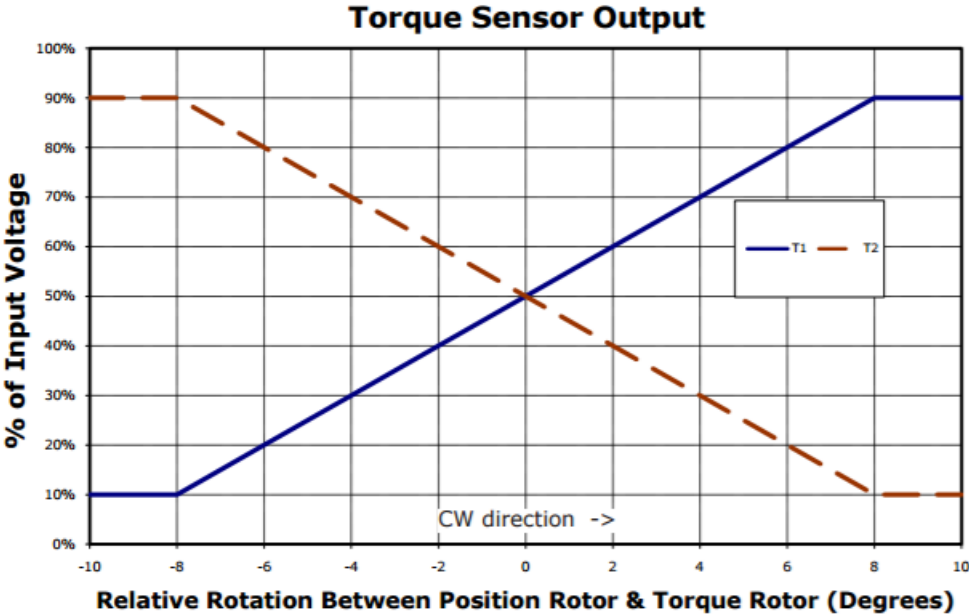


General Note

TT Electronics reserves the right to make changes in product specification without notice or liability. All information is subject to TT Electronics' own data and is considered accurate at time of going to print.

TT Electronics | BI Technologies
4200 Bonita Place, Fullerton, CA 92835-1053, USA | Ph: +1 714 447 2300
www.ttelectronics.com | sensors@ttelectronics.com

Output Charts

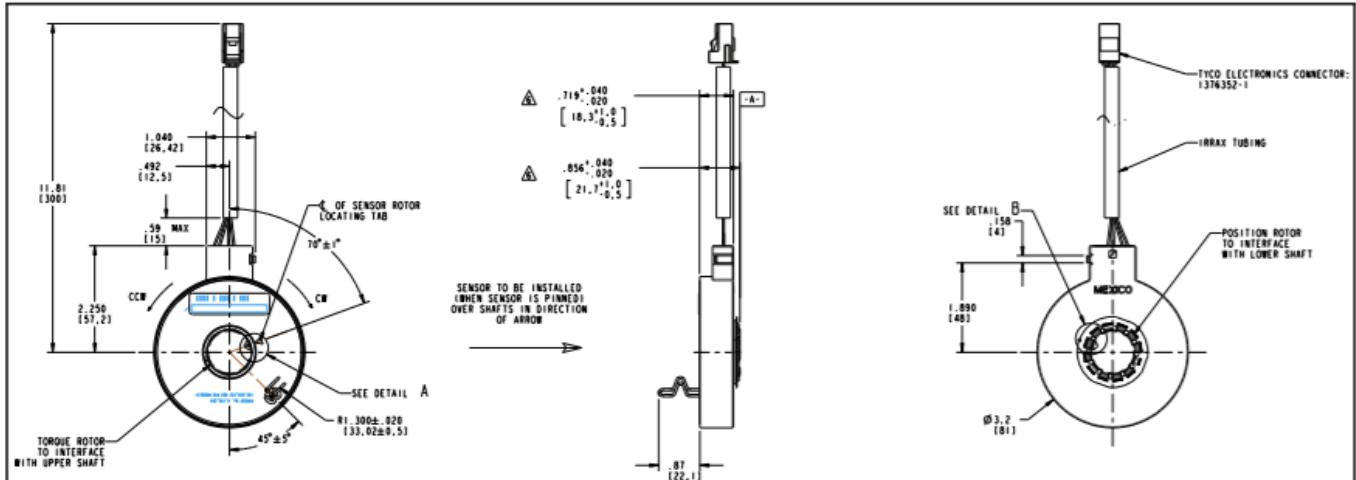


LH3 Torque Sensor

SX-4432

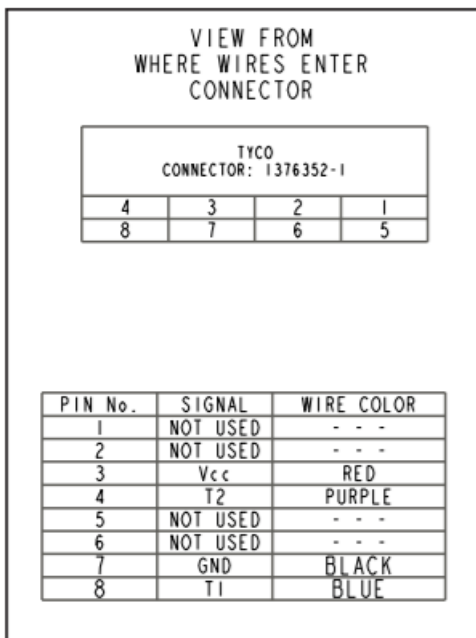


Outline Drawing

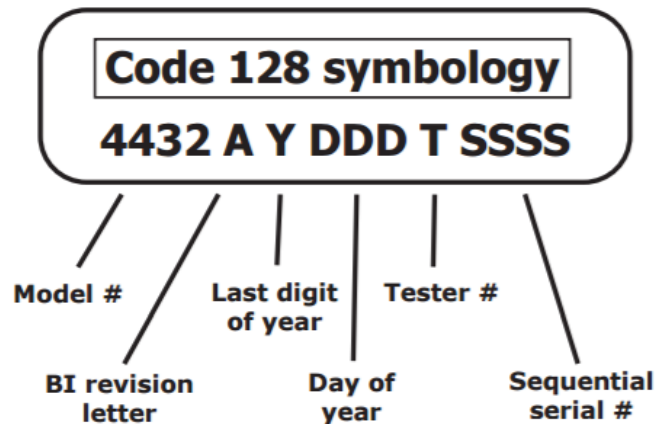


Tolerances ± 0.25 mm unless otherwise specified. See drawing # 122-4432-80 for details.

Pinouts



Barcode Label

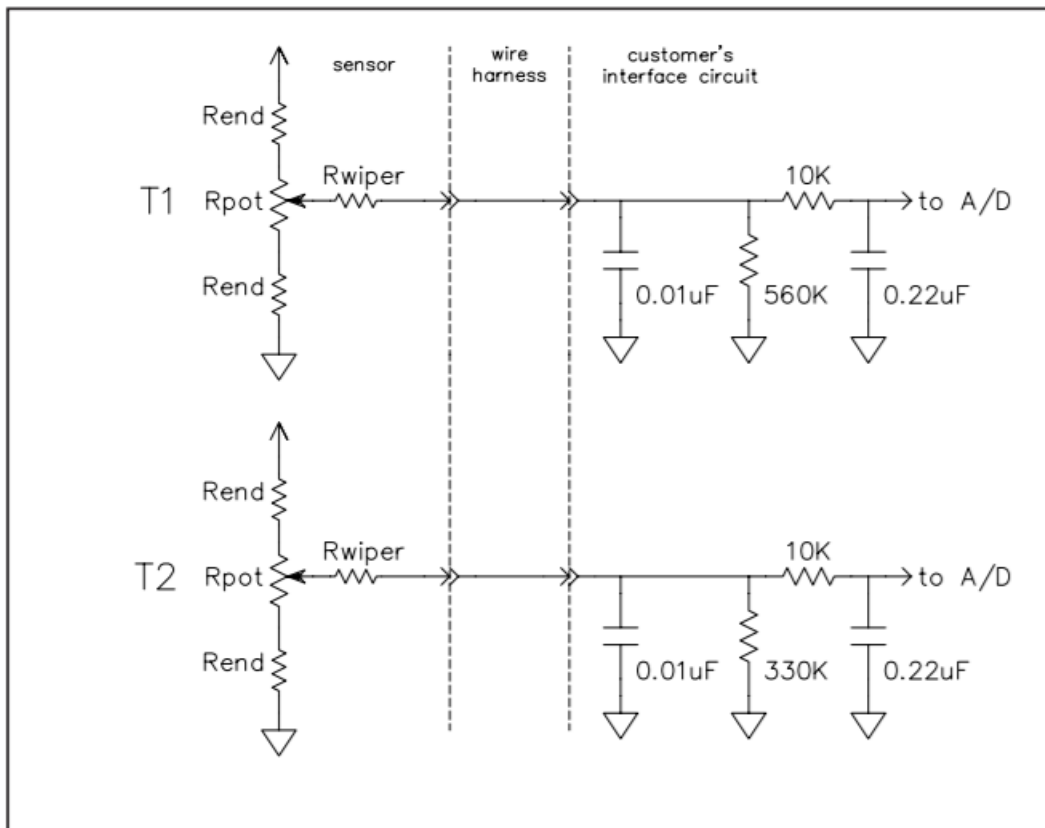


General Note

TT Electronics reserves the right to make changes in product specification without notice or liability. All information is subject to TT Electronics' own data and is considered accurate at time of going to print.

TT Electronics | BI Technologies
4200 Bonita Place, Fullerton, CA 92835-1053, USA | Ph: +1 714 447 2300
www.ttelectronics.com | sensors@ttelectronics.com

Recommended Interface



General Note

TT Electronics reserves the right to make changes in product specification without notice or liability. All information is subject to TT Electronics' own data and is considered accurate at time of going to print.

TT Electronics | BI Technologies
4200 Bonita Place, Fullerton, CA 92835-1053, USA | Ph: +1 714 447 2300
www.ttelectronics.com | sensors@ttelectronics.com