

FEATURES

- Low skew
- Extended 100E VEE range of -4.2V to -5.5V
- Guaranteed skew limits
- Differential design
- VBB output
- Enable input
- Fully compatible with industry standard 10KH, 100K I/O levels
- 75KΩ input pulldown resistors
- Fully compatible with Motorola MC10E/100E111
- Available in 28-pin PLCC package

DESCRIPTION

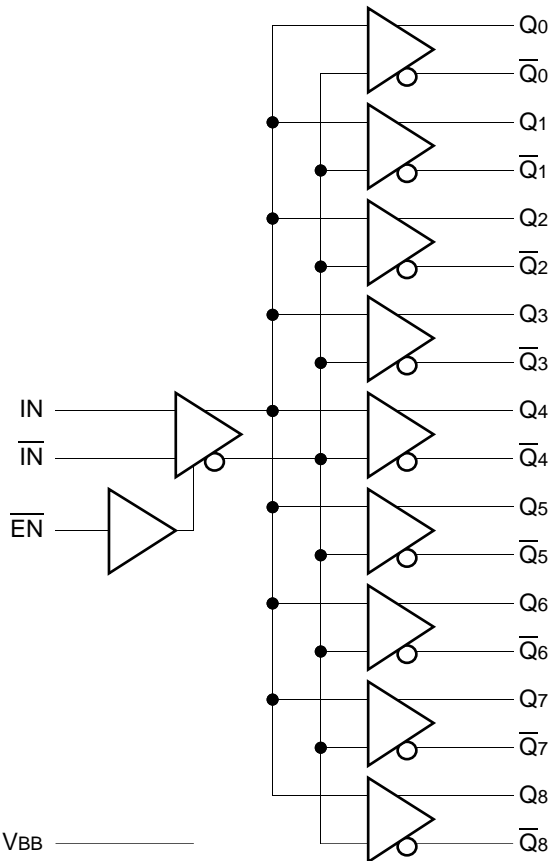
The SY10/100E111 are low skew 1-to-9 differential drivers designed for clock distribution in new, high-performance ECL systems. They accept one differential or single-ended input, with VBB used for single-ended operation. The signal is fanned out to nine identical differential outputs. An enable input is also provided such that a logic HIGH disables the device by forcing all Q outputs LOW and all \bar{Q} outputs HIGH.

The device is specifically designed and produced for low skew. The interconnect scheme and metal layout are carefully optimized for minimal gate-to-gate skew within the device. Wafer characterization and process control ensure consistent distribution of propagation delay from lot to lot. Since the E111 shares a common set of "basic" processing with the other members of the ECLinPS family, wafer characterization at the point of device personalization allows for tighter control of parameters, including propagation delay.

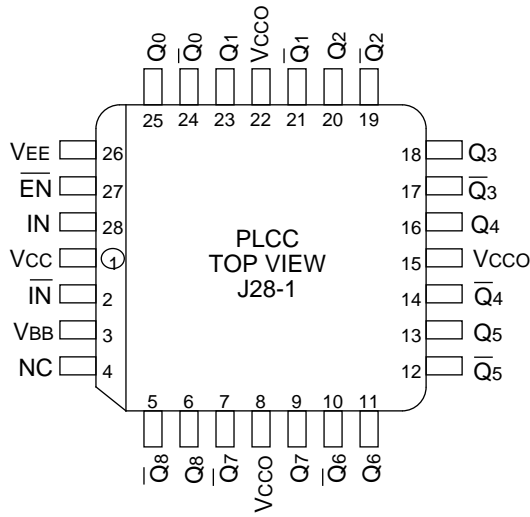
To ensure that the skew specification is met, it is necessary that both sides of the differential output are terminated into 50Ω, even if only one side is being used. In most applications, all nine differential pairs will be used and, therefore, terminated. In the case where fewer than nine pairs are used, it is necessary to terminate at least the output pairs on the same package side (i.e. sharing the same VCCO as the pair(s) being used on that side) in order to maintain minimum skew.

The VBB output is intended for use as a reference voltage for single-ended reception of ECL signals to that device only. When using VBB for this purpose, it is recommended that VBB is decoupled to VCC via a 0.01μF capacitor.

BLOCK DIAGRAM



PIN CONFIGURATION



PIN NAMES

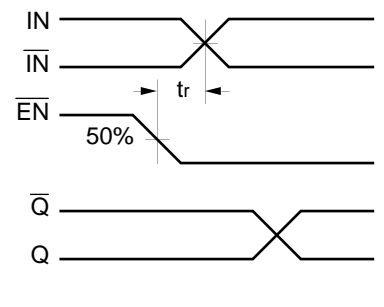
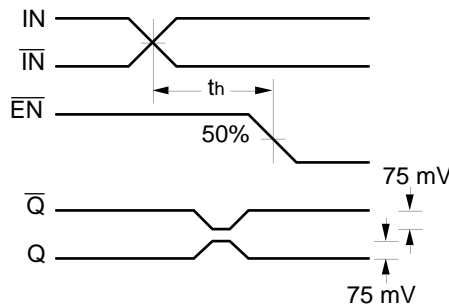
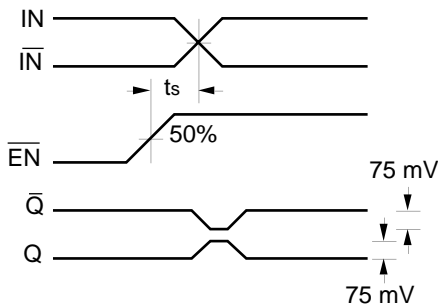
Pin	Function
IN, \overline{IN}	Differential Input Pair
\overline{EN}	Enable Input
Q0, $\overline{Q0}$ — Q8, $\overline{Q8}$	Differential Outputs
VBB	VBB Output
VCCO	Vcc to Output

DC ELECTRICAL CHARACTERISTICS

VEE = VEE (Min.) to VEE (Max.); VCC = VCCO = GND

Symbol	Parameter	TA = 0°C			TA = +25°C			TA = +85°C			Unit	Condition	
		Min.	Typ.	Max.	Min.	Typ.	Max.	Min.	Typ.	Max.			
VBB	Output Reference Voltage	10E	-1.38	—	-1.27	-1.35	—	-1.25	-1.31	—	-1.19	V	—
		100E	-1.38	—	-1.26	-1.38	—	-1.26	-1.38	—	-1.26		
I _{IH}	Input HIGH Current	—	—	150	—	—	150	—	—	150	μA	—	
I _{EE}	Power Supply Current	10E	—	48	60	—	48	60	—	48	60	mA	—
		100E	—	48	60	—	48	60	—	55	69		

TIMING DIAGRAMS



AC ELECTRICAL CHARACTERISTICS

$V_{EE} = V_{EE} (\text{Min.})$ to $V_{EE} (\text{Max.})$; $V_{CC} = V_{CCO} = \text{GND}$

Symbol	Parameter	$T_A = 0^\circ\text{C}$			$T_A = +25^\circ\text{C}$			$T_A = +85^\circ\text{C}$			Unit	Condition ⁽¹⁻⁹⁾
		Min.	Typ.	Max.	Min.	Typ.	Max.	Min.	Typ.	Max.		
t _{PLH} t _{PHL}	Propagation Delay to Output IN (differential) IN (single-ended) Enable Disable	430 330 450 450	— — — —	630 730 850 850	430 330 450 450	— — — —	630 730 850 850	430 330 450 450	— — — —	630 730 850 850	ps	1 2 3 3
t _{SKEW}	Within-Device Skew	—	25	50	—	25	50	—	25	50	ps	4
t _s	Set-up Time, $\overline{\text{EN}}$ to IN	200	0	—	200	0	—	200	0	—	ps	5
t _H	Hold Time, IN to $\overline{\text{EN}}$	0	-200	—	0	-200	—	0	-200	—	ps	6
t _R	Release Time, $\overline{\text{EN}}$ to IN	300	100	—	300	100	—	300	100	—	ps	7
V _{PP}	Minimum Input Swing	250	—	—	250	—	—	250	—	—	mV	8
V _{CMR}	Common Mode Range	-1.6	—	-0.4	-1.6	—	-0.4	-1.6	—	-0.4	V	9
t _r t _f	Rise/Fall Times 20% to 80%	275	375	600	275	375	600	275	375	600	ps	—

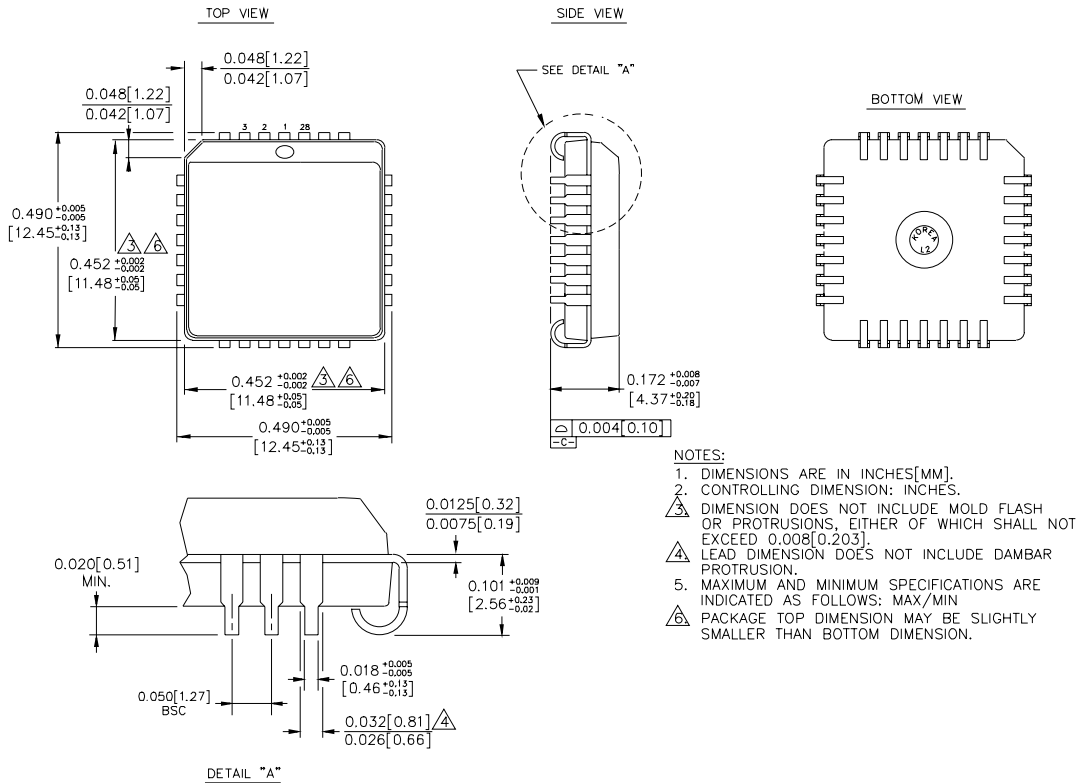
NOTES:

- The differential propagation delay is defined as the delay from the crossing points of the differential input signals to the crossing point of the differential output signals.
- The single-ended propagation delay is defined as the delay from the 50% point of the input signal to the 50% point of the output signal.
- Enable is defined as the propagation delay from the 50% point of a **negative** transition on $\overline{\text{EN}}$ to the 50% point of a **positive** transition on Q (or a negative transition on $\overline{\text{Q}}$). Disable is defined as the propagation delay from the 50% point of a **positive** transition on $\overline{\text{EN}}$ to the 50% point of a **negative** transition on Q (or a positive transition on $\overline{\text{Q}}$).
- The within-device skew is defined as the worst case difference between any two similar delay paths within a single device.
- The set-up time is the minimum time that $\overline{\text{EN}}$ must be asserted prior to the next transition of IN/ $\overline{\text{IN}}$ to prevent an output response greater than $\pm 75\text{mV}$ to that IN/ $\overline{\text{IN}}$ transition (see Figure 1).
- The hold time is the minimum time that $\overline{\text{EN}}$ must remain asserted after a negative going IN or a positive going $\overline{\text{IN}}$ to prevent an output response greater than $\pm 75\text{mV}$ to that IN/ $\overline{\text{IN}}$ transition (see Figure 2).
- The release time is the minimum time that $\overline{\text{EN}}$ must be de-asserted prior to the next IN/ $\overline{\text{IN}}$ transition to ensure an output response that meets the specified IN to Q propagation delay and output transition times (see Figure 3).
- V_{PP} (min.) is defined as the minimum input differential voltage which will cause no increase in the propagation delay. The V_{PP} (min.) is AC limited for the E111, as a differential input as low as 50mV will still produce full ECL levels at the output.
- V_{CMR} is defined as the range within which the V_{IH} level may vary, with the device still meeting the propagation delay specification. The V_{IL} level must be such that the peak-to-peak voltage is less than 1.0V and greater than or equal to V_{PP} (min.).

PRODUCT ORDERING CODE

Ordering Code	Package Type	Operating Range
SY10E111JC	J28-1	Commercial
SY10E111JCTR	J28-1	Commercial
SY100E111JC	J28-1	Commercial
SY100E111JCTR	J28-1	Commercial

28 LEAD PLCC (J28-1)



Rev. 03

MICREL-SYNERGY 3250 SCOTT BOULEVARD SANTA CLARA CA 95054 USA

TEL + 1 (408) 980-9191 FAX + 1 (408) 914-7878 WEB <http://www.micrel.com>

This information is believed to be accurate and reliable, however no responsibility is assumed by Micrel for its use nor for any infringement of patents or other rights of third parties resulting from its use. No license is granted by implication or otherwise under any patent or patent right of Micrel Inc.

© 2000 Micrel Incorporated