

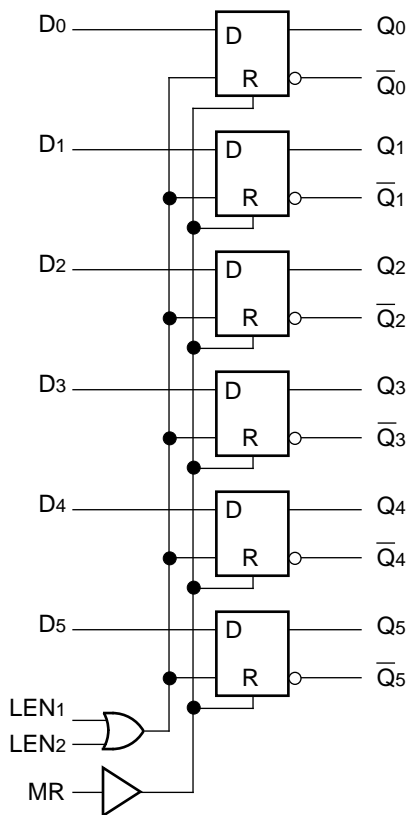
FEATURES

- 700ps max. propagation delay
- Extended 100E VEE range of -4.2V to -5.5V
- Differential outputs
- Fully compatible with industry standard 10KH, 100K ECL levels
- Internal 75KΩ input pulldown resistors
- Fully compatible with Motorola MC10E/100E150
- Available in 28-pin PLCC package

DESCRIPTION

The SY10/100E150 are 6-bit D latches with differential outputs designed for use in new, high-performance ECL systems. When both Latch Enables (LEN₁, LEN₂) are at a logic LOW, the latch is in the transparent mode and input data propagates through to the output. A logic HIGH on either LEN₁ or LEN₂ (or both) latches the input data. The Master Reset (MR) overrides all other signals to set the Q outputs to a logic LOW.

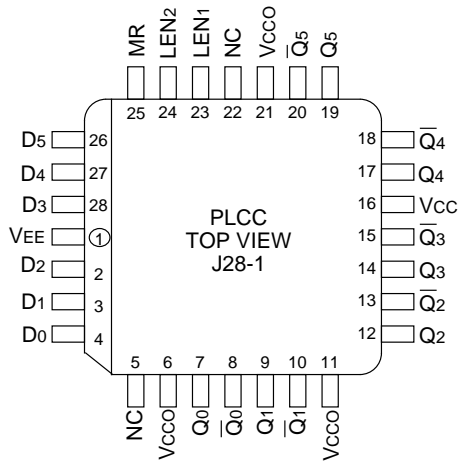
BLOCK DIAGRAM



PIN NAMES

Pin	Function
D ₀ -D ₅	Data Inputs
LEN ₁ , LEN ₂	Latch Enables
MR	Master Reset
Q ₀ -Q ₅	True Outputs
$\overline{Q_0}$ - $\overline{Q_5}$	Inverting Outputs
V _{CC0}	V _{CC} to Output

PACKAGE/ORDERING INFORMATION



28-Pin PLCC (J28-1)

Ordering Information⁽¹⁾

Part Number	Package Type	Operating Range	Package Marking	Lead Finish
SY10E150JC	J28-1	Commercial	SY10E150JC	Sn-Pb
SY10E150JCTR ⁽²⁾	J28-1	Commercial	SY10E150JC	Sn-Pb
SY100E150JC	J28-1	Commercial	SY100E150JC	Sn-Pb
SY100E150JCTR ⁽²⁾	J28-1	Commercial	SY100E150JC	Sn-Pb
SY10E150JZ ⁽³⁾	J28-1	Commercial	SY10E150JZ with Pb-Free bar-line indicator	Matte-Sn
SY10E150JZTR ^(2, 3)	J28-1	Commercial	SY10E150JZ with Pb-Free bar-line indicator	Matte-Sn
SY100E150JZ ⁽³⁾	J28-1	Commercial	SY100E150JZ with Pb-Free bar-line indicator	Matte-Sn
SY100E150JZTR ^(2, 3)	J28-1	Commercial	SY100E150JZ with Pb-Free bar-line indicator	Matte-Sn

Notes:

1. Contact factory for die availability. Dice are guaranteed at T_A = 25°C, DC Electricals only.
2. Tape and Reel.
3. Pb-Free package is recommended for new designs.

TRUTH TABLE⁽¹⁾

(Each Latch)

INPUTS			MR	OUTPUTS		Operating Mode
D _n	LEN ₁	LEN ₂		Q _n	\bar{Q}_n	
H	L	L	L	H	L	Latch
L	L	L	L	L	H	
X	X	H	L	Latched ⁽²⁾	Latched ⁽²⁾	
X	H	X	L	Latched ⁽²⁾	Latched ⁽²⁾	
X	X	X	H	L	H	Asynchronous

Notes:

- H = HIGH state
L = LOW state
X = Don't care
- Retains Data that is present before the LEN positive transition.

DC ELECTRICAL CHARACTERISTICS

V_{EE} = V_{EE} (Min.) to V_{EE} (Max.); V_{CC} = V_{CC0} = GND

Symbol	Parameter	T _A = 0°C			T _A = +25°C			T _A = +85°C			Unit	Condition
		Min.	Typ.	Max.	Min.	Typ.	Max.	Min.	Typ.	Max.		
I _{IH}	Input HIGH Current D LEN MR	—	—	200	—	—	200	—	—	200	μA	—
I _{EE}	Power Supply Current 10E 100E	—	52	62	—	52	62	—	52	62	mA	—
		—	52	62	—	52	62	—	60	72		

AC ELECTRICAL CHARACTERISTICS

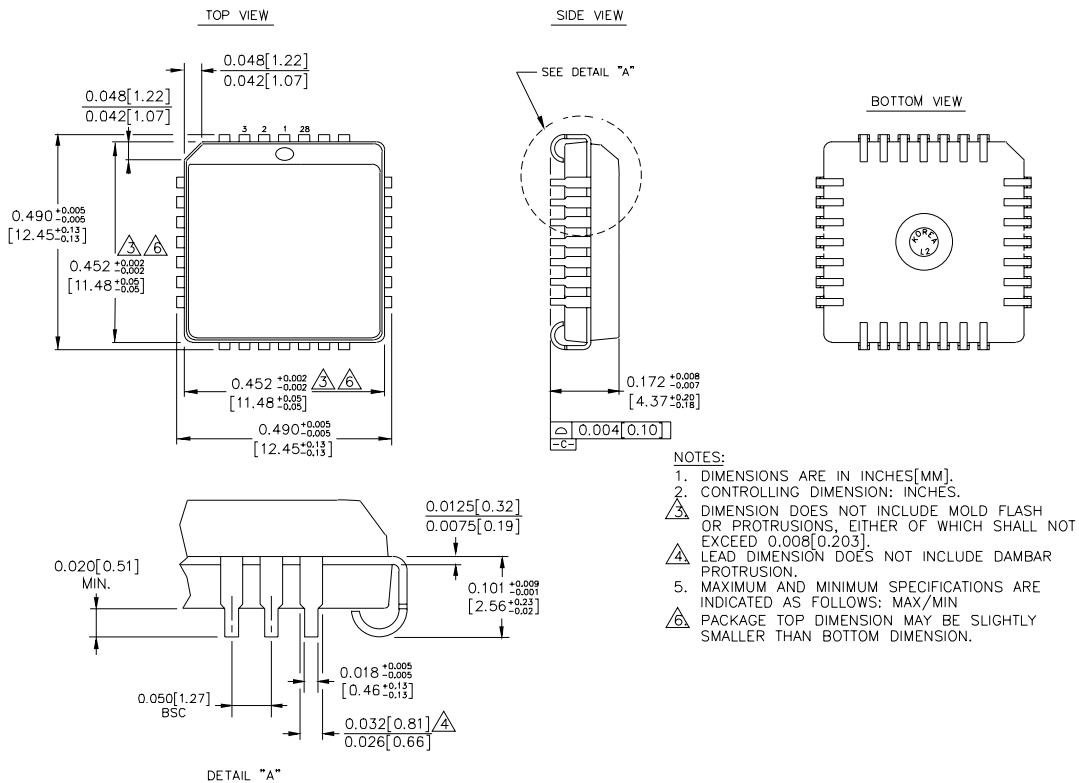
V_{EE} = V_{EE} (Min.) to V_{EE} (Max.); V_{CC} = V_{CC0} = GND

Symbol	Parameter	T _A = 0°C			T _A = +25°C			T _A = +85°C			Unit	Condition
		Min.	Typ.	Max.	Min.	Typ.	Max.	Min.	Typ.	Max.		
t _{PD}	Propagation Delay to Output D LEN MR	250	375	550	250	375	550	250	375	550	ps	—
t _S	Set-up Time, D	200	50	—	200	50	—	200	50	—	ps	—
t _H	Hold Time, D	200	-50	—	200	-50	—	200	-50	—	ps	—
t _{RR}	Reset Recovery Time	750	650	—	750	650	—	750	650	—	ps	—
t _{PW}	Minimum Pulse Width, MR	400	—	—	400	—	—	400	—	—	ps	—
t _{skew}	Within-Device Skew	—	50	—	—	50	—	—	50	—	ps	1
t _r t _f	Rise/Fall Time 20% to 80%	300	450	650	300	450	650	300	450	650	ps	—

Note:

- Within-device skew is defined as identical transitions on similar paths through a device.

28-PIN PLCC (J28-1)



Rev. 03

MICREL, INC. 2180 FORTUNE DRIVE SAN JOSE, CA 95131 USA

TEL + 1 (408) 944-0800 FAX + 1 (408) 474-1000 WEB <http://www.micrel.com>

The information furnished by Micrel in this data sheet is believed to be accurate and reliable. However, no responsibility is assumed by Micrel for its use. Micrel reserves the right to change circuitry and specifications at any time without notification to the customer.

Micrel Products are not designed or authorized for use as components in life support appliances, devices or systems where malfunction of a product can reasonably be expected to result in personal injury. Life support devices or systems are devices or systems that (a) are intended for surgical implant into the body or (b) support or sustain life, and whose failure to perform can be reasonably expected to result in a significant injury to the user. A Purchaser's use or sale of Micrel Products for use in life support appliances, devices or systems is at Purchaser's own risk and Purchaser agrees to fully indemnify Micrel for any damages resulting from such use or sale.

© 2006 Micrel, Incorporated.