

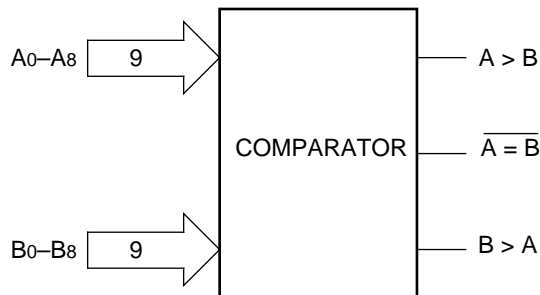
**FEATURES**

- 1100ps max. Propagation Delay  $\overline{A = B}$
- Extended 100E VEE range of -4.2V to -5.5V
- Fully compatible with industry standard 10KH, 100K ECL levels
- Internal 75KΩ input pulldown resistors
- Fully compatible with Motorola MC10E/100E166
- Available in 28-pin PLCC package

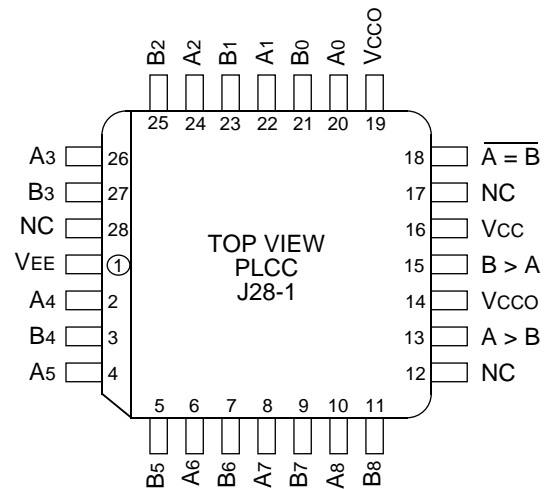
**DESCRIPTION**

The SY10/100E166 are 9-bit magnitude comparators designed for use in new, high-performance ECL systems. The E166 compares the binary value of two 9-bit words and indicates whether one word is greater than or equal to the other.

**BLOCK DIAGRAM**



**PIN CONFIGURATION**



**PIN NAMES**

Pin	Function
A0-A8	A Data Inputs
B0-B8	B Data Inputs
A > B	A Greater than B Output
B > A	B Greater than A Output
$\overline{A = B}$	A Equal to B Output (active-LOW)
VCCO	VCC to Output

**DC ELECTRICAL CHARACTERISTICS**V<sub>EE</sub> = V<sub>EE</sub> (Min.) to V<sub>EE</sub> (Max.); V<sub>CC</sub> = V<sub>CCO</sub> = GND

Symbol	Parameter	T <sub>A</sub> = 0°C			T <sub>A</sub> = +25°C			T <sub>A</sub> = +85°C			Unit	Condition
		Min.	Typ.	Max.	Min.	Typ.	Max.	Min.	Typ.	Max.		
I <sub>IH</sub>	Input HIGH Current	—	—	150	—	—	150	—	—	150	μA	—
I <sub>EE</sub>	Power Supply Current	—	—	—	—	—	—	—	—	—	mA	—
	10E	—	113	136	—	113	136	—	113	136		
	100E	—	113	136	—	113	136	—	130	156		

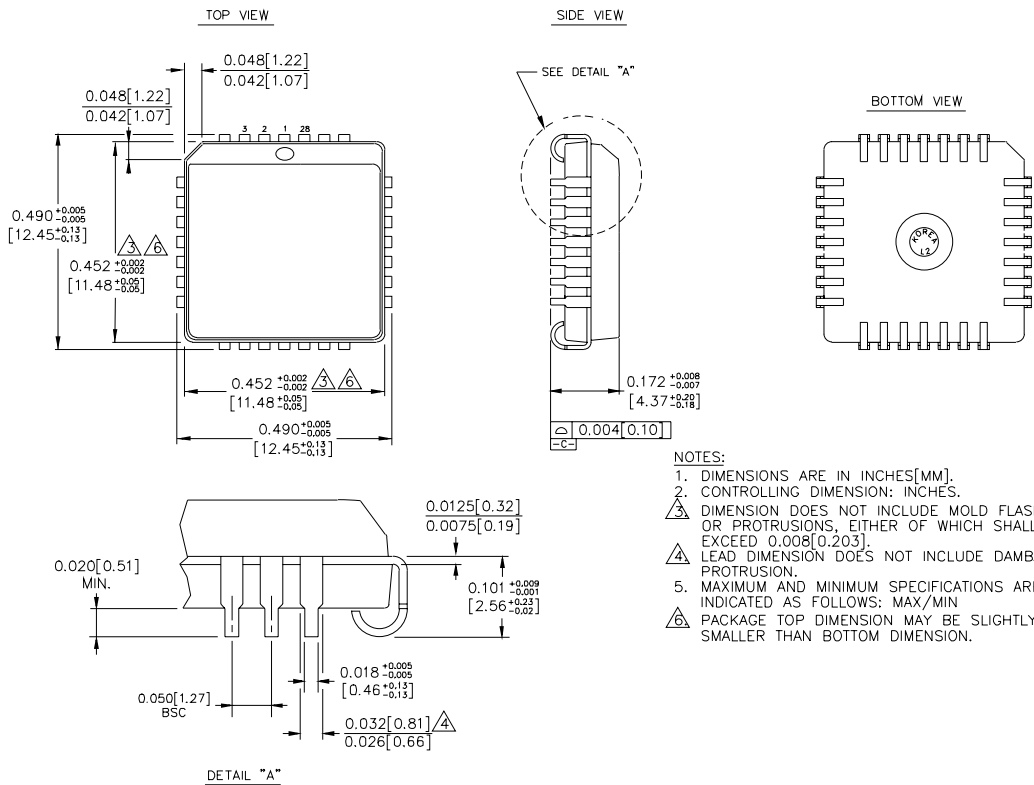
**AC ELECTRICAL CHARACTERISTICS**V<sub>EE</sub> = V<sub>EE</sub> (Min.) to V<sub>EE</sub> (Max.); V<sub>CC</sub> = V<sub>CCO</sub> = GND

Symbol	Parameter	T <sub>A</sub> = 0°C			T <sub>A</sub> = +25°C			T <sub>A</sub> = +85°C			Unit	Condition
		Min.	Typ.	Max.	Min.	Typ.	Max.	Min.	Typ.	Max.		
t <sub>PLH</sub> t <sub>PHL</sub>	Propagation Delay to Output D to A = B D to A < B, A > B	500 500	750 850	1100 1400	500 500	750 850	1100 1400	500 500	750 850	1100 1400	ps	—
t <sub>r</sub> t <sub>f</sub>	Rise/Fall Time 20% to 80%	300	450	800	300	450	800	300	450	800		

**PRODUCT ORDERING CODE**

Ordering Code	Package Type	Operating Range
SY10E166JC	J28-1	Commercial
SY10E166JCTR	J28-1	Commercial
SY100E166JC	J28-1	Commercial
SY100E166JCTR	J28-1	Commercial

**28 LEAD PLCC (J28-1)**



- NOTES:**
1. DIMENSIONS ARE IN INCHES[MM].
  2. CONTROLLING DIMENSION: INCHES.
  3. DIMENSION DOES NOT INCLUDE MOLD FLASH OR PROTRUSIONS, EITHER OF WHICH SHALL NOT EXCEED 0.008[0.203].
  4. LEAD DIMENSION DOES NOT INCLUDE DAMBAR PROTRUSION.
  5. MAXIMUM AND MINIMUM SPECIFICATIONS ARE INDICATED AS FOLLOWS: MAX/MIN
  6. PACKAGE TOP DIMENSION MAY BE SLIGHTLY SMALLER THAN BOTTOM DIMENSION.

Rev. 03

---

**MICREL-SYNERGY 3250 SCOTT BOULEVARD SANTA CLARA CA 95054 USA**

TEL + 1 (408) 980-9191 FAX + 1 (408) 914-7878 WEB <http://www.micrel.com>

This information is believed to be accurate and reliable, however no responsibility is assumed by Micrel for its use nor for any infringement of patents or other rights of third parties resulting from its use. No license is granted by implication or otherwise under any patent or patent right of Micrel Inc.

© 2000 Micrel Incorporated

---