

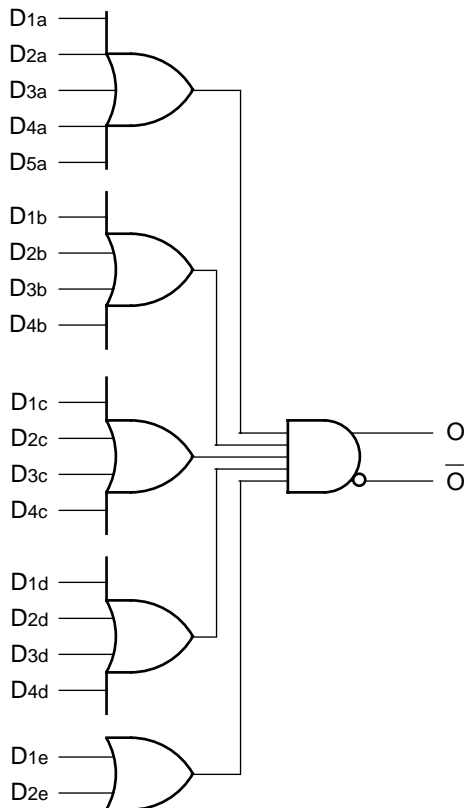
**FEATURES**

- Max. propagation delay of 800ps
- IEE min. of -55mA
- Extended supply voltage option:  
VEE = -4.2V to -5.5V
- Voltage and temperature compensation for improved noise immunity
- Internal 75KΩ input pull-down resistors
- 70% faster than Fairchild
- 40% lower power than Fairchild
- Function and pinout compatible with Fairchild F100K
- Available in 24-pin CERPACK and 28-pin PLCC packages

**DESCRIPTION**

The SY100S318 is an ultra-fast 5-wide 5, 4, 4, 4, 2 OR/AND gate with both true and complementary outputs, designed for use in high-performance ECL systems. The inputs on this device have 75KΩ pull-down resistors.

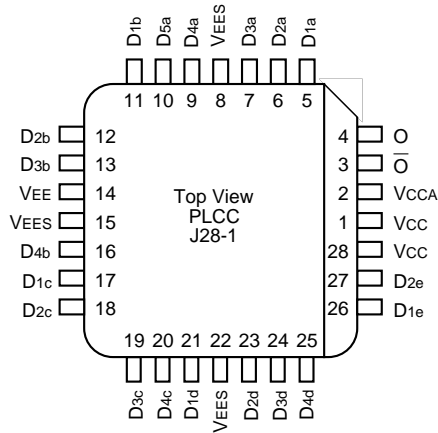
**BLOCK DIAGRAM**



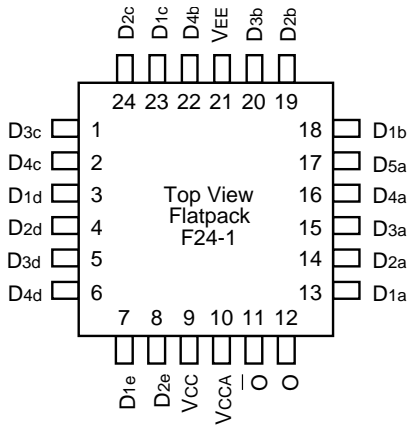
**PIN NAMES**

Pin	Function
D <sub>na</sub> – D <sub>ne</sub>	Data Inputs (n = 1...5)
O – $\bar{O}$	Data Outputs
VEES	VEE Substrate
VCCA	VCCO for ECL Outputs

**PACKAGE/ORDERING INFORMATION**



**28-Pin PLCC (J28-1)**



**24-Pin Cerpack (F24-1)**

**Ordering Information**

Part Number	Package Type	Operating Range	Package Marking	Lead Finish
SY100S318FC	F24-1	Commercial	SY100S318FC	Sn-Pb
SY100S318FCTR <sup>(1)</sup>	F24-1	Commercial	SY100S318FC	Sn-Pb
SY100S318JC	J28-1	Commercial	SY100S318JC	Sn-Pb
SY100S318JCTR <sup>(1)</sup>	J28-1	Commercial	SY100S318JC	Sn-Pb
SY100S318JZ <sup>(2)</sup>	J28-1	Commercial	SY100S318JZ with Pb-Free bar-line indicator	Matte-Sn
SY100S318JZTR <sup>(1, 2)</sup>	J28-1	Commercial	SY100S318JZ with Pb-Free bar-line indicator	Matte-Sn

**Notes:**

1. Tape and Reel.
2. Pb-Free package is recommended for new designs.

**LOGIC EQUATION**

$$O = (D1a + D2a + D3a + D4a + D5a) \\
(D1b + D2b + D3b + D4b) \\
(D1c + D2c + D3c + D4c) \\
(D1d + D2d + D3d + D4d) \\
(D1e + D2e)$$

**DC ELECTRICAL CHARACTERISTICS**

$V_{EE} = -4.2V$  to  $-5.5V$  unless otherwise specified,  $V_{CC} = V_{CCA} = GND$

Symbol	Parameter	Min.	Typ.	Max.	Unit	Condition
I <sub>IH</sub>	Input HIGH Current, All Inputs	—	—	200	μA	V <sub>IN</sub> = V <sub>IH</sub> (Max.)
I <sub>EE</sub>	Power Supply Current	-55	-41	-25	mA	Inputs Open

**AC ELECTRICAL CHARACTERISTICS****CERPACK**

$V_{EE} = -4.2V$  to  $-5.5V$  unless otherwise specified,  $V_{CC} = V_{CCA} = GND$

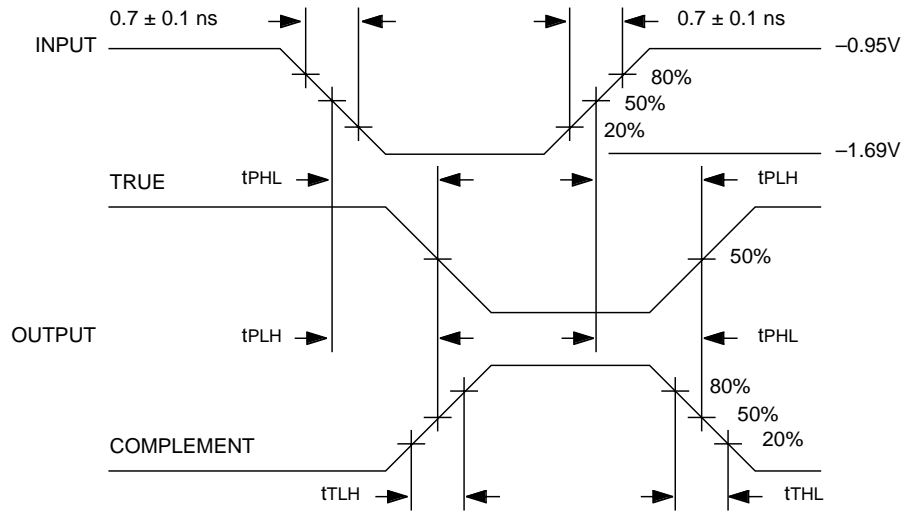
Symbol	Parameter	T <sub>A</sub> = 0°C		T <sub>A</sub> = +25°C		T <sub>A</sub> = +85°C		Unit	Condition
		Min.	Max.	Min.	Max.	Min.	Max.		
t <sub>PLH</sub> t <sub>PHL</sub>	Propagation Delay Data to Output	300	900	300	900	300	900	ps	
t <sub>TLH</sub> t <sub>THL</sub>	Transition Time 20% to 80%, 80% to 20%	200	900	200	900	200	900	ps	

**PLCC**

$V_{EE} = -4.2V$  to  $-5.5V$  unless otherwise specified,  $V_{CC} = V_{CCA} = GND$

Symbol	Parameter	T <sub>A</sub> = 0°C		T <sub>A</sub> = +25°C		T <sub>A</sub> = +85°C		Unit	Condition
		Min.	Max.	Min.	Max.	Min.	Max.		
t <sub>PLH</sub> t <sub>PHL</sub>	Propagation Delay Data to Output	300	800	300	800	300	800	ps	
t <sub>TLH</sub> t <sub>THL</sub>	Transition Time 20% to 80%, 80% to 20%	200	900	200	900	200	900	ps	

**TIMING DIAGRAM**

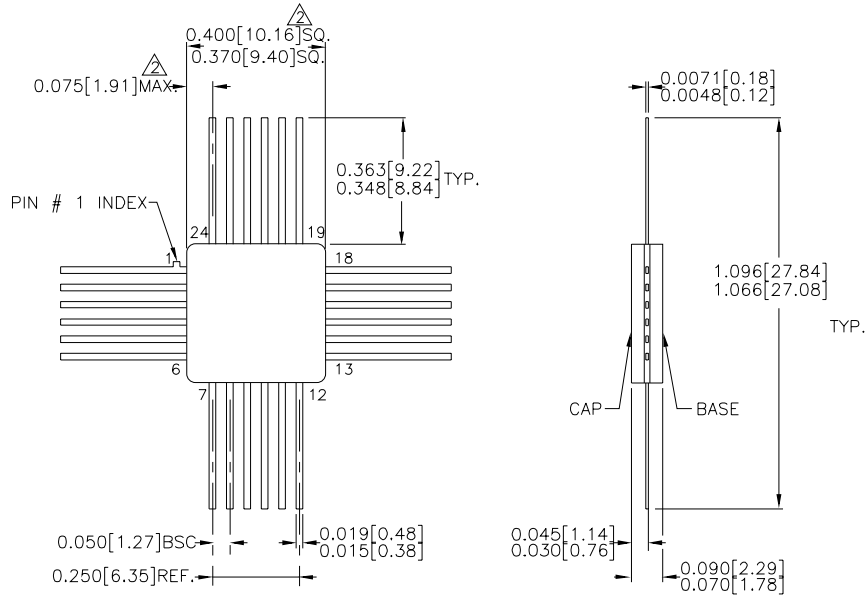


**Propagation Delay and Transition Times**

**Note:**

$V_{EE} = -4.2V$  to  $-5.5V$  unless otherwise specified,  $V_{CC} = V_{CCA} = GND$

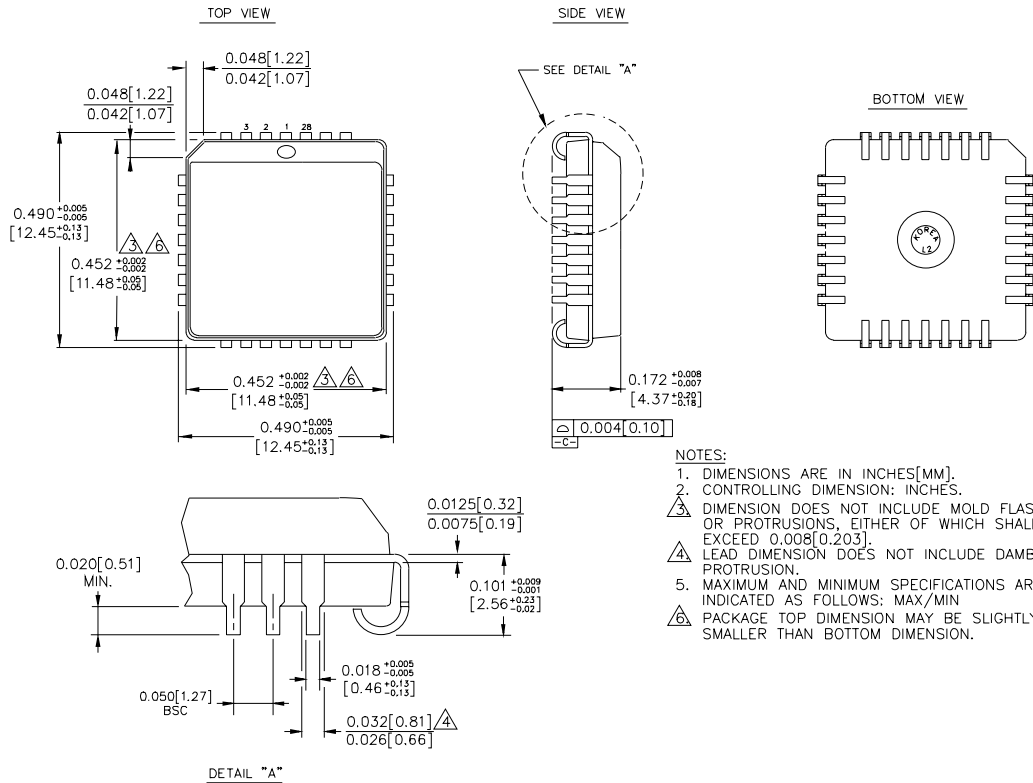
**24-PIN CERPACK (F24-1)**



- NOTES:**
1. DIMENSIONS ARE IN INCHES[MM].
  2. THIS DIMENSION INCLUDES GLASS PROTRUSION AND CAP TO BASE ALIGNMENT TOLERANCES.
  3. DIMENSIONS SHOWN ARE MAX/MIN, WHERE NOTED.

Rev. 03

**28-PIN PLCC (J28-1)**



Rev. 03

**MICREL, INC. 2180 FORTUNE DRIVE SAN JOSE, CA 95131 USA**

TEL + 1 (408) 944-0800 FAX + 1 (408) 474-1000 WEB <http://www.micrel.com>

The information furnished by Micrel in this data sheet is believed to be accurate and reliable. However, no responsibility is assumed by Micrel for its use. Micrel reserves the right to change circuitry and specifications at any time without notification to the customer.

Micrel Products are not designed or authorized for use as components in life support appliances, devices or systems where malfunction of a product can reasonably be expected to result in personal injury. Life support devices or systems are devices or systems that (a) are intended for surgical implant into the body or (b) support or sustain life, and whose failure to perform can be reasonably expected to result in a significant injury to the user. A Purchaser's use or sale of Micrel Products for use in life support appliances, devices or systems is at Purchaser's own risk and Purchaser agrees to fully indemnify

Micrel for any damages resulting from such use or sale.

© 2006 Micrel, Incorporated.