

FEATURES

- Single 3.3V or 5V power supply
- Up to 155Mbps operation
- Modulation current to 30mA
- PECL output enable
- Differential PECL inputs
- Available in a tiny 10-pin (3mm) MSOP

APPLICATIONS

- 155Mbps SONET

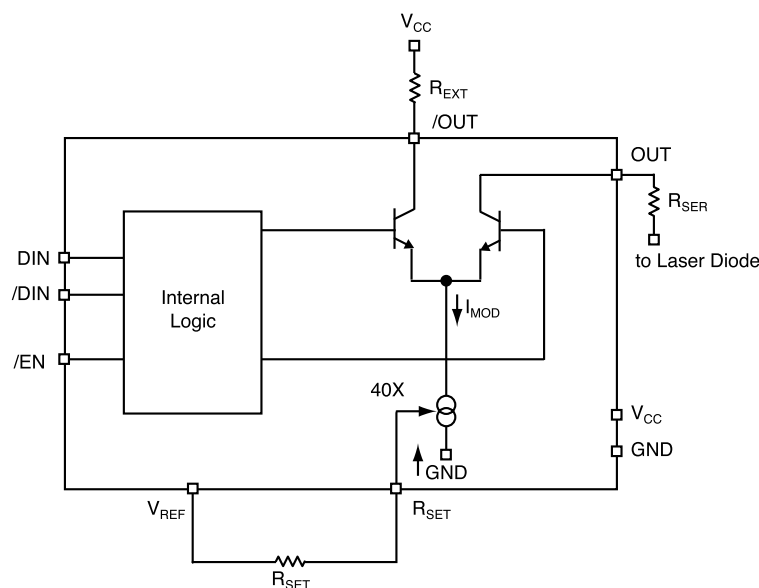
DESCRIPTION

The SY88822V is a high speed current switch for driving a semiconductor laser diode in optical transmission applications. The modulation current (I_{OUT}) is controlled by the current (I_{RSET}) through the external resistor R_{SET} . The output OUT is HIGH and no current flows through OUT when output enable is HIGH.

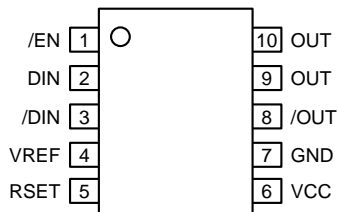
The device incorporates complementary open collector outputs with a 30mA maximum current driving capability. The external resistor R_{EXT} must be placed between /OUT and V_{CC} to dissipate the worst case power. R_{SER} is recommended to compensate for laser diode matching issues. Pin 9 and pin 10 should be connected to achieve better performance.

The SY88822V utilizes the high performance bipolar ASSET™ technology.

FUNCTIONAL BLOCK DIAGRAM



PACKAGE/ORDERING INFORMATION



**10-Pin MSOP
(K10-1)**

Ordering Information

Part Number	Package Type	Operating Range	Package Marking
SY88822VKC	K10-1	Commercial	822V
SY88822VKCTR*	K10-1	Commercial	822V
SY88822VKI	K10-1	Industrial	822V
SY88822VKITR*	K10-1	Industrial	822V

*Tape and Reel

PIN DESCRIPTION

Pin Number	Pin Name	Pin Function
1	/EN	100k PECL compatible input w/ 75kΩ pulldown resistor. Modulation current goes to zero when deasserted high.
2, 3	DIN, /DIN	Differential 100k PECL compatible input w/ 75kΩ pulldown resistors.
4	VREF	Voltage reference for use with R _{SET} .
5	RSET	An external resistor from here to V _{REF} sets the reference current for I _{OUT} .
6	VCC	Positive power supply.
7	GND	Device ground.
8, 9, 10	/OUT, OUT	Differential open collector current outputs.

TRUTH TABLE (Note 1)

D	/D	/EN	OUT (Note 2)	/OUT
L	H	L	H	L
H	L	L	L	H
X	X	H	H	L

Note 1. L = LOW, H = HIGH, X = don't care.

Note 2. H = I_{OUT} = 0mA.

Absolute Maximum Ratings^(Note 1)

Power Supply Voltage (V_{CC})	0V to +7.0V
Input Voltage (V_{IN})	0V to V_{CC}
Output Current (I_{OUT})	30mA
Power Dissipation (P_D)	250mW
Storage Temperature Range (T_S)	-55°C to +125°C

Operating Ratings^(Notes 2, 3, 4)

Supply Voltage (V_{IN})	+3.0V to +3.6V or +4.5V to +5.5V
Ambient Temperature (T_A), Note 5	-40°C to +85°C
Junction Temperature (T_J), Note 5	-40°C to 100°C
Resistor to Dissipate Power (R_{EXT})	10Ω to 50Ω
Laser Diode Serial Resistor (R_{SER})	0Ω to 50Ω
Resistor to Adjust Current (R_{SET}), Note 6	700Ω to 20,000Ω
Package Thermal Resistance	
MSOP	
(θ_{JA}) Still-Air	113°C/W
(ψ_{JB}) Still-Air	74°C/W

- Note 1.** Permanent device damage may occur if ABSOLUTE MAXIMUM RATINGS are exceeded. This is a stress rating only and functional operation is not implied at conditions other than those detailed in the operational sections of this data sheet. Exposure to ABSOLUTE MAXIMUM RATING conditions for extended periods may affect device reliability.
- Note 2.** The data sheet limits are not guaranteed if the device is operated beyond the operating ratings.
- Note 3.** The device is guaranteed to meet the DC specifications, shown in the table above, after thermal equilibrium has been established. The device is tested in a socket such that transverse airflow of ≥ 500 lfpm is maintained.
- Note 4.** The voltage drop across R_{EXT} and R_{SER} plus Laser Diode must not be greater than 1.4V.
- Note 5.** Commercial devices are guaranteed from 0°C to +85°C ambient temperature.
- Note 6.** R_{SET} minimum 430Ω.

DC ELECTRICAL CHARACTERISTICS^(Note 1)

GND = 0V; $V_{CC} = 3.3V \pm 10\%$ or $V_{CC} = 5.0V \pm 10\%$; $T_A = -40^\circ\text{C}$ to $+85^\circ\text{C}$

Symbol	Parameter	Condition	Min	Typ	Max	Units
V_{IH}	Input HIGH Voltage (D_{IN} , $/D_{IN}$, $/EN$)		$V_{CC}-1.165$		$V_{CC}-0.880$	V
V_{IL}	Input LOW Voltage (D_{IN} , $/D_{IN}$, $/EN$)		$V_{CC}-1.810$		$V_{CC}-1.475$	V
V_{REF}	Reference Voltage		1.7	2.0	2.3	V
I_{IL}	Input LOW Current (D_{IN} , $/D_{IN}$, $/EN$)	$V_I = V_{IL(min)}$	0.5			μA
I_{IH}	Input HIGH Current (D_{IN} , $/D_{IN}$, $/EN$)				100	μA
I_{CC}	Supply Current	$I_{MOD} = 25\text{mA}$			25	mA
I_{OUT_OFF}	Output LOW Current ($/EN = \text{HIGH}$)			450	1000	μA
I_{OUT}	Modulation Current				30	mA
A_{RSET}	I_{OUT}/I_{RSET}		30	38	44	—
V_{OUT}	Voltage at OUT, $/OUT$		$V_{CC}-1.4$		V_{CC}	V
C_{OUT}	Capacitance on OUT, $/OUT$			2.5		pF

Note 1. Specification for packaged product only.

AC ELECTRICAL CHARACTERISTICS(Note 1, 2)

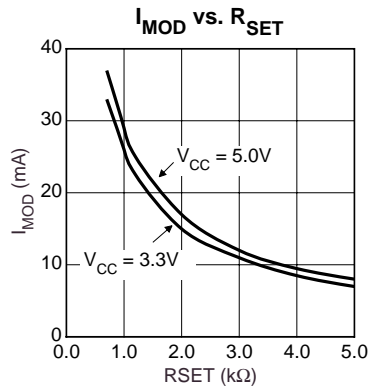
$I_{MOD} = 10\text{mA}$; $GND = 0\text{V}$; $V_{CC} = 3.3\text{V} \pm 10\%$ or $V_{CC} = 5.0\text{V} \pm 10\%$; $T_A = -40^\circ\text{C}$ to $+85^\circ\text{C}$

Symbol	Parameter	Condition	Min	Typ	Max	Units
t_{PHL} , t_{PLH} D	Propagation Delay D _{IN} – OUT	$I_{OUT} = 10\text{mA}$			1000	ps
t_{PHL} , t_{PLH} EN	Propagation Delay /EN – OUT	$I_{OUT} = 10\text{mA}$			1000	ps
t_r , t_f	Rise/Fall Time (20% to 80%)				1000	ps
I_{OR}	Output Current Ringing	$I_{OUT} = 5$ to 30mA			10	%

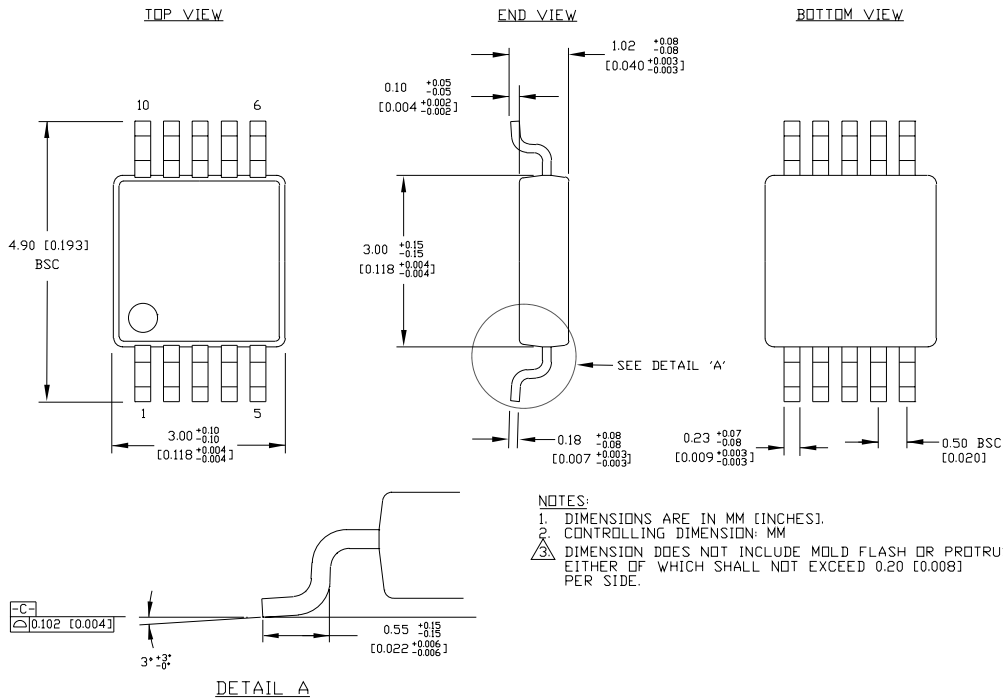
Note 1. Specification for packaged product only.

Note 1. $R_{EXT} = R_{SER} = 25\Omega \pm 1\%$; R_{SER} connected directly to V_{CC} .

TYPICAL OPERATING CHARACTERISTICS



10 LEAD MSOP (K10-1)



Rev. 00

MICREL, INC. 1849 FORTUNE DRIVE SAN JOSE, CA 95131 USA

TEL + 1 (408) 944-0800 FAX + 1 (408) 944-0970 WEB <http://www.micrel.com>

The information furnished by Micrel in this datasheet is believed to be accurate and reliable. However, no responsibility is assumed by Micrel for its use. Micrel reserves the right to change circuitry and specifications at any time without notification to the customer.

Micrel Products are not designed or authorized for use as components in life support appliances, devices or systems where malfunction of a product can reasonably be expected to result in personal injury. Life support devices or systems are devices or systems that (a) are intended for surgical implant into the body or (b) support or sustain life, and whose failure to perform can be reasonably expected to result in a significant injury to the user. A Purchaser's use or sale of Micrel Products for use in life support appliances, devices or systems is at Purchaser's own risk and Purchaser agrees to fully indemnify Micrel for any damages resulting from such use or sale.