


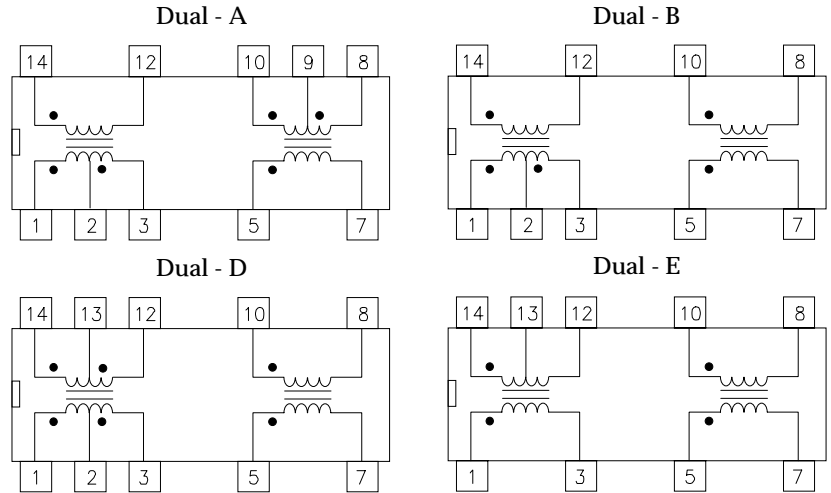
Dual T1/CEPT Transformers

For T1/CEPT Telecom Applications

Designed to meet CCITT
and FCC Requirements

1500 VRMS Minimum Isolation

UL 1459 Recognized 



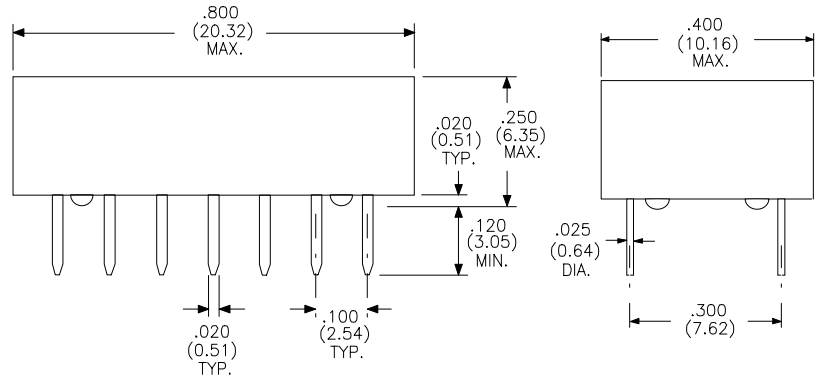
Electrical Specifications ^{1,2} at 25°C

Thru-hole Part Number	SMD Part Number	Turns Ratio ($\pm 5\%$)	OCL min. (mH)	PRI-SEC C_{wv} max. (pF)	Leakage L_L max. (μ H)	Pri. DCR max. (Ω)	Sec. DCR max. (Ω)	Schem. Style	Primary Pins
T-10148	T-11048	1:2CT & 1:2CT	1.2	30	.5	.7	1	Dual-A	14-12, 5-7
T-10149	T-11049	1:2CT & 1:1.36	1.2	35	.5 & .8	.8	1.8	Dual-B	14-12, 5-7
T-10150	T-11050	1:2CT & 2CT:1	2.0	45	.6 & .6	.7 & 1	1 & .7	Dual-C	14-12, 5-7
T-10151	T-11051	1CT:2CT & 1:1	1.2	30	.55 & .5	.7 & .7	1.1 & .7	Dual-D	1-3, 10-8
T-10152	T-11052	1.58:2CT & 1.58:1	0.8	30	.5	.5 & .5	.5 & .3	Dual-E	1-3, 5-7
T-10153	T-11053	2:2CT & 2:1	0.8	30	.6	.5 & .5	.5 & .2	Dual-E	1-3, 5-7
T-10154	T-11054	2.62:2CT & 2.62:1	1.2	30	.8	.6 & .6	.5 & .3	Dual-E	1-3, 5-7
T-10155	T-11055	1CT:1 & 1:1	1.2	30	.5 & .8	.7 & .7	.7 & .7	Dual-E	5-7, 14-12
T-10156	T-11056	1:1CT & 2.53CT:1	.06 & 2.0	23 & 25	.75 & 1.5	.6 & .7	.6 & 1	Dual-C	10-8, 1-3
T-10157	T-11057	1:1CT & 2CT:1	.06 & 3.2	25 & 30	.75 & .8	.6 & .7	.6 & .7	Dual-C	10-8, 1-3

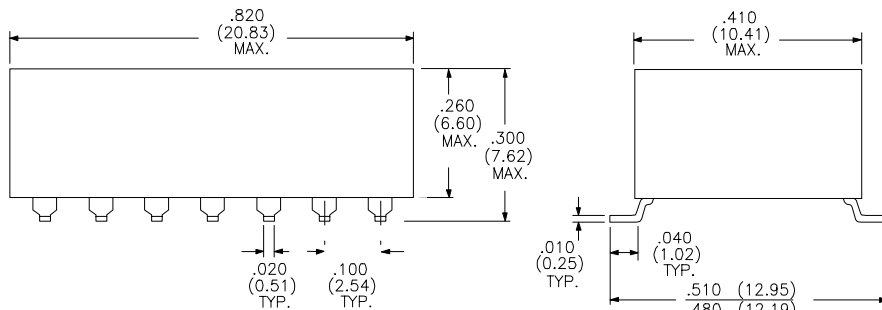
- ET-Product of 10 V- μ sec min.
- OCL Measured across Primary @ 100 kHz & 20mV

Physical Dimensions
inches
(mm)

Thru-hole
Package for
T-101XX



SMD
Package for
T-110XX



Specifications subject to change without notice.

For other values & Custom Designs, contact factory.

T1-97-7/97