

Thyristors

T300



Technical Data

Typical applications : D.C. Motor control, Controlled rectifiers, A.C. Controllers

Type No.	V _{RRM} (Volts)	V _{RSM} (Volts)
T300/04	400	500
T300/06	600	700
T300/08	800	900
T300/10	1000	1100
T300/12	1200	1300
T300/14	1400	1500
T300/16	1600	1700

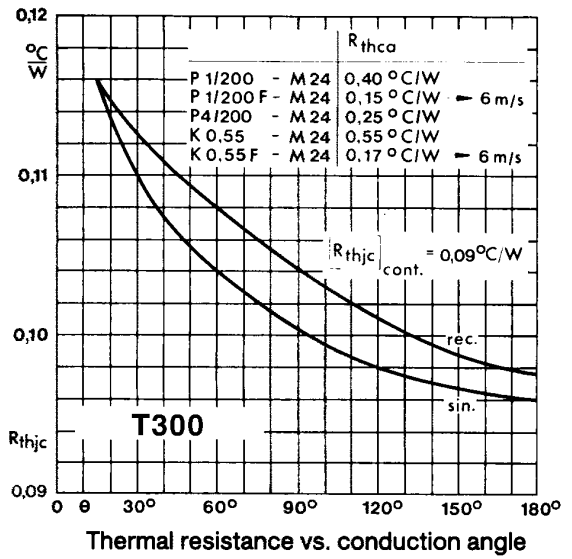
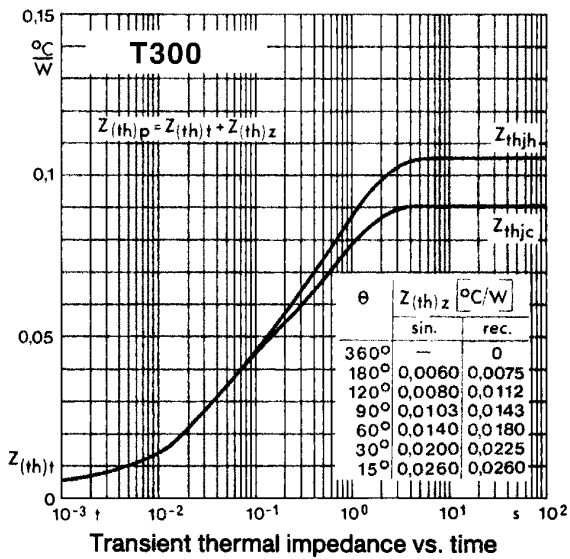
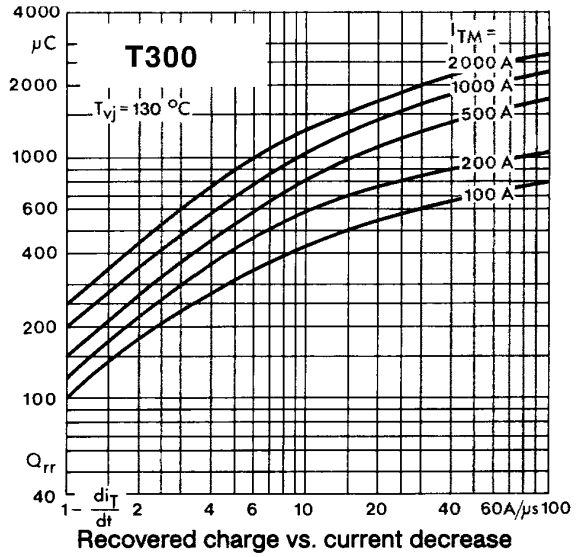
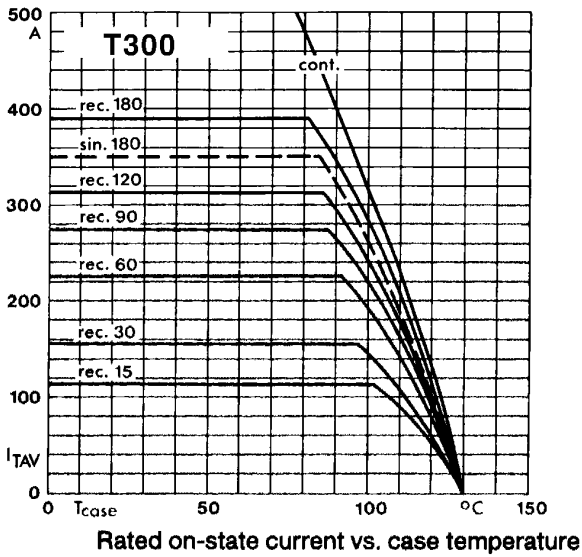
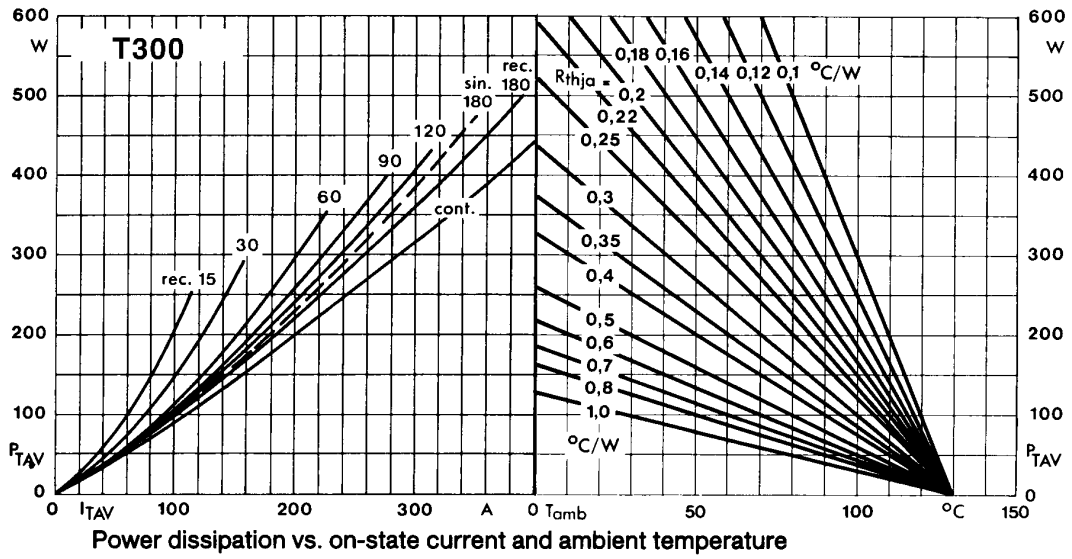
Features

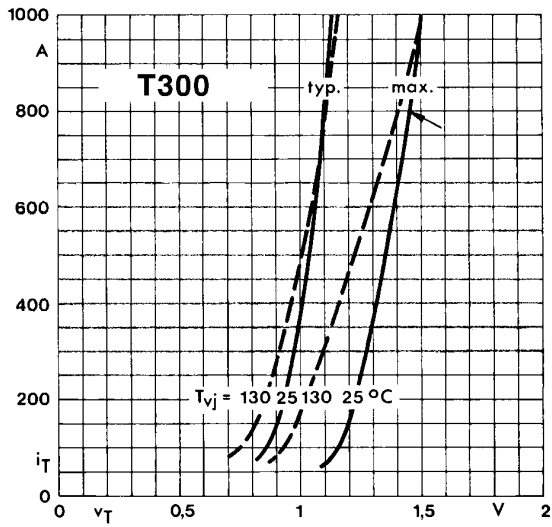
- Hermetic glass to metal seal
- Voltage grade upto 1600V
- Weight 450 gm (Approx)

Symbol	Conditions	Values
I _{T(AV)}	Sin 180 ; T _{case} = 93 °C	300 A
I _{TSM}	T _{vj} = 25 °C T _{vj} = 130 °C	11000 A 10000 A
I ² t	T _{vj} = 25 °C T _{vj} = 130 °C	600000 A ² s 500000 A ² s
I _{GT} V _{GT} dv/dt [di/dt] _{CR}	T _{vj} = 25 °C; V _{DRM} = 5V T _{vj} = 25 °C; V _{DRM} = 5V T _{vj} = 125 °C ; Voltage = 67 % V _{DRM}	200 mA 3 V *200 V/μs 100 A/μs
V _T V ₀ R ₀ I _{RRM} /I _{DRM}	T _{vj} = 25 °C ; I _T = 800A T _{vj} = 130 °C T _{vj} = 130 °C T _{vj} = 130 °C	1.45 V max 0.90 V 0.50 m 50 mA
I _H I _L		Typ 150 mA; max. 250 mA Typ 300 mA; max. 600 mA
R _{th(j-c)} R _{th(c-h)} T _{vj} T _{stg}	Cont. Sin 180 / rec. 120	0.09 °C/W 0.096 / 0.101 °C/W 0.015 °C/W + 130 °C -40.....+ 150 °C
Mounting torque		50 Nm / 12.5 Nm per Bolt
Case outline		Z / W

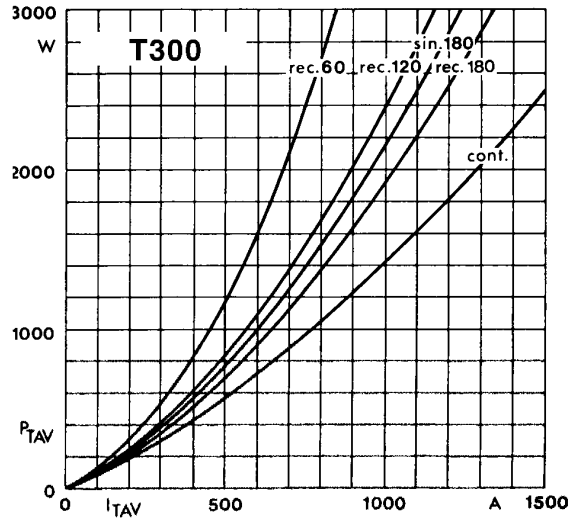
* Higher dv/dt selection available on request



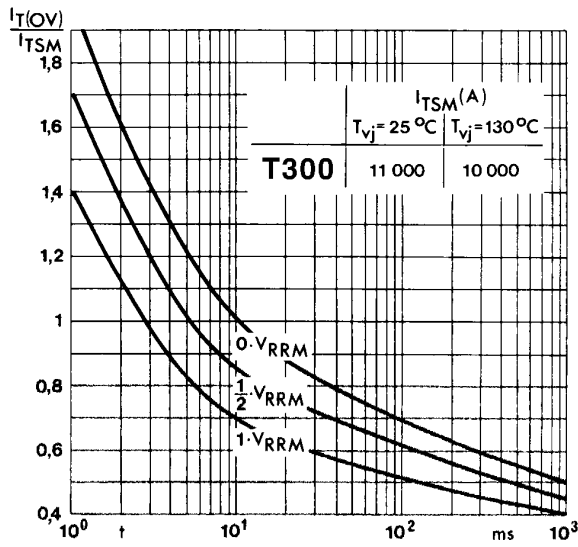




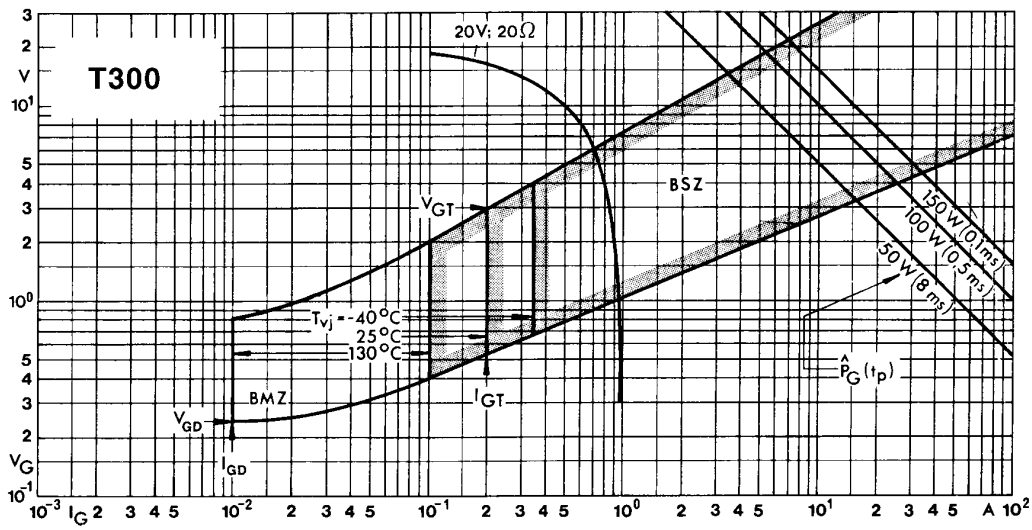
On-state characteristics



Power dissipation vs. on-state current



Surge overload current vs. time

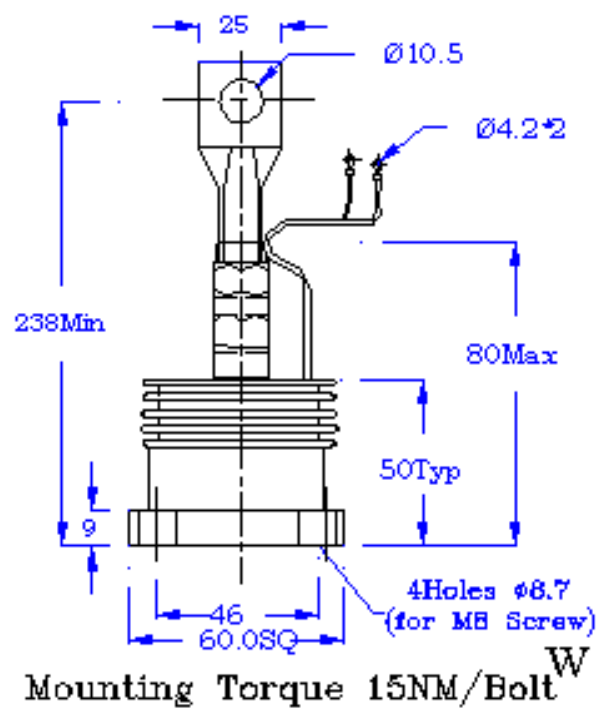
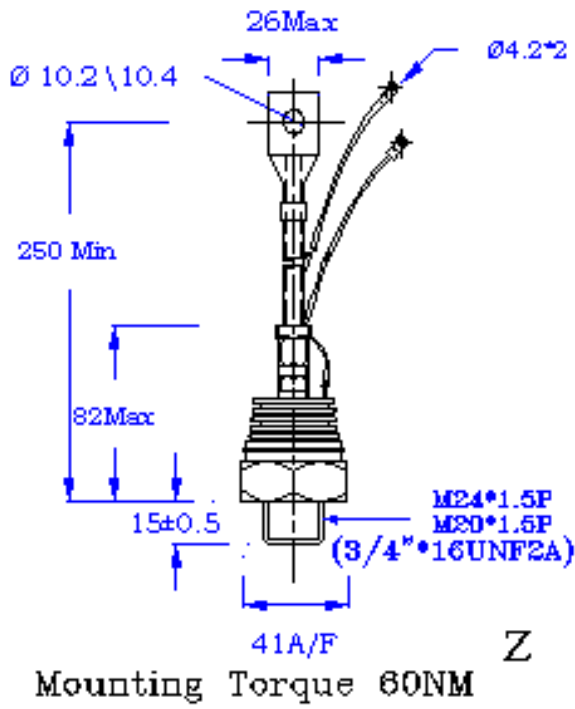


Gate trigger characteristics

PACAKAGE DEATILS

DO NOT SCALE

All Dimensions in mm



This datasheet has been downloaded from:

www.DatasheetCatalog.com

Datasheets for electronic components.