

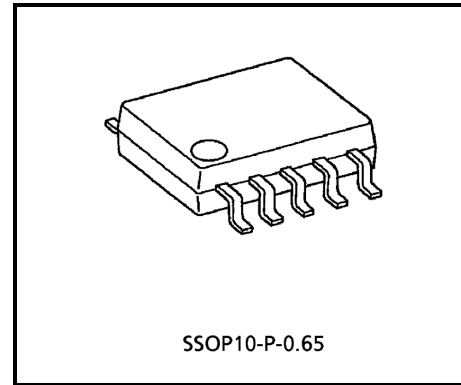
# TA2015FNG

## Ripple Filter (1.5V USE)

The TA2015FNG is a ripple filter IC, which is developed for low voltage operation (1.5V). It is especially suitable for supplying voltage for headphone stereo etc.

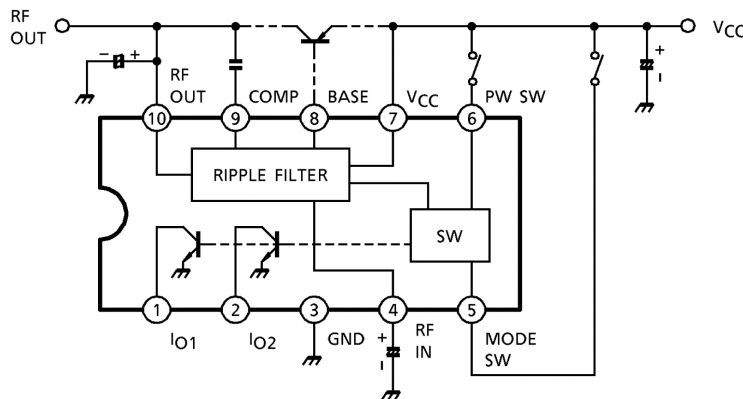
### Features

- Built-in a power switch
- Excellent ripple rejection ratio: RR = 43dB (typ.)
- Ripple filter output voltage can be controlled by external resistor.
- Output voltage is limited to  $V_{RF} = 1.5V$  (typ.)
- Built-in two constant current sources.
- Excellent low voltage operation.
- Low quiescent supply current ( $V_{CC} = 1.2V, T_a = 25^\circ C$ )  
 $I_{CC} = 0.7mA$  (typ.)
- Operating supply voltage range. ( $T_a = 25^\circ C$ )  
 $V_{CC (opr)} = 0.9\sim 2.2V$

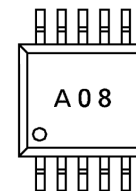


Weight: 0.04g (typ.)

### Block Diagram



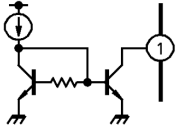
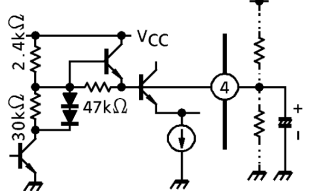
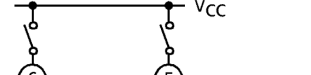
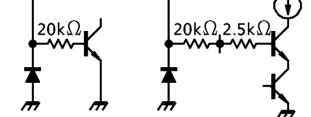
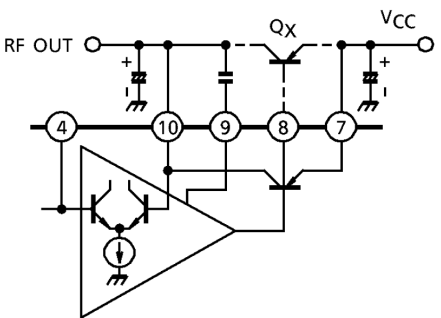
### Marking



## Terminal Explanation

Terminal Voltage: Typical Terminal Voltage with Test Circuit

( $V_{CC} = 1.2V$ ,  $T_a = 25^\circ C$ , non load)

| Terminal |                 | Function  | Internal Circuit   | Terminal Voltage (V) |
|----------|-----------------|---|--|----------------------|
| No.      | Name            |   |  |                      |
| 1        | I <sub>O1</sub> | Output of constant current source 1<br>Operating condition<br>PW SW : H<br>MODE SW : L  |    | —                    |
| 2        | I <sub>O2</sub> | Output of constant current source 2<br>Synchronized to PW SW  |  | —                    |
| 3        | GND             | —   | —  | 0                    |
| 4        | RF in           | Ripple filter terminal<br>Ripple filter output voltage can be controlled by external resistor.<br>(See application note)  |    | 1.14                 |
| 5        | Mode SW         | Mode switch<br>$V_{CC}$ / OPEN : I <sub>O2</sub> , RF OUT on<br>GND / OPEN : I <sub>O1</sub> , I <sub>O2</sub> on   |    | —                    |
| 6        | PW SW           | Power switch<br>$V_{CC}$ / OPEN : Power on<br>GND / OPEN : Power off  |   | —                    |
| 7        | V <sub>CC</sub> | —   | —  | 1.2                  |
| 8        | Base            | Base biasing terminal for ripple filter transistor.<br>Output current capacity is 1.2mA with only built-in PNP transistor.<br>This capacity can be increased with an external transistor Q <sub>X</sub> . |  | 0.5                  |
| 9        | Comp            | Phase compensation terminal for a ripple filter circuit   |  | 0.5                  |
| 10       | RF out          | Ripple filter output  |  | 1.14                 |

**Application Note**

1. Operation mode of constant current source  
 Operation mode is decided by switch condition shown in table.1. Output of constant current source 1 can be used as a reset circuit by changing start up timing of PW SW, MODE SW.
2. Ripple filter output  
 It is necessary to connect an external pull-down resistor with PW SW (pin(6)) and MODE SW (pin(5)) in case that ripple filter circuit doesn't operate normally due to external noise etc.
3. Adjustment of ripple filter output voltage  
 Internal circuit of pin(4) is shown in Fig.1. Ripple filter output voltage is decided by internal resistor R1, R2 and Q3, and limited by D1~2 and Q3 to  $V_{RF} = 1.5V$  (typ.)  
 Ripple filter output voltage can be controlled by method below.

|       |   | Mode SW                   |                                    |
|-------|---|---------------------------|------------------------------------|
|       |   | H                         | L                                  |
| PW SW | H | I <sub>O2</sub><br>RF OUT | I <sub>O1</sub><br>I <sub>O2</sub> |
|       | L | —                         | —                                  |

Table.1 Operation mode

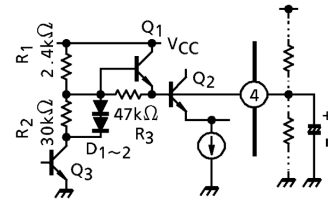


Fig.1 Internal circuit of pin④

- (1) Method to rise the ripple filter output voltage  
 External resistor should be connected between VCC and RF IN terminal (pin(4)). In this case, output current capacity of ripple filter circuit is down. Because at ripple filter output stage, collector-emitter voltage of PNP transistor will small, and drive capacity of transistor is down.
- (2) Method to drop the ripple filter output voltage  
 External resistor should be connected between GND and RF IN terminal (pin(4)).  
 Current flows through external resistor and internal resistor R1, R3 (2.4kΩ, 47kΩ).  
 In case that output voltage dropped too much, ripple rejection ratio and other characteristics will be worse, because constant current source of differential amplifier is saturated especially at low voltage.

## Maximum Ratings (Ta = 25°C)

| Characteristic                                     | Symbol                | Rating  | Unit |
|--|-----------------------|---------|------|
| Supply voltage                                     | V <sub>CC</sub>       | 4.5     | V    |
| Constant current source output voltage             | V <sub>S</sub>        | 4.5     |      |
| Constant current source output current             | I <sub>S</sub>        | 10      | mA   |
| Ripple filter output current (built-in transistor) | I <sub>RF</sub>       | 20      |      |
| Power dissipation                                  | P <sub>D</sub> (Note) | 300     | mW   |
| Operating temperature                              | T <sub>opr</sub>      | -25~75  | °C   |
| Storage temperature                                | T <sub>stg</sub>      | -55~150 |      |

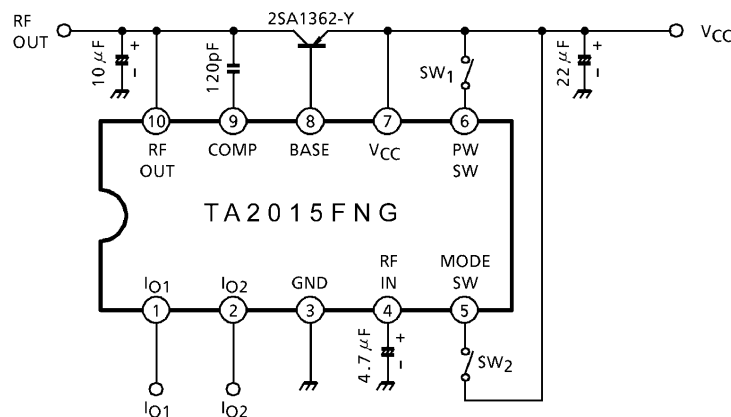
(Note) Derated above Ta = 25°C in the proportion of 2.4mW / °C.

## Electrical Characteristics

(unless otherwise specified, V<sub>CC</sub> = 1.2V, Ta = 25°C, SW<sub>1</sub>: ON, SW<sub>2</sub>: ON)

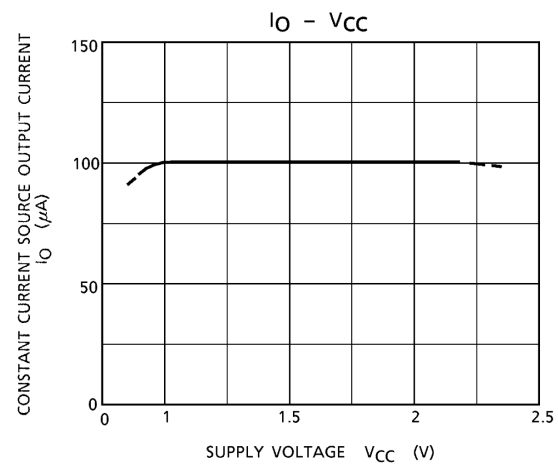
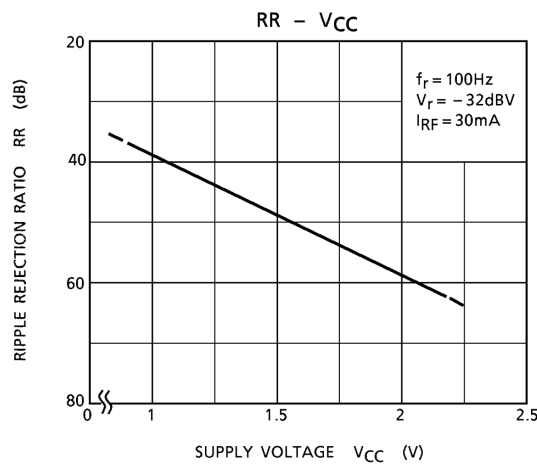
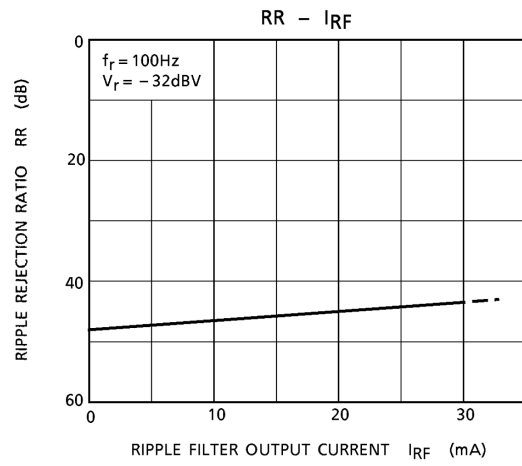
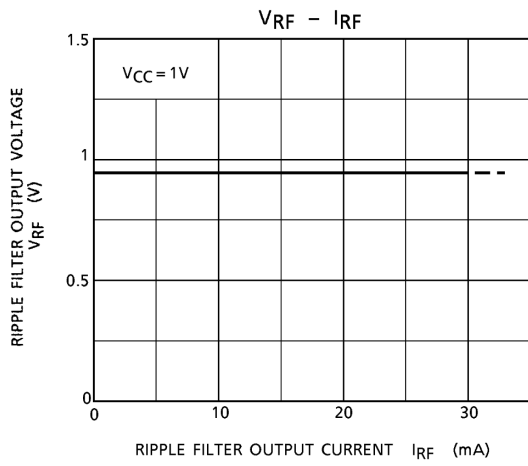
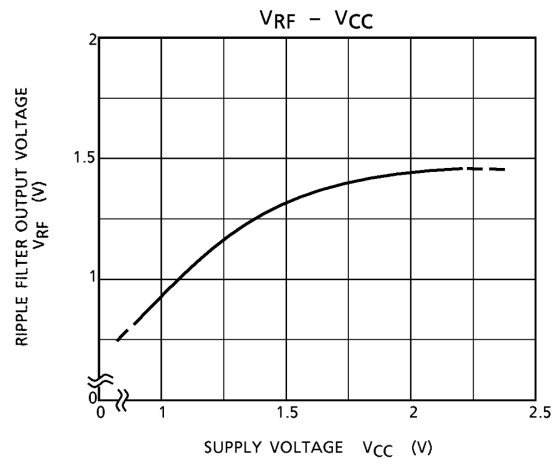
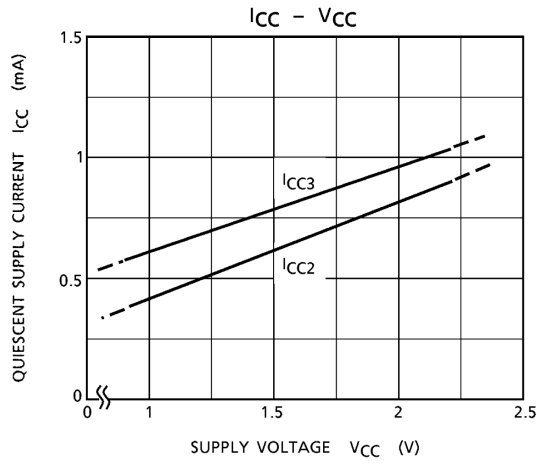
| Characteristic                         | Symbol           | Test Circuit | Test Condition  | Min.                   | Typ. | Max. | Unit |    |
|--|------------------|--------------|---|------------------------|------|------|------|----|
| Quiescent supply current               | I <sub>CC1</sub> | —            | PW off, SW <sub>1</sub> : OPEN<br>SW <sub>2</sub> : OPEN                  | —                      | 0.1  | 5    | μA   |    |
|  | I <sub>CC2</sub> | —            | SW <sub>2</sub> : Open, I <sub>O1</sub> = I <sub>O2</sub> = 0             | —                      | 0.5  | 0.8  | mA   |    |
|  | I <sub>CC3</sub> | —            | I <sub>RF</sub> = I <sub>O2</sub> = 0                                     | —                      | 0.7  | 1.0  |      |    |
| Ripple filter output voltage           | V <sub>RF</sub>  | —            | V <sub>CC</sub> = 1V, I <sub>RF</sub> = 0                                 | 0.91                   | 0.94 | —    | V    |    |
| Ripple rejection ratio                 | RR               | —            | V <sub>r</sub> = -32dBV<br>f <sub>r</sub> = 100Hz, I <sub>RF</sub> = 30mA | 36                     | 43   | —    | dB   |    |
| Constant current source output current | I <sub>O1</sub>  | —            | SW <sub>2</sub> : OPEN  | 50                     | —    | —    | μA   |    |
|  | I <sub>O2</sub>  | —            | —   | 50                     | —    | —    |      |    |
| Power switch on current                | I <sub>6</sub>   | —            | V <sub>CC</sub> = 0.9V  | V <sub>10</sub> ≥ 0.6V | 5    | —    | μA   |    |
| Power switch off voltage               | V <sub>6</sub>   | —            |   | V <sub>10</sub> ≤ 0.3V | 0    | —    | 0.3  | V  |
| Mode switch on current                 | I <sub>5</sub>   | —            |   | V <sub>10</sub> ≥ 0.6V | 5    | —    | —    | μA |
| Mode switch off voltage                | V <sub>5</sub>   | —            |   | V <sub>10</sub> ≤ 0.3V | 0    | —    | 0.3  | V  |

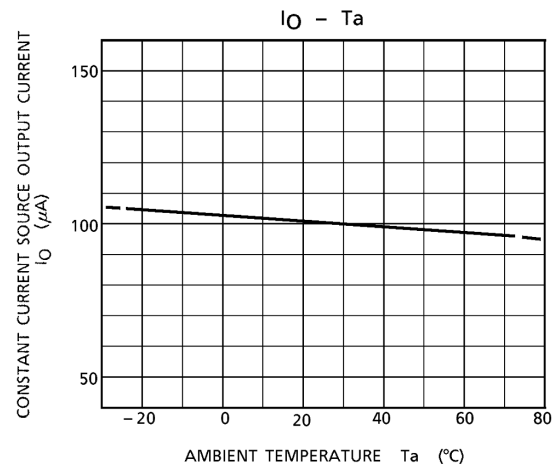
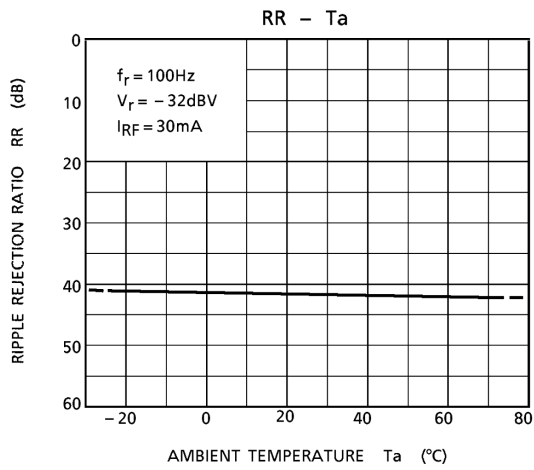
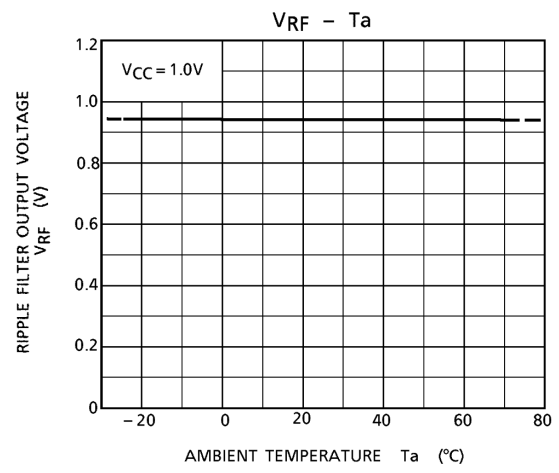
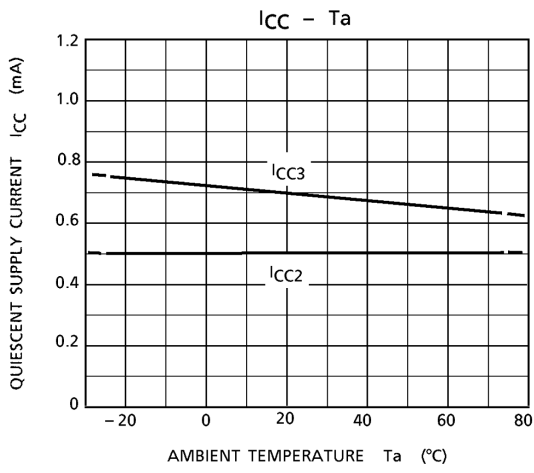
## Test Circuit



**Characteristic Curves**

(unless otherwise specified,  $V_{CC} = 1.2V$ ,  $I_{RF} = 0$ ,  $I_{O1} = I_{O2} = 0$ ,  $T_a = 25^\circ C$ )

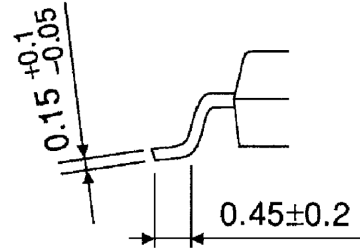
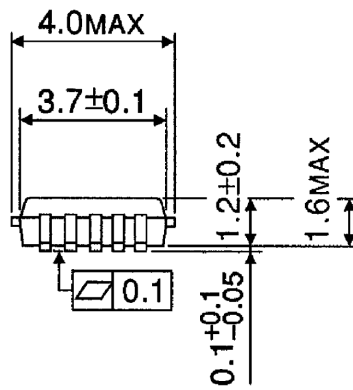
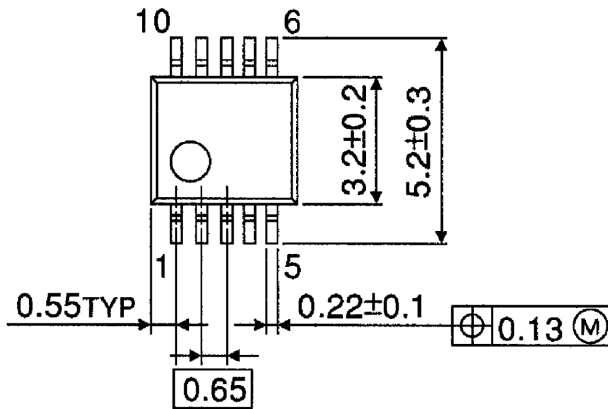




**Package Dimensions**

SSOP10-P-0.65

Unit : mm



Weight: 0.04g (typ.)

About solderability, following conditions were confirmed

- Solderability
  - (1) Use of Sn-63Pb solder Bath
    - solder bath temperature = 230°C
    - dipping time = 5 seconds
    - the number of times = once
    - use of R-type flux
  - (2) Use of Sn-3.0Ag-0.5Cu solder Bath
    - solder bath temperature = 245°C
    - dipping time = 5 seconds
    - the number of times = once
    - use of R-type flux

## RESTRICTIONS ON PRODUCT USE

030619EBA

- The information contained herein is subject to change without notice.
- The information contained herein is presented only as a guide for the applications of our products. No responsibility is assumed by TOSHIBA for any infringements of patents or other rights of the third parties which may result from its use. No license is granted by implication or otherwise under any patent or patent rights of TOSHIBA or others.
- TOSHIBA is continually working to improve the quality and reliability of its products. Nevertheless, semiconductor devices in general can malfunction or fail due to their inherent electrical sensitivity and vulnerability to physical stress. It is the responsibility of the buyer, when utilizing TOSHIBA products, to comply with the standards of safety in making a safe design for the entire system, and to avoid situations in which a malfunction or failure of such TOSHIBA products could cause loss of human life, bodily injury or damage to property.  
In developing your designs, please ensure that TOSHIBA products are used within specified operating ranges as set forth in the most recent TOSHIBA products specifications. Also, please keep in mind the precautions and conditions set forth in the "Handling Guide for Semiconductor Devices," or "TOSHIBA Semiconductor Reliability Handbook" etc..
- The TOSHIBA products listed in this document are intended for usage in general electronics applications (computer, personal equipment, office equipment, measuring equipment, industrial robotics, domestic appliances, etc.). These TOSHIBA products are neither intended nor warranted for usage in equipment that requires extraordinarily high quality and/or reliability or a malfunction or failure of which may cause loss of human life or bodily injury ("Unintended Usage"). Unintended Usage include atomic energy control instruments, airplane or spaceship instruments, transportation instruments, traffic signal instruments, combustion control instruments, medical instruments, all types of safety devices, etc.. Unintended Usage of TOSHIBA products listed in this document shall be made at the customer's own risk.
- The products described in this document are subject to the foreign exchange and foreign trade laws.
- TOSHIBA products should not be embedded to the downstream products which are prohibited to be produced and sold, under any law and regulations.