

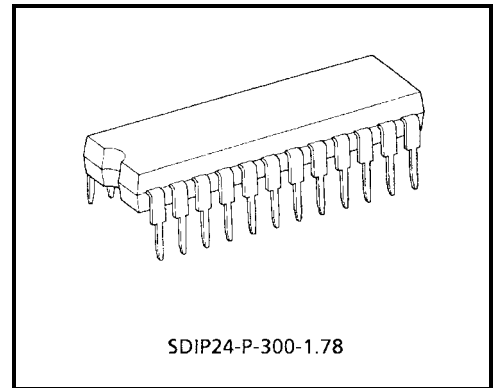
# TA2092N

## Power Driver IC for CD Player

The TA2092N is a power driver IC developed for CD players. This IC have built-in 4 channel BTL power amplifiers which drives focus-coil, tracking-coil for 3-beam pick-up head, disc motor and feed motor.

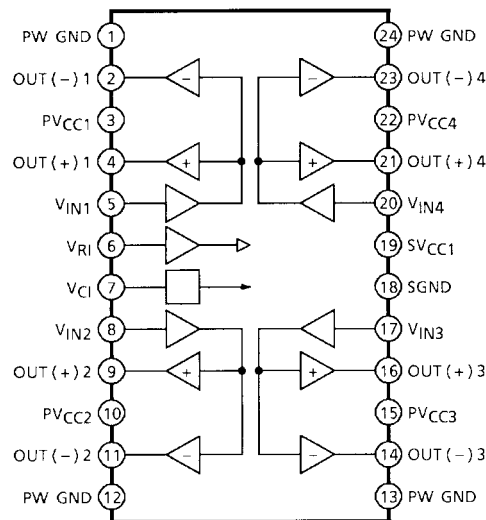
### Features

- 4 channel BTL linear drivers
- Fixed voltage gain:  $G_V = 15\text{dB}$  (typ.)
- High output power  
 :  $V_{OM1} = 5\text{ V}_{p-p}$  (typ.) @  $V_{CC} = 5\text{ V}$ ,  $R_L = 5\ \Omega$   
 :  $V_{OM2} = 6\text{ V}_{p-p}$  (typ.) @  $V_{CC} = 6\text{ V}$ ,  $R_L = 5\ \Omega$
- Thermal shutdown circuit
- Input reference voltage short protection
- Operating voltage range:  $V_{CC}(\text{opr}) = 4.0\sim 10.0\text{ V}$  ( $T_a = 25^\circ\text{C}$ )



Weight: 1.2 g (typ.)

### Block Diagram



## Terminal Explanation

Terminal No.	Symbol	Function	Equivalent Circuit	
1	PW GND	Power GND <ul style="list-style-type: none"> <li>Connected to substrate.</li> <li>pin 1, 12, 13, 24 are connected inside.</li> </ul>		
2	OUT (-) 1	Inverted output for CH1		
3	PVCC1	Supply terminal of output stage for CH1 <ul style="list-style-type: none"> <li>Supply terminal of output stage are not connected to other channel terminal.</li> </ul>		
4	OUT (+) 1	Non-inverted output for CH1		
5	V <sub>IN1</sub>	Input for CH1 <ul style="list-style-type: none"> <li>Not biased inside</li> </ul>		
6	V <sub>RI</sub>	Input reference voltage <ul style="list-style-type: none"> <li>Under condition of <math>V_{RI} \leq 1.8</math> V, internal bias circuit is shut off.</li> <li>No signal input condition: <math>V_{RI} = V_{IN}</math></li> </ul>		
7	V <sub>CI</sub>	Output reference voltage <ul style="list-style-type: none"> <li><math>V_{OUT} = V_{CI} = (V_{CC} - V_F) / 2</math></li> </ul>		
8	V <sub>IN2</sub>	Input for CH2	Same as channel 1	
9	OUT (+) 2	Non-inverted output for CH2		
10	PVCC2	Supply terminal of output stage for CH2		
11	OUT (-) 2	Inverted output for CH2		
12	PW GND	Power GND	Same as channel 1	
13	PW GND	Power GND		
14	OUT (-) 3	Inverted output for CH3		
15	PVCC3	Supply terminal of output stage for CH3		
16	OUT (+) 3	Non-inverted output for CH3	Same as channel 1	
17	V <sub>IN3</sub>	Input for CH3		
18	S GND	Supply terminal of small signal GND		—
19	S V <sub>CC</sub>	Small signal GND		—
20	V <sub>IN4</sub>	Input for CH4	Same as channel 1	
21	OUT (+) 4	Non-inverted output for CH4		
22	PVCC4	Supply terminal of output stage for CH4		
23	OUT (-) 4	Inverted output for CH4		
24	PW GND	Power GND		

## Maximum Ratings (Ta = 25°C)

Characteristics	Symbol	Rating	Unit
Supply voltage	V <sub>CC</sub>	14	V
Power dissipation	P <sub>D</sub> (Note 1)	(2) (Note 2)	W
Operating temperature	T <sub>opr</sub>	-30~85	°C
Storage temperature	T <sub>stg</sub>	-55~150	°C

Note 1: Mounted on 50 mm × 50 mm × 1.6 mm size board with copper area 60 % over.

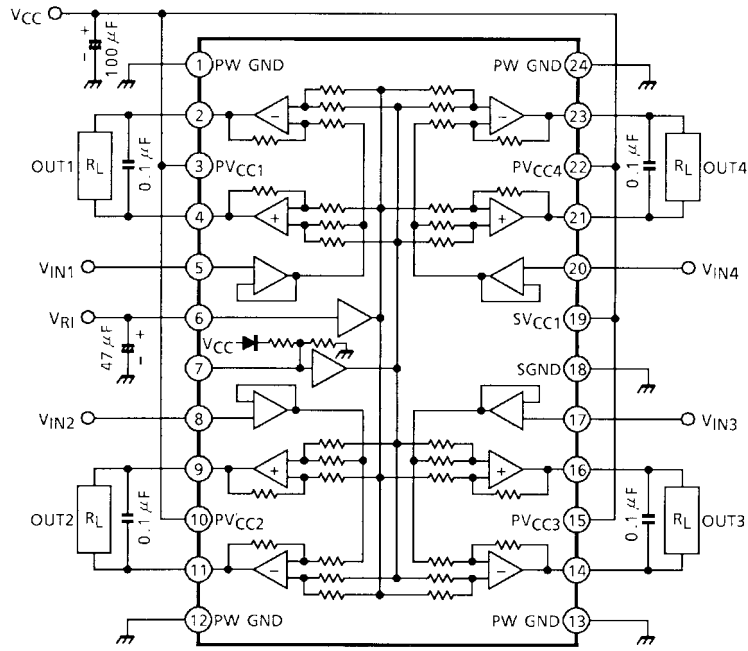
Note 2: Derated above Ta = 25°C, in the proportion of 62.5 mW/°C.

## Electrical Characteristics

(unless otherwise specified, V<sub>CC</sub> = 5 V, R<sub>L</sub> = 5 Ω, R<sub>g</sub> = 620 Ω, V<sub>RI</sub> = 2.1 V, f = 1 kHz, Ta = 25°C)

Characteristics	Symbol	Test Circuit	Test Condition	Min	Typ.	Max	Unit
Operating voltage	V <sub>CC</sub>	—	—	4.0	—	10.0	V
Quiescent current	I <sub>CCQ</sub>	—	V <sub>in</sub> = 0, R <sub>L</sub> = OPEN	20	35	60	mA
Input offset current	I <sub>IN</sub>	—	V <sub>IN</sub> = 2.1 V	—	250	800	nA
V <sub>RI</sub> terminal offset current	I <sub>I0</sub>	—	V <sub>RI</sub> = 2.1 V	—	35	120	μA
Output offset voltage	V <sub>O OS1</sub>	—	V <sub>CC</sub> = 5 V, R <sub>g</sub> = 0 Ω	-30	—	30	mV
	V <sub>O OS2</sub>	—	V <sub>CC</sub> = 8 V, R <sub>g</sub> = 0 Ω	-50	—	50	
	V <sub>O OS3</sub>	—	V <sub>CC</sub> = 12 V, R <sub>g</sub> = 0 Ω	-100	—	100	
Reference output voltage	V <sub>OUT</sub>	—	—	—	2.1	—	V
Maximum output voltage	V <sub>OM1</sub>	—	V <sub>CC</sub> = 5 V	4.0	5.0	—	V <sub>p-p</sub>
	V <sub>OM2</sub>	—	V <sub>CC</sub> = 6 V	5.0	6.0	—	
Voltage gain	G <sub>V</sub>	—	V <sub>in</sub> = 100 mVrms	14.5	15.5	16.5	dB
Frequency response	f <sub>c</sub>	—	V <sub>in</sub> = 100 mVrms	—	100	—	kHz
Total harmonic distortion	THD	—	V <sub>in</sub> = 100 mVrms	—	-50	—	dB
Slew rate	S.R.	—	V <sub>out</sub> = 2 V <sub>p-p</sub>	—	1.0	—	V/μs
Cross talk	C.T.	—	V <sub>out</sub> = 1 Vrms	—	-60	—	dB
Ripple rejection ratio	R.R.	—	f <sub>rip</sub> = 100 Hz, V <sub>rip</sub> = 100 mVrms	—	-60	—	dB
Thermal shut down temperature	T <sub>TSD</sub>	—	Chip temperature	—	150	—	°C
V <sub>RI</sub> -GND short protection voltage	V <sub>RI OFF</sub>	—	—	1.4	1.6	1.8	V

Test Circuit



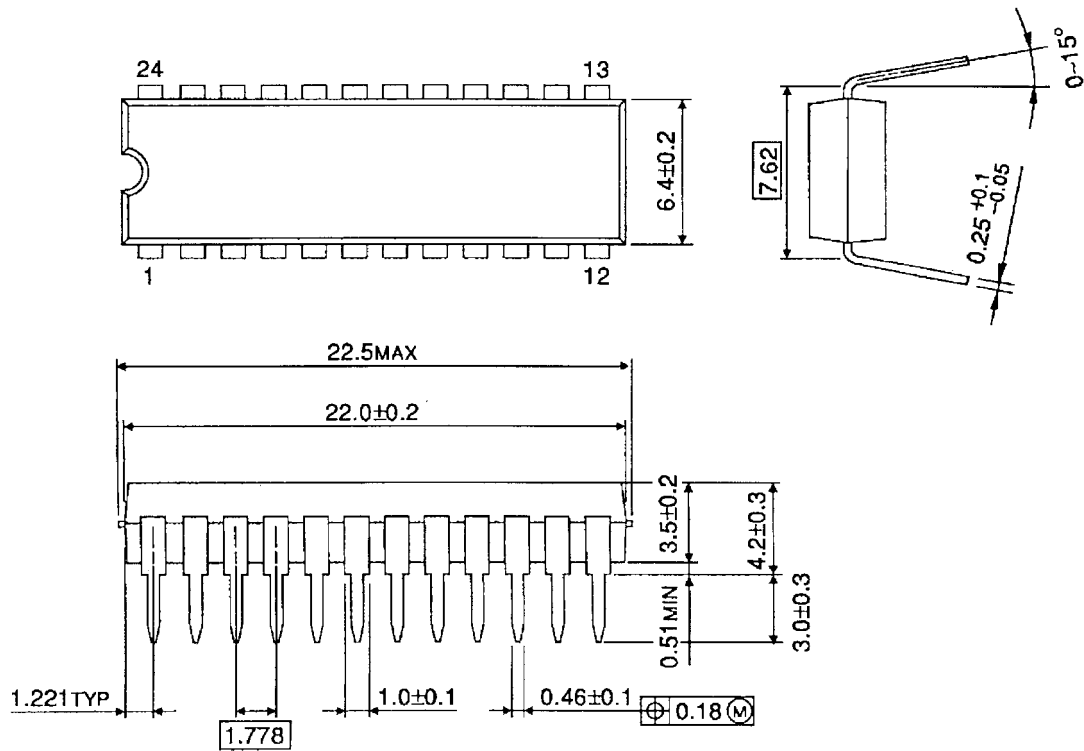
## Precaution Use

- Input stage
  - Input stages are consisted of differential circuit of NPN Tr, and have built-in IB compensation circuit.
- Built-in driver
  - Each channel driver consists of BTL configuration linear amplifier.  
Voltage gain is fixed:  $G_V = 15.5\text{dB}$  (typ.)  
Voltage loss for output stage is  $2 V_{BE} = V_{CE(\text{sat})}$  for positive cycle,  $V_{CE(\text{sat})}$  for negative cycle, because of no-bootstrap circuit. So, output DC voltage is designed as less than  $1/2 V_{CC}$ .
- VRI terminal
  - VRI is reference voltage terminal for input signal.  
If reference voltage from servo IC drop less than 1.8 V, protection circuit operates and shut off bias circuit inside. This operation is to prevent load from moving undesireably in case of VRI drop for accident or some reason.
- VCI terminal
  - Output DC voltage is determined by circuit of this terminal inside as:  
 $V_{CI} = V_{OUT(\text{DC})} = (V_{CC} - V_F) / 2$
  - Output signal dynamic range is depend on  $V_{CC}$ . On the other hand, input signal dynamic range is determined by VRI as mentioned and voltage gain is fixed inside. So, maximum output voltage does not increase as  $V_{CC}$  increases.
  - Because of BTL configuration, Ripple Rejection Ratio does not improve not much when capacitor is connected to VCI terminal to GND.
- GND
  - Large signal GND is for output stage and small signal GND is for stages from input circuit to pre-output stage.
  - These GND pins are not connected inside.
  - The heat of power dissipation is transferred to PCB, through these PW-GND Pin, because, 1, 12, 13, 24 pin are connected each other and to substrate of Pellet to connected copper foil area as large as possible.
- Oscillation preventive capacitor
  - We recommend to use the capacitor of 0.1  $\mu\text{F}$ , between each output terminals. But perform the temperature test to check the oscillation allowance, since the oscillation allowance is varied according to the causes described below.
    - 1) Supply voltage
    - 2) Ambient temperature
    - 3) Load impedance
    - 4) Capacity value of condenser
    - 5) Kind of condenser
    - 6) Layout of Printed board
  - We recommend to connect Pass-condenser, which is about 10 to 100  $\mu\text{F}$  between VRI terminal and GND.
  - VCI terminal is recommend to use "OPEN".

## Package Dimensions

SDIP24-P-300-1.78

Unit : mm



Weight: 1.2 g (typ.)

**RESTRICTIONS ON PRODUCT USE**

000707EBA

- TOSHIBA is continually working to improve the quality and reliability of its products. Nevertheless, semiconductor devices in general can malfunction or fail due to their inherent electrical sensitivity and vulnerability to physical stress. It is the responsibility of the buyer, when utilizing TOSHIBA products, to comply with the standards of safety in making a safe design for the entire system, and to avoid situations in which a malfunction or failure of such TOSHIBA products could cause loss of human life, bodily injury or damage to property.  
In developing your designs, please ensure that TOSHIBA products are used within specified operating ranges as set forth in the most recent TOSHIBA products specifications. Also, please keep in mind the precautions and conditions set forth in the "Handling Guide for Semiconductor Devices," or "TOSHIBA Semiconductor Reliability Handbook" etc..
- The TOSHIBA products listed in this document are intended for usage in general electronics applications (computer, personal equipment, office equipment, measuring equipment, industrial robotics, domestic appliances, etc.). These TOSHIBA products are neither intended nor warranted for usage in equipment that requires extraordinarily high quality and/or reliability or a malfunction or failure of which may cause loss of human life or bodily injury ("Unintended Usage"). Unintended Usage include atomic energy control instruments, airplane or spaceship instruments, transportation instruments, traffic signal instruments, combustion control instruments, medical instruments, all types of safety devices, etc.. Unintended Usage of TOSHIBA products listed in this document shall be made at the customer's own risk.
- The products described in this document are subject to the foreign exchange and foreign trade laws.
- The information contained herein is presented only as a guide for the applications of our products. No responsibility is assumed by TOSHIBA CORPORATION for any infringements of intellectual property or other rights of the third parties which may result from its use. No license is granted by implication or otherwise under any intellectual property or other rights of TOSHIBA CORPORATION or others.
- The information contained herein is subject to change without notice.