

PLL FM STEREO MULTIPLEX LOW VOLTAGE USE (SIP 9 PIN)

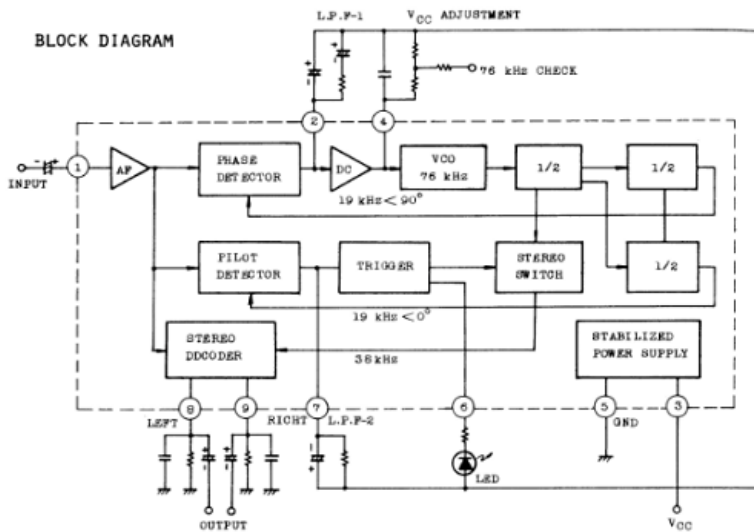
1. Suitable for Portable Sets or Low Voltage use.
2. Very Few External Parts.
3. Small Occupied Area on Board.
4. Easy Adjustment.
5. Excellent Pilot Lamp Sensitivity [sic] : VL(ON)=10mVrms (Typ.)
6. Suitable for LED Driving (Maximum Lamp Current: 30mA)
7. Operating Supply Voltage Range : VCC=3.5-12V
8. Recommended Supply Voltage: VCC=5V
9. Excellent Channel Separation Through Entire
Audio Frequency Range: Sep=40dB (Typ.) [sic]
10. Low Distortion : THD=0.15% (Typ.) at VIN=150mVrms Stereo.
11. Output Gain Control Capability with Various Load Resistance (Plus Gain Capability)



INTEGRATED CIRCUIT

TECHNICAL DATA

TA7323P



1. DC CHARACTERISTICS
(VCC = 5V, Terminal Voltage at No Signal)

ITEM	SYMBOL	TYP.	UNIT
Terminal 1 (INPUT)	V ₁	3.0	V
2 (L.P.F-1)	V ₂	3.6	V
3 (VCC)	V ₃	5.0	V
4 (VCO)	V ₄	4.1	V
5 (GND)	V ₅	0	V
6 (ST. LAMP)	V ₆	-	V
7 (L.P.F-2)	V ₇	4.6	V
8 (L-CH OUTPUT)	V ₈	2.0	V
9 (R-CH OUTPUT)	V ₉	2.0	V