

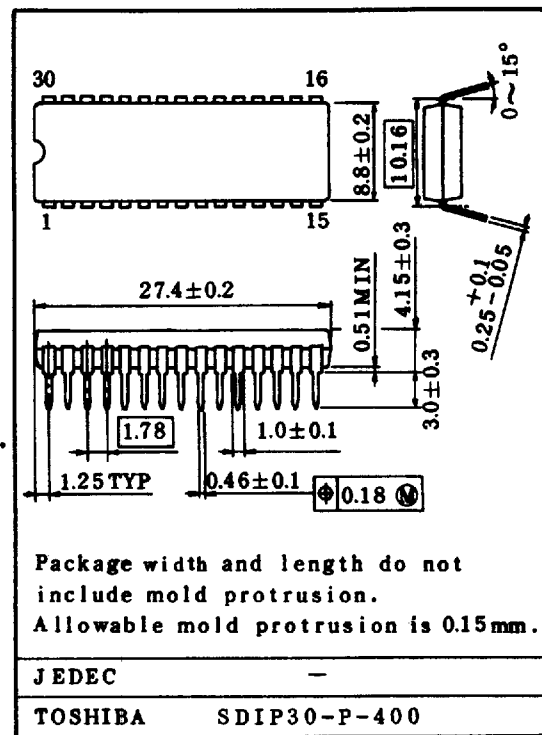
TENTATIVE

LINEAR RGB PROCESSIONOR FOR A MONITOR/  
DISPLAY APPLICATION

The TA8631N is a linear RGB signal processor which is designed for a monitor or a display application. The drighthness control is possible in both CRT driving circuits, a direct couplling circuit or an AC couplling circuit.

- . 60MHz RGB signal band width (Typ.)
- . AC couplling CRT driving circuit (peak clamp construction): Adjustable Blanking Pulse amplitude and Clamping pulse input are applied.
- . Direct couplling CRT driving circuit: Pedestal clamp and equiped DC feedback circuit are applied.
- . Contrast Control
- . Blanking pulse amplitude adjustment
- . Clamping circuit
- . DC feedback (DC restoration)
- . Brightness Control
- . ACL circuit

Unit in mm



MAXIMUM RATINGS (Ta=25°C)

CHARACTERISTIC	SYMBOL	RATING	UNIT
Supply Voltage	V <sub>CC</sub> -V <sub>EE</sub>	15	V
Terminal 2 Voltage	V <sub>2</sub>	0~V <sub>CC</sub>	V
Terminal 6,9,12 and 7,10,13 Voltage	V <sub>6</sub> ,V <sub>9</sub> ,V <sub>12</sub> V <sub>7</sub> ,V <sub>10</sub> ,V <sub>13</sub>	V <sub>EE</sub> ~V <sub>CC</sub>	V
Terminal 4,8 Voltage	V <sub>CC</sub> -V <sub>4</sub> V <sub>CC</sub> -V <sub>8</sub>	10	V
Terminal 16,21,25 Voltage	V <sub>16</sub> ,V <sub>21</sub> ,V <sub>25</sub>	V <sub>EE</sub> ~5	V
Terminal 17,22,27 Cource Current	I <sub>17</sub> ,I <sub>22</sub> ,I <sub>27</sub>	10	mA
Terminal 17,22,27 Voltage	V <sub>17</sub> ,V <sub>22</sub> ,V <sub>27</sub>	V <sub>CC</sub>	V
Terminal 20,23,28,29 Voltage	V <sub>20</sub> ,V <sub>23</sub> ,V <sub>28</sub> ,V <sub>29</sub>	0~5	V
Terminal 30 Voltage	V <sub>30</sub>	0~V <sub>CC</sub>	V
Power Dissipation	P <sub>D</sub> MAX	1.6	W
Operating Temperature	T <sub>opr</sub>	-20~65	°C
Storage Temperature	T <sub>stg</sub>	-55~150	°C

The information contained herein is presented only as a guide for the applications of our products. No responsibility is assumed by TOSHIBA for any infringements of patents or other rights of the third parties which may result from its use. No license is granted by implication or otherwise under any patent or patent rights of TOSHIBA or others.

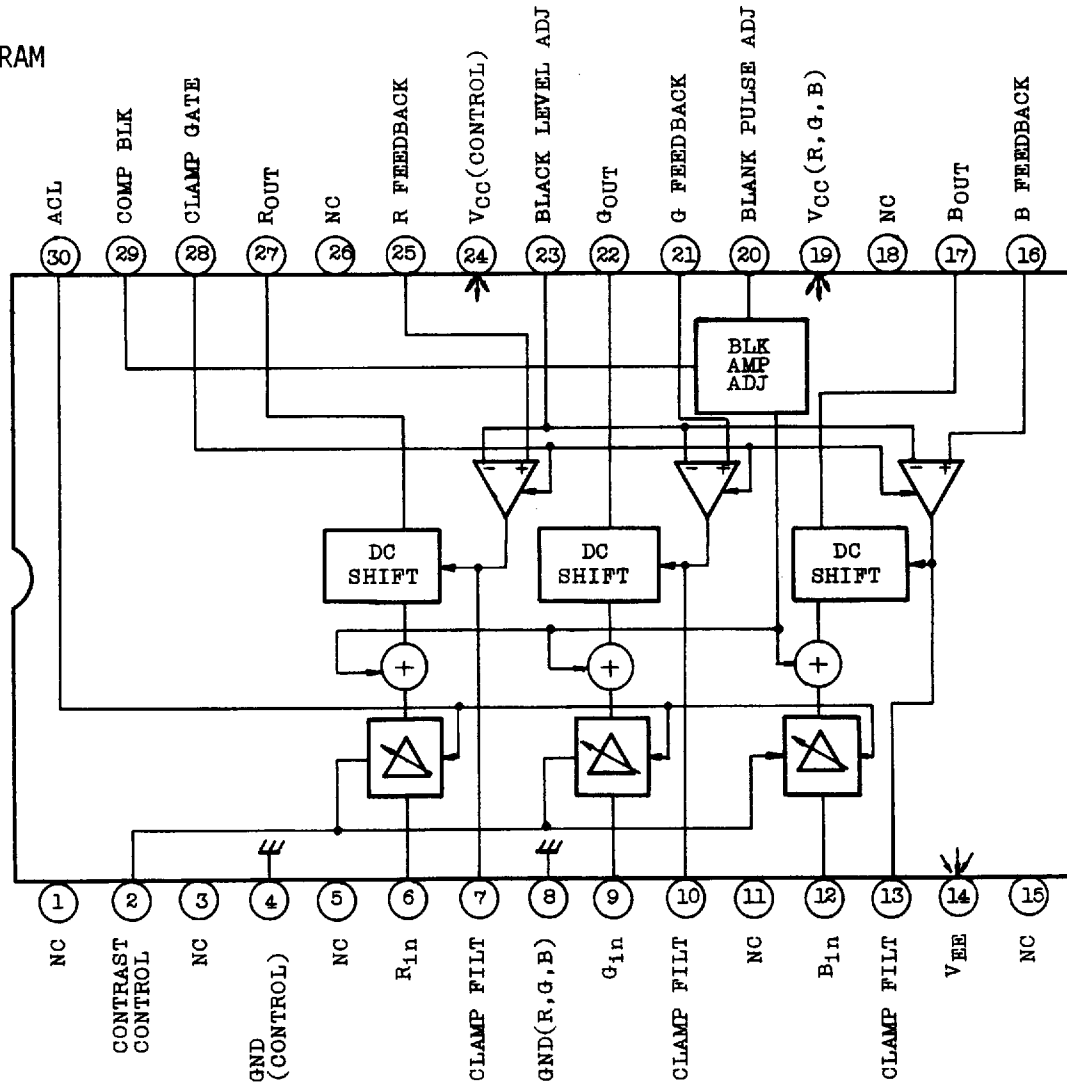
TA8631N-1

1988-9-12

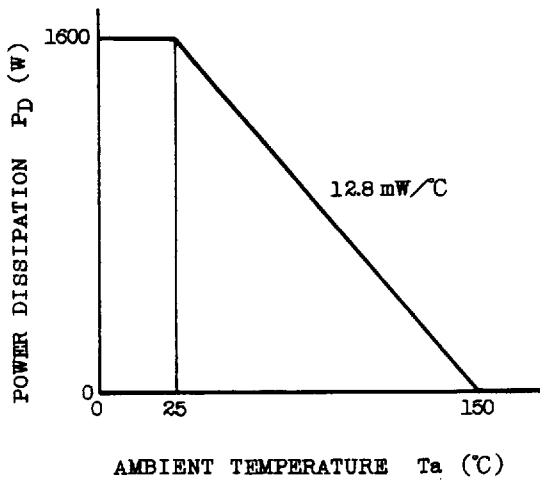
**TOSHIBA CORPORATION**

256 9656700 2422606

**BLOCK DIAGRAM**



**POWER DISSIPATION**



TA8631N-2
1988-9-12
<b>TOSHIBA CORPORATION</b>

### ELECTRICAL CHARACTERISTICS

(Unless otherwise specified,  $T_a=25^\circ\text{C}\pm 1.5^\circ\text{C}$ ,  $V_{CC}=8\text{V}$ ,  $V_{EE}=-5\text{V}$ )

CHARACTERISTIC		SYMBOL	TEST CIRCUIT	TEST CONDITION	MIN.	TYP.	MAX.	UNIT
Recommendable Supply Voltage	#19.24	$V_{CC}$	1		7.2	8.0	8.8	V
	#14	$V_{EE}$			-5.5	-5.0	-4.5	
Supply Current	#24	$I_{CC24}$	1	Note 1	7	9	13	mA
	#19	$I_{CC19}$			34	45	64	
	#14	$I_{EE14}$			30	39	56	
Input Signal Dynamic Range	$V_{6+}, V_{9+}, V_{12+}$		1	Note 2	1.4	1.5	1.6	V
	$V_{6-}, V_{9-}, V_{12-}$				-0.8	-1.0	-1.2	
	$V_6, V_9, V_{12}$				-	0.7	1.0	Vp-p
Output Amplitude	$U_o$		1	Note 2	-	5.0	-	Vp-p
Maximum Gain	$G_m$		1	Note 3	11.5	12.5	13.5	dB
Contrast Range	$R_{CONT}$		1	$V_2=6\text{V} \rightarrow V_2=1\text{V}$	12.0	-	-	dB
Contrast Tracking	$TR_{CONT}$		1	Note 4	-	$\pm 2$	$\pm 3$	dB
Blanking Pulse Adjustable Range	$V_{BLK MAX}$		1	Note 5	-0.1	0	0.1	Vp-p
	$V_{BLK MIN}$				0.8	1.0	1.2	
Blanking Pulse Tracking	$TR_{BLK}$		1	Note 6	-	-	$\pm 50$	mVp-p
Blanking Pulse "H" level	$V_H BLK$		1		3.5	-	$V_{CC}-2$	V
	"L" level $V_L BLK$				-0.4	-	2.5	
Blanking Pulse Delay Time	$\tau_{blk}$		1		-	50	100	nsec
Blanking Pulse Range	$R_{BLK}$		1	Note 5	1.9	2.2	2.5	V
Black Level Control Range	$R_{BL}$		1	Note 7	0.1	-	4.0	V
RGB Black Level Difference	$\Delta V_{BL}$		1	Note 8	-	-	$\pm 50$	mV
Black Level Temperature Drift	$\Delta T_{BL}$		1	Note 9	-	0	$\pm 1$	mV/ $^\circ\text{C}$
ACL Threshokd Voltage Gain	$V_{TH ACL}$ $G_{ACL}$		1	Note 10	5.9	6.3	6.6	V dB/V
R.G.B Freq. Response	fBW		1	Note 11	-	45	-	MHz
Response Ripple	R		1	0~10MHz	-	-	$\pm 0.5$	dB
				10MHz~30MHz	-	2.5	3.5	

TA8631N-3

1988-9-12

TOSHIBA CORPORATION

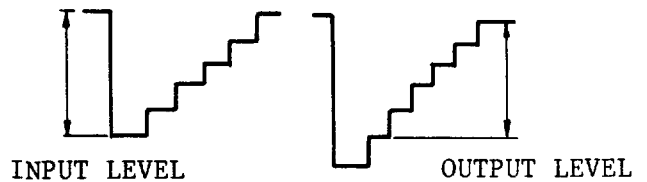
**ELECTRICAL CHARACTERISTICS**

(Unless otherwise specified,  $T_a=25^{\circ}\text{C}\pm 1.5^{\circ}\text{C}$ ,  $V_{CC}=8\text{V}$ ,  $V_{EE}=-5\text{V}$ )

CHARACTERISTIC	SYMBOL	TEST CIR-CUIT	TEST CONDITION	MIN.	TYP.	MAX.	UNIT
R.G.B Gain Difference	G	1	Contrast Max.	-	$\pm 5.0$	$\pm 15$	%
			0~10MHz	-	$\pm 20$	$\pm 25$	
Cross Talk Between Channels	CT	1	0~10MHz	-	-	-40	dB
			10MHz~30MHz	-	-	-25	
Contrast Deviation at High Frequency	D <sub>CONT</sub>	1	Contrast -12dB	-	$\pm 2$	$\pm 3$	dB
			0~10MHz	-	$\pm 3$	-	
R.G.B Output Impedance	Z <sub>O</sub>	1		-	50	100	$\Omega$

Note 1 ABL:8V, CONTRAST:8V, Clamp Gate:0V, Comp Blank:0V  
 Apply 3.5V D.C. to the filter terminals.

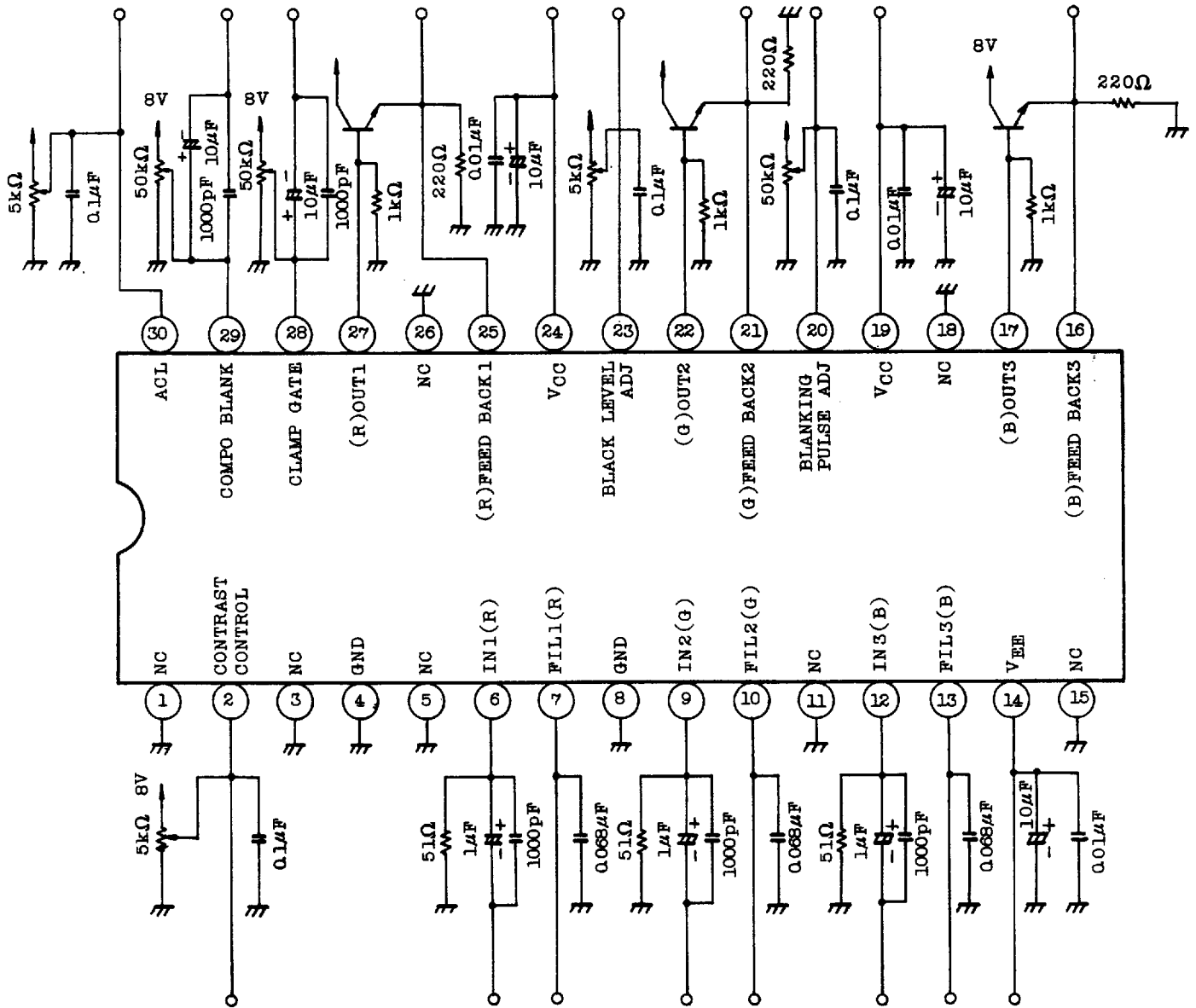
Note 2 INPUT:5 steps, Staircase  
 ABL:8V  
 Contrast:8V Pulse  
 Clamp Gate:5V Input



Note 3 INPUT:0.5Vp-p, 500kHz Sinusoidal wave.  
 ABL:8V  
 Contrast:8V  
 Clamp Gate:4.0V  
 Comp Blank:2.0V  
 Black ADJ:3.0V

- Note 4 Conditions are the same as Note 3 except contrast control voltage.  
Set contrast control so that the contrast of R channel will be -12dB of the maximum.  
Measure contrast tracking of G and B channel.
- Note 5 Apply D.C. voltages to filter terminals so that the output level will be 3.0V. Then turn of composite blanking.  
Measure the output D.C. level changing blanking adj.  
(Clamp Gate : 2.0V)
- Note 6 Pefter Note 5.  
Tracking of blanking pulse when blanking adj is 2.0V.
- Note 7 #23 voltage range which #17.22 and 27 voltage track the change.
- Note 8 Black level differences between channels when black level is changed 0.1V to 4.0V.
- Note 9 Clamp Gate:4.0V, Black ADJ:0.5V (Ta=25°C)  
Change Ta=-20~70°C, and measure output voltage changes.
- Note 10 INPUT 0.5Vp-p 500kHz  
Contrast:8V, Black ADJ:3.0V  
Clamp Gate:4.0V  
Comp Blank:2.0V
- Note 11 ABL:8.0V  
Comp Blank:2.0V  
Clamp Gate:4.0V  
Black ADJ :3.7V  
Contrast (Max. Gain, -6dB, -12dB)

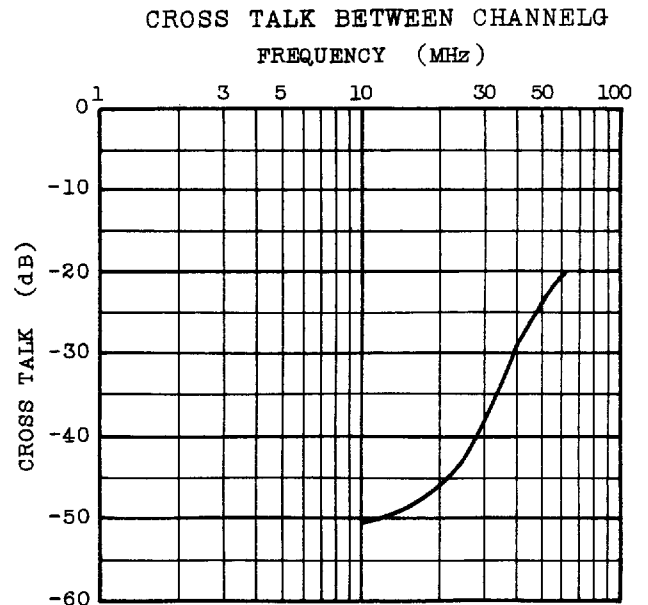
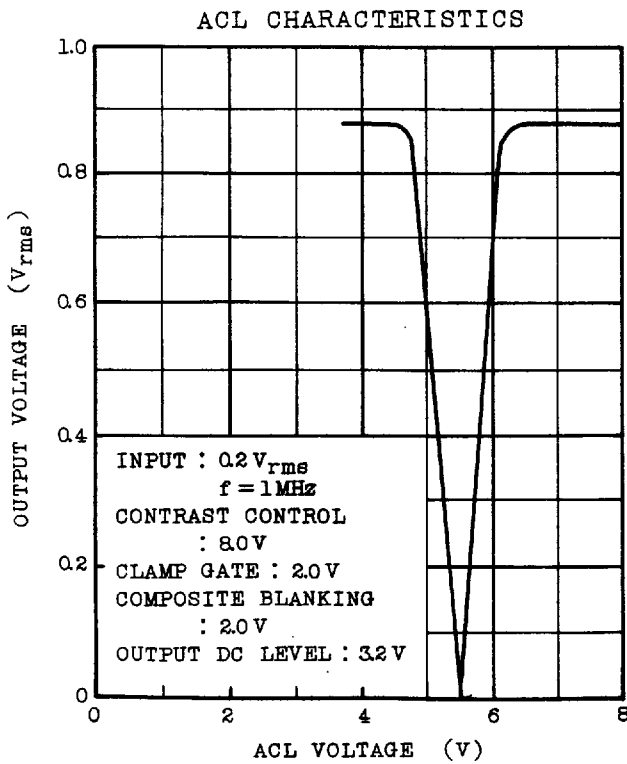
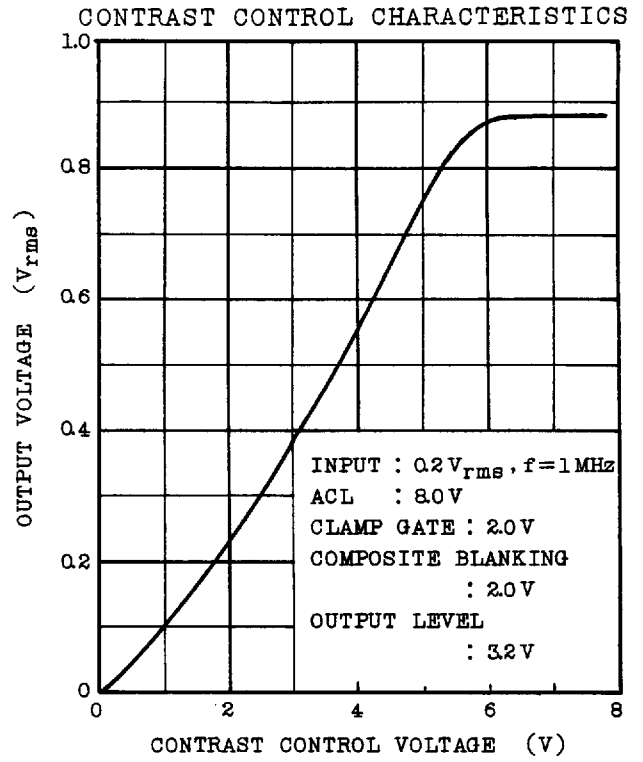
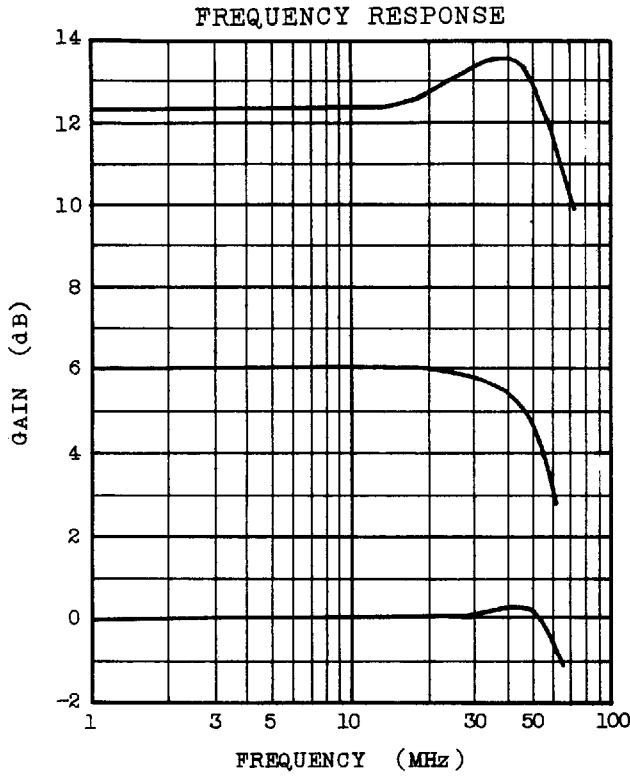
AC TEST CIRCUIT 1



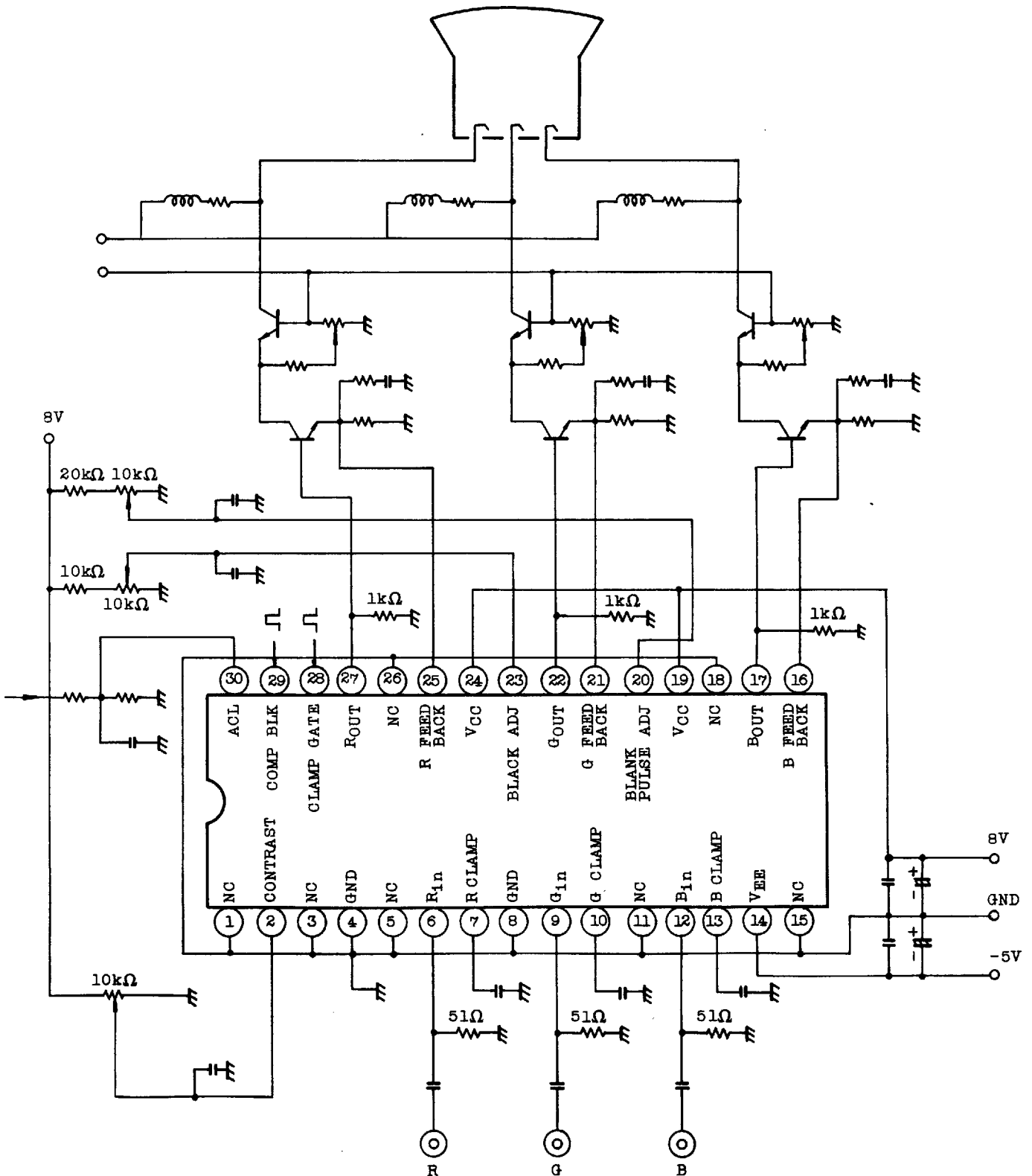
TA8631N-6

1988-9-12

**TOSHIBA CORPORATION**



APPLICATION CIRCUIT



TA8631N-8*
1988-9-12
<b>TOSHIBA CORPORATION</b>