



LINEAR BUILDING BLOCK – DUAL LOW POWER OP AMP

FEATURES

- Optimized for Single Supply Operation
- Small Package8-Pin MSOP
(Occupies Half the Space of an 8-Pin SOIC)
- Ultra Low Input Bias Current Less than 100pA
- Low Quiescent Current 10µA Max
- Operates Down to $V_{DD} = 1.8 V$

APPLICATIONS

- Power Supply Circuits
- Embedded Systems
- Instrumentation
- Portable Equipment
- Consumer Products

GENERAL DESCRIPTION

The TC1029 is a dual, low power operational amplifier designed for low power applications.

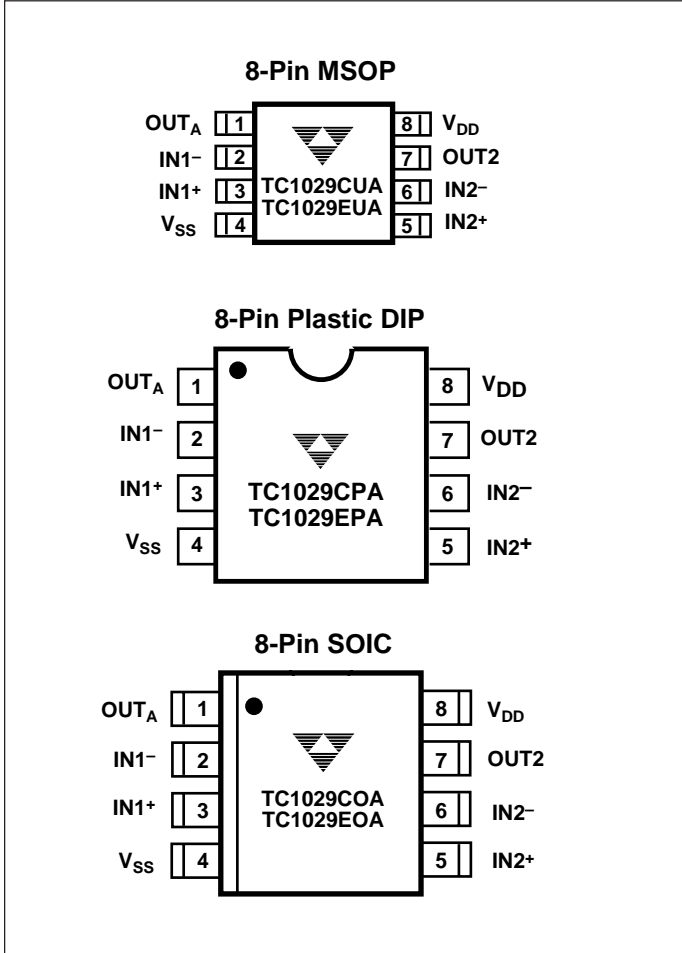
It is designed specifically for operation from a single supply, however, operation from dual supplies is also possible, and the power supply current drain is independent of the magnitude of the power supply voltage. Supply current is 8µA maximum and the TC1029 operates down to $V_{DD} = 1.8 V$.

Packaged in an 8-pin MSOP, SOIC, or DIP, the TC1029 is ideal for battery operated applications.

ORDERING INFORMATION

Part No.	Package	Temp. Range
TC1029COA	8-Pin SOIC	0°C to +70°C
TC1029CPA	8-Pin Plastic DIP	0°C to +70°C
TC1029CUA	8-Pin MSOP	0°C to +70°C
TC1029EOA	8-Pin SOIC	- 40°C to +85°C
TC1029EPA	8-Pin Plastic DIP	- 40°C to +85°C
TC1029EUA	8-Pin MSOP	- 40°C to +85°C
<i>TC43EV</i>	<i>Evaluation Kit for Linear Building Block Family</i>	

PIN CONFIGURATIONS



FUNCTIONAL BLOCK DIAGRAM

