



# MICROCHIP TC1272/TC1273/TC1274

## 3-Pin Reset Monitors for 5V Systems

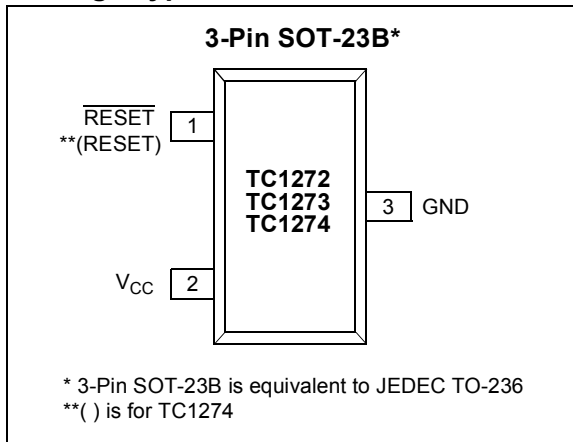
### Features

- Precision  $V_{CC}$  Monitor for 5.0V Systems
- 100 msec Minimum RESET, RESET Output Duration
- Output Valid to  $V_{CC} = 1.2V$
- $V_{CC}$  Transient Immunity
- Small 3-Pin SOT-23B Package
- No External Components

### Applications

- Computers
- Embedded Systems
- Battery-Powered Equipment
- Critical  $\mu P$  Power Supply Monitoring

### Package Type



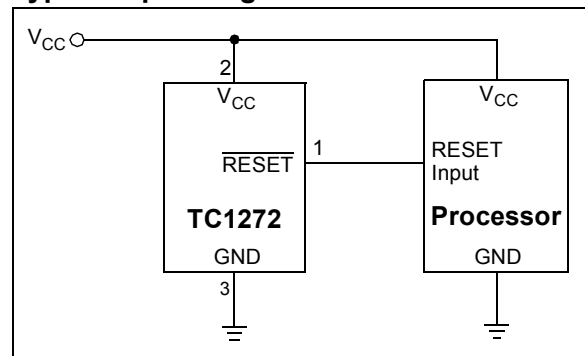
### General Description

The TC1272/TC1273/TC1274 are cost-effective system supervisor circuits designed to monitor  $V_{CC}$  in digital systems and provide a reset signal to the host processor when necessary. No external components are required.

The reset output is driven active within 20  $\mu$ sec of  $V_{CC}$  falling through the reset voltage threshold. RESET is maintained active for a minimum of 100 msec after  $V_{CC}$  rises above the reset threshold. The TC1274 has an active-high RESET output, while the TC1272 and TC1273 have an active-low RESET output. The TC1272 and TC1274 each have a complimentary output, while the TC1273 has an open-drain output. The output of the TC1272 and TC1273 is valid down to  $V_{CC} = 1.2V$ . The TC1274 is valid down to  $V_{CC} = 1.8V$ . All three devices are available in a 3-Pin SOT-23B package.

The TC1272/TC1273/TC1274 devices are optimized to reject fast transient glitches on the  $V_{CC}$  line.

### Typical Operating Circuit



# TC1272/TC1273/TC1274

## 1.0 ELECTRICAL CHARACTERISTICS

### Absolute Maximum Ratings†

Supply Voltage ( $V_{CC}$ to GND) .....	+6.0V
$\overline{\text{RESET}}$ , RESET .....	-0.3V to ( $V_{CC} + 0.3V$ )
Input Current, $V_{CC}$ .....	20 mA
Output Current, $\overline{\text{RESET}}$ , RESET .....	20 mA
Power Dissipation ( $T_A \leq 70^\circ\text{C}$ )	
3-Pin SOT-23B (derate 4 mW/ $^\circ\text{C}$ above $+70^\circ\text{C}$ )	
.....	230 mW
Operating Temperature Range .....	$-40^\circ\text{C}$ to $+85^\circ\text{C}$
Storage Temperature Range .....	$-65^\circ\text{C}$ to $+150^\circ\text{C}$

† Stresses above those listed under "Absolute Maximum Ratings" may cause permanent damage to the device. These are stress ratings only and functional operation of the device at these or any other conditions above those indicated in the operation sections of the specifications is not implied. Exposure to Absolute Maximum Rating conditions for extended periods may affect device reliability.

## DC CHARACTERISTICS

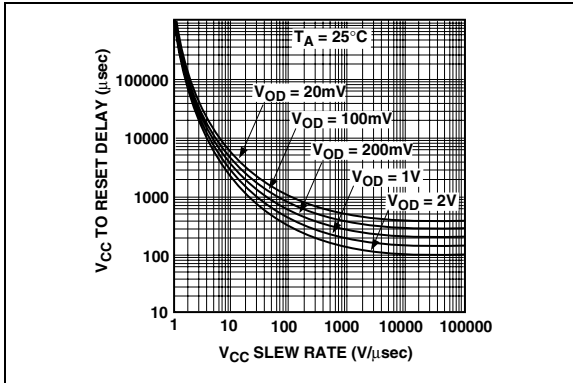
Electrical Specifications: Unless otherwise noted, $T_A = -40^\circ\text{C}$ to $+85^\circ\text{C}$ . Typical values are at $T_A = +25^\circ\text{C}$ .						
Parameters	Sym	Min	Typ	Max	Units	Conditions
<b>Supply Voltage</b>						
TC1272, TC1273	$V_{CC}$	1.2	—	5.5	V	Note 1
TC1274	$V_{CC}$	1.8	—	5.5	V	
Output Voltage @ 0-500 $\mu\text{A}$	$V_{OH}$	$V_{CC} - 0.5V$	$V_{CC} - 0.1V$	—	V	TC1272, TC1274 (Note 1)
<b>Output Current @ 2.4 Volts</b>						
$V_{CC} = 5V$ TC1272	$I_{OH}$	—	10	—	mA	Note 2
$V_{CC} = 4V$ TC1274	$I_{OH}$	—	8	—	mA	
Output Current @ 0.4 Volts	$I_{OL}$	+10	30	—	mA	Note 2, Note 5
<b>Operating Current</b>						
$V_{CC} < 5.5V$ : TC1272, TC1274	$I_{CC}$	—	17	40	$\mu\text{A}$	Note 3
$V_{CCTP} < V_{CC} < 5.5V$ : TC1273	$I_{CC}$	—	17	40	$\mu\text{A}$	Note 3
$V_{CC} < V_{CCTP}$ : TC1273	$I_{CC}$	—	700	1200	$\mu\text{A}$	Note 3
$V_{CC}$ Trip Point (TC1272/3/4-5)	$V_{CCTP-5}$	4.50	4.62	4.75	V	Note 1
$V_{CC}$ Trip Point (TC1272/3/4-10)	$V_{CCTP-10}$	4.25	4.37	4.49	V	Note 1
$V_{CC}$ Trip Point (TC1272/3/4-15)	$V_{CCTP-15}$	4.00	4.12	4.24	V	Note 1
Output Capacitance	$C_{OUT}$	—	9	—	pF	
Internal Pull-Up Resistor	$R_P$	3	6	9	$k\Omega$	
<b>AC Electrical Characteristics: <math>T_A = -40^\circ\text{C}</math> to <math>+85^\circ\text{C}</math> unless otherwise noted. Typical values are at <math>T_A = +25^\circ\text{C}</math>.</b>						
RESET Active Time	$t_{RST}$	100	200	300	msec	
$V_{CC}$ Detect to $\overline{\text{RESET}}$ TC1272, TC1273	$t_{RPD1}$	—	20	50	$\mu\text{sec}$	$V_{CC(Low)} = 1V$ , Figure 4-2
$V_{CC}$ Detect to RESET - TC1274	$t_{RPD2}$	—	20	50	$\mu\text{sec}$	$V_{CC(Low)} = 1V$ , Figure 4-4
$V_{CC}$ Slew Rate ( $V_{CCTP(MAX)}$ to $V_{CCTP(MIN)}$ )	$t_F$	300	—	—	$\mu\text{sec}$	Figure 4-2, Figure 4-4
$V_{CC}$ Slew Rate ( $V_{CCTP(MIN)}$ to $V_{CCTP(MAX)}$ )	$t_R$	0	—	—	nsec	Figure 4-1, Figure 4-3
$V_{CC}$ Detect to $\overline{\text{RESET}}$ TC1272, TC1273	$t_{RPU1}$	100	200	300	msec	Note 4, Figure 4-1
$V_{CC}$ Detect to RESET - TC1274	$t_{RPU2}$	100	200	300	msec	Note 4, Figure 4-3

- Note 1:** All voltages referenced to ground.  
**Note 2:** Measured with  $V_{CC} \geq 2.7$  volts.  
**Note 3:** Measured with  $\overline{\text{RESET}}$  output open for TC1272/TC1273; measured with RESET output open for TC1274.  
**Note 4:**  $t_R = 5 \mu\text{sec}$ .  
**Note 5:** A 1  $k\Omega$  external resistor may be required in some applications for proper operation of the microprocessor reset control circuit when using the TC1273.

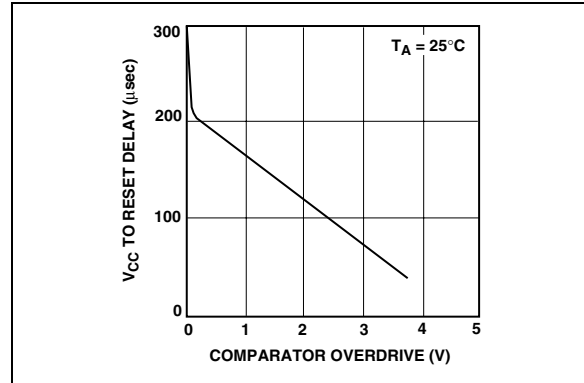
## 2.0 TYPICAL PERFORMANCE CURVES

**Note:** The graphs and tables provided following this note are a statistical summary based on a limited number of samples and are provided for informational purposes only. The performance characteristics listed herein are not tested or guaranteed. In some graphs or tables, the data presented may be outside the specified operating range (e.g., outside specified power supply range) and therefore outside the warranted range.

**Note:** Unless otherwise indicated,  $T_A = -40^{\circ}\text{C}$  to  $+85^{\circ}\text{C}$ . Typical values are at  $T_A = +25^{\circ}\text{C}$ .  
 Comparator Overdrive voltage ( $V_{OD}$ ) is defined in Figure 4-5



**FIGURE 2-1:**  $V_{CC}$  Detect to Reset (RESET).



**FIGURE 2-2:** Reset Delays vs. Comparator Overdrive.

# TC1272/TC1273/TC1274

---

---

## 3.0 PIN DESCRIPTIONS

The descriptions of the pins are listed in Table 3-1.

**TABLE 3-1: PIN FUNCTION TABLES**

Pin No.	Symbol	Function
1	$\overline{\text{RESET}}$	$\overline{\text{RESET}}$ Output (TC1272 and TC1273)
1	RESET	RESET Output (TC1274)
2	$V_{\text{CC}}$	Supply voltage (1.2V to 5.5V TC1272 and TC1273; 1.8V to 5.5V TC1274)
3	GND	Ground

### 3.1 $\overline{\text{RESET}}$ Output ( $\overline{\text{RESET}}$ )

The  $\overline{\text{RESET}}$  output remains low while  $V_{\text{CC}}$  is below the reset voltage threshold, and for 200 msec (100 msec min.) after  $V_{\text{CC}}$  rises above reset threshold. The output stage of the TC1272 is complimentary, while the output stage of the TC1273 is open-drain.

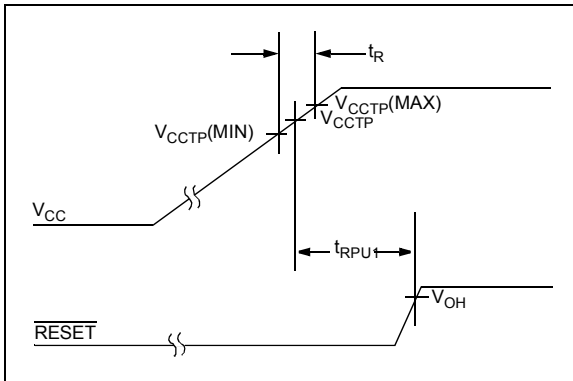
### 3.2 RESET Output (RESET)

The RESET output remains high while  $V_{\text{CC}}$  is below the reset voltage threshold, and for 200 msec (100 msec min.) after  $V_{\text{CC}}$  rises above reset threshold. The output stage of the TC1274 is complimentary.

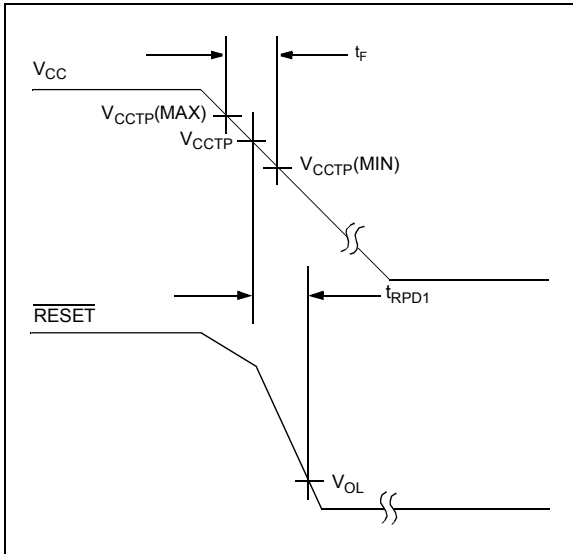
## 4.0 APPLICATIONS INFORMATION

### 4.1 Operation – Power Monitor

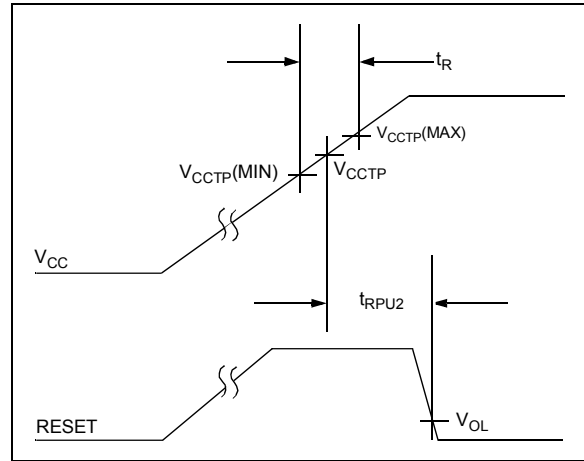
The TC1272/TC1273/TC1274 is designed to function as a voltage monitor for +5V systems. These devices provide a RESET signal to indicate that the  $V_{CC}$  has dropped below a preset voltage level that is selected by the suffix part number. In addition, the RESET is held active for approximately 200 ms after the power supply has risen above the voltage threshold level to allow time for the power supply to stabilize before system operation commences.



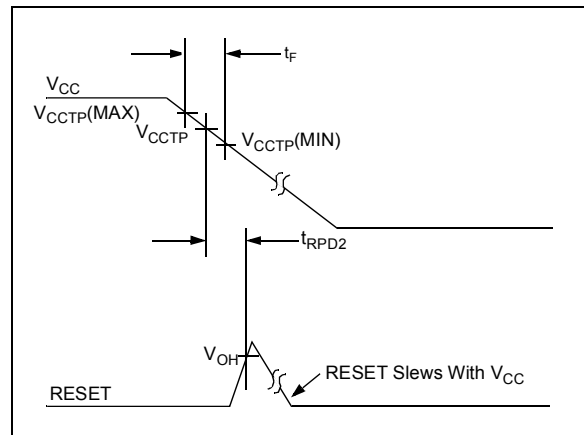
**FIGURE 4-1:** Timing Diagram – Power Up (TC1272/TC1273).



**FIGURE 4-2:** Timing Diagram – Power Down (TC1272/TC1273).



**FIGURE 4-3:** Timing Diagram – Power Up (TC1274).



**FIGURE 4-4:** Timing Diagram – Power Down (TC1274).

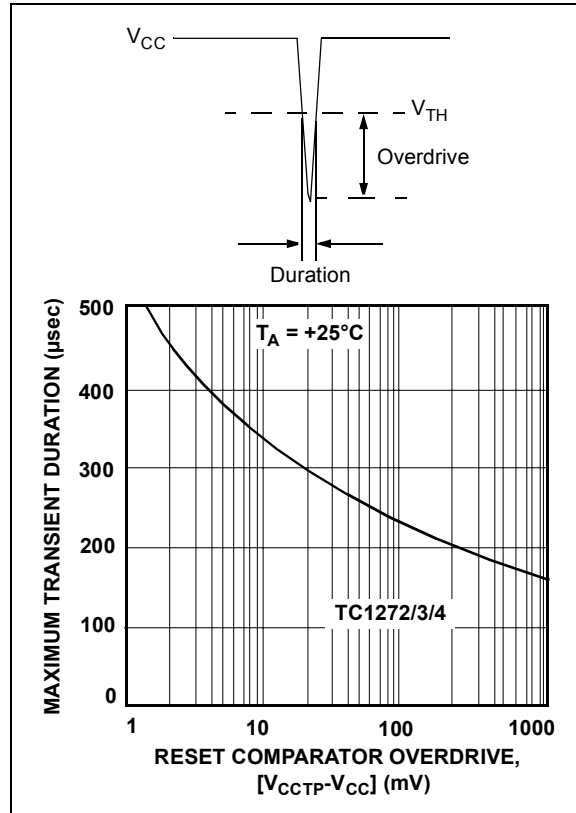
# TC1272/TC1273/TC1274

## 4.2 $V_{CC}$ Transient Rejection

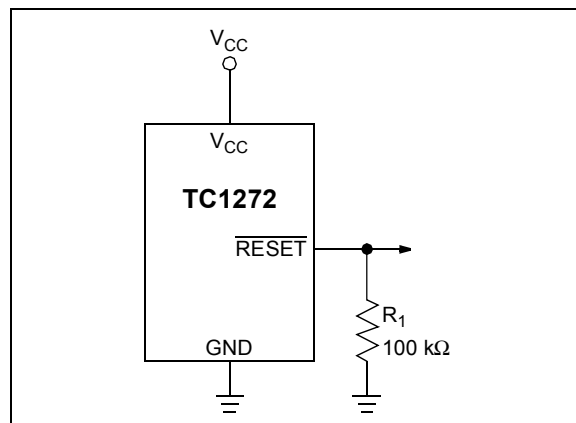
The TC1272/TC1273/TC1274 provides accurate  $V_{CC}$  monitoring and reset timing during power-up, power-down and brownout/sag conditions, and rejects negative-going transients (glitches) on the power supply line. Figure 4-5 shows the maximum transient duration vs. maximum negative excursion (overdrive) for glitch rejection. Any combination of duration and overdrive that lays **under** the curve will **not** generate a reset signal. Combinations above the curve are detected as a brownout or power-down condition. Transient immunity can be improved by adding a capacitor in close proximity to the  $V_{CC}$  pin of the TC1272/TC1273/TC1274.

## 4.3 $\overline{\text{RESET}}$ Signal Integrity During Power-Down

The TC1272  $\overline{\text{RESET}}$  output is valid to  $V_{CC} = 1.2\text{V}$ . Below this voltage the output becomes an "open circuit" and does not sink current. This means CMOS logic inputs to the  $\mu\text{P}$  will be floating at an undetermined voltage. Most digital systems are completely shut down well above this voltage. However, in situations where  $\overline{\text{RESET}}$  must be maintained valid to  $V_{CC} = 0\text{V}$ , a pull-down resistor must be connected from  $\overline{\text{RESET}}$  to ground to discharge stray capacitances and hold the output low (Figure 4-6). This resistor value, though not critical, should be chosen such that it does not appreciably load  $\overline{\text{RESET}}$  under normal operation (100 k $\Omega$  will be suitable for most applications). Similarly, a pull-up resistor to  $V_{CC}$  is required for the TC1274 to ensure a valid high  $\overline{\text{RESET}}$  for  $V_{CC}$  below 1.8V.



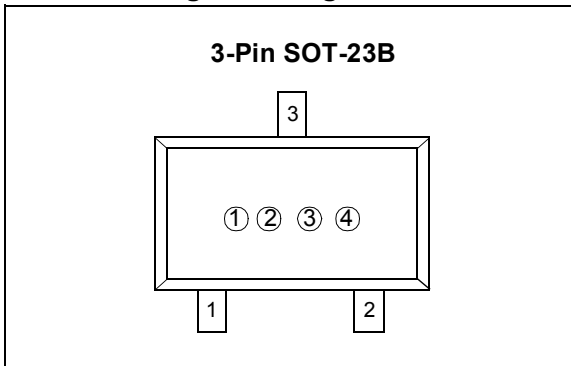
**FIGURE 4-5:** Maximum Transient Duration vs. Overdrive For Glitch Rejection At +25°C.



**FIGURE 4-6:** Ensuring Reset Valid To  $V_{CC} = 0\text{V}$ .

## 5.0 PACKAGING INFORMATION

### 5.1 Package Marking Information



①&② represents part number code + temperature range and voltage

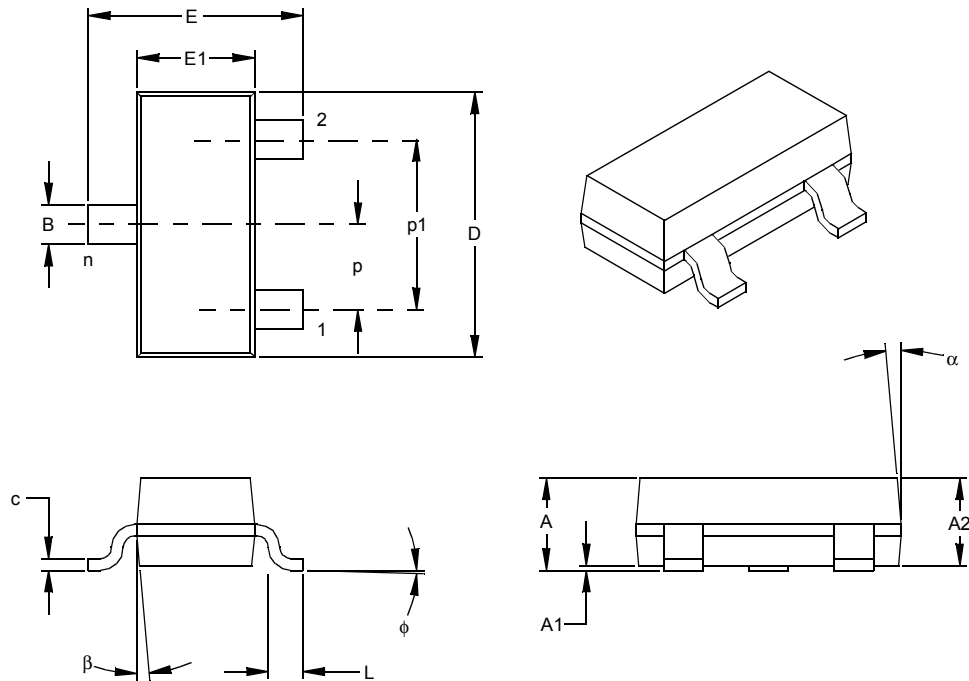
Reset $V_{CC}$ Threshold (V)	TC1272 Code	TC1273 Code	TC1274 Code
4.62	X1	Y1	Z1
4.37	X2	Y2	Z2
4.12	X3	Y3	Z3

③ represents year and quarter code

④ represents lot ID number

# TC1272/TC1273/TC1274

## 3-Lead Plastic Small Outline Transistor (TT) (SOT23)



Units		INCHES*			MILLIMETERS		
Dimension Limits		MIN	NOM	MAX	MIN	NOM	MAX
Number of Pins	n		3			3	
Pitch	p		.038			0.96	
Outside lead pitch (basic)	p1		.076			1.92	
Overall Height	A	.035	.040	.044	0.89	1.01	1.12
Molded Package Thickness	A2	.035	.037	.040	0.88	0.95	1.02
Standoff §	A1	.000	.002	.004	0.01	0.06	0.10
Overall Width	E	.083	.093	.104	2.10	2.37	2.64
Molded Package Width	E1	.047	.051	.055	1.20	1.30	1.40
Overall Length	D	.110	.115	.120	2.80	2.92	3.04
Foot Length	L	.014	.018	.022	0.35	0.45	0.55
Foot Angle	φ	0	5	10	0	5	10
Lead Thickness	c	.004	.006	.007	0.09	0.14	0.18
Lead Width	B	.015	.017	.020	0.37	0.44	0.51
Mold Draft Angle Top	α	0	5	10	0	5	10
Mold Draft Angle Bottom	β	0	5	10	0	5	10

\* Controlling Parameter

§ Significant Characteristic

### Notes:

Dimensions D and E1 do not include mold flash or protrusions. Mold flash or protrusions shall not exceed .010" (0.254mm) per side.

JEDEC Equivalent: TO-236

Drawing No. C04-104



# TC1272/TC1273/TC1274

## PRODUCT IDENTIFICATION SYSTEM

To order or obtain information, e.g., on pricing or delivery, refer to the factory or the listed sales office.

<u>PART NO.</u>	<u>XX</u>	<u>X</u>	<u>XX</u>
Device	Reset $V_{CC}$ Threshold	Temperature Range	Package
Device:	TC1272: 3-Pin Reset Monitor - Complementary TC1273: 3-Pin Reset Monitor - Open Drain TC1274: 3-Pin Reset Monitor - Complementary		
Reset $V_{CC}$ Threshold Voltage	5 = 4.62V 10 = 4.37V 15 = 4.12V		
Temperature Range:	E = -40°C to +85°C		
Package:	NB = Plastic Small Outline Transistor (SOT-23), 3-lead		

**Examples:**

- a) TC1272-10ENBTR: 4.37V Reset
- b) TC1272-15ENBTR: 4.12V Reset
- c) TC1272-5ENBTR: 4.62V Reset
  
- a) TC1273-10ENBTR: 4.37V Reset
- b) TC1273-15ENBTR: 4.12V Reset
- c) TC1273-5ENBTR: 4.62V Reset
  
- a) TC1274-10ENBTR: 4.37V Reset
- b) TC1274-15ENBTR: 4.12V Reset
- c) TC1274-5ENBTR: 4.62V Reset

## Sales and Support

### **Data Sheets**

Products supported by a preliminary Data Sheet may have an errata sheet describing minor operational differences and recommended workarounds. To determine if an errata sheet exists for a particular device, please contact one of the following:

1. Your local Microchip sales office
2. The Microchip Corporate Literature Center U.S. FAX: (480) 792-7277
3. The Microchip Worldwide Site ([www.microchip.com](http://www.microchip.com))

Please specify which device, revision of silicon and Data Sheet (include Literature #) you are using.

### **Customer Notification System**

Register on our web site ([www.microchip.com/cn](http://www.microchip.com/cn)) to receive the most current information on our products.

# TC1272/TC1273/TC1274

---

NOTES:

---

**Note the following details of the code protection feature on Microchip devices:**

- Microchip products meet the specification contained in their particular Microchip Data Sheet.
- Microchip believes that its family of products is one of the most secure families of its kind on the market today, when used in the intended manner and under normal conditions.
- There are dishonest and possibly illegal methods used to breach the code protection feature. All of these methods, to our knowledge, require using the Microchip products in a manner outside the operating specifications contained in Microchip's Data Sheets. Most likely, the person doing so is engaged in theft of intellectual property.
- Microchip is willing to work with the customer who is concerned about the integrity of their code.
- Neither Microchip nor any other semiconductor manufacturer can guarantee the security of their code. Code protection does not mean that we are guaranteeing the product as "unbreakable."

Code protection is constantly evolving. We at Microchip are committed to continuously improving the code protection features of our products. Attempts to break microchip's code protection feature may be a violation of the Digital Millennium Copyright Act. If such acts allow unauthorized access to your software or other copyrighted work, you may have a right to sue for relief under that Act.

---

Information contained in this publication regarding device applications and the like is intended through suggestion only and may be superseded by updates. It is your responsibility to ensure that your application meets with your specifications. No representation or warranty is given and no liability is assumed by Microchip Technology Incorporated with respect to the accuracy or use of such information, or infringement of patents or other intellectual property rights arising from such use or otherwise. Use of Microchip's products as critical components in life support systems is not authorized except with express written approval by Microchip. No licenses are conveyed, implicitly or otherwise, under any intellectual property rights.

**Trademarks**

The Microchip name and logo, the Microchip logo, KEELOQ, MPLAB, PIC, PICmicro, PICSTART, PRO MATE and PowerSmart are registered trademarks of Microchip Technology Incorporated in the U.S.A. and other countries.


FilterLab, microID, MXDEV, MXLAB, PICMASTER, SEEVAL and The Embedded Control Solutions Company are registered trademarks of Microchip Technology Incorporated in the U.S.A.

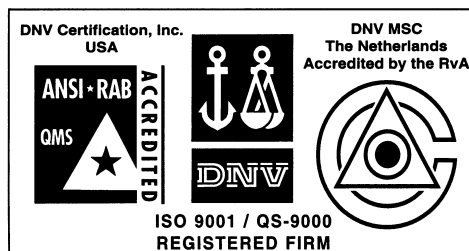
Accuron, Application Maestro, dsPIC, dsPICDEM, dsPICDEM.net, ECONOMONITOR, FanSense, FlexROM, fuzzyLAB, In-Circuit Serial Programming, ICSP, ICEPIC, microPort, Migratable Memory, MPASM, MPLIB, MPLINK, MPSIM, PICC, PICkit, PICDEM, PICDEM.net, PowerCal, PowerInfo, PowerMate, PowerTool, rLAB, rPIC, Select Mode, SmartSensor, SmartShunt, SmartTel and Total Endurance are trademarks of Microchip Technology Incorporated in the U.S.A. and other countries.

Serialized Quick Turn Programming (SQTP) is a service mark of Microchip Technology Incorporated in the U.S.A.

All other trademarks mentioned herein are property of their respective companies.

© 2003, Microchip Technology Incorporated, Printed in the U.S.A., All Rights Reserved.

 Printed on recycled paper.



*Microchip received QS-9000 quality system certification for its worldwide headquarters, design and wafer fabrication facilities in Chandler and Tempe, Arizona in July 1999 and Mountain View, California in March 2002. The Company's quality system processes and procedures are QS-9000 compliant for its PICmicro® 8-bit MCUs, KEELOQ® code hopping devices, Serial EEPROMs, microperipherals, non-volatile memory and analog products. In addition, Microchip's quality system for the design and manufacture of development systems is ISO 9001 certified.*



## WORLDWIDE SALES AND SERVICE

### AMERICAS

#### Corporate Office

2355 West Chandler Blvd.  
Chandler, AZ 85224-6199  
Tel: 480-792-7200 Fax: 480-792-7277  
Technical Support: 480-792-7627  
Web Address: <http://www.microchip.com>

#### Atlanta

3780 Mansell Road, Suite 130  
Alpharetta, GA 30022  
Tel: 770-640-0034 Fax: 770-640-0307

#### Boston

2 Lan Drive, Suite 120  
Westford, MA 01886  
Tel: 978-692-3848 Fax: 978-692-3821

#### Chicago

333 Pierce Road, Suite 180  
Itasca, IL 60143  
Tel: 630-285-0071 Fax: 630-285-0075

#### Dallas

4570 Westgrove Drive, Suite 160  
Addison, TX 75001  
Tel: 972-818-7423 Fax: 972-818-2924

#### Detroit

Tri-Atria Office Building  
32255 Northwestern Highway, Suite 190  
Farmington Hills, MI 48334  
Tel: 248-538-2250 Fax: 248-538-2260

#### Kokomo

2767 S. Albright Road  
Kokomo, Indiana 46902  
Tel: 765-864-8360 Fax: 765-864-8387

#### Los Angeles

18201 Von Karman, Suite 1090  
Irvine, CA 92612  
Tel: 949-263-1888 Fax: 949-263-1338

#### Phoenix

2355 West Chandler Blvd.  
Chandler, AZ 85224-6199  
Tel: 480-792-7966 Fax: 480-792-4338

#### San Jose

Microchip Technology Inc.  
2107 North First Street, Suite 590  
San Jose, CA 95131  
Tel: 408-436-7950 Fax: 408-436-7955

#### Toronto

6285 Northam Drive, Suite 108  
Mississauga, Ontario L4V 1X5, Canada  
Tel: 905-673-0699 Fax: 905-673-6509

### ASIA/PACIFIC

#### Australia

Microchip Technology Australia Pty Ltd  
Marketing Support Division  
Suite 22, 41 Rawson Street  
Epping 2121, NSW  
Australia  
Tel: 61-2-9868-6733 Fax: 61-2-9868-6755

#### China - Beijing

Microchip Technology Consulting (Shanghai)  
Co., Ltd., Beijing Liaison Office  
Unit 915  
Bei Hai Wan Tai Bldg.  
No. 6 Chaoyangmen Beidajie  
Beijing, 100027, No. China  
Tel: 86-10-85282100 Fax: 86-10-85282104

#### China - Chengdu

Microchip Technology Consulting (Shanghai)  
Co., Ltd., Chengdu Liaison Office  
Rm. 2401-2402, 24th Floor,  
Ming Xing Financial Tower  
No. 88 TIDU Street  
Chengdu 610016, China  
Tel: 86-28-86766200 Fax: 86-28-86766599

#### China - Fuzhou

Microchip Technology Consulting (Shanghai)  
Co., Ltd., Fuzhou Liaison Office  
Unit 28F, World Trade Plaza  
No. 71 Wusi Road  
Fuzhou 350001, China  
Tel: 86-591-7503506 Fax: 86-591-7503521

#### China - Hong Kong SAR

Microchip Technology Hongkong Ltd.  
Unit 901-6, Tower 2, Metroplaza  
223 Hing Fong Road  
Kwai Fong, N.T., Hong Kong  
Tel: 852-2401-1200 Fax: 852-2401-3431

#### China - Shanghai

Microchip Technology Consulting (Shanghai)  
Co., Ltd.  
Room 701, Bldg. B  
Far East International Plaza  
No. 317 Xian Xia Road  
Shanghai, 200051  
Tel: 86-21-6275-5700 Fax: 86-21-6275-5060

#### China - Shenzhen

Microchip Technology Consulting (Shanghai)  
Co., Ltd., Shenzhen Liaison Office  
Rm. 1812, 18/F, Building A, United Plaza  
No. 5022 Binhe Road, Futian District  
Shenzhen 518033, China  
Tel: 86-755-82901380 Fax: 86-755-82966626

#### China - Qingdao

Rm. B505A, Fullhope Plaza,  
No. 12 Hong Kong Central Rd.  
Qingdao 266071, China  
Tel: 86-532-5027355 Fax: 86-532-5027205

#### India

Microchip Technology Inc.  
India Liaison Office  
Marketing Support Division  
Divyasree Chambers  
1 Floor, Wing A (A3/A4)  
No. 11, O'Shaughnessy Road  
Bangalore, 560 025, India  
Tel: 91-80-2290061 Fax: 91-80-2290062

### Japan

Microchip Technology Japan K.K.  
Benex S-1 6F  
3-18-20, Shinyokohama  
Kohoku-Ku, Yokohama-shi  
Kanagawa, 222-0033, Japan  
Tel: 81-45-471-6166 Fax: 81-45-471-6122

### Korea

Microchip Technology Korea  
168-1, Youngbo Bldg. 3 Floor  
Samsung-Dong, Kangnam-Ku  
Seoul, Korea 135-882  
Tel: 82-2-554-7200 Fax: 82-2-558-5934

### Singapore

Microchip Technology Singapore Pte Ltd.  
200 Middle Road  
#07-02 Prime Centre  
Singapore, 188980  
Tel: 65-6334-8870 Fax: 65-6334-8850

### Taiwan

Microchip Technology (Barbados) Inc.,  
Taiwan Branch  
11F-3, No. 207  
Tung Hua North Road  
Taipei, 105, Taiwan  
Tel: 886-2-2717-7175 Fax: 886-2-2545-0139

### EUROPE

#### Austria

Microchip Technology Austria GmbH  
Durisolstrasse 2  
A-4600 Wels  
Austria  
Tel: 43-7242-2244-399  
Fax: 43-7242-2244-393

#### Denmark

Microchip Technology Nordic ApS  
Regus Business Centre  
Lautrup høj 1-3  
Ballerup DK-2750 Denmark  
Tel: 45 4420 9895 Fax: 45 4420 9910

#### France

Microchip Technology SARL  
Parc d'Activite du Moulin de Massy  
43 Rue du Saule Trapu  
Batiment A - 1er Etage  
91300 Massy, France  
Tel: 33-1-69-53-63-20 Fax: 33-1-69-30-90-79

#### Germany

Microchip Technology GmbH  
Steinheilstrasse 10  
D-85737 Ismaning, Germany  
Tel: 49-89-627-144-0  
Fax: 49-89-627-144-44

#### Italy

Microchip Technology SRL  
Via Quasimodo, 12  
20025 Legnano (MI)  
Milan, Italy  
Tel: 39-0331-742611 Fax: 39-0331-466781

#### United Kingdom

Microchip Ltd.  
505 Eskdale Road  
Winnersh Triangle  
Wokingham  
Berkshire, England RG41 5TU  
Tel: 44 118 921 5869 Fax: 44-118 921-5820

03/25/03