

## Monolithic Auto-Zeroed Operational Amplifiers

### FEATURES

- **First Monolithic Chopper-Stabilized Amplifier With On-Chip Nulling Capacitors**
- **Offset Voltage** ..... 5 $\mu$ V
- **Offset Voltage Drift** ..... 0.05 $\mu$ V/ $^{\circ}$ C
- **Low Supply Current** ..... 350 $\mu$ A
- **High Common-Mode Rejection** ..... 116dB
- **Single Supply Operation** ..... 4.5V to 16V
- **High Slew Rate** ..... 2.5V/ $\mu$ sec
- **Wide Bandwidth** ..... 1.5MHz
- **High Open-Loop Voltage Gain**  
( $R_L = 10k\Omega$ ) ..... 120dB
- **Low Input Voltage Noise**  
(0.1Hz to 1Hz) ..... 0.65 $\mu$ V<sub>P-P</sub>
- **Pin Compatible With ICL7650**
- **Lower System Parts Count**

### ORDERING INFORMATION

Part No.	Package	Temperature Range	Maximum Offset Voltage
TC911ACOA	8-Pin SOIC	0 $^{\circ}$ C to +70 $^{\circ}$ C	15 $\mu$ V
TC911ACPA	8-Pin Plastic DIP	0 $^{\circ}$ C to +70 $^{\circ}$ C	15 $\mu$ V
TC911BCOA	8-Pin SOIC	0 $^{\circ}$ C to +70 $^{\circ}$ C	30 $\mu$ V
TC911BCPA	8-Pin Plastic DIP	0 $^{\circ}$ C to +70 $^{\circ}$ C	30 $\mu$ V

### GENERAL DESCRIPTION

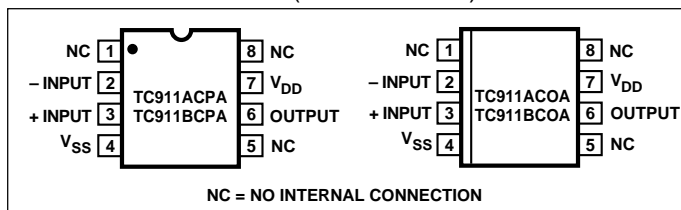
The TC911 CMOS auto-zeroed operational amplifier is the first complete monolithic chopper-stabilized amplifier. Chopper operational amplifiers like the ICL7650/7652 and LTC1052 require user-supplied, external offset compensation storage capacitors. **External capacitors are not required with the TC911.** Just as easy to use as the conventional OP07 type amplifier, the TC911 significantly reduces offset voltage errors. Pinout matches the OP07/741/7650 8-pin mini-DIP configuration.

Several system benefits arise by eliminating the external chopper capacitors: lower system parts count, reduced assembly time and cost, greater system reliability, reduced PC board layout effort and greater board area utilization. Space savings can be significant in multiple-amplifier designs.

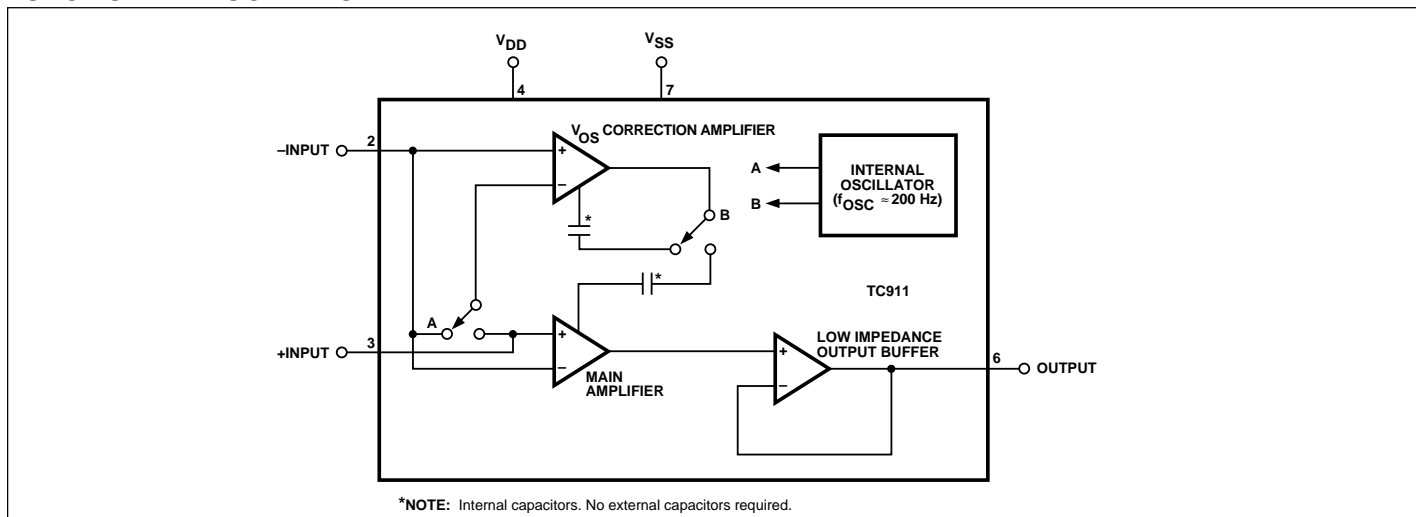
Electrical specifications include 15 $\mu$ V maximum offset voltage, 0.15 $\mu$ V/ $^{\circ}$ C maximum offset voltage temperature coefficient. Offset voltage error is five times lower than the premium OP07E bipolar device. The TC911 improves offset drift performance by eight times.

The TC911 operates from dual or single power supplies. Supply current is typically 350 $\mu$ A. Single 4.5V to 16V supply operation is possible, making single 9V battery operation possible. The TC911 is available in 2 package types: 8-pin plastic DIP and SOIC.

### PIN CONFIGURATION (SOIC and DIP)



### FUNCTIONAL BLOCK DIAGRAM



# Monolithic Auto-Zeroed Operational Amplifiers

## TC911A TC911B

### ABSOLUTE MAXIMUM RATINGS\*

Total Supply Voltage ( $V_{DD}$ to $V_{SS}$ )	+18V
Input Voltage	( $V_{DD} + 0.3V$ ) to ( $V_{SS} - 0.3V$ )
Current into Any Pin	10mA
While Operating	100 $\mu$ A
Storage Temperature Range	-65°C to +150°C
Lead Temperature (Soldering, 10 sec)	+300°C
Operating Temperature Range	
C Device	0°C to +70°C

### Package Power Dissipation ( $T_A \leq 70^\circ\text{C}$ )

Plastic DIP	730mW
Plastic SOIC	470mW

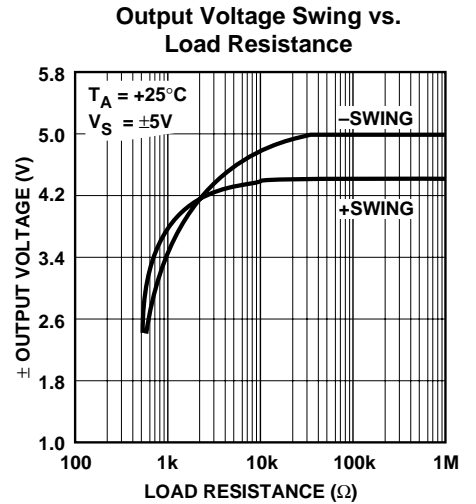
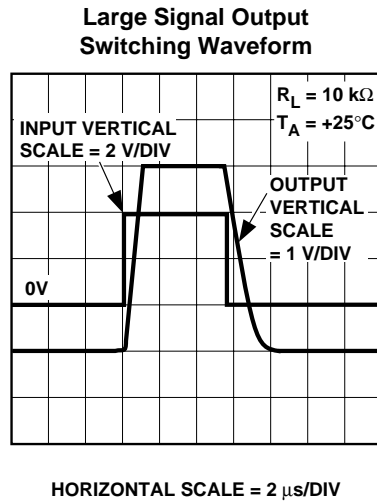
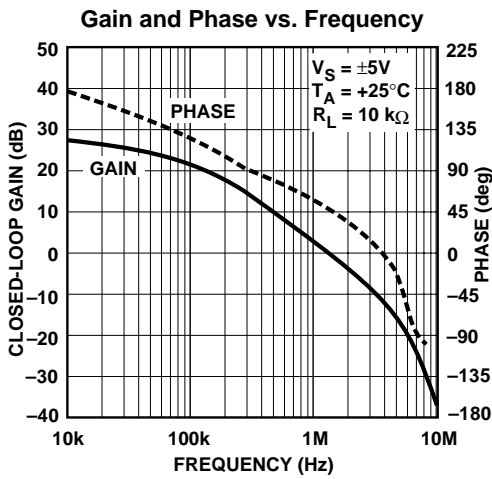
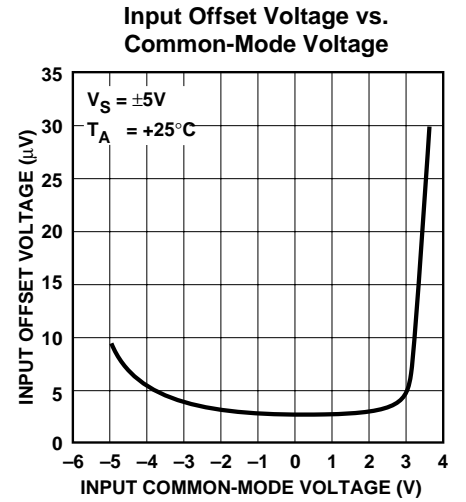
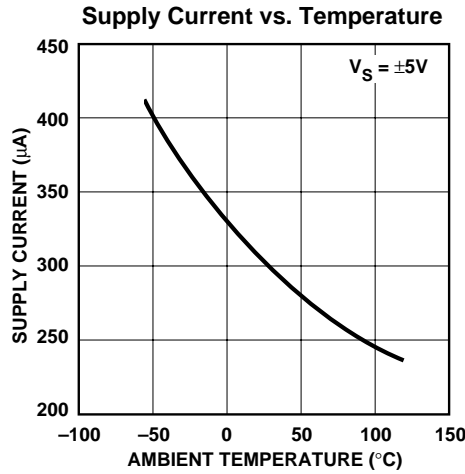
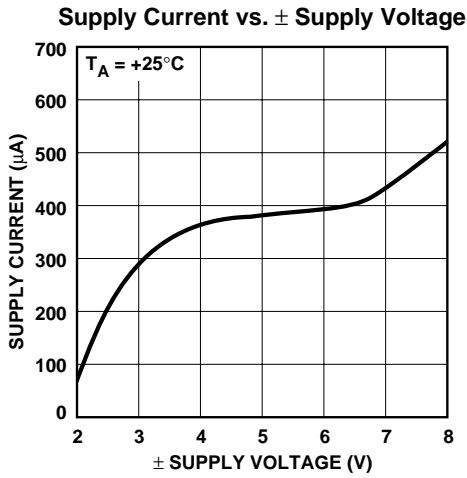
\*Static-sensitive device. Unused devices should be stored in conductive material. Stresses above those listed under "Absolute Maximum Ratings" may cause permanent damage to the device. These are stress ratings only and functional operation of the device at these or any other conditions above those indicated in the operational sections of the specifications is not implied.

### ELECTRICAL CHARACTERISTICS: $V_S = \pm 5V$ , $T_A = +25^\circ\text{C}$ , unless otherwise indicated.

Symbol	Parameter	Test Conditions	TC911A			TC911B			Unit
			Min	Typ	Max	Min	Typ	Max	
$V_{OS}$	Input Offset Voltage	$T_A = +25^\circ\text{C}$	—	5	15	—	15	30	$\mu\text{V}$
$TCV_{OS}$	Average Temperature	$0^\circ\text{C} \leq T_A \leq +70^\circ\text{C}$	—	0.05	0.15	—	0.1	0.25	$\mu\text{V}/^\circ\text{C}$
	Coefficient of Input Offset Voltage	$-25^\circ\text{C} \leq T_A \leq +85^\circ\text{C}$ (Note 1)	—	0.05	0.15	—	0.1	0.25	$\mu\text{V}/^\circ\text{C}$
$I_B$	Average Input Bias Current	$T_A = +25^\circ\text{C}$	—	—	70	—	—	120	pA
		$0^\circ\text{C} \leq T_A \leq +70^\circ\text{C}$	—	—	3	—	—	4	nA
		$-25^\circ\text{C} \leq T_A \leq +85^\circ\text{C}$	—	—	4	—	—	6	nA
$I_{OS}$	Average Input Offset Current	$T_A = +25^\circ\text{C}$	—	5	20	—	10	40	pA
		$T_A = +85^\circ\text{C}$	—	—	1	—	—	1	nA
$e_N$	Input Voltage Noise	0.1 to 1 Hz, $R_S \leq 100\Omega$	—	0.65	—	—	0.65	—	$\mu\text{V}_{P-P}$
		0.1 to 10 Hz, $R_S \leq 100\Omega$	—	11	—	—	11	—	$\mu\text{V}_{P-P}$
CMRR	Common-Mode Rejection Ratio	$V_{SS} \leq V_{CM} \leq V_{DD} - 2.2$	110	116	—	105	110	—	dB
CMVR	Common-Mode Voltage Range		$V_{SS}$	—	$V_{DD} - 2$	$V_{SS}$	—	$V_{DD} - 2$	V
$A_{OL}$	Open-Loop Voltage Gain	$R_L = 10\text{ k}\Omega$ , $V_{OUT} = \pm 4V$	115	120	—	110	120	—	dB
$V_{OUT}$	Output Voltage Swing	$R_L = 10\text{ k}\Omega$	$V_{SS} + 0.3$	—	$V_{DD} - 0.9$	$V_{SS} + 0.3$	—	$V_{DD} - 0.9$	V
BW	Closed Loop Bandwidth	Closed Loop Gain = +1	—	1.5	—	—	1.5	—	MHz
SR	Slew Rate	$R_L = 10\text{ k}\Omega$ , $C_L = 50\text{ pF}$	—	2.5	—	—	2.5	—	V/ $\mu\text{sec}$
PSRR	Power Supply Rejection Ratio	$\pm 3.3V$ to $\pm 5.5V$	112	—	—	105	—	—	dB
$V_S$	Operating Supply Voltage Range	Split Supply	$\pm 3.3$	—	$\pm 8$	$\pm 3.3$	—	$\pm 8$	V
		Single Supply	6.5	—	16	6.5	—	16	V
$I_S$	Quiescent Supply Current	$V_S = \pm 5V$	—	350	600	—	—	800	$\mu\text{A}$

NOTES: 1. Characterized; not 100% tested.

### TYPICAL CHARACTERISTICS



## TC911A TC911/B

### Pin Compatibility

The CMOS TC911 is pin compatible with the industry standard ICL7650 chopper-stabilized amplifier. The ICL7650 must use external 0.1μF capacitors connected at pins 1 and 8. **With the TC911, external offset voltage error canceling capacitors are not required.** On the TC911 pins 1, 8 and 5 are not connected internally. The ICL7650 uses pin 5 as an optional output clamp connection. External chopper capacitors and clamp connections are not necessary with the TC911. External circuits connected to pins 1, 8 and 5 will have no effect. The TC911 can be quickly evaluated in existing ICL7650 designs. Since external capacitors are not required, system part count, assembly time, and total system cost are reduced. Reliability is increased and PC board layout eased by having the error storage capacitors integrated on the TC911 chip.

The TC911 pinout matches many existing op-amps: 741, LM101, LM108, OP05–OP08, OP-20, OP-21, ICL7650 and ICL7652. In many applications operating from +5V supplies the TC911 offers superior electrical performance and can be a functional pin-compatible replacement. Offset voltage correction potentiometers, compensation capacitors, and chopper-stabilization capacitors can be removed when retrofitting existing equipment designs.

### Thermocouple Errors

Heating one joint of a loop made from two different metallic wires causes current flow. This is known as the Seebeck effect. By breaking the loop, an open circuit voltage

(Seebeck voltage) can be measured. Junction temperature and metal type determine the magnitude. Typical values are 0.1μV/°C to 10μV/°C. Thermal-induced voltages can be many times larger than the TC911 offset voltage drift. Unless unwanted thermocouple potentials can be controlled, system performance will be less than optimum.

Unwanted thermocouple junctions are created when leads are soldered or sockets/connectors are used. Low thermo-electric coefficient solder can reduce errors. A 60% Sn/36% Pb solder has 1/10 the thermal voltage of common 64% Sn/36% Pb solder at a copper junction.

The number and type of dissimilar metallic junctions in the input circuit loop should be balanced. If the junctions are kept at the same temperature, their summation will add to zero-canceling errors (Figure 1).

Shielding precision analog circuits from air currents — especially those caused by power dissipating components and fans — will minimize temperature gradients and thermocouple-induced errors.

### Avoiding Latch-Up

Junction-isolated CMOS circuits inherently contain a parasitic p-n-p-n transistor circuit. Voltages exceeding the supplies by 0.3V should not be applied to the device pins. Larger voltages can turn the p-n-p-n device on, causing excessive device power supply current and excessive power dissipation. TC911 power supplies should be established at the same time or before input signals are applied. If this is not possible input current should be limited to 0.1 mA to avoid triggering the p-n-p-n structure.

### Overload Recovery

The TC911 recovers quickly from the output saturation. Typical recovery time from positive output saturation is 20msec. Negative output saturation recovery time is typically 5msec.

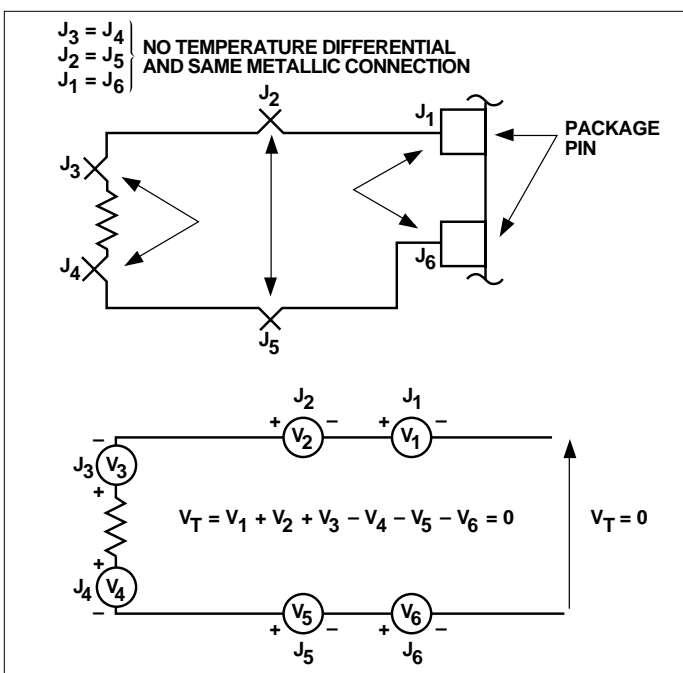
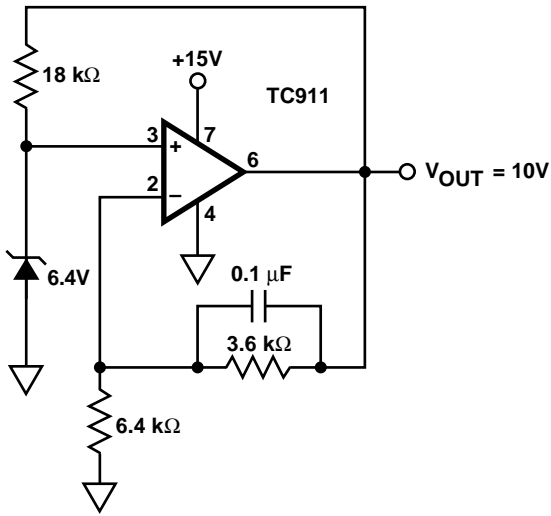


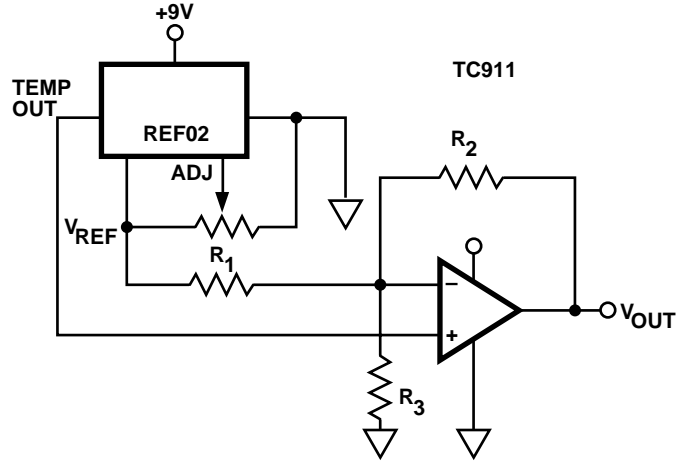
Figure 1. Unwanted Thermocouple Errors Eliminated by Reducing Thermal Gradients and Balancing Junctions

### TYPICAL APPLICATIONS

10-Volt Precision Reference



Thermometer Circuit

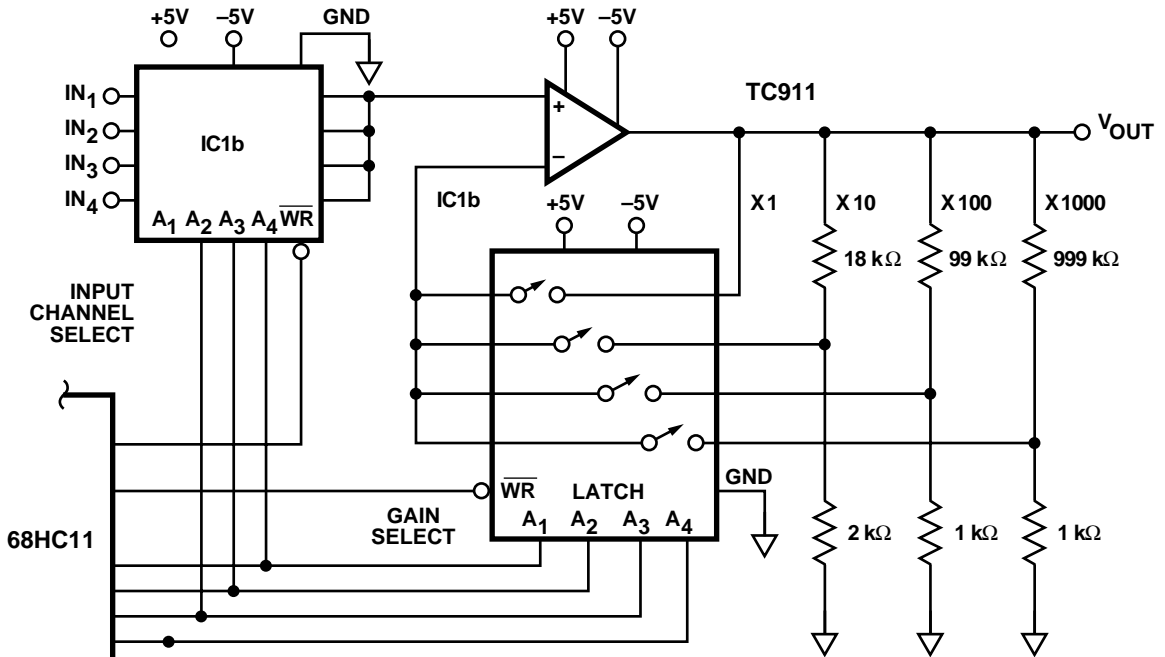


$$V_{OUT} = V_{TEMP} \left[ 1 + R_2 \left( \frac{R_3 + R_1}{R_3 \times R_1} \right) \right] - \left[ V_{REF} \frac{R_2}{R_1} \right]$$

$$\frac{dV_{OUT}}{dT} = \left[ 1 + R_2 \left( \frac{R_3 + R_1}{R_3 \times R_1} \right) \right] \frac{d(V_{TEMP})}{dT} \approx K (2.1 \text{ mV}/^\circ\text{C})$$

$$K = 1 + \frac{R_2}{R_3 \times R_1}$$

Programmable Gain Amplifier With Input Multiplexer

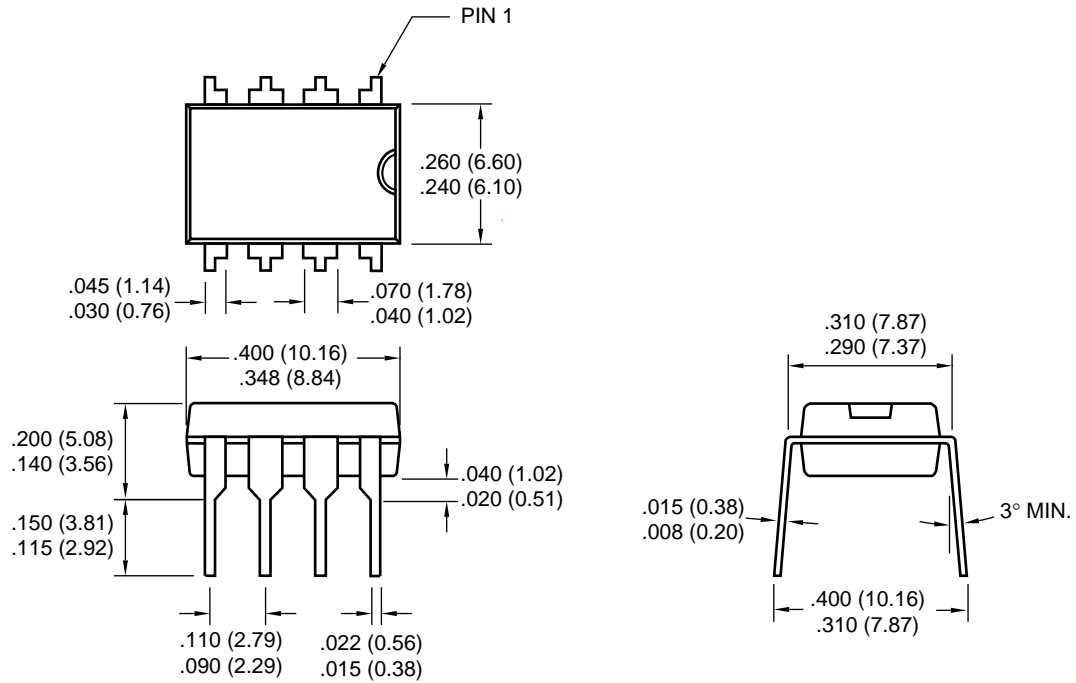


IC1a, b = Quad Analog Switch

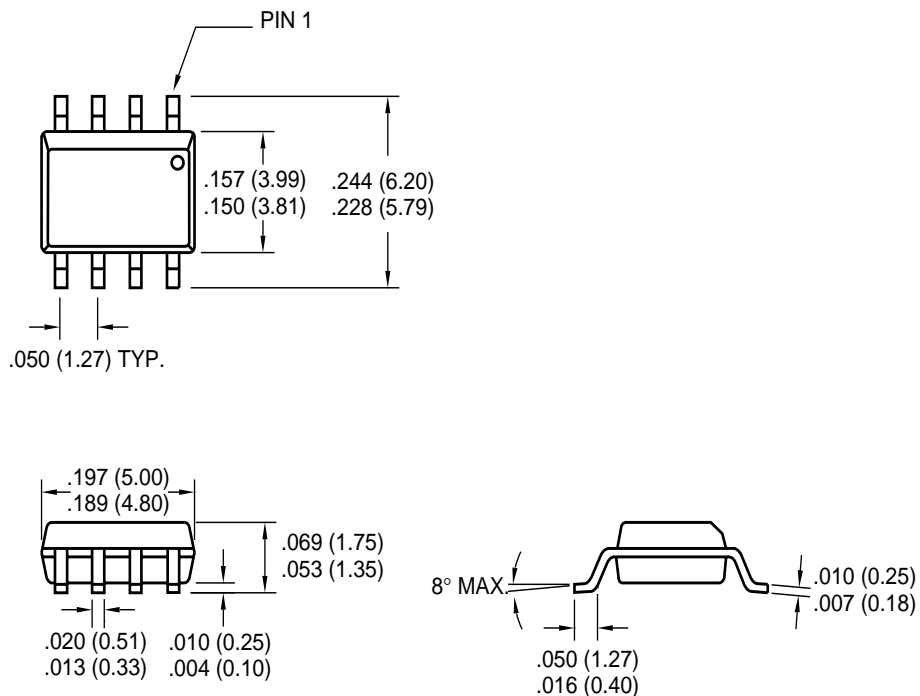
# Monolithic Auto-Zeroed Operational Amplifiers

TC911A  
TC911/B

## PACKAGE DIMENSIONS



8-Pin SOIC (Narrow)



Dimensions: inches (mm)



## WORLDWIDE SALES AND SERVICE

### AMERICAS

#### Corporate Office

2355 West Chandler Blvd.  
Chandler, AZ 85224-6199  
Tel: 480-792-7200 Fax: 480-792-7277  
Technical Support: 480-792-7627  
Web Address: <http://www.microchip.com>

#### Rocky Mountain

2355 West Chandler Blvd.  
Chandler, AZ 85224-6199  
Tel: 480-792-7966 Fax: 480-792-7456

#### Atlanta

500 Sugar Mill Road, Suite 200B  
Atlanta, GA 30350  
Tel: 770-640-0034 Fax: 770-640-0307

#### Austin

Analog Product Sales  
8303 MoPac Expressway North  
Suite A-201  
Austin, TX 78759  
Tel: 512-345-2030 Fax: 512-345-6085

#### Boston

2 Lan Drive, Suite 120  
Westford, MA 01886  
Tel: 978-692-3848 Fax: 978-692-3821

#### Boston

Analog Product Sales  
Unit A-8-1 Millbrook Tarry Condominium  
97 Lowell Road  
Concord, MA 01742  
Tel: 978-371-6400 Fax: 978-371-0050

#### Chicago

333 Pierce Road, Suite 180  
Itasca, IL 60143  
Tel: 630-285-0071 Fax: 630-285-0075

#### Dallas

4570 Westgrove Drive, Suite 160  
Addison, TX 75001  
Tel: 972-818-7423 Fax: 972-818-2924

#### Dayton

Two Prestige Place, Suite 130  
Miamisburg, OH 45342  
Tel: 937-291-1654 Fax: 937-291-9175

#### Detroit

Tri-Atria Office Building  
32255 Northwestern Highway, Suite 190  
Farmington Hills, MI 48334  
Tel: 248-538-2250 Fax: 248-538-2260

#### Los Angeles

18201 Von Karman, Suite 1090  
Irvine, CA 92612  
Tel: 949-263-1888 Fax: 949-263-1338

#### Mountain View

Analog Product Sales  
1300 Terra Bella Avenue  
Mountain View, CA 94043-1836  
Tel: 650-968-9241 Fax: 650-967-1590

#### New York

150 Motor Parkway, Suite 202  
Hauppauge, NY 11788  
Tel: 631-273-5305 Fax: 631-273-5335

#### San Jose

Microchip Technology Inc.  
2107 North First Street, Suite 590  
San Jose, CA 95131  
Tel: 408-436-7950 Fax: 408-436-7955

#### Toronto

6285 Northam Drive, Suite 108  
Mississauga, Ontario L4V 1X5, Canada  
Tel: 905-673-0699 Fax: 905-673-6509

### ASIA/PACIFIC

#### China - Beijing

Microchip Technology Beijing Office  
Unit 915  
New China Hong Kong Manhattan Bldg.  
No. 6 Chaoyangmen Beidajie  
Beijing, 100027, No. China  
Tel: 86-10-85282100 Fax: 86-10-85282104

#### China - Shanghai

Microchip Technology Shanghai Office  
Room 701, Bldg. B  
Far East International Plaza  
No. 317 Xian Xia Road  
Shanghai, 200051  
Tel: 86-21-6275-5700 Fax: 86-21-6275-5060

#### Hong Kong

Microchip Asia Pacific  
RM 2101, Tower 2, Metroplaza  
223 Hing Fong Road  
Kwai Fong, N.T., Hong Kong  
Tel: 852-2401-1200 Fax: 852-2401-3431

#### India

Microchip Technology Inc.  
India Liaison Office  
Divyasree Chambers  
1 Floor, Wing A (A3/A4)  
No. 11, OIShaughnessey Road  
Bangalore, 560 025, India  
Tel: 91-80-2290061 Fax: 91-80-2290062

#### Japan

Microchip Technology Intl. Inc.  
Benex S-1 6F  
3-18-20, Shinyokohama  
Kohoku-Ku, Yokohama-shi  
Kanagawa, 222-0033, Japan  
Tel: 81-45-471-6166 Fax: 81-45-471-6122

#### Korea

Microchip Technology Korea  
168-1, Youngbo Bldg. 3 Floor  
Samsung-Dong, Kangnam-Ku  
Seoul, Korea  
Tel: 82-2-554-7200 Fax: 82-2-558-5934

### ASIA/PACIFIC (continued)

#### Singapore

Microchip Technology Singapore Pte Ltd.  
200 Middle Road  
#07-02 Prime Centre  
Singapore, 188980  
Tel: 65-334-8870 Fax: 65-334-8850

#### Taiwan

Microchip Technology Taiwan  
11F-3, No. 207  
Tung Hua North Road  
Taipei, 105, Taiwan  
Tel: 886-2-2717-7175 Fax: 886-2-2545-0139

### EUROPE

#### Australia

Microchip Technology Australia Pty Ltd  
Suite 22, 41 Rawson Street  
Epping 2121, NSW  
Australia  
Tel: 61-2-9868-6733 Fax: 61-2-9868-6755

#### Denmark

Microchip Technology Denmark ApS  
Regus Business Centre  
Lautrup høj 1-3  
Ballerup DK-2750 Denmark  
Tel: 45 4420 9895 Fax: 45 4420 9910

#### France

Arizona Microchip Technology SARL  
Parc d'Activite du Moulin de Massy  
43 Rue du Saule Trapu  
Batiment A - 1er Etage  
91300 Massy, France  
Tel: 33-1-69-53-63-20 Fax: 33-1-69-30-90-79

#### Germany

Arizona Microchip Technology GmbH  
Gustav-Heinemann Ring 125  
D-81739 Munich, Germany  
Tel: 49-89-627-144 0 Fax: 49-89-627-144-44

#### Germany

Analog Product Sales  
Lochhamer Strasse 13  
D-82152 Martinsried, Germany  
Tel: 49-89-895650-0 Fax: 49-89-895650-22

#### Italy

Arizona Microchip Technology SRL  
Centro Direzionale Colleoni  
Palazzo Taurus 1 V. Le Colleoni 1  
20041 Agrate Brianza  
Milan, Italy  
Tel: 39-039-65791-1 Fax: 39-039-6899883

#### United Kingdom

Arizona Microchip Technology Ltd.  
505 Eskdale Road  
Winnersh Triangle  
Wokingham  
Berkshire, England RG41 5TU  
Tel: 44 118 921 5869 Fax: 44-118 921-5820

All rights reserved. © 2001 Microchip Technology Incorporated. Printed in the USA. 1/01  Printed on recycled paper.

01/09/01

Information contained in this publication regarding device applications and the like is intended through suggestion only and may be superseded by updates. It is your responsibility to ensure that your application meets with your specifications. No representation or warranty is given and no liability is assumed by Microchip Technology Incorporated with respect to the accuracy or use of such information, or infringement of patents or other intellectual property rights arising from such use or otherwise. Use of Microchip's products as critical components in life support systems is not authorized except with express written approval by Microchip. No licenses are conveyed, implicitly or otherwise, except as maybe explicitly expressed herein, under any intellectual property rights. The Microchip logo and name are registered trademarks of Microchip Technology Inc. in the U.S.A. and other countries. All rights reserved. All other trademarks mentioned herein are the property of their respective companies.