

# TC9190N, TC9191P

## VFL/LED DYNAMIC DRIVERS

T-52-13-09  
T-52-13-07  
Unit in mm

The TC9190N and TC9191P are VFL(Fluorescent display) and LED dynamic drivers for output extension of NEW-DTS series.

### TC9190N

- . Connected with a controller by 4 serial lines.
- . 8-segment output and 7-digit output allows indication of maximum  $8 \times 7 = 56$  segments.
- . Built-in high breakdown-voltage driver allows VFL to directly drive. (P-ch open drain type where output pull-down resistance is built-in)
- . 4 built-in input ports.
- . Package with shrink DIP-28 pins.

### TC9191P

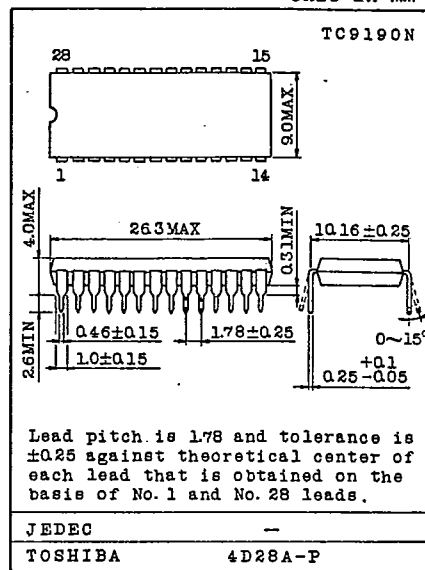
- . Connected with a controller by 3 serial lines.
- . 8-segment output and 5-digit output allows indication of maximum  $8 \times 5 = 40$  segments.
- . Built-in large-current driver allows LED to directly drive.
- . Package with DIP-20pins.
- . C<sup>2</sup>MOS construction and low power dissipation.

### MAXIMUM RATINGS (Ta=25°C)

CHARACTERISTIC	SYMBOL	RATING	UNIT
Power Supply Voltage	VDD	-0.3~7.0	V
Input Voltage	VIN	-0.3~VDD+0.3	V
Output Voltage	VOL	VDD-35 (Note 1)	V
Output Current	IOH	50 (Note 2)	mA
Power Dissipation	PD	350	mW
Operating Temperature	Topr	-30~75	°C
Storage Temperature	Tstg	-55~125	°C

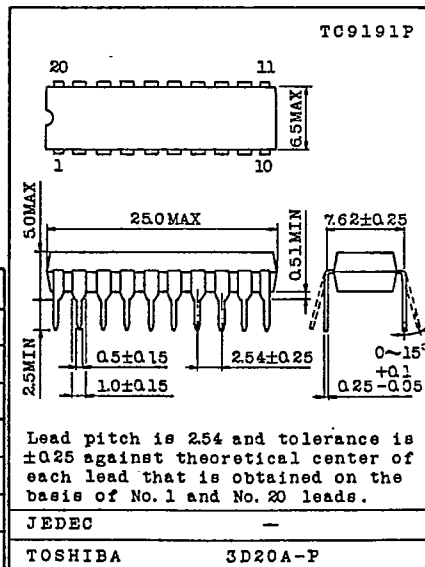
Note 1. TC9190N only is assured.

Note 2. TC9191P only is assured.



Weight : 2.2g

Unit in mm



Weight : 1.2g

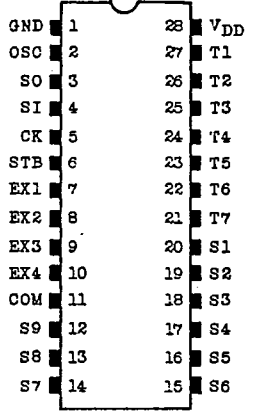
AUDIO DIGITAL IC

# TC9190N, TC9191P

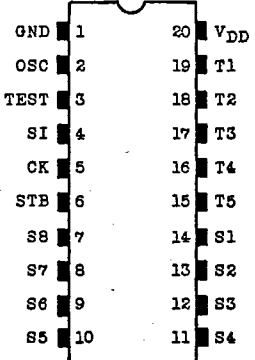
T-52-13-09  
T-52-13-07

TC9190N  
TC9191P

## TERMINAL CONNECTION DIAGRAM



TC9190N



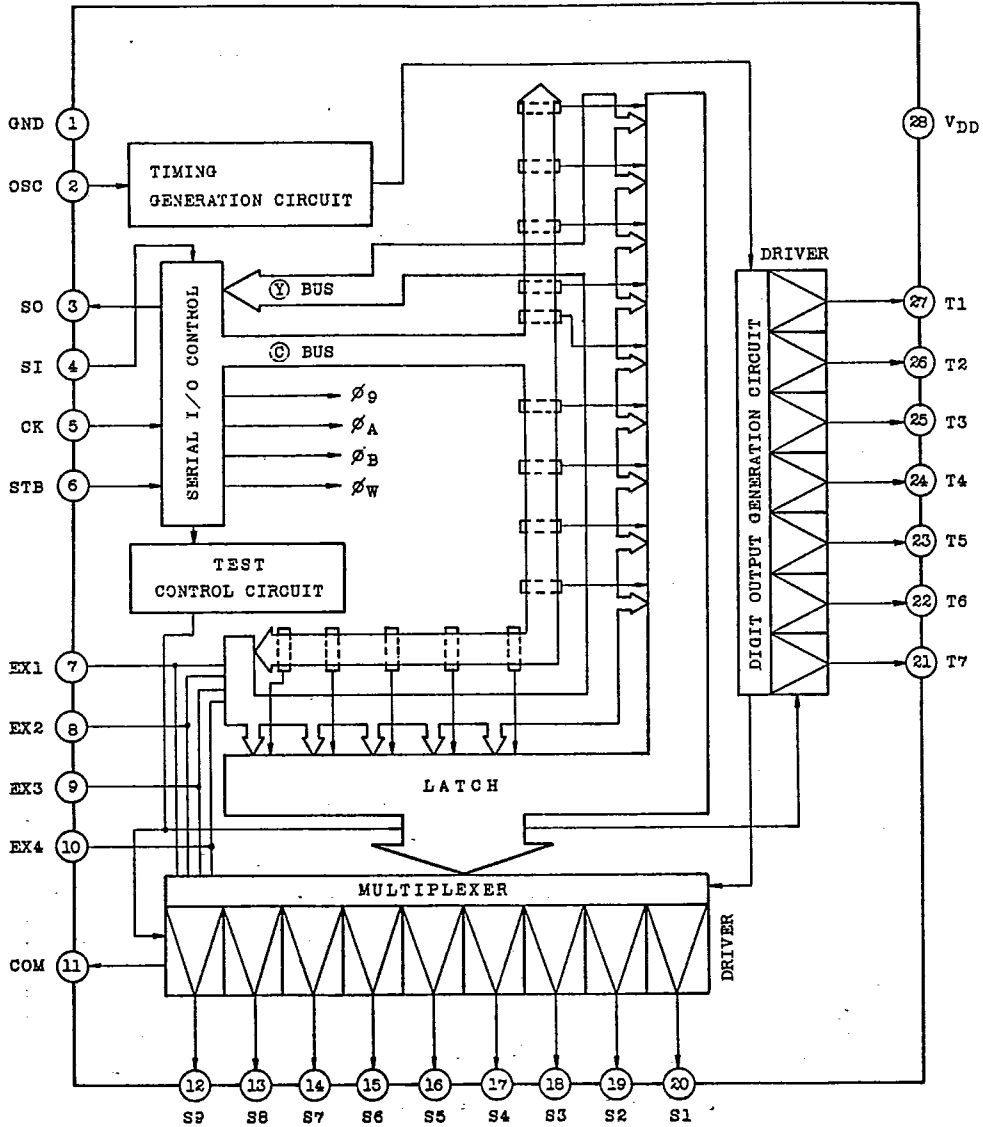
TC9191P

# TC9190N, TC9191P

T-52-13-09  
T-52-13-07

BLOCK DIAGRAM

TC9190N



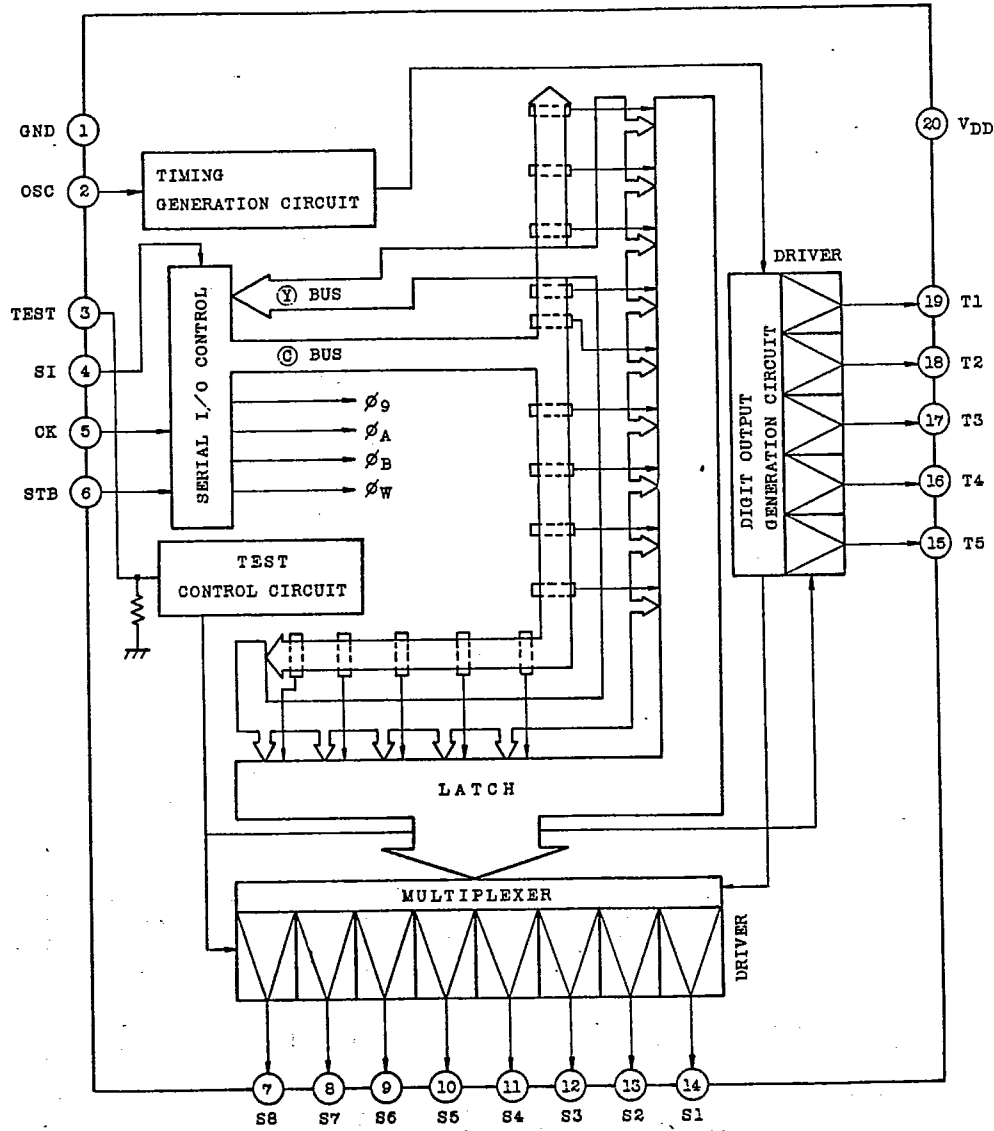
AUDIO DIGITAL IC

# TC9190N, TC9191P

T-52-13-09

T-52-13-07

TC9191P



**TOSHIBA**

# TC9190N, TC9191P

T-52-13-09

T-52-13-07

I/O MAP

I/O CODE	SEG 1				SEG 2				SEG 3							
	Y1	Y2	Y4	Y8	Y1	Y2	Y4	Y8	Y1	Y2	Y4	Y8				
INPUT PORT	0 OPTION OUTPUT* (φ900)															
	EX1				EX2				EX3				EX4			
	1															
	2															
	3															
	4															
	5															
	6															
OUTPUT PORT	7															
	8															
	9 T1 (φ99 ⊕)				T4 (φA9 ⊕)				* T7 (φB9 ⊕)							
	S1 S2 S3 S4				S1 S2 S3 S4				S1 S2 S3 S4							
	A T1 (φ9A ⊕)				T4 (φAA ⊕)				* T7 (φBA ⊕)							
	S5 S6 S7 S8				S5 S6 S7 S8				S5 S6 S7 S8							
	B T2 (φ9B ⊕)				T5 (φAB ⊕)				INDICATION CONTROL (φBD ⊕)							
	S1 S2 S3 S4				S1 S2 S3 S4											
	C T2 (φ9C ⊕)				T5 (φAC ⊕)				TM (φBE ⊕)							
	S5 S6 S7 S8				S5 S6 S7 S8											
	D T3 (φ9D ⊕)				* T6 (φAD ⊕)				TEST1 TEST2							
	S1 S2 S3 S4				S1 S2 S3 S4				CHIP SELECT CODE DATA "B"							
E T3 (φ9E ⊕)				* T6 (φAE ⊕)												
S5 S6 S7 S8				S5 S6 S7 S8												
F CHIP SELECT CODE DATA "9"				CHIP SELECT CODE DATA "A"				CHIP SELECT CODE DATA "B"								
1 0 0 1				0 1 0 1				1 1 0 1								

\* Option outputs T6 and T7 are built in TC9190N only.

AUDIO DIGITAL IC

# TC9190N, TC9191P

T-52-13-09

T-52-13-07

ELECTRICAL CHARACTERISTICS (Unless otherwise specified, Ta=25°C, VDD=5.0V)

CHARACTERISTIC		SYMBOL	TEST CIR-CUIT	TEST CONDITION	MIN.	TYP.	MAX.	UNIT
Power Supply Voltage		VDD		*	4.0	5.0	6.0	V
Power Supply Current		IDD		Non-load fOSC=50kHz	-	0.2	1.0	mA
Input Voltage	"H" Level	VIH1		SI, CK, STB	VDD × 0.7	-	VDD	V
	"L" Level	VIL1		SI, CK, STB	0	-	VDD × 0.3	
Input Current	"H" Level	IIH1		SI, CK, STB VIH=5.0V	-	-	±1.0	μA
	"L" Level	IIL1		SI, CK, STB VIL=0.0V	-	-	±1.0	
Timing Input Frequency		fopr		SI, CK, STB *	-	300	500	kHz
Oscillation Frequency		fOSC		Rx=22kΩ Cx=150pF *	-	50	500	kHz
Auto-Initialize Voltage		VAI			-	2.4	2.6	V
Input Voltage	"H" Level	VIH2		EX1~EX4	VDD × 0.7	-	VDD	V
	"L" Level	VIL2		EX1~EX4	0	-	VDD × 0.3	
Input Current	"H" Level	IIH2		EX1~EX4 VIH=5.0V	-	-	±1.0	μA
	"L" Level	IIL2		EX1~EX4 VIL=0.0V	-	-	±1.0	
Output Current		IOH1		S0 VOH=4.0V	-	-2.0	-1.0	mA
		IOH2		T1~T7 VOH=3.0V	-	-15.0	-10.0	
		IOH3		S1~S9 VOH=3.0V	-	-5.0	-3.0	
Output Off-Leak Current		IOFF		T1~T7, S1~S9 VOL=-27.0V	-	-	±10.0	μA
		IOFF1		S0 VOL=0.0V	-	-	±1.0	
Load Resistance		RL		Com=-27.0V	50	100	200	kΩ
Output Current		IOH		T1~T5, S1~S8 VOH=4.0V	-	-30	-20	mA
		IOL		T1~T5, S1~S8 VOL=1.0V	0.5	1.0	-	
Pull-Down Resistance		RDown		TEST	22	47	68	kΩ

Note 1

Note 2

Note: Items marked with \* are assured when VDD=4.0~6.0V, Ta=-30~75°C.

Note 1. TC9190N only is assured.

Note 2. TC9191P only is assured.

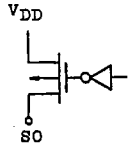
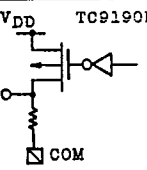
TOSHIBA

# TC9190N, TC9191P

T-52-13-09

T-52-13-07

## FUNCTIONAL DESCRIPTION OF EACH TERMINAL

PIN No.		SYMBOL	TERMINAL NAME	FUNCTIONAL & OPERATIONAL DESCRIPTION	REMARKS
20 PIN	28 PIN				
1	1	GND	Power Supply Application Terminal		
20	28	VDD			
2	2	OSC	1 Terminal Oscillation Terminal	1 terminal type oscillation circuit oscillating a clock necessary for the system by an external C.R.	
3	-	TEST		Pull-down resistance is built-in.	
-	3	SO	Serial Output	Serial I/O port Sending and receiving of segment output data are performed between controllers.  SO is Pch open drain output and SI, CK, STG are Schmitt trigger inputs.	
4	4	SI	Serial Input		
5	5	CK	Clock Signal		
6	6	STB	Strobe Signal		
-	7   10	EX1~EX2	Option Input Terminal	Option input terminal.	C-MOS input
-	11	COM	VFL Power Supply Terminal	VFL driving minus power supply is applied. $VDD-VFL \leq 33V$	
-	12	S9	Segment Output Terminal	Segment output is generated in synchronism with digit output. . TC9190N .... Pch open drain output . TC9191P .... Bipolar output	
7   14	13   20	S8   S1			
-	21 22	T7 T6			
15   19	23   27	T5   T1			

AUDIO DIGITAL IC

# TC9190N, TC9191P

T-52-13-09

T-52-13-07

## DESCRIPTION OF OPERATION

As shown in the block diagram, the TC9190N and the TC9191P are controlled by accessing port groups connected with the data bus Y and the code bus C having 4-bit function. Each data on the data bus and the code bus is sent to and received from the controller side by 4 terminals of SI, SO, CK, and STB (in TC9191P, 3 terminals of SI, CK, and STB) through the serial port.

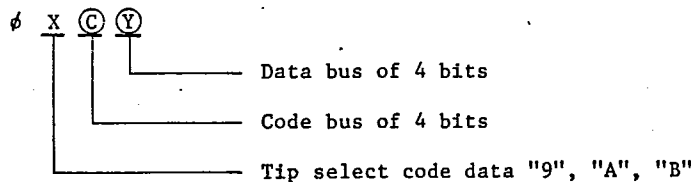
As described above, all is controlled on a port basis, and description is made with the function of each port below.

These ports are constituted on 4-bit basis and each of them is selected by a code data of 4 bits. A list of code assignment to each port is described as an I/O map before.

As a whole, codes "0H~7H" are assigned to the input ports and codes "8H~FH" to the output ports.

(Note 1) The meaning of "input port" and "output port" is always used with the controller side as reference. Therefore, a port to be accessed at outputting data from the controller side to the driver side is called an output port and a port to be accessed at taking in data from the driver side to the controller side is called an input port.

(Note 2) In the sentence and the drawing, code assignment to each port is expressed with it coded as follows.



(Example)  $\phi 9A9$  : Set S5, S8 of digit T1.

$\phi ACF$  : Set S5, S6, S7, S8 of digit T2.



# TC9190N, TC9191P

T-52-13-09

T-52-13-07

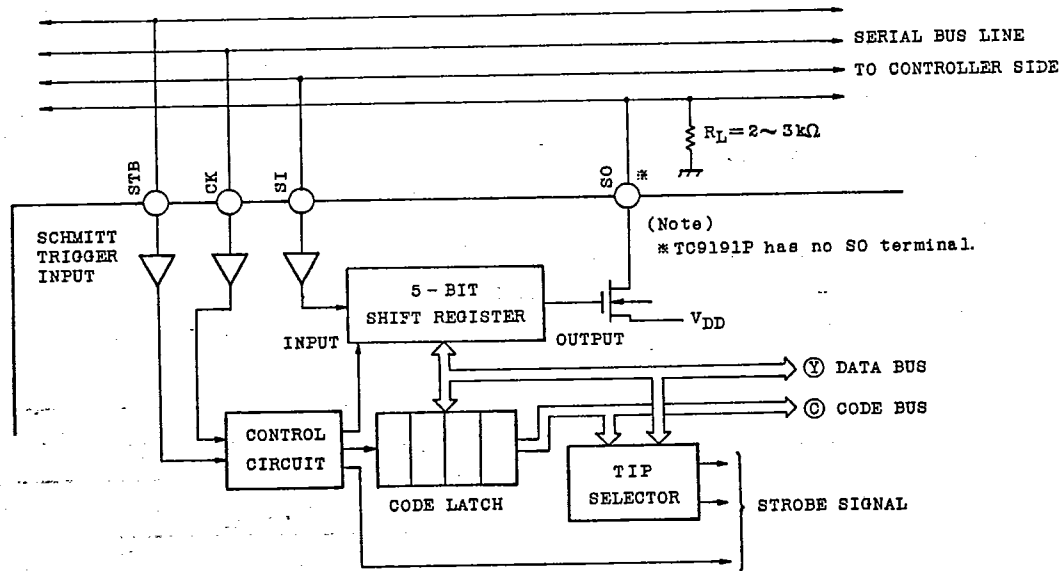
## ○ SERIAL I/O PORT

As described above, control of each port is performed by serial bus lines through the serial port. The serial port controls sending and receiving of data on the serial bus line and the code bus and the data bus line inside the IC.

The I/O terminals of the serial port are 4 terminals of SO, SI, CK, and STB in TC9190N since it has an input port and 3 terminals of SI, CK, and STB in TC9191P since it has no input port.

In the SI, CK, and STB terminals, schmitt trigger input is built and the SO terminal is of Pch FET open drain output construction.

(Note) For the SO terminal, an external load resistance is required. ( $R_L=2\sim 3k\Omega$ )



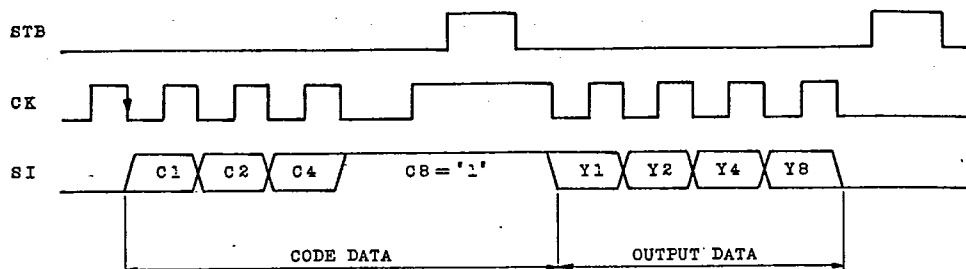
AUDIO DIGITAL IC

# TC9190N, TC9191P

T-52-13-09  
T-52-13-07

## 1. DATA TRANSFER FORMAT

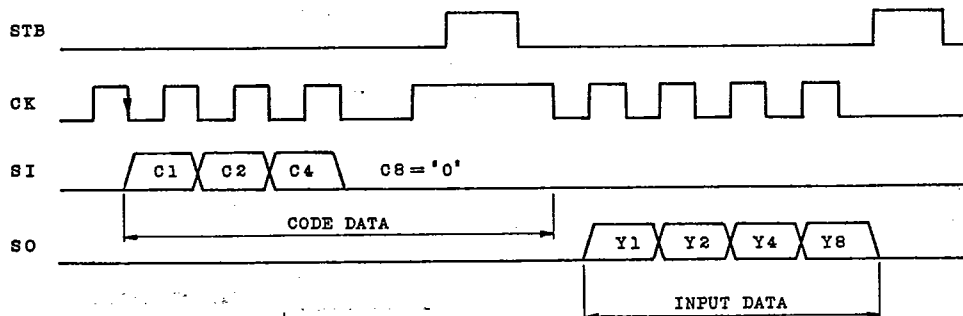
### 1) At outputting data (access of output port)



At the timing shown in the above drawing, input the 4-bit code data (C1-C8) of the output port and the 4-bit data (Y1-Y8) to be output are serially input in the SI terminal. The SI data is read in at rising of CK.

(Note) At specifying the output port, the code data "C8" becomes always "1".

### 2) At inputting data (access of input data)



At the timing shown in the above drawing, input the 4-bit code data (C1-C8) of the input port in the SI terminal, and the data of the specified port is output to the SO terminal with 4-bit Y1-Y8 serial. The SI data is read in at rising of CK and the SO data is swept away at rising of CK.

(Note) At specifying the input port, the code data "C8" becomes always "0".

# TC9190N, TC9191P

T-52-13-09

T-52-13-07

## 2. SPECIFICATION OF CHIP SELECT

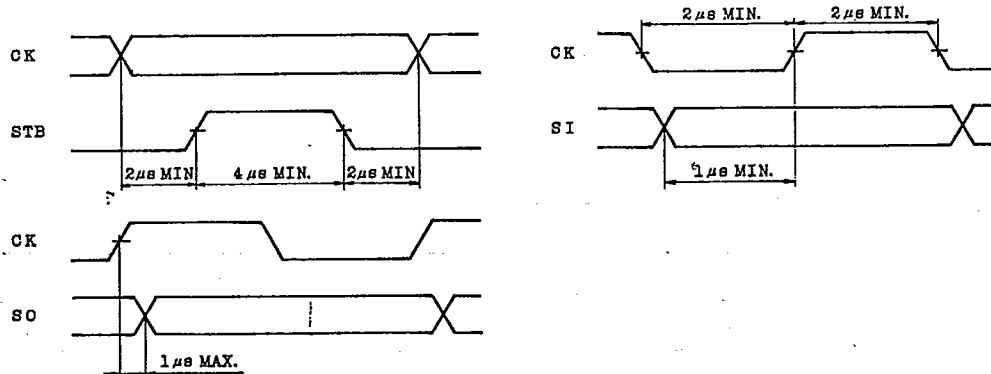
Various peripheral option IC other than a driver can be connected to serial bus lines. Therefore, it is necessary to specify as to whether a data is sent and received between the controller side and any of the ICs connected by the bus lines. For specifying the IC which is the object of control on the bus lines, a chip select code is provided.

Chip select codes for specifying TC9190N and TC9191P are the following three kinds:

- \* Digit Chip select code for specifying the output ports T1~T3 and the input ports (TC9190N) :9
- \* Digit Chip select code for specifying the output ports T4~T6 (in TC9191P, T4~T5) :A
- \* Digit Chip select code for specifying the output port T7 (in TC9191P, no) and modes :B

- 1) The select code is set at the data output port of the chip select code (code "FH").
- 2) The select code must be set first at inputting or outputting data.
- 3) The select code once set is held unless specified again, and it is unnecessary to specify the select code everytime the data is input or output.

## 3. SERIAL TIMING PULSE WIDTH



## 4. SETTING OF MODE

In the TC9190N and the TC9191P, an auto-blanking circuit is built and the output indication at time of power on is in blanking state.

AUDIO DIGITAL IC

# TC9190N, TC9191P

T-52-13-09

T-52-13-07

In usual operation, it is necessary to set as follows.

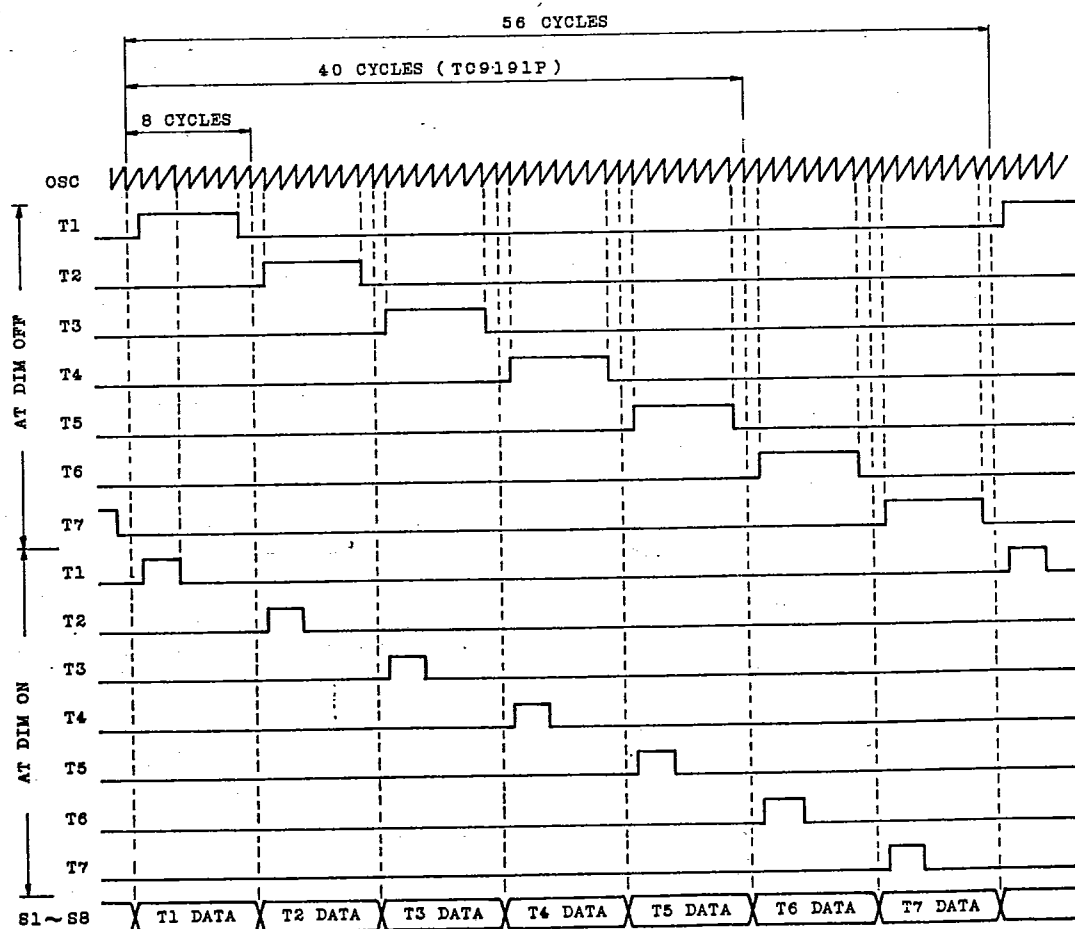
EN="1", DIS="0", TEST1="0", and TEST2="0"


When set to others, the circuits become in blanking state.

Also, these circuits have indication dimmer function. When set to DIM ON="1" and DIM OFF="0", the circuits become in DIM ON state and the brightness of indication is reduced by half or so. When set to others, DIM OFF state is indicated.

## 5. TIMING CHART OF OUTPUT INDICATION

The frequency of T1-T7 (in TC9191P, T1-T5) is determined by the constant of external C and R of OSC terminal.





# TC9190N, TC9191P

T-52-13-09

T-52-13-07

Note 1. For preventing dimming of indication at DIM OFF, T<sub>1</sub>~T<sub>7</sub>(T<sub>5</sub>) has the blanking period of two cycles.

Note 2. Renewal of indication data is executed during the blanking period described above.

## ○ EXTERNAL INPUT PORT

The TC9190N has 4 external input ports of EX<sub>1</sub>~EX<sub>4</sub>.

EX <sub>1</sub> : T <sub>1</sub> sync	} Controls S <sub>g</sub> output
EX <sub>2</sub> : T <sub>2</sub> sync	
EX <sub>3</sub> : T <sub>3</sub> sync	
EX <sub>4</sub> : T <sub>4</sub> sync	

Data of EX<sub>1</sub>~EX<sub>4</sub> are taken in on the controller side by φ900.

# TC9190N, TC9191P

T-52-13-09  
T-52-13-07

9097247 TOSHIBA. ELECTRONIC

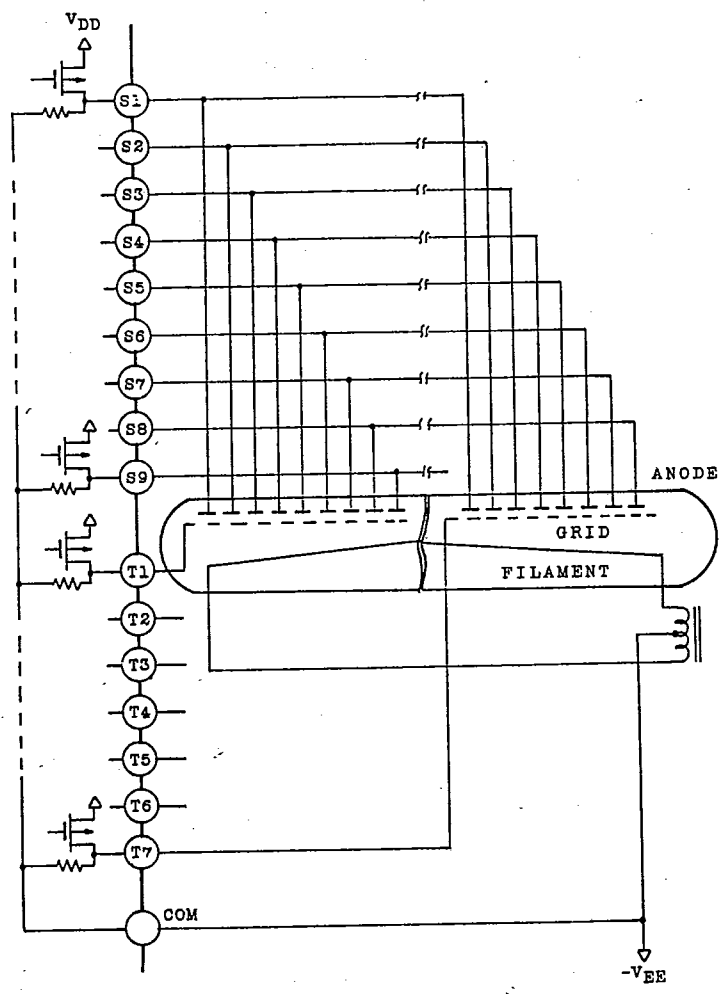
02E 18369 D

○ OUTPUT CIRCUIT

In the TC9190N, high breakdown-voltage transistor is built and VFL (fluorescent display) can be directly driven.

In the TC9191P, large-current transistor is built and LED can be directly driven.

Application of TC9190N indication (for VFL)

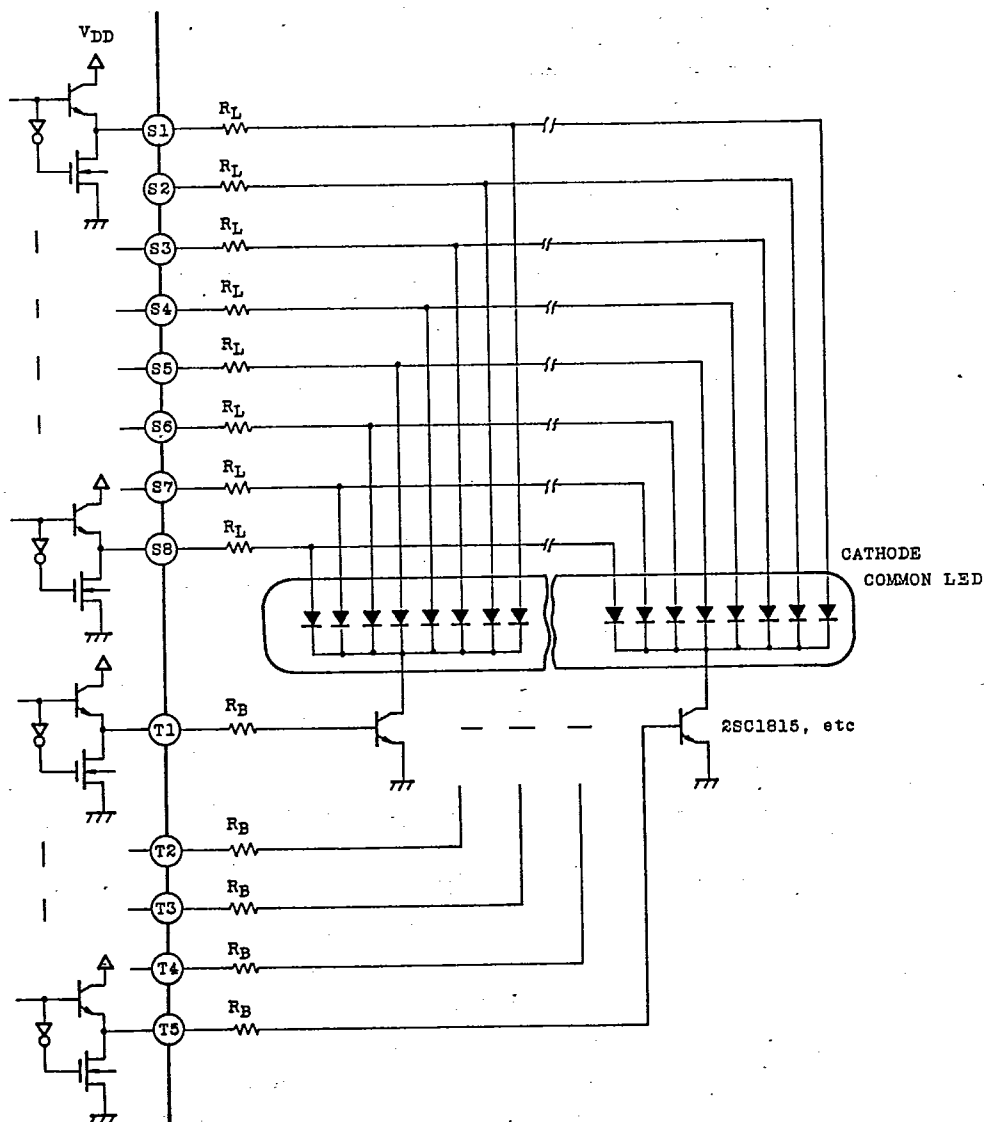


# TC9190N, TC9191P

T-52-13-09  
T-52-13-07

## APPLICATION OF TC9191P INDICATION (For LED)

\* Bipolar output



AUDIO DIGITAL IC

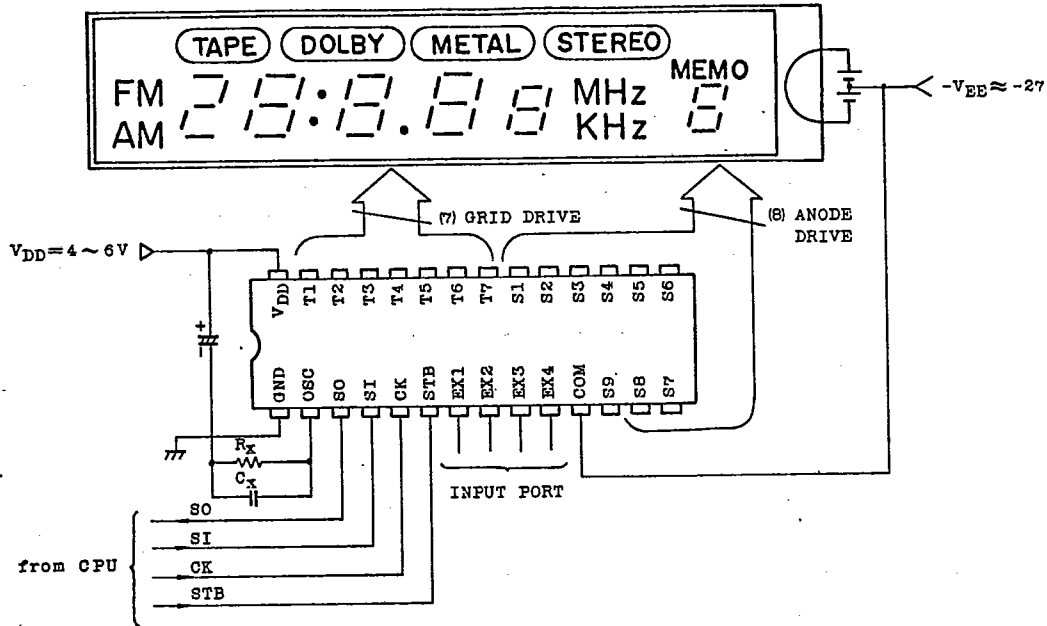
# TC9190N, TC9191P

T-52-13-09  
T-52-13-07

## APPLICATION CIRCUIT

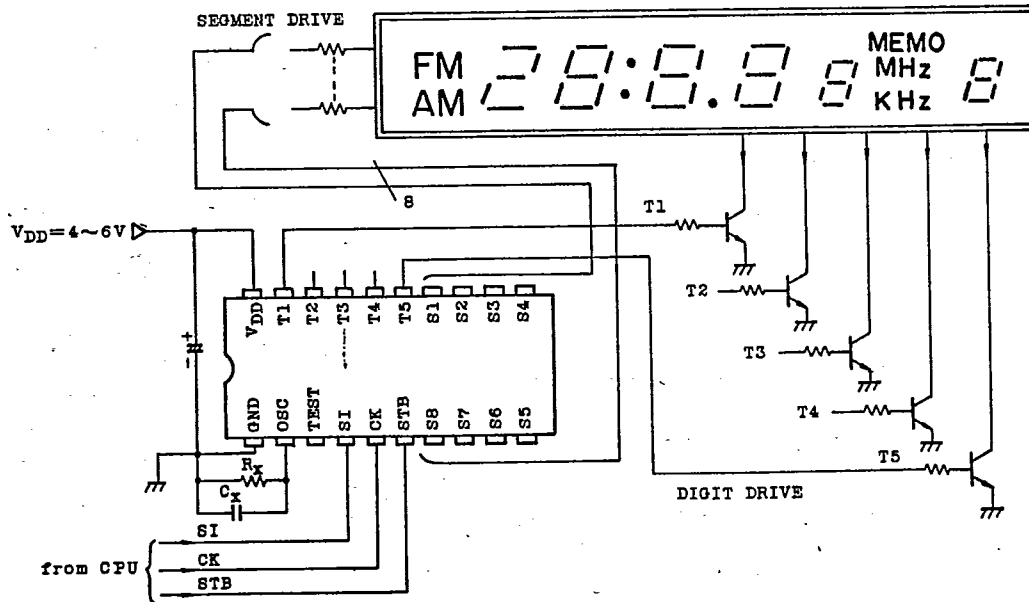
• TC9190N

FLUORESCENT DISPLAY



• TC9191P

LED DISPLAY



**TOSHIBA**