

DATA SHEET

TDA8442 I²C-bus interface for colour decoders

Product specification
File under Integrated Circuits, IC01

March 1991

I²C-bus interface for colour decoders

TDA8442

GENERAL DESCRIPTION

The TDA8442 provides control of four analogue functions and has one high-current and two switching outputs. Control of the IC is performed via the two-line, bidirectional I²C-bus.



Features

- Four analogue control outputs
- One high-current output port (npn open emitter)
- Two switching output ports (npn collector with internal pull-up resistor)
- I²C-bus slave receiver
- Power-down reset.

PACKAGE OUTLINE

16-lead DIL; plastic (SOT38); SOT38-1; 1996 July 23.

QUICK REFERENCE DATA

PARAMETER	CONDITIONS	SYMBOL	MIN.	TYP.	MAX	UNIT
Supply voltage (pin 9)		V _P	10.8	12.0	13.2	V
Supply current	no outputs loaded	I _P	8	13	18	mA
Total power dissipation	no outputs loaded	P _{tot}	–	–	1	W
Operating ambient temperature range		T _{amb}	–20	–	+70	°C

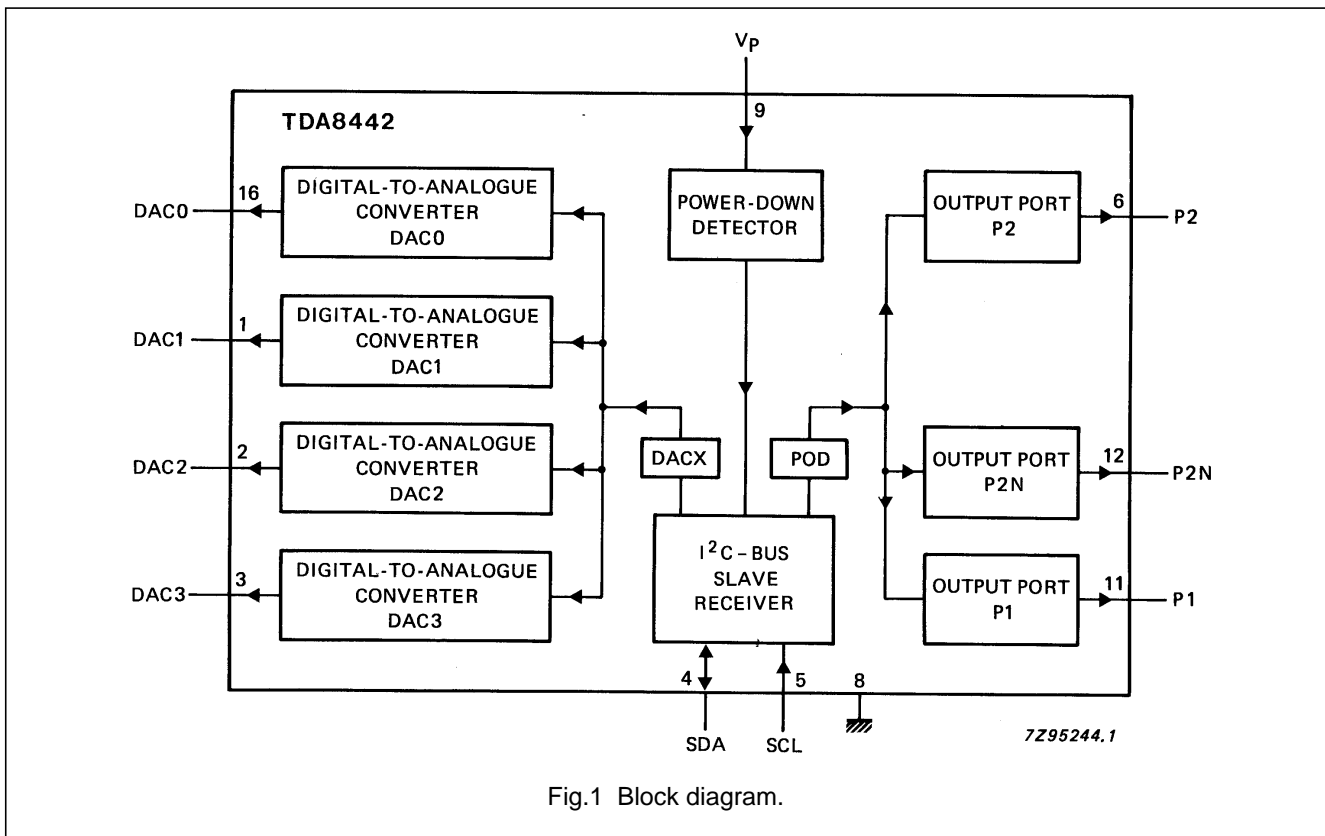


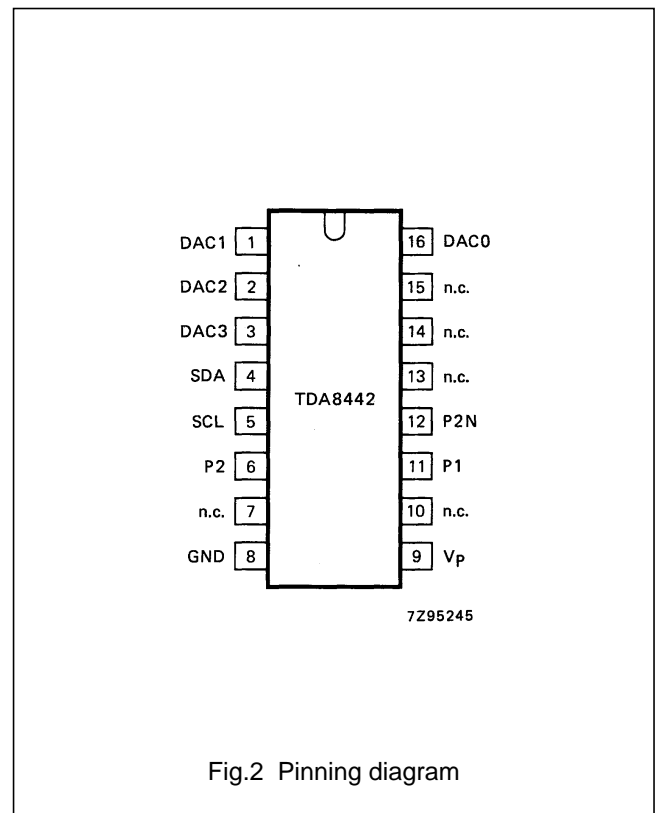
Fig.1 Block diagram.

I²C-bus interface for colour decoders

TDA8442

PINNING

PIN	SYMBOL	DESCRIPTION
1	DAC1	analogue output 1
2	DAC2	analogue output 2
3	DAC3	analogue output 3
4	SDA	serial data line; I ² C-bus
5	SCL	serial clock line; I ² C-bus
6	P2	Port 2 npn collector output with internal pull-up resistor
7	n.c.	not connected
8	GND	supply return (ground)
9	V _P	positive supply voltage
10	n.c.	not connected
11	P1	Port 1 open npn emitter output
12	P2N	inverted P2 output
13	n.c.	not connected
14	n.c.	not connected
15	n.c.	not connected
16	DAC0	analogue output 0



FUNCTIONAL DESCRIPTION

Control

Analogue control is facilitated by four 6-bit digital-to-analogue converters (DAC0 to DAC3). The values of the output voltages from the DACs are set via the I²C-bus.

The high-current output port (P1) is suitable for switching between internal and external RGB signals. It is an open npn emitter output capable of sourcing 14 mA (min.).

The two output ports (P2 and P2N) can be used for NTSC/PAL switching. These are npn collector outputs with internal pull-up resistors of 10 kΩ (typ.). Both outputs are capable of sinking up to 2 mA with a voltage drop of less than 400 mV. If one output is switched on (LOW), the other output is switched off, and vice versa.

Reset

The power-down-reset mode occurs whenever the positive supply voltage falls below 8.5 V (typ.) and resets all registers to a defined state.

I²C-bus interface for colour decoders

TDA8442

OPERATION

Write

The TDA8442 is controlled via the I²C-bus (specifications for the I²C-bus will be supplied on request). Programming of the TDA8442 is performed using the format shown in Fig.3.

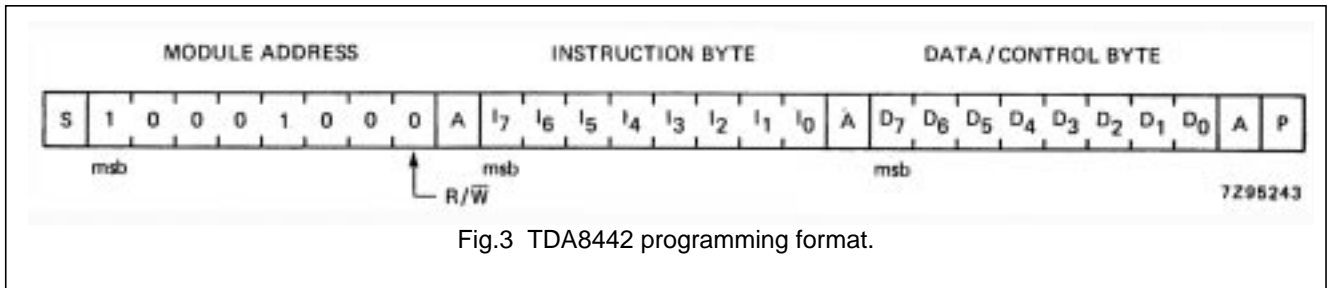


Fig.3 TDA8442 programming format.

Acknowledge (A) is generated by the TDA8442 only when a valid address is received and the device is not in the power-down-reset mode ($V_P > 8.5\text{ V (typ.)}$).

Control

Control is implemented by the instruction bytes POD (port output data) and DACX (digital-to-analogue converter control) together with the corresponding data/control bytes (see Fig.4).

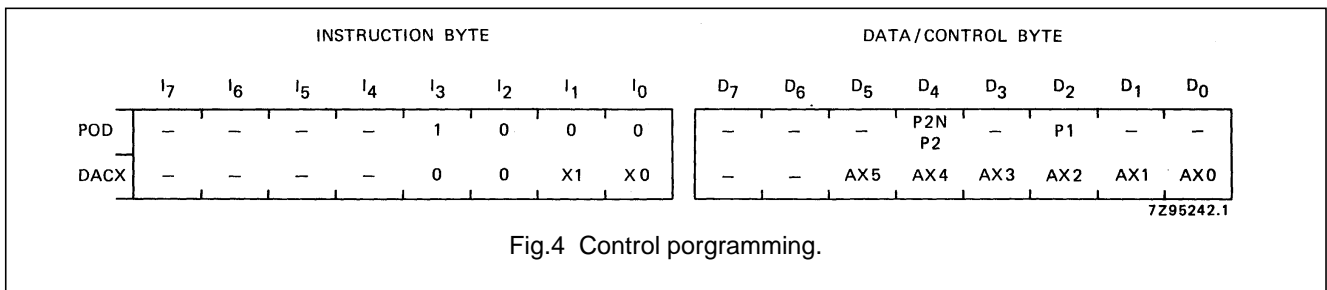


Fig.4 Control programming.

POD bit P1

If a logic 1 is programmed, the P1 output is switched on. If a logic 0 is programmed or after a power-down-reset, the P1 output is switched off (high-impedance state).

POD bit P2/P2N

If a logic 1 is programmed, the P2 output is switched off and the P2N output is switched on (LOW). If a logic 0 is programmed or after a power-down-reset, the P2 output is switched on (LOW) and the P2N output is switched off.

DAX bits AX5 to AX0

The digital-to-analogue converter selected corresponds to the decimal equivalent of the two bits X1 and X0. The output voltage of the selected DAC is programmed using bits AX5 to AX0, the lowest value being with all data AX5 to AX0 at logic 0 or when power-down-reset has been activated.

I²C-bus interface for colour decoders

TDA8442

RATINGS

Limiting values in accordance with the Absolute Maximum System (IEC 134)

PARAMETER	SYMBOL	MIN.	MAX.	UNIT
Supply voltage range (pin 9)	V _P	-0.3	+13.2	V
Input/output voltage ranges				
pin 4	V _{SDA}	-0.3	+13.2	V
pin 5	V _{SCL}	-0.3	+13.2	V
pin 6	V _{P2}	-0.3	V _P ; note 1	V
pin 11	V _{P1}	-0.3	V _P ; note 1	V
pin 12	V _{P2N}	-0.3	V _P ; note 1	V
pin 1 to 3 and pin 16	V _{DAX}	-0.3	V _P ; note 1	V
Total power dissipation	P _{tot}	-	1	W
Operating ambient temperature range	T _{amb}	-20	+70	°C
Storage temperature range	T _{stg}	-55	+150	°C

Note

- Pin voltage may exceed V_P if the current in that pin is limited to 10 mA.

CHARACTERISTICSV_P = 12 V; T_{amb} = +25 °C; unless otherwise specified

PARAMETER	CONDITIONS	SYMBOL	MIN.	TYP.	MAX.	UNIT
Supplies						
Supply voltage (pin 9)		V _P	10.8	12.0	13.2	V
Supply current (pin 9)	no outputs loaded	I _P	8	13	18	mA
I²C-bus inputs						
SDA (pin 4); SCL (pin 5)						
Input voltage HIGH	note 1	V _{IH}	3.0	-	V _P - 1	V
Input voltage LOW		V _{IL}	-0.3	-	1.5	V
Input current HIGH	note 1	I _{IH}	-	-	10	μA
Input current LOW	note 1	I _{IL}	-	-	10	μA
I²C-bus output						
SDA (pin 4)						
Output voltage LOW	open collector I _{OL} = 3.0 mA	V _{OL}	-	-	0.4	V
Maximum output sink current		I _{OL}	3	5	-	mA

I²C-bus interface for colour decoders

TDA8442

PARAMETER	CONDITIONS	SYMBOL	MIN.	TYP.	MAX.	UNIT
Ports P2 and P2N (pins 6 and 12)	npn collector output with pull-up resistor to V_P					
Internal pull-up resistor to V_P		R_O	5	10	15	k Ω
Output voltage switched on (LOW)	$I_{OL} = 2$ mA	V_{OL}	–	–	0.4	V
Maximum output sink current		I_{OL}	2	5	–	mA
Leakage current output switched off		$-I_{leak}$	–	–	25	μ A
Port P1 (pin 11)	open npn emitter output					
Output current switched on	$V_O = 0$ to 5 V	I_O	14	–	–	mA
Leakage current switched off	$V_O = 0$ to V_P note 2	$\pm I_{leak}$	–	–	100	μ A
Digital-to-analogue outputs						
DAC0 (pin 16)						
Maximum output voltage	unloaded; note 3	$V_{O\ max}$	3.0	–	4.25	V
Minimum output voltage	unloaded; note 3	$V_{O\ min}$	0.15	–	1.0	V
Positive value of smallest step	$I_O = 2$ mA (1 lsb); note 3	$V_{O\ lsb}$	16	–	72	mV
Deviation from linearity	$I_O = 2$ mA	ΔV	–	–	45	mV
Output impedance	$I_O = -2$ to +2 mA	Z_O	–	–	30	Ω
Maximum output source current		$-I_{OH}$	2	–	6	mA
Maximum output sink current		I_{OL}	2	8	–	mA
DAC1 (pin 1)						
Maximum output voltage	unloaded; note 3	$V_{O\ max}$	4.0	–	5.0	V
Minimum output voltage	unloaded; note 3	$V_{O\ min}$	1.0	–	1.7	V
Positive value of smallest step	$I_O = 2$ mA (1 lsb); note 3	$V_{O\ lsb}$	18	–	86	mV
Deviation from linearity	$I_O = 2$ mA	ΔV	–	–	50	mV
Output impedance	$I_O = -2$ to +2 mA	Z_O	–	–	30	Ω
Maximum output source current		$-I_{OH}$	2	–	6	mA
Maximum output sink current		I_{OL}	2	8	–	mA

I²C-bus interface for colour decoders

TDA8442

PARAMETER	CONDITIONS	SYMBOL	MIN.	TYP.	MAX.	UNIT
DAC2 (pin 2)						
Maximum output voltage	unloaded; note 3	$V_{O\ max}$	4.0	–	5.0	V
Minimum output voltage	unloaded; note 3	$V_{O\ min}$	1.0	–	1.7	V
Positive value of smallest step	$I_O = 2\ \text{mA}$ (1 lsb); note 3	$V_{O\ lsb}$	18	–	86	mV
Deviation from linearity	$I_O = 2\ \text{mA}$	ΔV	–	–	50	mV
Output impedance	$I_O = -2\ \text{to}\ +2\ \text{mA}$	Z_O	–	–	30	Ω
Maximum output source current		$-I_{OH}$	2	–	6	mA
Maximum output sink current		I_{OL}	2	8	–	mA
DAC3 (pin 3)						
Maximum output voltage	unloaded; note 3	$V_{O\ max}$	10.0	–	11.2	V
Minimum output voltage	unloaded; note 3	$V_{O\ min}$	0.1	–	1.0	V
Positive value of smallest step	$I_O = 2\ \text{mA}$ (1 lsb); note 3	$V_{O\ lsb}$	70	–	250	mV
Deviation from linearity	$I_O = 2\ \text{mA}$	ΔV	–	–	150	mV
Output impedance	$I_O = -2\ \text{to}\ +2\ \text{mA}$	Z_O	–	–	30	Ω
Maximum output source current		$-I_{OH}$	2	–	6	mA
Maximum output sink current		I_{OL}	2	8	–	mA
Power-down reset						
Maximum value of V_P at which power-down reset is active		V_{PD}	6	–	10	V
Rise time of V_P during power-on	V_P rising from 0 V to V_{PD}	t_r	5	–	–	μs

Notes to the Characteristics

1. If $V_P < 1\ \text{V}$, the input current is limited to 10 μA at input voltages up to 13.2 V.
2. Pure capacitive load should be avoided because of possible oscillations.
3. Values are proportional to V_P .

I²C-bus interface for colour decoders

TDA8442

I²C-BUS TIMING

Bus loading conditions: 4kΩ pull-up resistor to +5 V; 200 pF capacitor to GND.
 All values are referred to V_{IH} = 3 V and V_{IL} = 1.5 V.

PARAMETER	SYMBOL	MIN.	TYP.	MAX.	UNIT
Bus free before start	t _{BUF}	4.0	–	–	μs
Start condition set-up time	t _{SU; STA}	4.0	–	–	μs
Start condition hold time	t _{HD; STA}	4.0	–	–	μs
LOW period SCL, SDA	t _{LOW}	4.0	–	–	μs
HIGH period SCL	t _{HIGH}	4.0	–	–	μs
Rise time SCL, SDA	t _r	–	–	1.0	μs
Fall time SCL, SDA	t _f	–	–	0.30	μs
Data set-up time (write)	t _{SU; DAT}	1	–	–	μs
Data hold time (write)	t _{HD; DAT}	1	–	–	μs
Acknowledge (from TDA8442) set-up time	t _{SU; ACK}	–	–	3.5	μs
Acknowledge (from TDA8442) hold time	t _{HD; ACK}	0	–	–	μs
Stop condition set-up time	t _{SU; STO}	4.0	–	–	μs

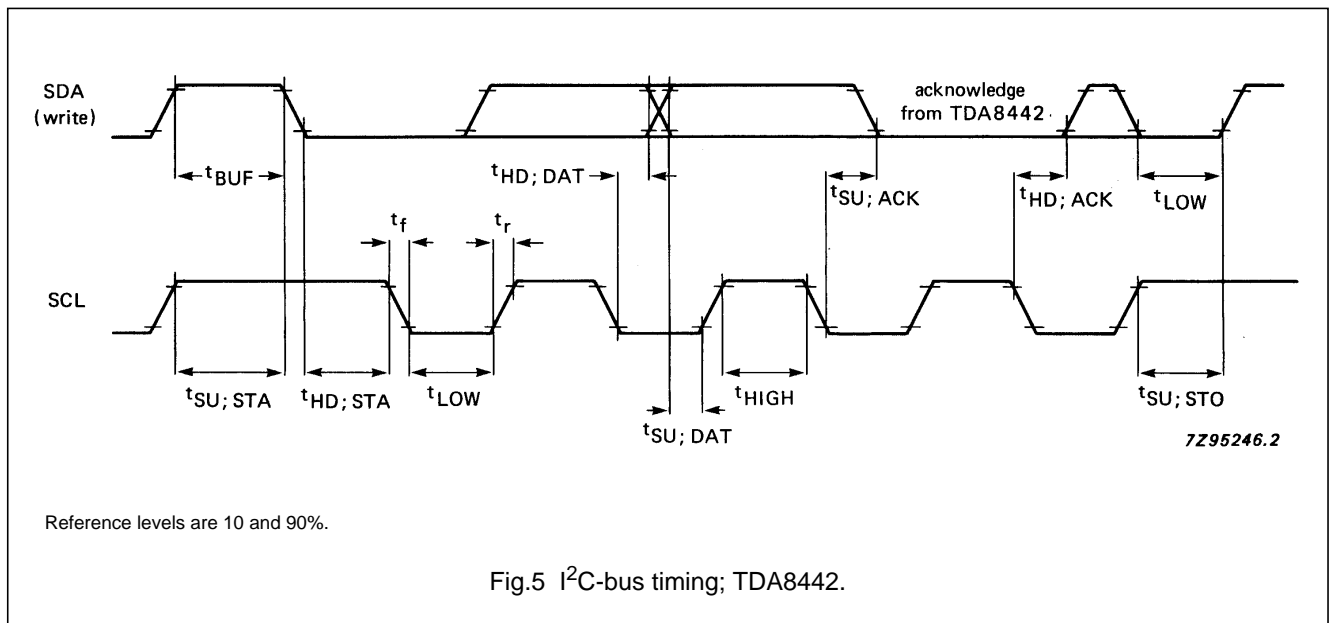


Fig.5 I²C-bus timing; TDA8442.

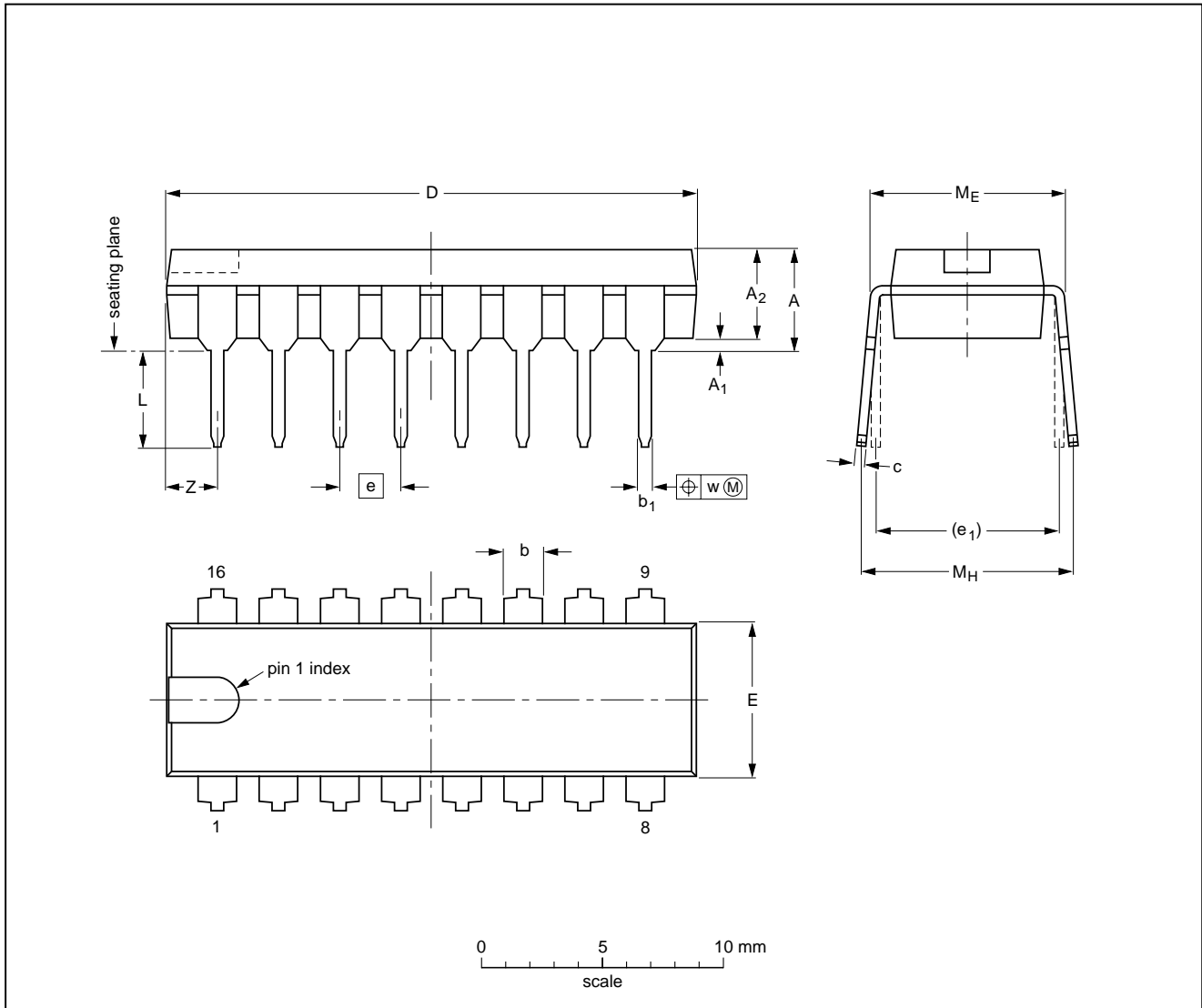
I²C-bus interface for colour decoders

TDA8442

PACKAGE OUTLINE

DIP16: plastic dual in-line package; 16 leads (300 mil); long body

SOT38-1



DIMENSIONS (inch dimensions are derived from the original mm dimensions)

UNIT	A max.	A ₁ min.	A ₂ max.	b	b ₁	c	D ⁽¹⁾	E ⁽¹⁾	e	e ₁	L	M _E	M _H	w	Z ⁽¹⁾ max.
mm	4.7	0.51	3.7	1.40 1.14	0.53 0.38	0.32 0.23	21.8 21.4	6.48 6.20	2.54	7.62	3.9 3.4	8.25 7.80	9.5 8.3	0.254	2.2
inches	0.19	0.020	0.15	0.055 0.045	0.021 0.015	0.013 0.009	0.86 0.84	0.26 0.24	0.10	0.30	0.15 0.13	0.32 0.31	0.37 0.33	0.01	0.087

Note

1. Plastic or metal protrusions of 0.25 mm maximum per side are not included.

OUTLINE VERSION	REFERENCES				EUROPEAN PROJECTION	ISSUE DATE
	IEC	JEDEC	EIAJ			
SOT38-1	050G09	MO-001AE				92-10-02 95-01-19

I²C-bus interface for colour decoders

TDA8442

SOLDERING

Introduction

There is no soldering method that is ideal for all IC packages. Wave soldering is often preferred when through-hole and surface mounted components are mixed on one printed-circuit board. However, wave soldering is not always suitable for surface mounted ICs, or for printed-circuits with high population densities. In these situations reflow soldering is often used.

This text gives a very brief insight to a complex technology. A more in-depth account of soldering ICs can be found in our "IC Package Databook" (order code 9398 652 90011).

Soldering by dipping or by wave

The maximum permissible temperature of the solder is 260 °C; solder at this temperature must not be in contact

with the joint for more than 5 seconds. The total contact time of successive solder waves must not exceed 5 seconds.

The device may be mounted up to the seating plane, but the temperature of the plastic body must not exceed the specified maximum storage temperature ($T_{stg\ max}$). If the printed-circuit board has been pre-heated, forced cooling may be necessary immediately after soldering to keep the temperature within the permissible limit.

Repairing soldered joints

Apply a low voltage soldering iron (less than 24 V) to the lead(s) of the package, below the seating plane or not more than 2 mm above it. If the temperature of the soldering iron bit is less than 300 °C it may remain in contact for up to 10 seconds. If the bit temperature is between 300 and 400 °C, contact may be up to 5 seconds.

DEFINITIONS

Data sheet status	
Objective specification	This data sheet contains target or goal specifications for product development.
Preliminary specification	This data sheet contains preliminary data; supplementary data may be published later.
Product specification	This data sheet contains final product specifications.
Limiting values	
Limiting values given are in accordance with the Absolute Maximum Rating System (IEC 134). Stress above one or more of the limiting values may cause permanent damage to the device. These are stress ratings only and operation of the device at these or at any other conditions above those given in the Characteristics sections of the specification is not implied. Exposure to limiting values for extended periods may affect device reliability.	
Application information	
Where application information is given, it is advisory and does not form part of the specification.	

LIFE SUPPORT APPLICATIONS

These products are not designed for use in life support appliances, devices, or systems where malfunction of these products can reasonably be expected to result in personal injury. Philips customers using or selling these products for use in such applications do so at their own risk and agree to fully indemnify Philips for any damages resulting from such improper use or sale.

PURCHASE OF PHILIPS I²C COMPONENTS



Purchase of Philips I²C components conveys a license under the Philips' I²C patent to use the components in the I²C system provided the system conforms to the I²C specification defined by Philips. This specification can be ordered using the code 9398 393 40011.