

# DATA SHEET

## **TDA8707**

Triple RGB 6-bit video  
analog-to-digital interface

Product specification  
Supersedes dat of March 1995  
File under Integrated Circuits, IC02

1996 Feb 01

# Triple RGB 6-bit video analog-to-digital interface

## TDA8707

### FEATURES

- Triple analog-to-digital converter (ADC)
- 6-bit resolution
- Sampling rate up to 35 MHz
- Power dissipation of 335 mW (typical)
- Internal clamping function
- TTL compatible digital inputs
- –40 to +85 °C operating temperature
- CMOS digital outputs.

### APPLICATIONS

- High-speed analog-to-digital conversion for video signals
- VGA signal treatment.

### DESCRIPTION

The TDA8707 is a CMOS triple 6-bit video low-power analog-to-digital converter (ADC) for RGB signals.

It converts the analog inputs into 6-bit binary coded digital words at a sampling rate of 35 MHz. All analog signal inputs are clamped.

#### Analog-to-digital converter

The TDA8707 implements 3 independent 6-bit analog-to-digital converters in CMOS process. These converters use a full-flash approach.

#### Clamping feature

An internal clamping circuit is provided in each of the 3 analog channels. The analog pins INR, ING and INB are switched, through series capacitors, to on-chip clamping levels during an active pulse on the clamp input CLP. Clamping level in the R, G and B channels is Code 0.

#### Input buffers

Internal buffers are provided to drive the analog-to-digital converter inputs. Their ratio can be adjusted externally at 1.5 or 2.0 with select input SLT.

### QUICK REFERENCE DATA

SYMBOL	PARAMETER	CONDITIONS	MIN.	TYP.	MAX.	UNIT
V <sub>DDA</sub>	analog supply voltage		4.5	5.0	5.5	V
V <sub>DDD</sub>	digital supply voltage		4.5	5.0	5.5	V
I <sub>DDA</sub>	analog supply current		–	60	80	mA
I <sub>DDD</sub>	digital supply current	f <sub>clk</sub> = 35 MHz	–	5	8	mA
INL	integral non-linearity	f <sub>clk</sub> = 35 MHz; ramp input; T <sub>amb</sub> = 25 °C	–	±0.35	±0.6	LSB
DNL	differential non-linearity	f <sub>clk</sub> = 35 MHz; ramp input; T <sub>amb</sub> = 25 °C	–	±0.35	±0.6	LSB
EB	effective bits	note 1	–	5.3	–	bits
f <sub>clk</sub>	maximum clock conversion rate		35	–	–	MHz
P <sub>tot</sub>	total power dissipation	f <sub>clk</sub> = 35 MHz; note 2	–	335	485	mW

### Notes

1. The number of effective bits is measured with a clock frequency of 35 MHz. This value is given for a 4.43 MHz frequency on the R, G and B channels.
2. The external resistor (value 15 kΩ) between V<sub>DDA</sub> and CLREF, fixing internal static currents, influences P<sub>tot</sub>.

### ORDERING INFORMATION

TYPE NUMBER	PACKAGE		
	NAME	DESCRIPTION	VERSION
TDA8707H	QFP44	plastic quad flat package; 44 leads; lead length 1.3 mm; body 10 × 10 × 1.75 mm	SOT307-2

# Triple RGB 6-bit video analog-to-digital interface

TDA8707

## BLOCK DIAGRAM

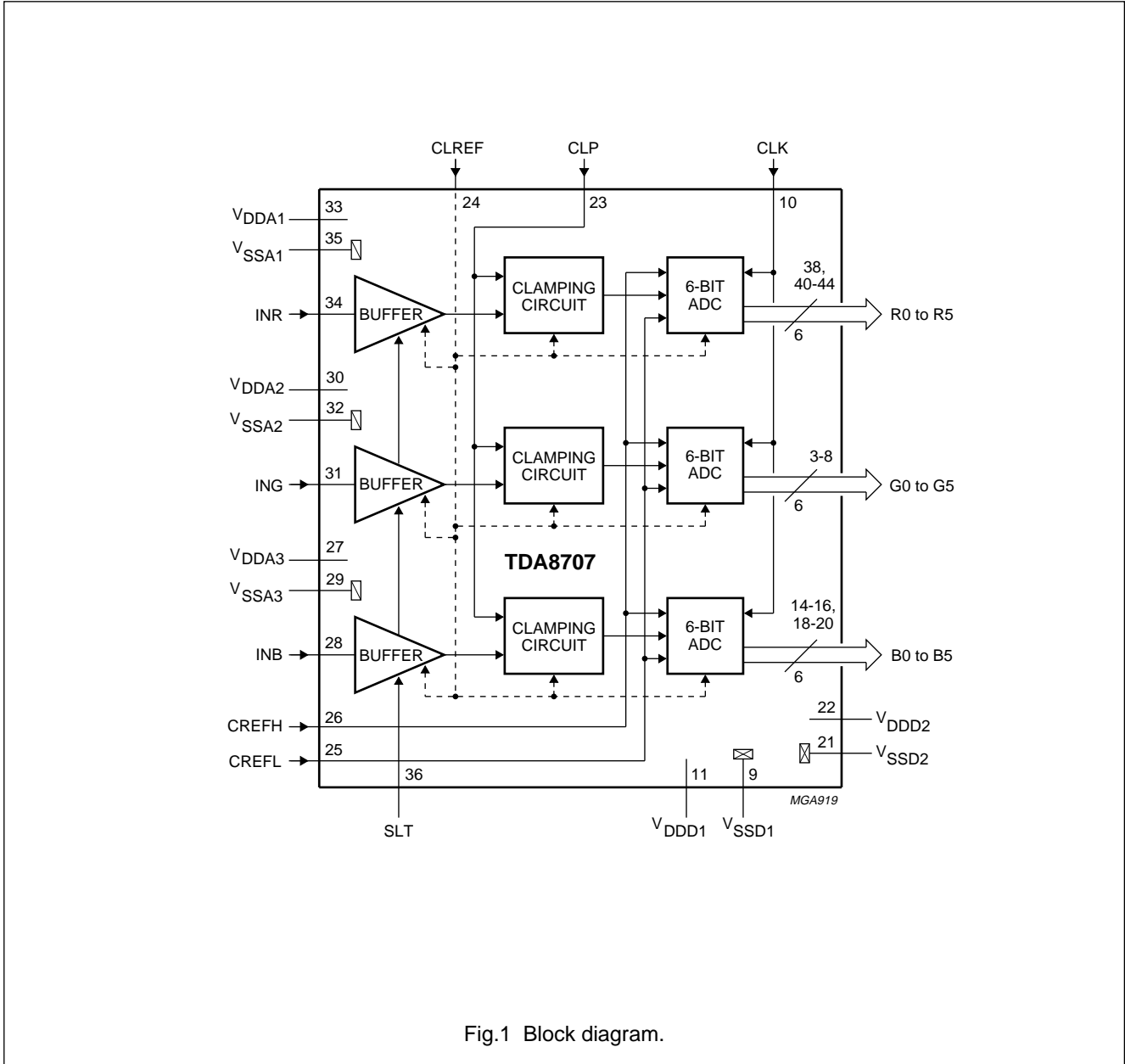


Fig.1 Block diagram.

# Triple RGB 6-bit video analog-to-digital interface

TDA8707

## PINNING

SYMBOL	PIN	DESCRIPTION
n.c.	1	not connected
n.c.	2	not connected
G0	3	GREEN data output; bit 0 (LSB)
G1	4	GREEN data output; bit 1
G2	5	GREEN data output; bit 2
G3	6	GREEN data output; bit 3
G4	7	GREEN data output; bit 4
G5	8	GREEN data output; bit 5 (MSB)
V <sub>SSD1</sub>	9	digital supply ground 1
CLK	10	clock input
V <sub>DDD1</sub>	11	digital supply voltage 1
n.c.	12	not connected
n.c.	13	not connected
B0	14	BLUE data output; bit 0 (LSB)
B1	15	BLUE data output; bit 1
B2	16	BLUE data output; bit 2
n.c.	17	not connected
B3	18	BLUE data output; bit 3
B4	19	BLUE data output; bit 4
B5	20	BLUE data output; bit 5 (MSB)
V <sub>SSD2</sub>	21	digital supply ground 2
V <sub>DDD2</sub>	22	digital supply voltage 2

SYMBOL	PIN	DESCRIPTION
CLP	23	clamping input
CLREF	24	ADCs current reference level input
CREFL	25	converter reference LOW level input
CREFH	26	converter reference HIGH level input
V <sub>DDA3</sub>	27	analog supply voltage 3
INB	28	BLUE analog input
V <sub>SSA3</sub>	29	analog supply ground 3
V <sub>DDA2</sub>	30	analog supply voltage 2
ING	31	GREEN analog input
V <sub>SSA2</sub>	32	analog supply ground 2
V <sub>DDA1</sub>	33	analog supply voltage 1
INR	34	RED analog input
V <sub>SSA1</sub>	35	analog supply ground 1
SLT	36	select input buffer ratio
n.c.	37	not connected
R0	38	RED data output; bit 0 (LSB)
n.c.	39	not connected
R1	40	RED data output; bit 1
R2	41	RED data output; bit 2
R3	42	RED data output; bit 3
R4	43	RED data output; bit 4
R5	44	RED data output; bit 5 (MSB)

Triple RGB 6-bit video analog-to-digital interface

TDA8707

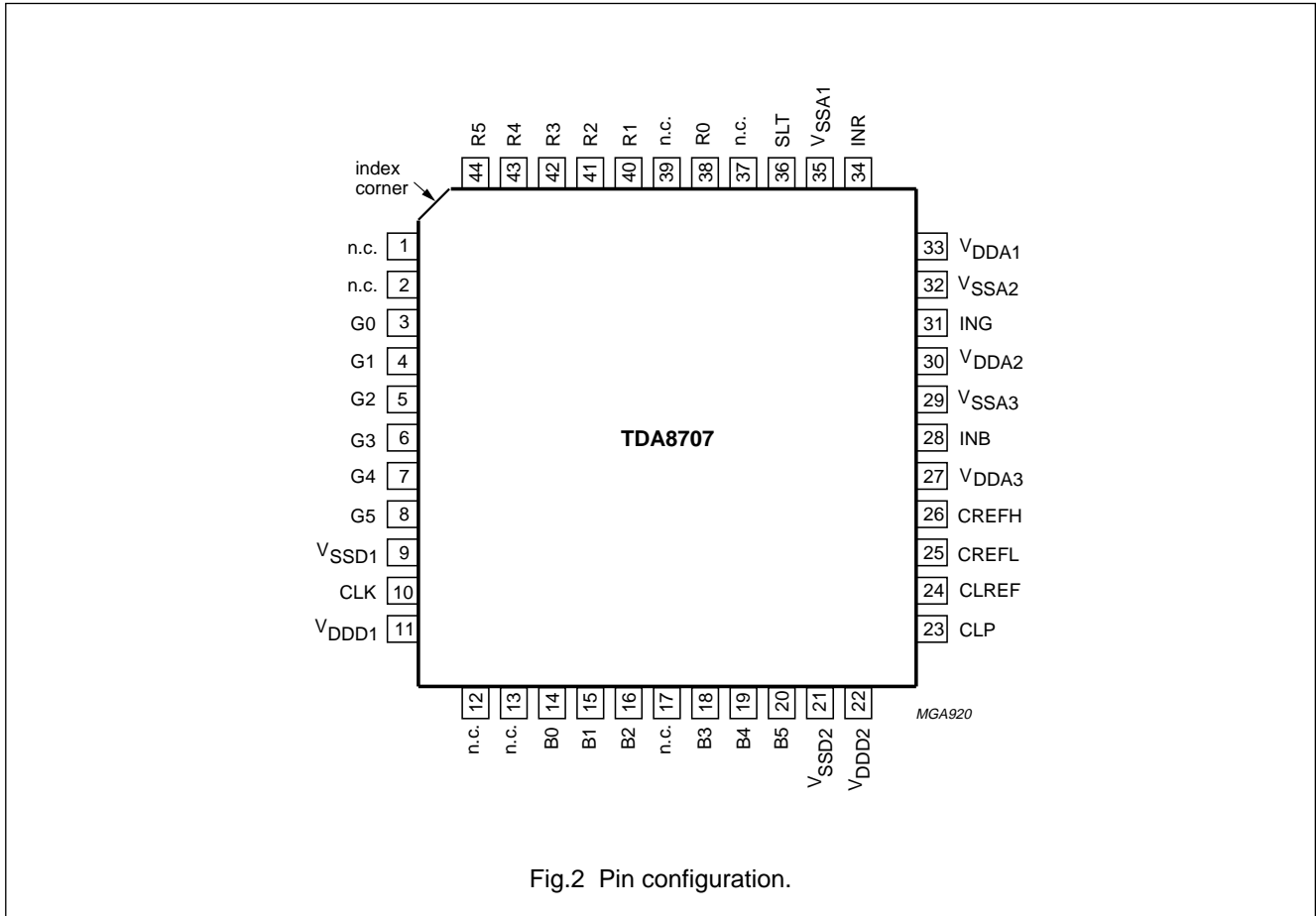


Fig.2 Pin configuration.

**LIMITING VALUES**

In accordance with the Absolute Maximum Rating System (IEC 134).

SYMBOL	PARAMETER	CONDITIONS	MIN.	MAX.	UNIT
V <sub>DDA</sub>	analog supply voltage (pins 27, 30 and 33)		-0.3	+6.5	V
V <sub>DDD</sub>	digital supply voltage (pins 11 and 22)		-0.3	+6.5	V
ΔV <sub>DD</sub>	supply voltage difference between V <sub>DDA</sub> and V <sub>DDD</sub>		-0.5	+0.5	V
V <sub>I</sub>	input voltage (pins 28, 31 and 34)	referenced to V <sub>SSA</sub>	-	V <sub>DDA</sub>	V
V <sub>i(p-p)</sub>	AC input voltage for switching (pins 10 and 23; peak-to-peak value)	referenced to V <sub>SSD</sub>	-	V <sub>DDD</sub>	V
T <sub>stg</sub>	storage temperature		-55	+150	°C
T <sub>amb</sub>	operating ambient temperature		-40	+85	°C
T <sub>j</sub>	junction temperature		-	+125	°C

**THERMAL CHARACTERISTICS**

SYMBOL	PARAMETER	VALUE	UNIT
R <sub>th j-a</sub>	thermal resistance from junction to ambient in free air	75	K/W

# Triple RGB 6-bit video analog-to-digital interface

TDA8707

## HANDLING

Inputs and outputs are protected against electrostatic discharges in normal handling. However, to be totally safe, it is desirable to take normal precautions appropriate to handling integrated circuits.

## CHARACTERISTICS (see Tables 1 and 2)

$V_{DDA} = V_{DDD} = 4.5$  to  $5.5$  V;  $V_{SSA}$  and  $V_{SSD}$  short-circuited together;  $V_{DDA} - V_{DDD} = -0.5$  to  $+0.5$  V;  
 $T_{amb} = -40$  to  $+85$  °C;  $SLT = 0$  V;  $CREFH = 2$  V,  $CREFL = 0.5$  V,  $C_L = 15$  pF; typical values measured at  
 $V_{DDA} = V_{DDD} = 5$  V;  $V_{SSA} = V_{SSD} = 0$  V and  $T_{amb} = 25$  °C; unless otherwise specified.

SYMBOL	PARAMETER	CONDITIONS	MIN.	TYP.	MAX.	UNIT
<b>Supply</b>						
$V_{DDA}$	analog supply voltage	note 1	4.5	5.0	5.5	V
$V_{DDD}$	digital supply voltage	note 1	4.5	5.0	5.5	V
$I_{DDA}$	analog supply current	note 1	–	60	80	mA
$I_{DDD}$	digital supply current	$f_{clk} = 35$ MHz	–	5	8	mA
<b>Inputs</b>						
DIGITAL INPUTS (CLK: PIN 10 AND CLP: PIN 23)						
$V_{IL}$	LOW level input voltage		0	–	0.8	V
$V_{IH}$	HIGH level input voltage		2.0	–	$V_{DDD}$	V
$I_{LI}$	input leakage current		–10	–	+10	µA
$C_I$	input capacitance		–	7	–	pF
CLAMP AND REFERENCES (CLREF: PIN 24, CREFL: PIN 25 AND CREFH: PIN 26)						
$A_{CL}$	clamping accuracy		–	±0.5	–	LSB
$I_{CL}$	input clamping current		–200	–	+400	µA
$C_{CL}$	external series clamping capacitor		10	22	–	nF
$R_{CLREF}$	external resistor on CLREF pin for current reference of converter	note 2	12	15	–	kΩ
$V_{REFH}$	converter reference voltage HIGH level applied to CREFH pin	referenced to $V_{SSA}$	1.5	2.0	2.5	V
$V_{REFL}$	converter reference voltage LOW level applied to CREFL pin	referenced to $V_{SSA}$	0.25	0.5	0.75	V
$\Delta_{REF}$	reference voltage difference between $V_{REFH}$ and $V_{REFL}$	note 3	–	1.5	–	V
$Z_{CREFL}$	internal ladder impedance between pins CREFH and CREFL		–	300	–	Ω
ANALOG INPUTS (INR: PIN 34, ING: PIN 31 AND INB: PIN 28)						
$V_{I(p-p)}$	full-range input voltage (peak-to-peak value)	SLT = logic 0; gain = 1.5; note 4	–	1.0	–	V
		SLT = logic 1; gain = 2.0; note 4	–	0.75	–	V
$I_I$	input current	clamp off	–	5	100	nA
$C_I$	input capacitance		–	7	15	pF

# Triple RGB 6-bit video analog-to-digital interface

TDA8707

SYMBOL	PARAMETER	CONDITIONS	MIN.	TYP.	MAX.	UNIT
INPUT ISOLATION						
$\alpha_{ct}$	crosstalk between INR, ING and INB		–	–	–40	dB
<b>Outputs (R0 to R5: pins 38 and 40 to 44; G0 to G5: pins 3 to 8; B0 to B5: pins 14 to 16 and 18 to 20)</b>						
$V_{OL}$	LOW level output voltage		0	–	0.5	V
$V_{OH}$	HIGH level output voltage		4.0	–	$V_{DD}$	V
<b>Switching characteristics</b>						
CLOCK INPUT CLK (see Fig.3)						
$f_{clk(max)}$	maximum clock frequency		35	–	–	MHz
$t_{CPH}$	clock pulse width HIGH		10	–	–	ns
$t_{CPL}$	clock pulse width LOW		12	–	–	ns
<b>Analog signal processing (50% clock duty cycle) <math>f_{clk} = 35</math> MHz</b>						
LINEARITY						
INL	integral non-linearity	ramp input; $T_{amb} = 25$ °C	–	$\pm 0.35$	$\pm 0.6$	LSB
DNL	differential non-linearity	ramp input; $T_{amb} = 25$ °C	–	$\pm 0.35$	$\pm 0.6$	LSB
BANDWIDTH (see Fig.5 and note 7)						
B	–3 dB analog bandwidth		–	9	–	MHz
$t_{STLH}$	analog input settling time LOW-to-HIGH	full scale square wave	–	13	16	ns
$t_{STHL}$	analog input settling time HIGH-to-LOW	full scale square wave	–	11	14	ns
HARMONICS; note 6						
$f_1$	fundamental harmonic		–	–	0	dB
$f_{all}$	harmonics, all components		–	–37	–	dB
EFFECTIVE BITS						
EB	effective bits	$f_i = 4.43$ MHz	–	5.3	–	bits
DIFFERENTIAL GAIN; note 5						
$G_{diff}$	differential gain	PAL modulated ramp	–	3	–	%
DIFFERENTIAL PHASE; note 5						
$\phi_{diff}$	differential phase	PAL modulated ramp	–	2	–	deg
<b>Timing (see Figs 3 and 4)</b>						
$t_{dS}$	sampling delay time		–	3	–	ns
$t_h$	output hold time		6	–	–	ns
$t_d$	output delay time	note 8	–	–	16	ns
$t_r$	clock rise time		3	5	–	ns
$t_f$	clock fall time		3	5	–	ns
$t_{CLP}$	active clamping duration		3	4	–	$\mu$ s

# Triple RGB 6-bit video analog-to-digital interface

TDA8707

**Notes to the characteristics**

1.  $V_{DDA}$  and  $V_{DDD}$  should be supplied from the same power supply and decoupled separately.
2. The analog supply current is directly proportional to the series resistance between  $V_{DDA}$  and CLREF.
3. CREFH and CREFL are connected respectively to the top and bottom reference ladders of the 3 analog-to-digital converters.
4.  $V_{I(p-p)} = (V_{REFL} - V_{REFH})/\text{buffer gain factor}$ . See Table for gain factor selection. When clamping at code 0 is used, active video signal amplitude  $V_{ACT}$  should be:  $V_{ACT} = \frac{(V_{REFH} - V_{REFL})}{\text{buffer gain factor}}$
5. Measurement carried out using video analyser VM700A, where the video analog signal is reconstructed through a digital-to-analog converter.
6.  $V_{I(p-p)} = \Delta\text{REF}$  with  $f_i = 4.43$  MHz.
7. The analog input settling time is the minimum time required for the input signal to be stabilized after a sharp full-scale input (square-wave signal) in order to sample the signal and obtain correct output data.
8. Output data acquisition: output data is available after the maximum delay time of  $t_d$ .

**Table 1** Typical output coding ( $V_{REFH} = 2$  V;  $V_{REFL} = 0.5$  V referenced to  $V_{SSA}$ , SLT = logic 0; buffer ratio = 1.5;  $T_{amb} = 25^\circ\text{C}$ )

STEP	$V_{I(p-p)}$	BINARY OUTPUT BITS					
		D5	D4	D3	D2	D1	D0
–	$<0.333 = \frac{V_{REFL}}{1.5}$	0	0	0	0	0	0
0	0.349	0	0	0	0	0	0
1	0.364	0	0	0	0	0	1
.	.	.	.	.	.	.	.
62	1.317	1	1	1	1	1	0
63	1.333	1	1	1	1	1	1
–	$>1.333 = \frac{V_{REFH}}{1.5}$	1	1	1	1	1	1

**Table 2** Mode selection

SLT	BUFFER RATIO	TYPICAL $V_{I(p-p)}$ FULL SCALE
0	1.5	$\frac{V_{REFH} - V_{REFL}}{1.5}$
1	2.0	$\frac{V_{REFH} - V_{REFL}}{2.0}$



# Triple RGB 6-bit video analog-to-digital interface

TDA8707

## TIMING DIAGRAMS

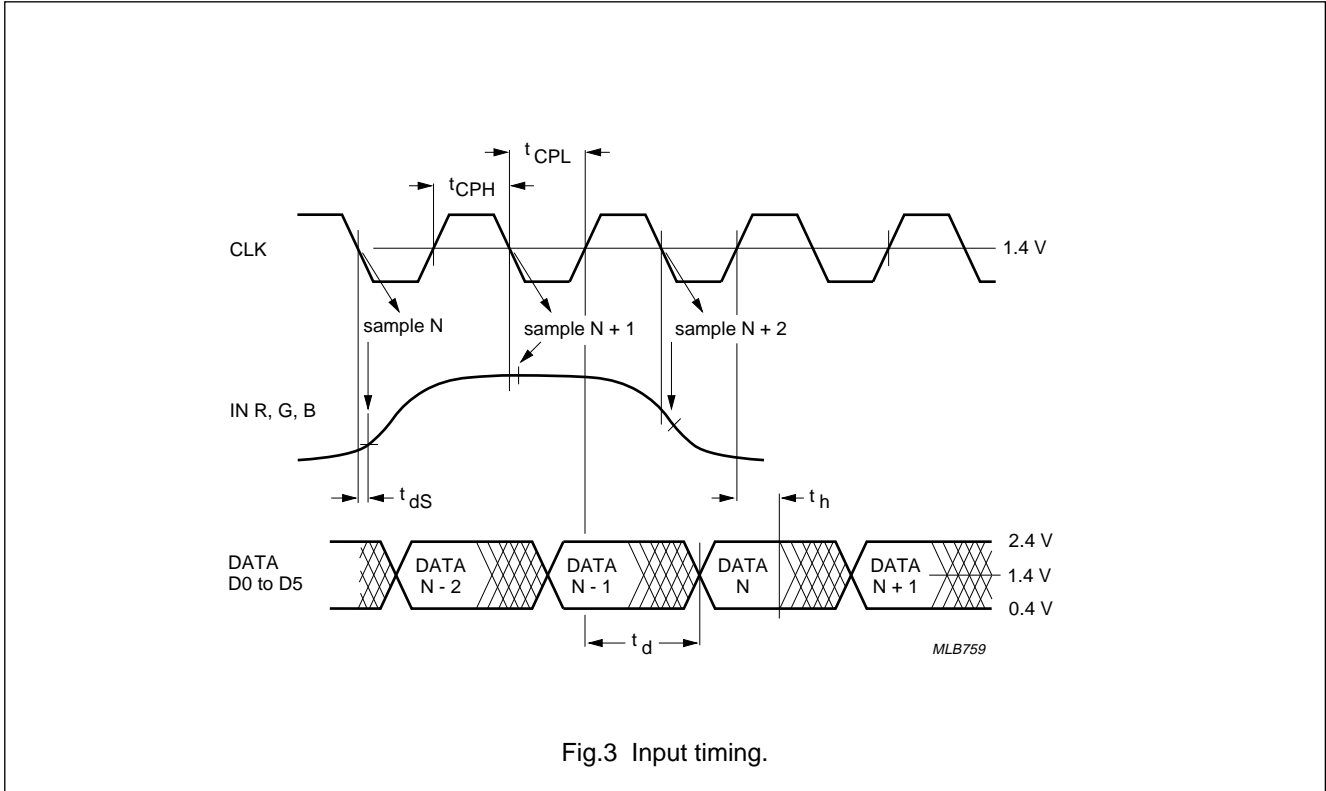


Fig.3 Input timing.

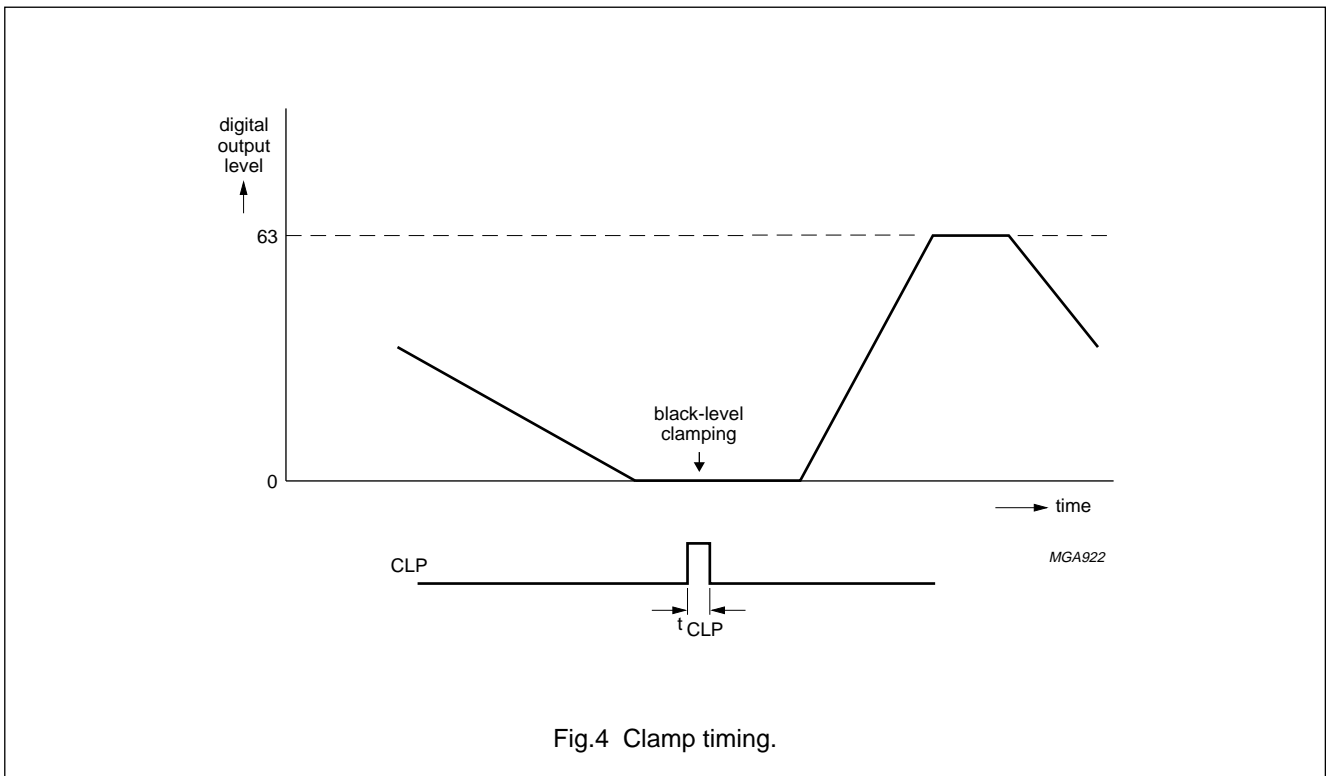


Fig.4 Clamp timing.

# Triple RGB 6-bit video analog-to-digital interface

TDA8707

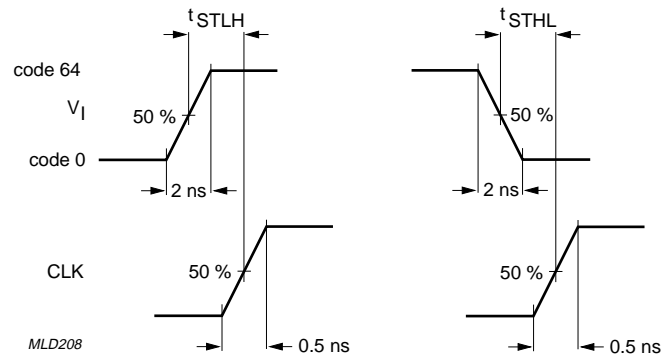
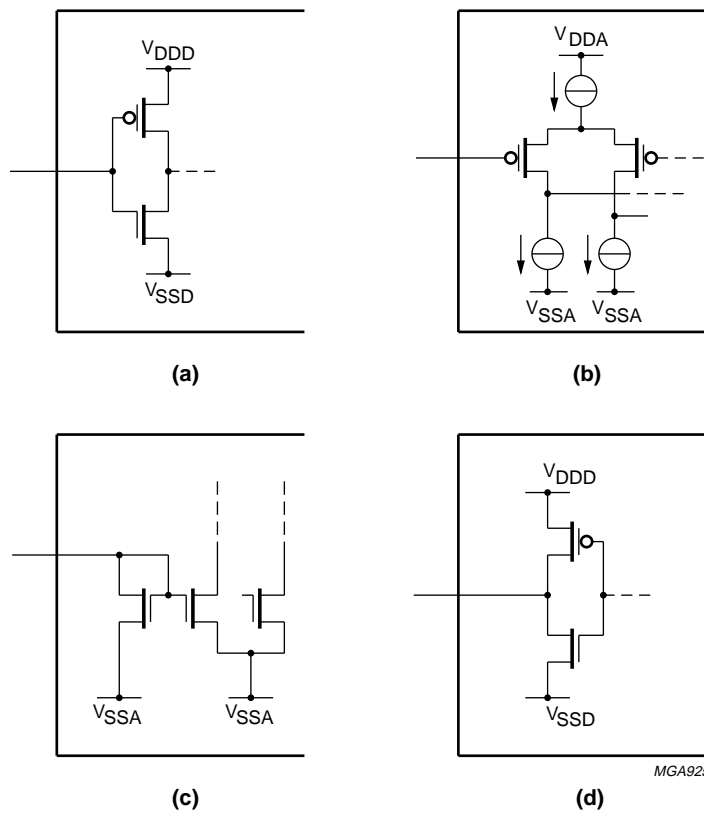


Fig.5 Analog input settling-time diagram.

Triple RGB 6-bit video analog-to-digital interface

TDA8707

INTERNAL CIRCUITRY



MGA925

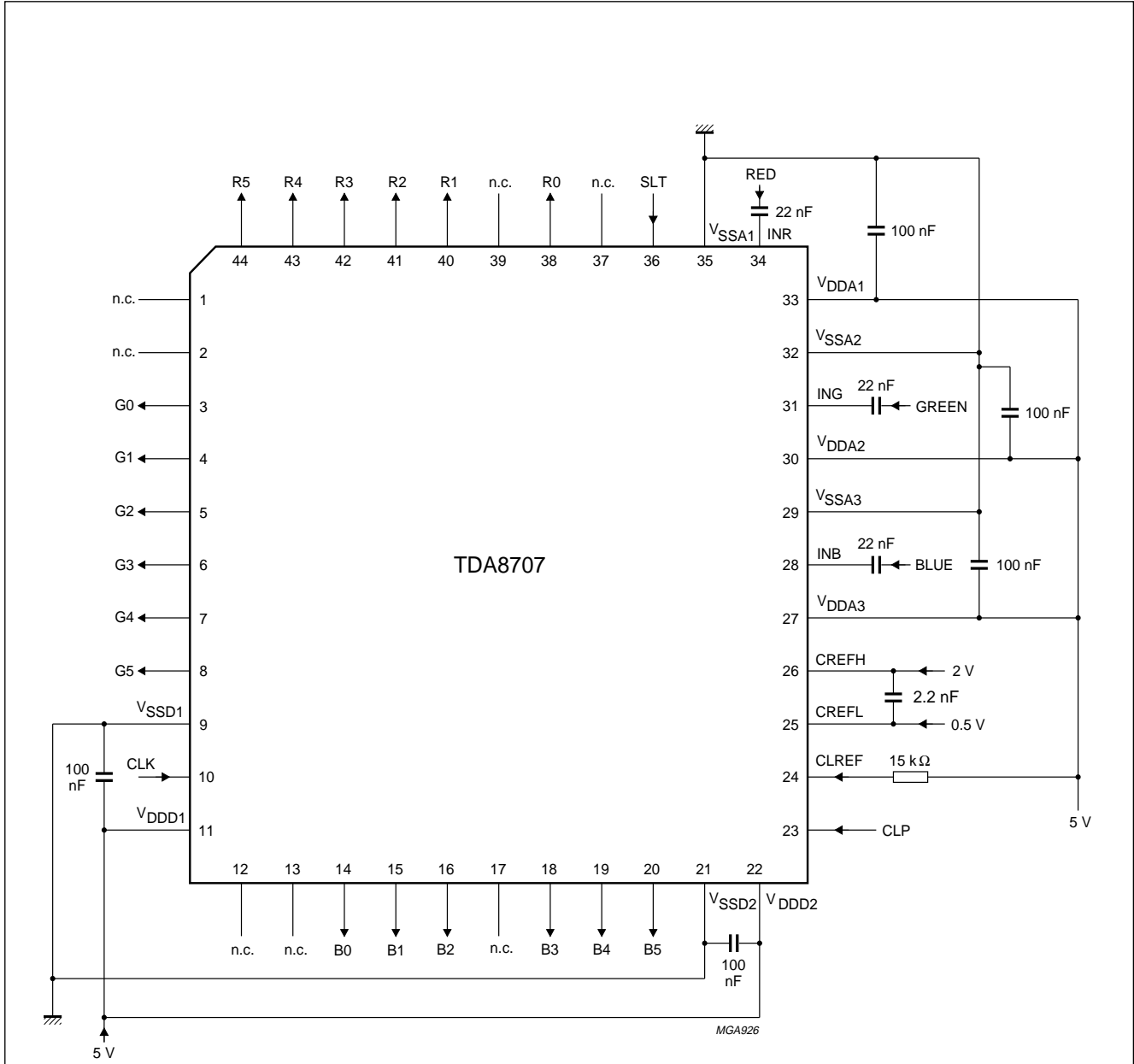
- (a) Digital inputs; pins 10, 23 and 36.
- (b) Analog inputs; pins 28, 31 and 34.
- (c) Current reference; pin 24.
- (d) Digital outputs; pins 3 to 8, 14 to 16, 18 to 20 and 40 to 44.

Fig.6 Internal circuitry.

# Triple RGB 6-bit video analog-to-digital interface

TDA8707

## APPLICATION INFORMATION



Analog and digital supplies should be separated and decoupled.  
 Supplies are not connected internally; also applicable to grounds.  
 The internal reference currents are set by the series resistor between pin V<sub>DDA</sub> and CLREF.  
 The resistor value should be in the range of 12 kΩ and 15 kΩ.  
 It is recommended, if possible, to connect pins 1, 2, 12, 13, 17, 37 and 39 to V<sub>SSD</sub>.

Fig.7 Application diagram.

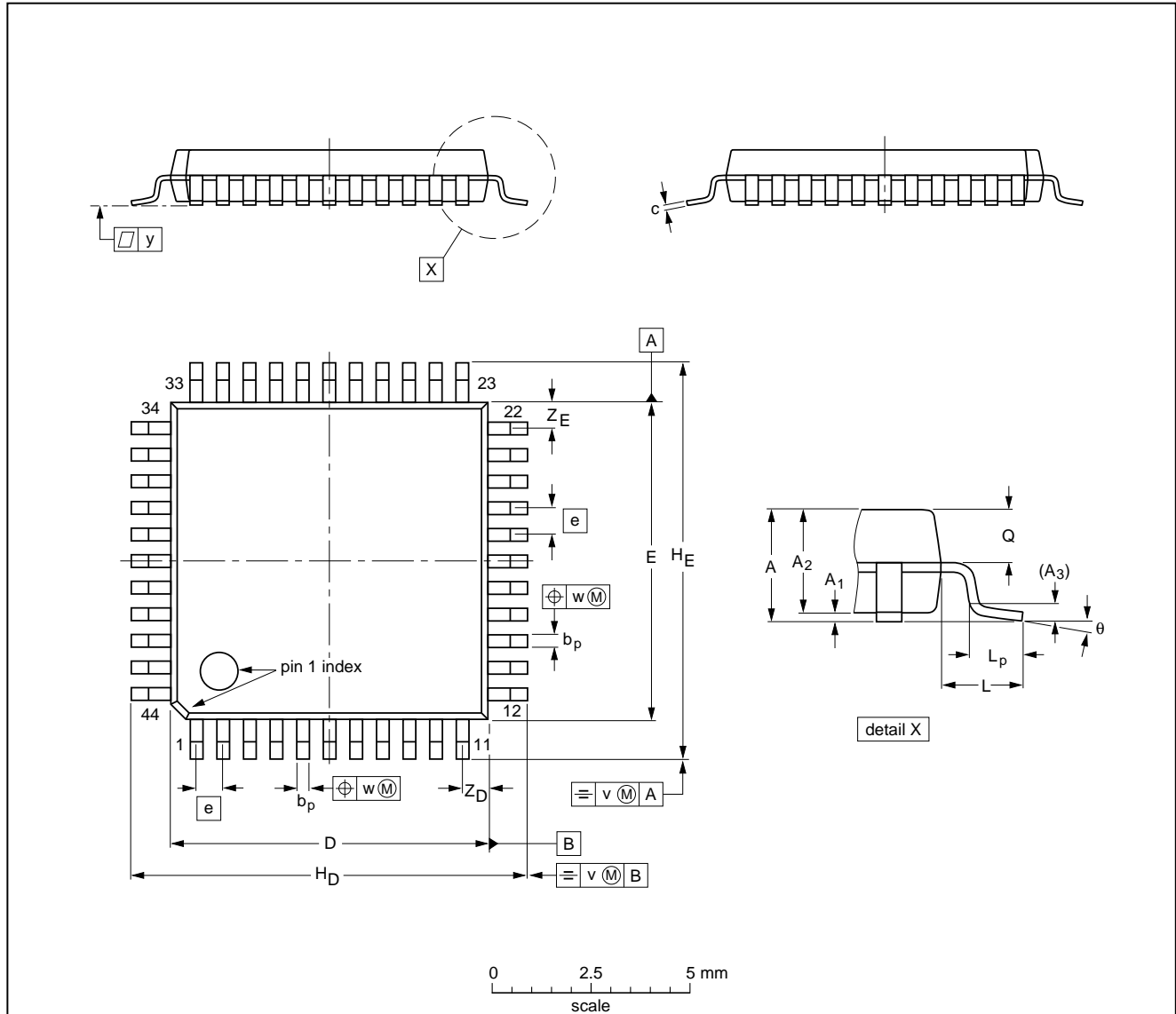
# Triple RGB 6-bit video analog-to-digital interface

TDA8707

## PACKAGE OUTLINE

QFP44: plastic quad flat package; 44 leads (lead length 1.3 mm); body 10 x 10 x 1.75 mm

SOT307-2



**DIMENSIONS (mm are the original dimensions)**

UNIT	A max.	A <sub>1</sub>	A <sub>2</sub>	A <sub>3</sub>	b <sub>p</sub>	c	D <sup>(1)</sup>	E <sup>(1)</sup>	e	H <sub>D</sub>	H <sub>E</sub>	L	L <sub>p</sub>	Q	v	w	y	Z <sub>D</sub> <sup>(1)</sup>	Z <sub>E</sub> <sup>(1)</sup>	θ
mm	2.10	0.25 0.05	1.85 1.65	0.25	0.40 0.20	0.25 0.14	10.1 9.9	10.1 9.9	0.8	12.9 12.3	12.9 12.3	1.3	0.95 0.55	0.85 0.75	0.15	0.15	0.1	1.2 0.8	1.2 0.8	10° 0°

**Note**

1. Plastic or metal protrusions of 0.25 mm maximum per side are not included.

OUTLINE VERSION	REFERENCES				EUROPEAN PROJECTION	ISSUE DATE
	IEC	JEDEC	EIAJ			
SOT307-2						92-11-17 95-02-04

## Triple RGB 6-bit video analog-to-digital interface

TDA8707

### SOLDERING

#### Introduction

There is no soldering method that is ideal for all IC packages. Wave soldering is often preferred when through-hole and surface mounted components are mixed on one printed-circuit board. However, wave soldering is not always suitable for surface mounted ICs, or for printed-circuits with high population densities. In these situations reflow soldering is often used.

This text gives a very brief insight to a complex technology. A more in-depth account of soldering ICs can be found in our *"IC Package Databook"* (order code 9398 652 90011).

#### Reflow soldering

Reflow soldering techniques are suitable for all QFP packages.

The choice of heating method may be influenced by larger plastic QFP packages (44 leads, or more). If infrared or vapour phase heating is used and the large packages are not absolutely dry (less than 0.1% moisture content by weight), vaporization of the small amount of moisture in them can cause cracking of the plastic body. For more information, refer to the Drypack chapter in our *"Quality Reference Handbook"* (order code 9397 750 00192).

Reflow soldering requires solder paste (a suspension of fine solder particles, flux and binding agent) to be applied to the printed-circuit board by screen printing, stencilling or pressure-syringe dispensing before package placement.

Several techniques exist for reflowing; for example, thermal conduction by heated belt. Dwell times vary between 50 and 300 seconds depending on heating method. Typical reflow temperatures range from 215 to 250 °C.

Preheating is necessary to dry the paste and evaporate the binding agent. Preheating duration: 45 minutes at 45 °C.

#### Wave soldering

Wave soldering is **not** recommended for QFP packages. This is because of the likelihood of solder bridging due to closely-spaced leads and the possibility of incomplete solder penetration in multi-lead devices.

**If wave soldering cannot be avoided, the following conditions must be observed:**

- **A double-wave (a turbulent wave with high upward pressure followed by a smooth laminar wave) soldering technique should be used.**
- **The footprint must be at an angle of 45° to the board direction and must incorporate solder thieves downstream and at the side corners.**

**Even with these conditions, do not consider wave soldering the following packages: QFP52 (SOT379-1), QFP100 (SOT317-1), QFP100 (SOT317-2), QFP100 (SOT382-1) or QFP160 (SOT322-1).**

During placement and before soldering, the package must be fixed with a droplet of adhesive. The adhesive can be applied by screen printing, pin transfer or syringe dispensing. The package can be soldered after the adhesive is cured.

Maximum permissible solder temperature is 260 °C, and maximum duration of package immersion in solder is 10 seconds, if cooled to less than 150 °C within 6 seconds. Typical dwell time is 4 seconds at 250 °C.

A mildly-activated flux will eliminate the need for removal of corrosive residues in most applications.

#### Repairing soldered joints

Fix the component by first soldering two diagonally-opposite end leads. Use only a low voltage soldering iron (less than 24 V) applied to the flat part of the lead. Contact time must be limited to 10 seconds at up to 300 °C. When using a dedicated tool, all other leads can be soldered in one operation within 2 to 5 seconds between 270 and 320 °C.

# Triple RGB 6-bit video analog-to-digital interface

TDA8707

## DEFINITIONS

<b>Data sheet status</b>	
Objective specification	This data sheet contains target or goal specifications for product development.
Preliminary specification	This data sheet contains preliminary data; supplementary data may be published later.
Product specification	This data sheet contains final product specifications.
<b>Limiting values</b>	
Limiting values given are in accordance with the Absolute Maximum Rating System (IEC 134). Stress above one or more of the limiting values may cause permanent damage to the device. These are stress ratings only and operation of the device at these or at any other conditions above those given in the Characteristics sections of the specification is not implied. Exposure to limiting values for extended periods may affect device reliability.	
<b>Application information</b>	
Where application information is given, it is advisory and does not form part of the specification.	

## LIFE SUPPORT APPLICATIONS

These products are not designed for use in life support appliances, devices, or systems where malfunction of these products can reasonably be expected to result in personal injury. Philips customers using or selling these products for use in such applications do so at their own risk and agree to fully indemnify Philips for any damages resulting from such improper use or sale.

## Philips Semiconductors – a worldwide company

**Argentina:** IEROD, Av. Juramento 1992 - 14.b, (1428)  
BUENOS AIRES, Tel. (541)786 7633, Fax. (541)786 9367

**Australia:** 34 Waterloo Road, NORTH RYDE, NSW 2113,  
Tel. (02)805 4455, Fax. (02)805 4466

**Austria:** Triester Str. 64, A-1101 WIEN, P.O. Box 213,  
Tel. (01)60 101-1236, Fax. (01)60 101-1211

**Belgium:** Postbus 90050, 5600 PB EINDHOVEN, The Netherlands,  
Tel. (31)40-2783749, Fax. (31)40-2788399

**Brazil:** Rua do Rocio 220 - 5<sup>th</sup> floor, Suite 51,  
CEP: 04552-903-SÃO PAULO-SP, Brazil,  
P.O. Box 7383 (01064-970),  
Tel. (011)821-2333, Fax. (011)829-1849

**Canada:** PHILIPS SEMICONDUCTORS/COMPONENTS:  
Tel. (800) 234-7381, Fax. (708) 296-8556

**Chile:** Av. Santa Maria 0760, SANTIAGO,  
Tel. (02)773 816, Fax. (02)777 6730

**China/Hong Kong:** 501 Hong Kong Industrial Technology Centre,  
72 Tat Chee Avenue, Kowloon Tong, HONG KONG,  
Tel. (852)2319 7888, Fax. (852)2319 7700

**Colombia:** IPRELENZO LTDA, Carrera 21 No. 56-17,  
77621 BOGOTA, Tel. (571)249 7624/(571)217 4609,  
Fax. (571)217 4549

**Denmark:** Prags Boulevard 80, PB 1919, DK-2300  
COPENHAGEN S, Tel. (45)32 88 26 36, Fax. (45)31 57 19 49

**Finland:** Sinikalliontie 3, FIN-02630 ESPOO,  
Tel. (358)0-615 800, Fax. (358)0-61580 920

**France:** 4 Rue du Port-aux-Vins, BP317,  
92156 SURESNES Cedex,  
Tel. (01)4099 6161, Fax. (01)4099 6427

**Germany:** P.O. Box 10 51 40, 20035 HAMBURG,  
Tel. (040)23 53 60, Fax. (040)23 53 63 00

**Greece:** No. 15, 25th March Street, GR 17778 TAVROS,  
Tel. (01)4894 339/4894 911, Fax. (01)4814 240

**India:** Philips INDIA Ltd, Shivsagar Estate, A Block,  
Dr. Annie Besant Rd. Worli, Bombay 400 018  
Tel. (022)4938 541, Fax. (022)4938 722

**Indonesia:** Philips House, Jalan H.R. Rasuna Said Kav. 3-4,  
P.O. Box 4252, JAKARTA 12950,  
Tel. (021)5201 122, Fax. (021)5205 189

**Ireland:** Newstead, Clonskeagh, DUBLIN 14,  
Tel. (01)7640 000, Fax. (01)7640 200

**Italy:** PHILIPS SEMICONDUCTORS S.r.l.,  
Piazza IV Novembre 3, 20124 MILANO,  
Tel. (0039)2 6752 2531, Fax. (0039)2 6752 2557

**Japan:** Philips Bldg 13-37, Kohnan 2-chome, Minato-ku, TOKYO 108,  
Tel. (03)3740 5130, Fax. (03)3740 5077

**Korea:** Philips House, 260-199 Itaewon-dong,  
Yongsan-ku, SEOUL, Tel. (02)709-1412, Fax. (02)709-1415

**Malaysia:** No. 76 Jalan Universiti, 46200 PETALING JAYA,  
SELANGOR, Tel. (03)750 5214, Fax. (03)757 4880

**Mexico:** 5900 Gateway East, Suite 200, EL PASO, TX 79905,  
Tel. 9-5(800)234-7381, Fax. (708)296-8556

**Netherlands:** Postbus 90050, 5600 PB EINDHOVEN, Bldg. VB,  
Tel. (040)2783749, Fax. (040)2788399

**New Zealand:** 2 Wagener Place, C.P.O. Box 1041, AUCKLAND,  
Tel. (09)849-4160, Fax. (09)849-7811

**Norway:** Box 1, Manglerud 0612, OSLO,  
Tel. (022)74 8000, Fax. (022)74 8341

**Pakistan:** Philips Electrical Industries of Pakistan Ltd.,  
Exchange Bldg. ST-2/A, Block 9, KDA Scheme 5, Clifton,  
KARACHI 75600, Tel. (021)587 4641-49,  
Fax. (021)577035/5874546

**Philippines:** PHILIPS SEMICONDUCTORS PHILIPPINES Inc.,  
106 Valero St. Salcedo Village, P.O. Box 2108 MCC, MAKATI,  
Metro MANILA, Tel. (63) 2 816 6380, Fax. (63) 2 817 3474

**Portugal:** PHILIPS PORTUGUESA, S.A.,  
Rua dr. António Loureiro Borges 5, Arquiparque - Miraflores,  
Apartado 300, 2795 LINDA-A-VELHA,  
Tel. (01)4163160/4163333, Fax. (01)4163174/4163366

**Singapore:** Lorong 1, Toa Payoh, SINGAPORE 1231,  
Tel. (65)350 2000, Fax. (65)251 6500

**South Africa:** S.A. PHILIPS Pty Ltd.,  
195-215 Main Road Martindale, 2092 JOHANNESBURG,  
P.O. Box 7430, Johannesburg 2000,  
Tel. (011)470-5911, Fax. (011)470-5494

**Spain:** Balmes 22, 08007 BARCELONA,  
Tel. (03)301 6312, Fax. (03)301 42 43

**Sweden:** Kottbygatan 7, Akalla. S-164 85 STOCKHOLM,  
Tel. (0)8-632 2000, Fax. (0)8-632 2745

**Switzerland:** Allmendstrasse 140, CH-8027 ZÜRICH,  
Tel. (01)488 2211, Fax. (01)481 77 30

**Taiwan:** PHILIPS TAIWAN Ltd., 23-30F, 66, Chung Hsiao West  
Road, Sec. 1. Taipeh, Taiwan ROC, P.O. Box 22978,  
TAIPEI 100, Tel. (886) 2 382 4443, Fax. (886) 2 382 4444

**Thailand:** PHILIPS ELECTRONICS (THAILAND) Ltd.,  
209/2 Sanpavuth-Bangna Road Prakanong,  
Bangkok 10260, THAILAND,  
Tel. (66) 2 745-4090, Fax. (66) 2 398-0793

**Turkey:** Talatpasa Cad. No. 5, 80640 GÜLTEPE/ISTANBUL,  
Tel. (0212)279 27 70, Fax. (0212)282 67 07

**Ukraine:** Philips UKRAINE, 2A Akademika Koroleva str., Office 165,  
252148 KIEV, Tel. 380-44-4760297, Fax. 380-44-4766991

**United Kingdom:** Philips Semiconductors LTD.,  
276 Bath Road, Hayes, MIDDLESEX UB3 5BX,  
Tel. (0181)730-5000, Fax. (0181)754-8421

**United States:** 811 East Arques Avenue, SUNNYVALE,  
CA 94088-3409, Tel. (800)234-7381, Fax. (708)296-8556

**Uruguay:** Coronel Mora 433, MONTEVIDEO,  
Tel. (02)70-4044, Fax. (02)92 0601

**Internet:** <http://www.semiconductors.philips.com/ps/>

**For all other countries apply to:** Philips Semiconductors,  
International Marketing and Sales, Building BE-p,  
P.O. Box 218, 5600 MD EINDHOVEN, The Netherlands,  
Telex 35000 phtcnl, Fax. +31-40-2724825

SCDS47

© Philips Electronics N.V. 1996

All rights are reserved. Reproduction in whole or in part is prohibited without the prior written consent of the copyright owner.

The information presented in this document does not form part of any quotation or contract, is believed to be accurate and reliable and may be changed without notice. No liability will be accepted by the publisher for any consequence of its use. Publication thereof does not convey nor imply any license under patent- or other industrial or intellectual property rights.

Printed in The Netherlands

537021/1100/03/pp16  
Document order number:

Date of release: 1996 Feb 01  
9397 750 00605