

TEW4922 is designed and approved to be used as a receive transformer with

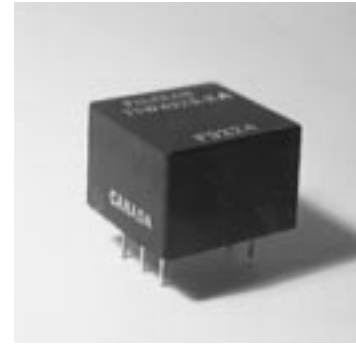
MITEL MT89760/-60B and MT89790/-90B devices.

Fully encapsulated in epoxy.

Also suitable as input/output transformer for other makes of T1/CEPT interface devices.

Typical applications are:

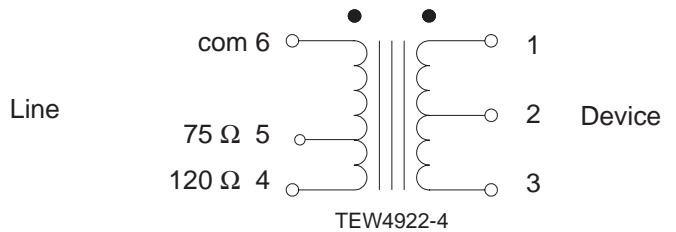
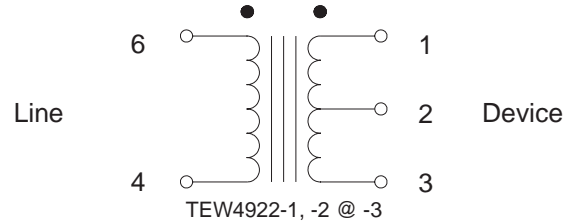
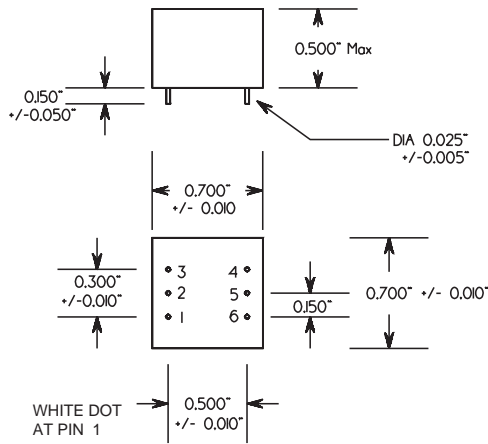
- Primary rate ISDN network nodes.
- PBX or computer to T1/CEPT Digital Trunks.
- High speed data link using T1/CEPT Digital Trunk.



BABT certified for reinforced insulation to EN60950 & EN41003.

Cert #: CR/T/0052

MECHANICAL



ELECTRICAL SPECIFICATION

	TEW4922-1	- 2	- 3	- 4
Devices	MT89760 MT89760B	MT89790 MT89790B	MT89790 MT89790B	MT89790 MT89790B
Application	T1	CEPT	CEPT	CEPT
Line Impedance	100 Ω	120 Ω	75 Ω	75/120 Ω
DCR (Ohms)	(1 - 3) (6 - 4)	1.55 1.08	1.11 0.55	1.1 0.7
Turns ratio	(1 - 2) : (2 - 3) : (6 - 4) (1 - 2) : (2 - 3) : (6 - 5)	1 : 1 : 1 —	1 : 1 : 1 —	1 : 1 : 1.26 1 : 1 : 1
Inductance (mH)	(6 - 4)	> 3.5	> 2.8	> 0.70 > 2.8
Longitud. Bal.	T1.408	I.431	I.431	I.431
Return Loss	T1.408	G.703	G.703 BS6328	G.703 BS6328
Dielectric Strength, Volts RMS	4000V	4000V	4000V	4000V
Temperatures, Operating Storage		0° to 50°C -20° to 80°C		

ISSUE: D , 95/04/25 4922.chp