

TEW4923 is designed/approved for use as an input/output transformer in the ISDN S-Interface.

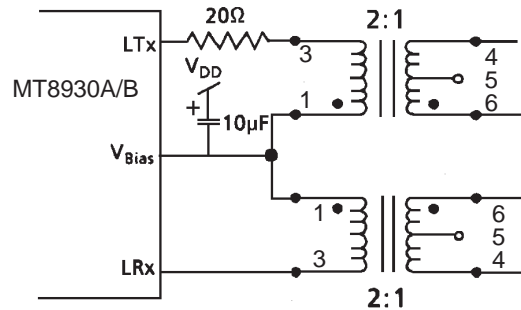
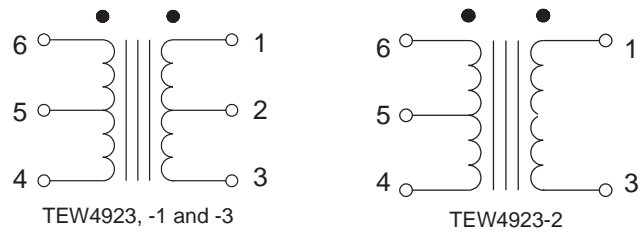
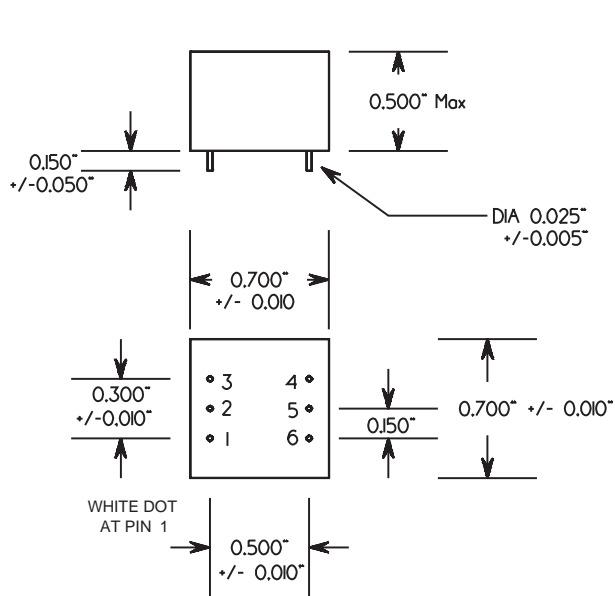
Features

- Certified to the safety requirements of : EN41003 and EN60959. **BABT CR/T/0053.**
- Fully encapsulated in epoxy for mechanical protection and to insure the dielectric strength requirements.

TEW4923	AMD	79C30A
"	National	TP3420
"	Siemens	PEB2080
"	Siemens	PEB2081
"	Siemens	PEB2085
"	Siemens	PEB2086
TEW4923 - 1	Intel	29C53
TEW4923 - 2	Mitel	MT8930A
"	Mitel	MT8930B
"	Mitel	MT8931B
TEW4923 - 3	Motorola	MC145474
	Motorola	MC145475
TEW4923 - 4	Motorola	MC145574



MECHANICAL



Connection of TEW4923-2

ELECTRICAL	TEW4923	TEW4923-1	TEW4923-2	TEW4923-3	TEW4923-4	
Turns ratio	(1 - 3) : (6 - 4)	2 : 1	1.8 : 1	2 : 1	1 : 1	2.5 : 1
DCR (Ohms)	(1 - 3)	5.4	6.7	8.4	3.7	12.8
	(6 - 4)	2.7	3.2	3.7	3.2	3.2
Inductance (mH)	(6 - 4)	> 22	> 22	> 22	> 22	> 22
Leakage Ind. (µH)	(6 - 4)	< 6.0	< 6.0	< 12	< 6.0	< 12
L..C.L. (dB)	10 - 300 KHz	> 54	> 54	> 54	> 54	> 54
Output/Input Impedance	Conforms to the impedance mask given in CCITT I.430.					
Pulse Shape	Conforms to the pulse mask given in CCITT I.430 with 50 and 400 ohms terminations.					
Dielectric Strength (Volts rms)	4000	4000	4000	4000	4000	

ISSUE: G 96/02/29 TEW4923