



TF218

JFET

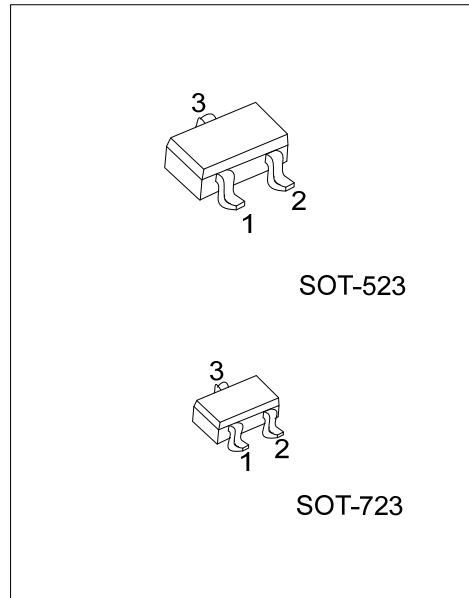
N-CHANNEL JUNCTION FIELD EFFECT TRANSISTOR

■ **DESCRIPTION**

The UTC **TF218** is an N-channel junction field effect transistor, and it can be specially used in electronic condenser microphone specially.

■ **FEATURES**

* Good voltage characteristics and transient characteristics.



■ **ORDERING INFORMATION**

Ordering Number		Package	Pin Assignment			Packing
Lead Free	Halogen Free		1	2	3	
TF218L-xx-AN3-R	TF218G-xx-AN3-R	SOT-523	D	S	G	Tape Reel
TF218L-xx-AQ3-R	TF218G-xx-AQ3-R	SOT-723	D	S	G	Tape Reel

Note: Pin Assignment: D: Drain S: Source G: Gate

<p>TF218G-xx-AN3-R</p>	<p>(1) R: Tape Reel (2) AN3: SOT-523, AQ3: SOT-723 (3) x: refer to Classification of I_{DSS} (4) G: Halogen Free and Lead Free, L: Lead Free</p>
------------------------	--

■ **MARKING**

TF218-E3	TF218-E4	TF218-E5

■ ABSOLUTE MAXIMUM RATING (T_A=25°C, unless otherwise specified)

PARAMETER	SYMBOL	RATINGS	UNIT
Gate to Drain Voltage	V _{GDO}	-20	V
Gate Current	I _G	10	mA
Drain Current	I _D	1	mA
Power Dissipation	P _D	100	mW
Junction Temperature	T _J	+150	°C
Storage Temperature	T _{STG}	-55 ~ +150	°C

Note: Absolute maximum ratings are those values beyond which the device could be permanently damaged. Absolute maximum ratings are stress ratings only and functional device operation is not implied.

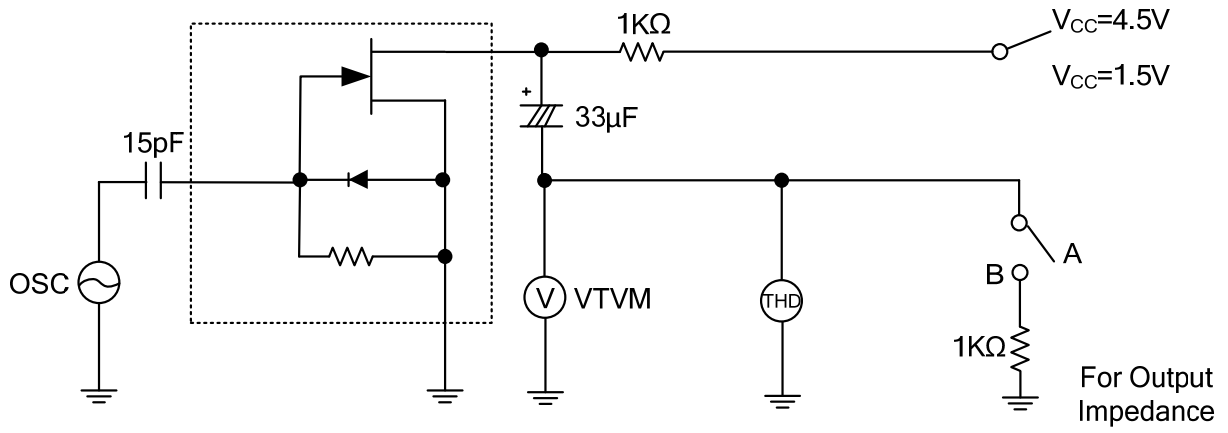
■ ELECTRICAL CHARACTERISTICS (T_A=25°C, unless otherwise specified)

PARAMETER	SYMBOL	TEST CONDITIONS	MIN	TYP	MAX	UNIT
G-D Breakdown Voltage	BV _{GDO}	I _G =-100uA	-20			V
Gate Off Voltage	V _{GS(OFF)}	V _{DS} =5.0V, I _D =1uA	-0.2	-0.6	-1.0	V
Drain Current	I _{DSS}	V _{DS} =2.0V, V _{GS} =0	100		350	μA
Forward Transfer Admittance	YFS	V _{DS} =2.0V, V _{GS} =0, f=1KHz	0.65	1.0		ms
Input Capacitance	CISS	V _{DS} =5.0V, V _{GS} =0, f=1MHz		3.5		pF
Reverse Transfer Capacitance	CRSS	V _{DS} =5.0V, V _{GS} =0, f=1MHz		0.65		pF
Voltage Gain	G _V	V _{IN} =10mV, f=1KHz		-3.0		dB
Reduced Voltage Characteristic	ΔG _{VV}	V _{IN} =10mV, f=1KHz V _{CC} =4.5→1.5V		-1.2	-3.5	dB
Frequency Characteristic	ΔG _{Vf}	f=1KHz~110Hz			-1.0	dB
Input Resistance	Z _{IN}	f=1KHz	25			MΩ
Output Resistance	Z _O	f=1KHz		1000		Ω
Total Harmonic Distortion	THD	V _{IN} =30mV, f=1KHz		1.2		%
Output Noise Voltage	V _{NO}	V _{IN} =0, A Curve			-110	dB

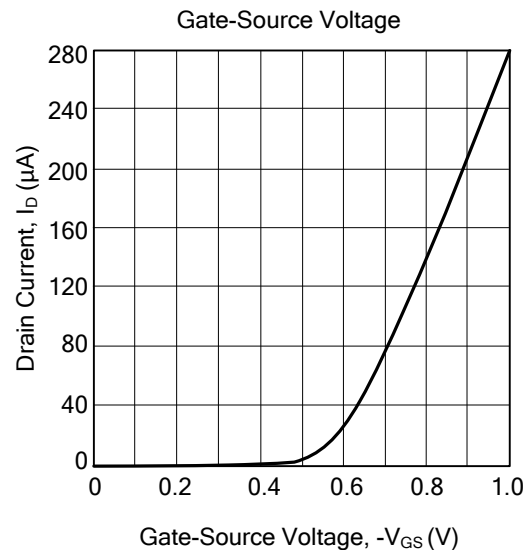
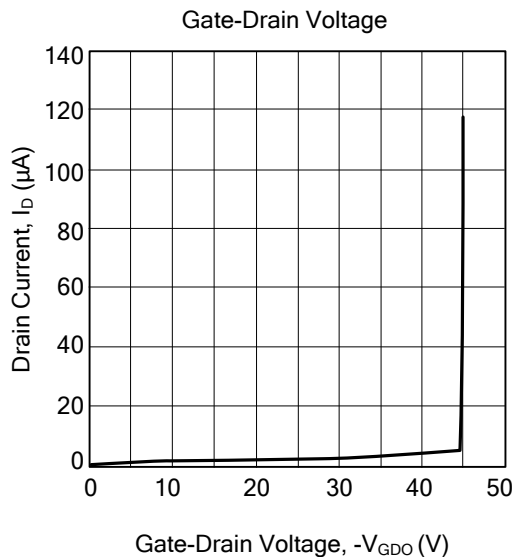
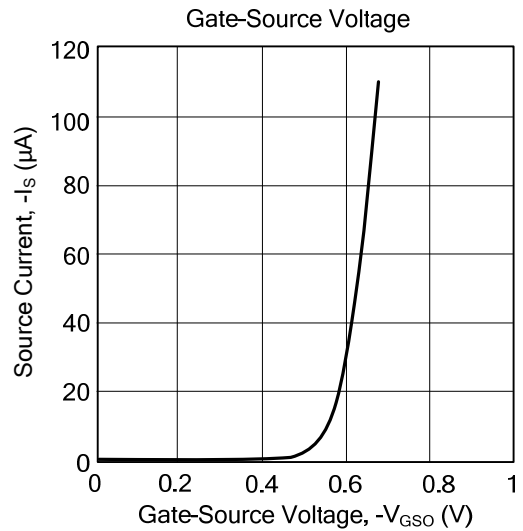
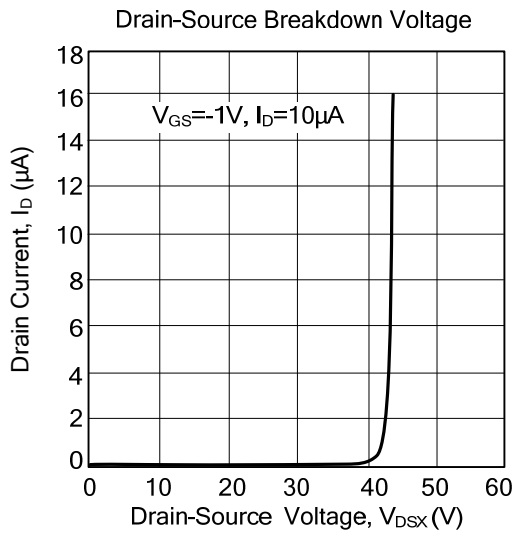
■ CLASSIFICATION OF I_{DSS}

RANK	E3	E4	E5
RANGE	100-170	140-240	210-350

■ TEST CIRCUIT ($T_A=25^\circ\text{C}$, unless otherwise specified)



■ TYPICAL CHARACTERISTICS



UTC assumes no responsibility for equipment failures that result from using products at values that exceed, even momentarily, rated values (such as maximum ratings, operating condition ranges, or other parameters) listed in products specifications of any and all UTC products described or contained herein. UTC products are not designed for use in life support appliances, devices or systems where malfunction of these products can be reasonably expected to result in personal injury. Reproduction in whole or in part is prohibited without the prior written consent of the copyright owner. UTC reserves the right to make changes to information published in this document, including without limitation specifications and product descriptions, at any time and without notice. This document supersedes and replaces all information supplied prior to the publication hereof.