
Features

- 1024 x 1024 Pixels with Memory Zone
- Up to 30 Images/Second
- Built-in Antiblooming Device Providing an Electric Shutter Function
- Pixel: 14 μm x 14 μm
- Image Zone: 14.34 x 14.34 mm^2
- Two Outputs at 20 MHz Each
- Readout Through 1 or 2 Outputs
- Possible Binning 2 x 2
- Optical Shield Against Parasitic Reflexions and Stray Light
- A/R Window in 400 - 700 nm Bandwidth

Description

The TH7888A is particularly designed for high data rate applications (up to 30 pictures/second in 1024 x 1024 progressive scan format) in the medical and industrial fields. This area array image sensor consists of a 1024 x 1024 pixels (14 μm x 14 μm) image zone associated with a memory zone (masked with an optical shield). To increase the data rate, two separate outputs are provided, which can be used for parallel readout (the readout frequency is up to 20 MHz/output, leading to a total readout frequency of 40 MHz). These two outputs allow three readout modes (single or dual port). The TH7888A is designed with an antiblooming structure which provides an electronic shutter capability. Moreover, the 2 x 2 binning mode is available on this sensor, providing an image size of 512 x 512 pixels with 28 μm x 28 μm pixels. The TH7888A package is sealed with a specific anti-reflective window optimized in the 400 - 700 nm spectrum bandwidth on the sealed version.



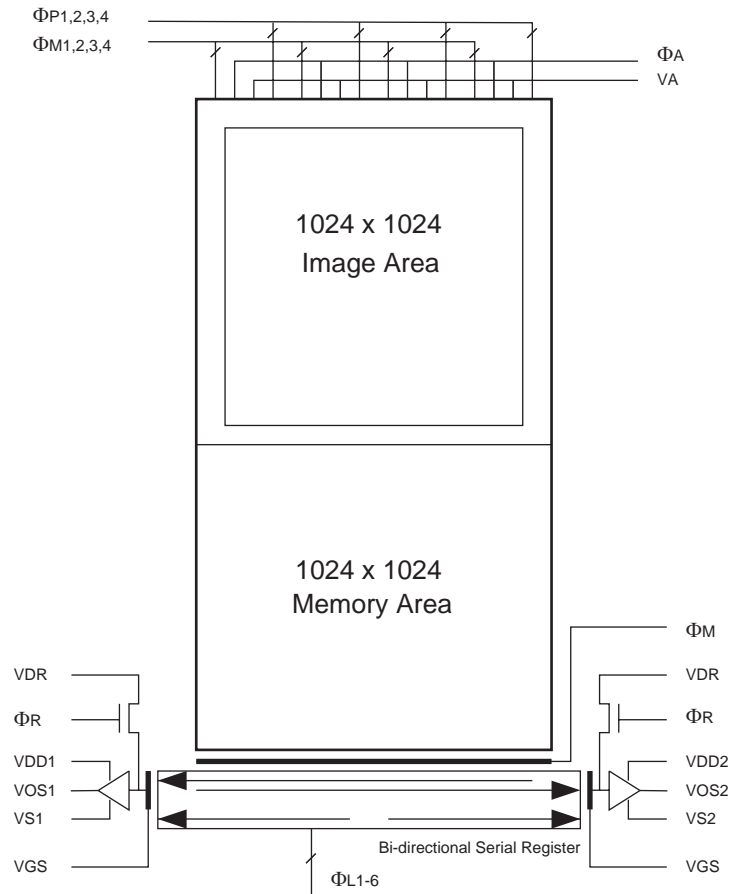
Area Array CCD Image Sensor (1024 x 1024 Pixels with Antiblooming)

TH7888A

Rev. 1999A-IMAGE-09/03



Figure 1. TH7888A General Sensor Organization



Functional Overview

Extra dark lines are provided for use as dark references or for smearing digital correction.

Extra dark pixels are provided for dark line reference clamping. Each frame consists of 1056 video lines:

- 1 dummy line
- 12 useful dark reference lines (with optical shield)
- 3 isolation lines
- 1024 useful lines
- 3 isolation lines
- 12 dark reference lines (with optical shield)
- 1 dummy line

Each video line is made up of 546 or 1058 elements, depending on the readout mode (single or dual port mode):

- 12 inactive prescan elements
- 1 isolation prescan element
- 16 useful dark references (with optical shield)
- 5 isolation elements
- 512 or 1024 useful video pixels

Pin Description

Figure 2. Pin Overview

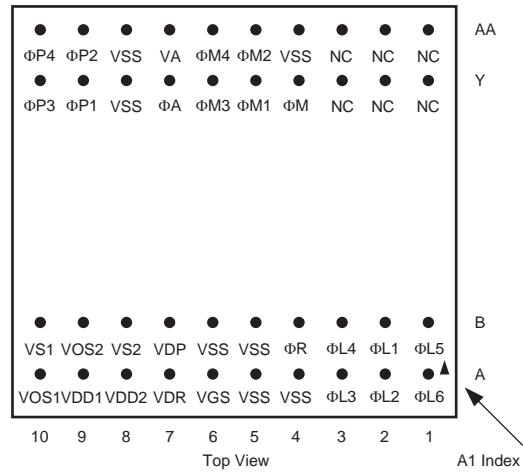


Table 1. Pin Description

Pin Number	Symbol	Designation
Y9	ΦP1	Image zone clocks
AA9	ΦP2	
Y10	ΦP3	
AA10	ΦP4	
Y5	ΦM1	Memory zone clocks
AA5	ΦM2	
Y6	ΦM3	
AA6	ΦM4	
Y4	ΦM	Memory to register clock
B2	ΦL1	Readout register clocks
A2	ΦL2	
A3	ΦL3	
B3	ΦL4	
B1	ΦL5	
A1	ΦL6	
A9	VDD1	Output amplifier drain supply
A8	VDD2	
B10	VS1	Output amplifier source supply
B8	VS2	
B7	VDP	Protection drain bias
A6	VGS	Register output gate bias
A10	VOS1	Video outputs
B9	VOS2	
B4	ΦR	Reset clock

Table 1. Pin Description (Continued)

Pin Number	Symbol	Designation
Y7	ΦA	Antiblooming gate clock
A7	VDR	Reset bias
AA7	VA	Antiblooming diode bias
A4, A5, B5, B6	VSS	Substrate bias
Y8, AA4, AA8	VSS	

Geometrical Characteristics

Figure 3. Pixel Layout

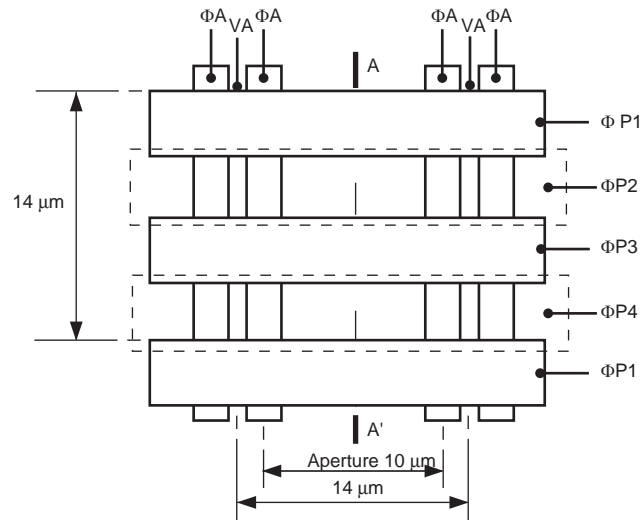
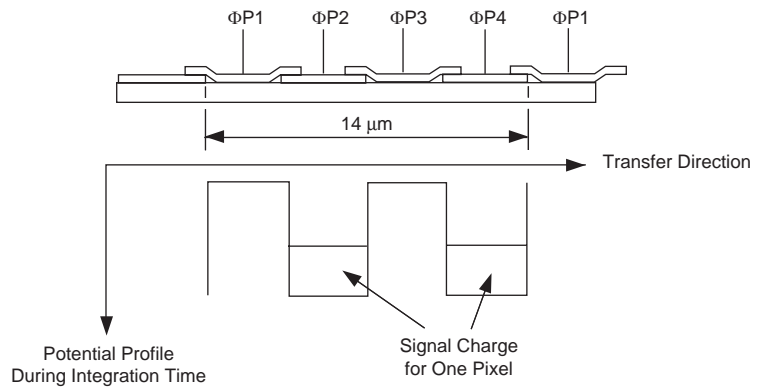


Figure 4. AA Cross Section



Absolute Maximum Ratings*

Storage Temperature	-55°C to +150°C
Operating Temperature	-40°C to +85°C
Thermal Cycling.....	15°C/mn
Maximum Applied Voltages:	
• Pins: Y9, AA9, Y10, AA10, Y5, AA5, Y6, AA6, Y4, B2, A2, A3, B3, B1, A1, B4, A6	-0.3 V to 15 V
• Pins: A9, A8, B10, B8, B7, A7, AA7	-0.3 V to 15.5 V
• Pin: Y7	-0.3 V to 12 V
• Pins: A4, A5, B5, B6, Y8, AA4, AA8.....	0 V (ground)

*NOTICE: *Stresses above those listed under absolute maximum ratings may cause permanent device failure. Functionality at or above these limits is not implied. Exposure to absolute maximum ratings for extended periods may affect device reliability. Operating range defines the limits within which functionality is guaranteed. Electrical limits of applied signals are given in the operating conditions section.

Operating Precautions

Shorting the video outputs to any pin, even temporarily, can permanently damage the on-chip output amplifier.



Operating Conditions

Table 2. DC Characteristics

Parameter	Symbol	Value			Unit
		Min	Typ	Max	
Output amplifier drain supply	VDD1, VDD2	14.5	15	15.5	V
Protection drain bias	VDP	14.5	15	15.5	V
Reset bias	VDR	14.5	15	15.5	V
Antiblooming diode bias	VA	14.5	15	15.5	V
Register output gate bias	VGS	2.2	2.5	2.8	V
Output amplifier source supply	VS1 ⁽²⁾ , VS2		0		V
Ground ⁽¹⁾	VSS ⁽²⁾		0		V

- Notes: 1. Ground: note that the package metal back is grounded.
 2. In dynamic mode, to avoid possible damage to the device, the addition of a Schottky diode is recommended (for example; diode reference BAR 43S) between VS1 and VSS ground in order to increase the potential on VS1, thus avoiding any direct mode diode current during clock transitions.

Readout Mode

The serial readout register is operated in a two-phase transfer mode. However, there are 6 separate command electrodes that should be connected differently, depending on the required readout mode. The following table gives the connections to be made for each mode.

Table 3. Readout Modes

Readout Modes	1 Output, VOS 1	1 Output, VOS2 (Mirror Effect)	2 Outputs (Parallel)
Drive Clocks (Signals)			
$\Phi L1$	Pins B2, B3, B1	Pins B2, A3, A1	Pins B2, B3, A1
$\Phi L2$	Pins A2, A3, A1	Pins A2, B3, B1	Pins A2, A3, B1

Table 4. Timing Parameters

Definition	Symbol	Comments
Vertical transfer period	T_V	Nominal value = 800 nm
Vertical transfer subdivision	T_O	$T_V = 8 \times T_O$
Rise time	t_r	For vertical transfer clocks (between 10% and 90% of the transition time)
Fall time	t_f	
Readout register clock transition time	t_1	
Reset clock transition time	t_2	
Delay between output reset signal and reset clock	t_d	

Timing Diagrams

The following diagrams describe the 20 MHz readout frequency and 1.25 MHz vertical transfer frequency.

Figure 5. Frame Timing Diagram

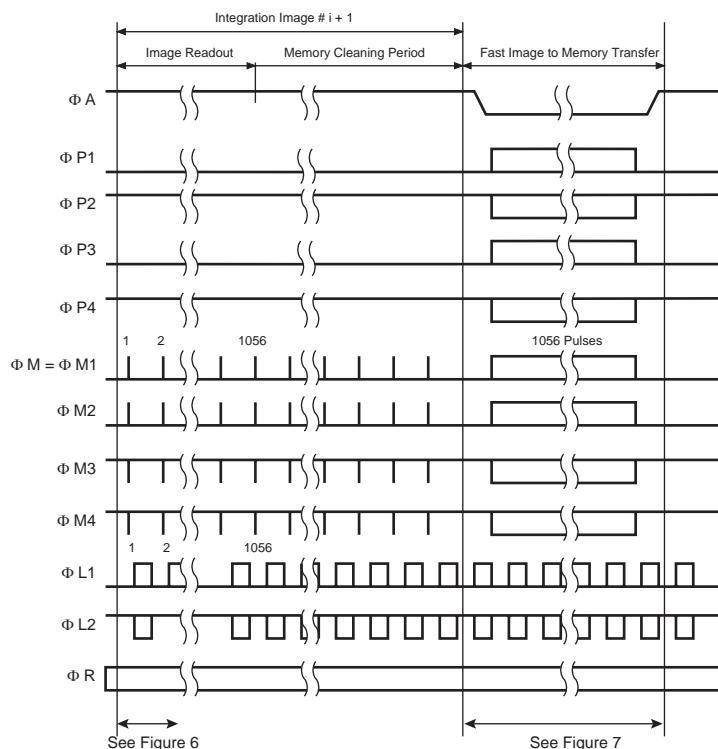
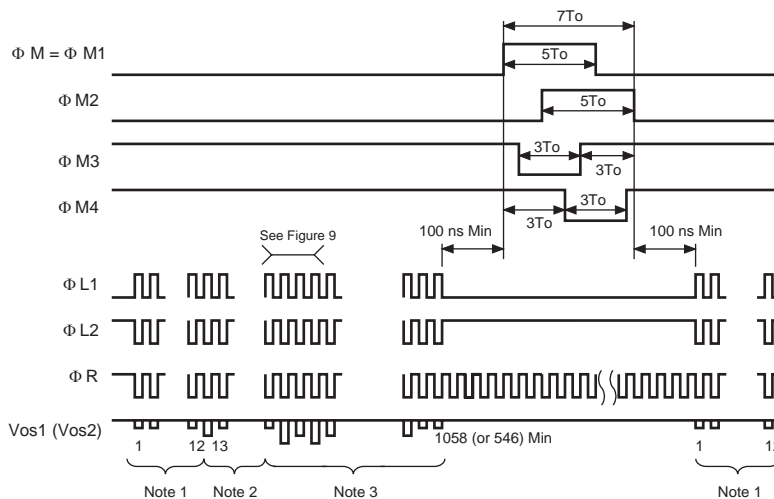


Figure 6. Line Timing Diagram



- Notes:
1. 12 pre-scan elements
 2. 1 isolation element, 16 dark reference pixels, 5 isolation elements
 3. 1024 useful video pixels (single output readout mode), 512 useful video pixels (dual output readout mode)

Figure 7. Vertical Transfer During Image to Memory Zone Transfer

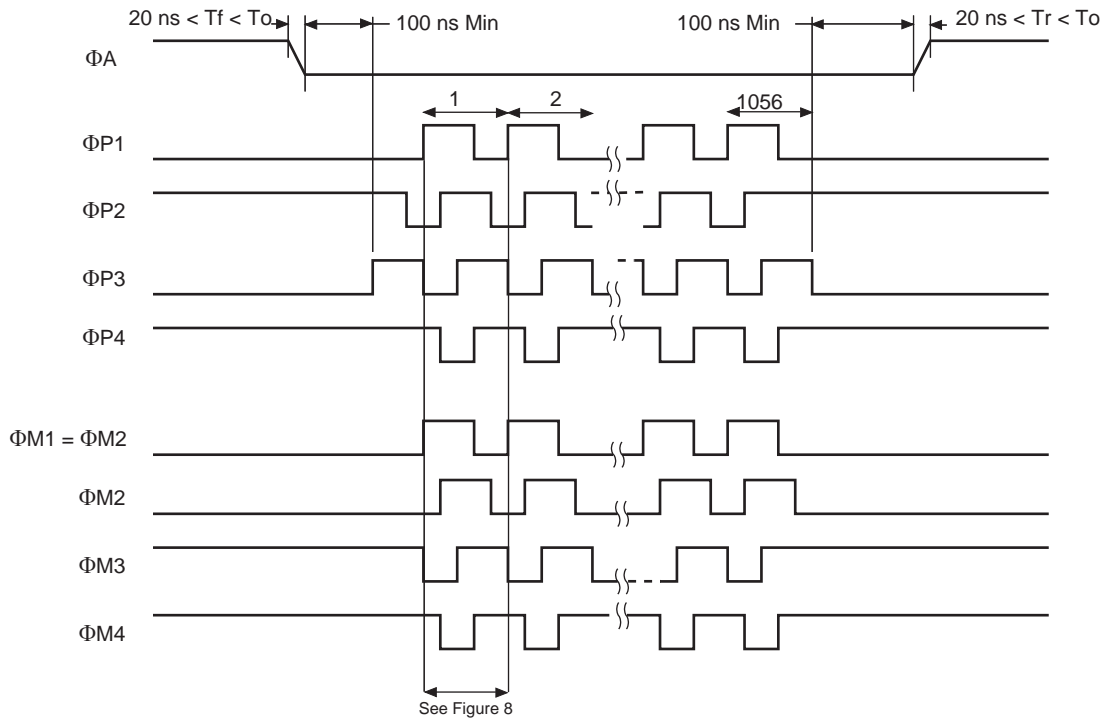
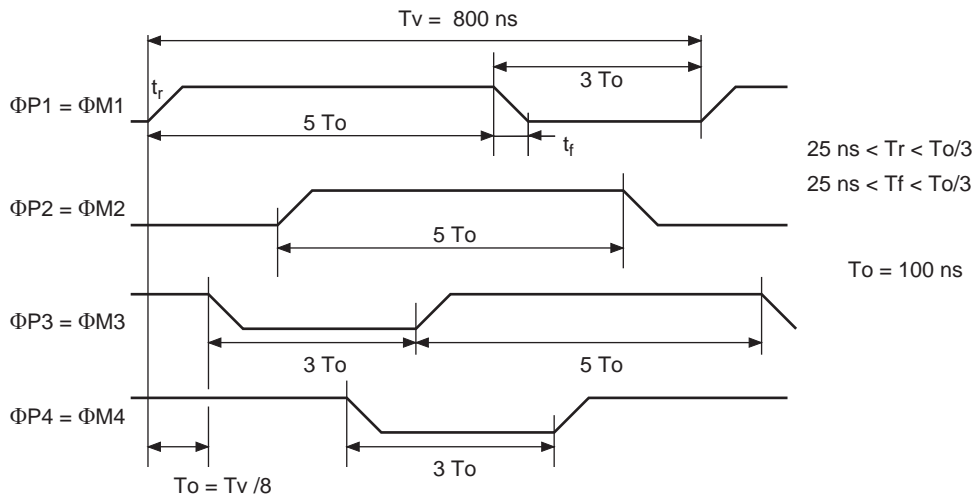
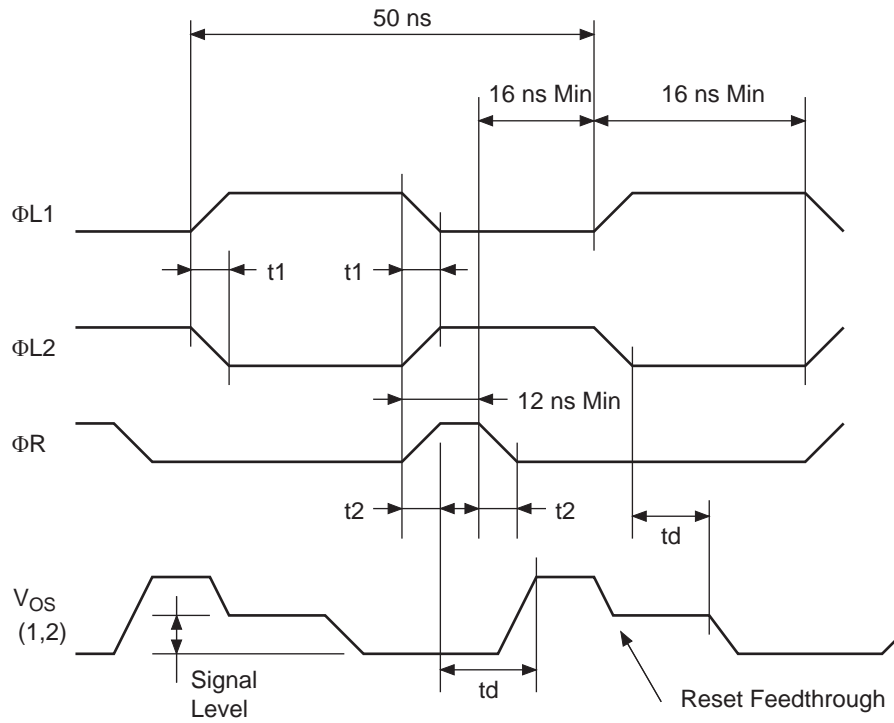


Figure 8. Transfer Period from Image Zone to Memory Zone (ΦP and ΦM for 1.25 Vertical Transfer Frequency $FV = 1: Tv$)



Note: T_r = Rise time
 T_f = Fall time
 T_o = Vertical transfer time subdivision
 T_v = Vertical transfer period.

Figure 9. Output Diagram for Readout Register and Reset Clock 20 MHz Applications
 Crossover of Complementary Clocks ($\Phi L1$, $\Phi L2$). Between 30% and 70% of Maximum Amplitude.

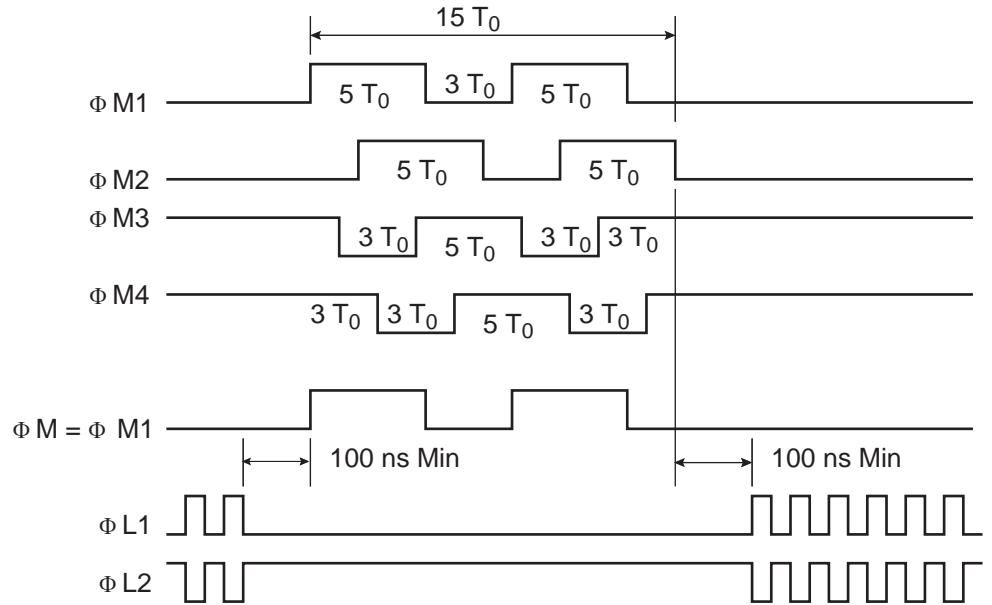


Note: $t_1 = 7$ ns typical
 $t_2 = 5$ ns typical
 $t_d = 8$ ns typical delay time

Binning Mode Operation

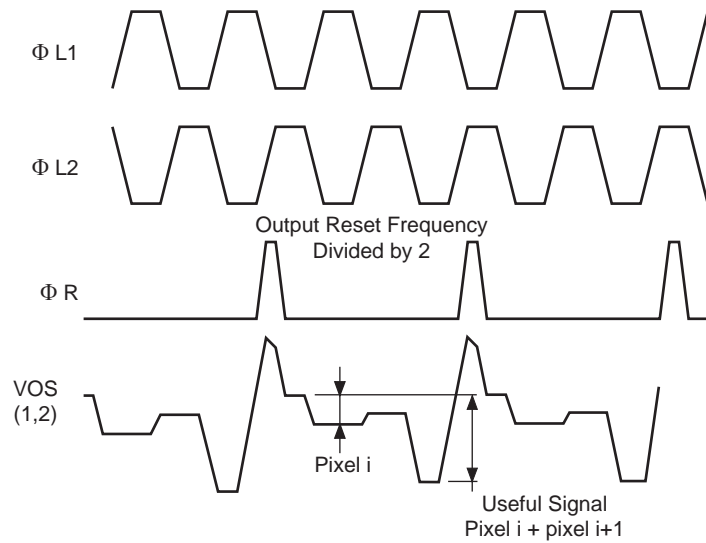
In binning mode operation, the image is composed of 512 x 512 pixels (28 μm x 28 μm each).

Figure 10. Summation in the Readout Register of Two Adjacent Lines



Note: To view fall and rise times see Figure 8 on page 8

Figure 11. Summation of Two Adjacent Pixels

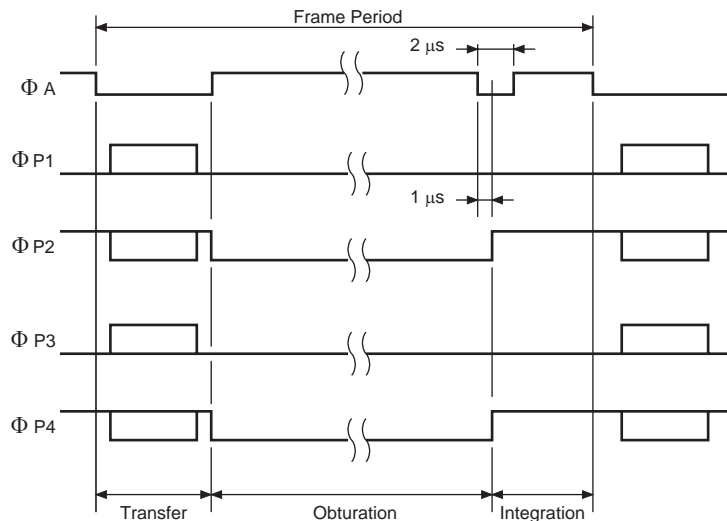


Exposure Time Reduction

The TH7888A provides an exposure time control (electronic shutter) function.

The exposure time reduction is achieved by pulsing all the ΦP_i gates to 0 V to continuously remove all the photogenerated electrons through antiblooming drain VA.

Figure 12. Timing Diagram for Electronic Shutter



Note: To view fall and rise times see Figure 6 on page 7

Table 5. Drive Clock Characteristics

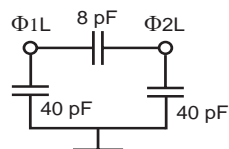
Parameter	Symbol	Value			Unit	Remarks
		Min	Typ	Max		
Image zone clocks High level Low level	$\Phi P1, 1, 3, 4$	7.5 0	8 0.5	8.5 0.8	V V	Typical input capacitance 15 nF See Figure 12
Memory zone clocks High level Low level	$\Phi M1, 2, 3, 4$	7.5 0	8 0.5	8.5 0.8	V V	Typical input capacitance 15.5 nF See Figure 12
Memory register clocks High level Low level	ΦM	8.5 0	9 0.5	9.5 0.8	V V	Typical input capacitance 10 pF
Antiblooming gate High level (integration) Low level (transfer)	ΦA	3 0	4 0.5	7 0.8	V V	Typical input capacitance 14 nF See Figure 12 and Figure 14
Reset gate High level Low level	ΦR	10 0	12 2	13 3	V V	Typical input capacitance 10 pF
Readout register clocks High level Low level	$\Phi L1, 2$	8.5 0	9 0.5	9.5 0.8	V V	
Maximum readout register frequency	F_H	20	–	–	MHz	See Figure 9
Maximum image zone to memory zone Transfer frequency	F_V	1.7	–	–	MHz	See Figure 14

Figure 13. Drive Clocks Capacitance Network

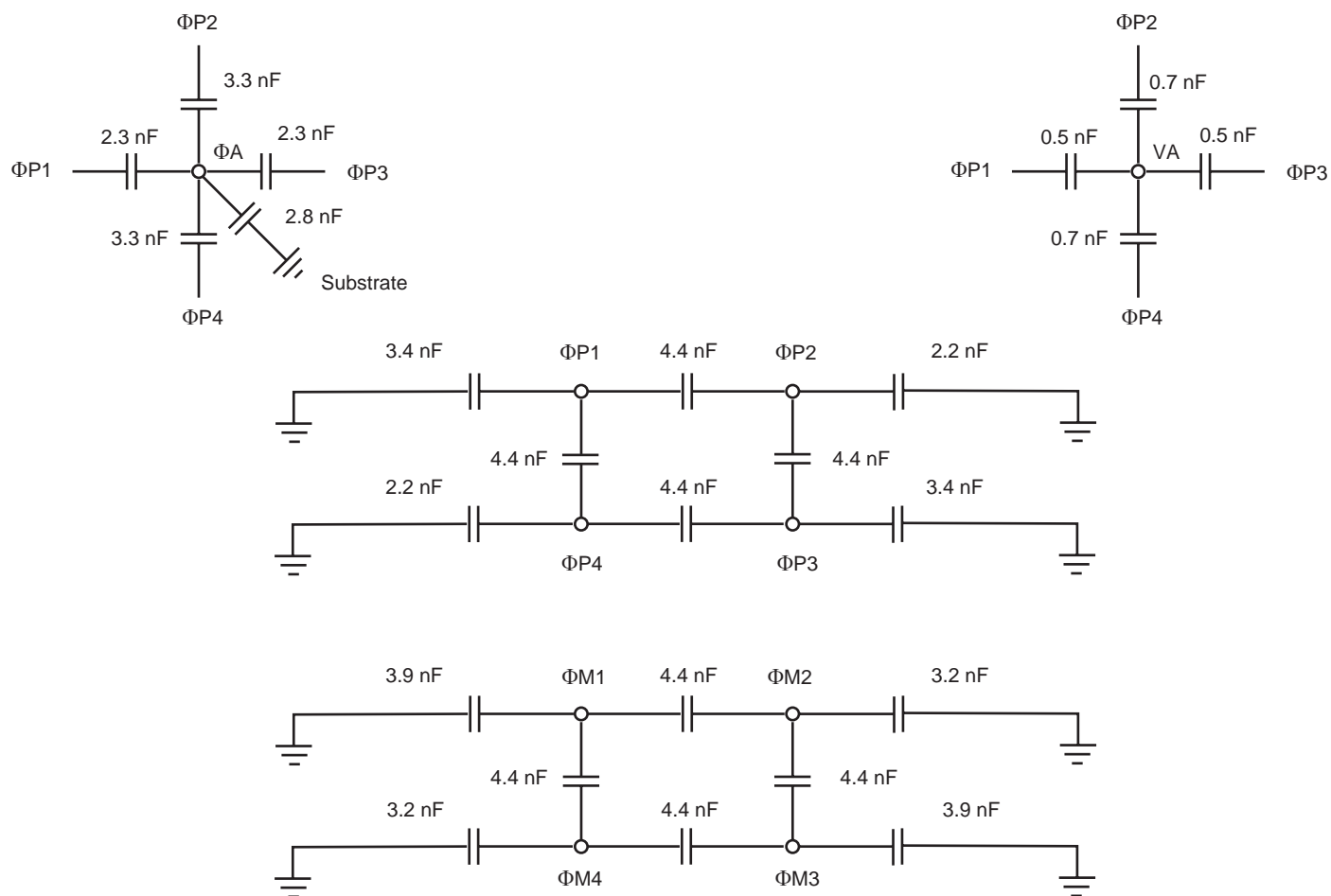


Table 6. Static and Dynamic Electrical Characteristics

Parameter	Symbol	Value			Unit	Remarks
		Min	Typ	Max		
Output amplifier supply current	I_{DD}		10	15	mA	per amplifier
Output impedance	Z_S	200	225	250	Ω	
DC output level	V_{REF}		11		V	
Output conversion factor	CVF	5.5	6	6.5	$\mu V/e^-$	

Electro-optical Performance

- General conditions:
Temp = 25°C (package temperature)
Light source: 2854 K with 2 mm BG38 filter (unless specified) + F/3.5 optical aperture.
30 images per second mode (Ti = 33 ms) under typical operating conditions
- Readout mode: 2 outputs
- Values exclude dummy elements and blemishes

Table 7. Performance Description and Values

Parameter	Symbol	Value			Unit	Remarks
		Min	Typ	Max		
Output register saturation level	$V_{SAT\ reg}$	–	2.6	–	V	
Pixel saturation level	V_{SAT}	1.6	1.9	3	V	(1)
Pixel saturation charge (electron per pixel)	Q_{SAT}	–	320	–	ke-	
Responsivity at 640 nm	R	–	6.5	–	V/(μ J/cm ²)	
Responsivity with BG38 filter		3	4	–	V/(μ J/cm ²)	
Quantum efficiency at 640 nm	QE	–	15	–	%	See Figure 17
Photo response non uniformity (1σ)	PRNU	–	0.4	1.7	%Vos	
Dark signal non uniformity (1σ)	DSNU	–	0.28	0.4	mV	(2)
Average dark signal	V_{DS}	–	2	3	mV	(3)
		–	4	5.6	mV	(4)
Temporal RMS noise in darkness (last line)	V_N	–	200	–	μ V	(5)
Dynamic range	D	–	80	–	dB	(6)
Horizontal modulation transfer function at 500 nm	MTF	–	70	–	%	(7)
Vertical charge transfer inefficiency (per stage)	VCTI	–	–	$2.5 \cdot 10^{-5}$	–	(8)
Horizontal charge transfer inefficiency (per stage)	HCTI	–	–	$5 \cdot 10^{-5}$	–	(9)

- Notes:
1. Pixel saturation (full well) as a function of vertical transfer frequency (see Figure 14 on page 15) and antiblooming adjustment (see Figure 15 on page 15).
 2. After subtraction of dark signal slope due to memory readout time.
 3. First line level referenced from inactive prescan elements (12 samples).
 4. Last line level referenced from inactive prescan elements (12 samples).
 5. Measured with Correlated Double Sampling (CDS) including 160 μ V readout noise and dark current noise in general test conditions.
 6. Saturation to RMS noise in darkness ratio.
 7. At Nyquist frequency.
 8. $V_{SAT}/2$ measurement and 417 kHz vertical transfer frequency.
 9. $V_{SAT}/2$ measurement and 10 MHz horizontal transfer frequency.

Figure 14. Saturation Level by Full Well with Antiblooming Off (ΦA High = 0 V) Versus the Vertical Transfer Frequency

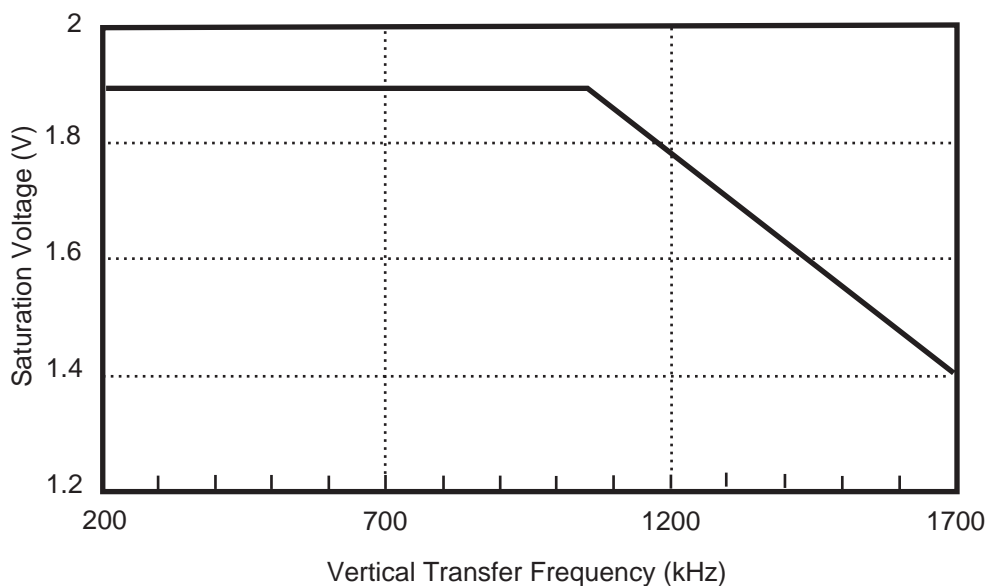


Figure 15. Saturation Level Limitation by the Antiblooming Effect on the Pixel (Typical Operating Conditions)

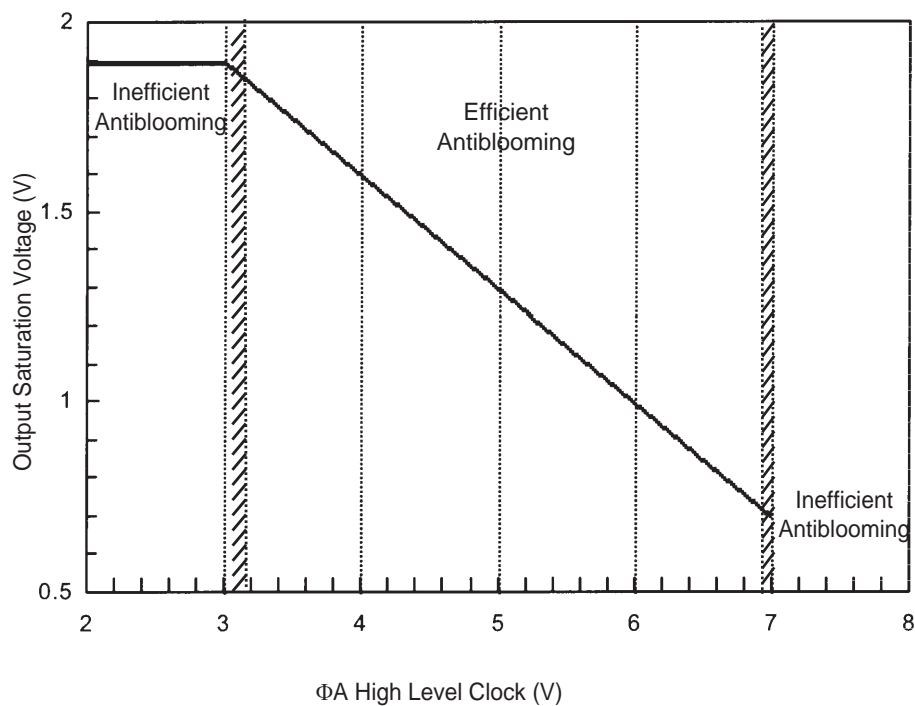
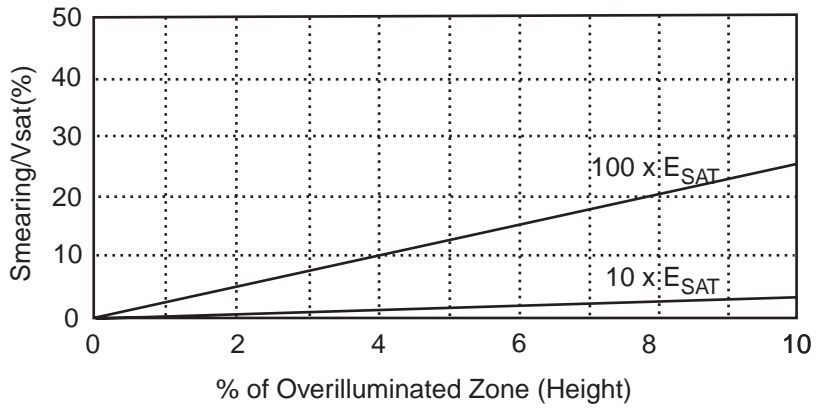


Figure 16. Smearing Effect



N_{ESAT} = number of times E_{SAT}

$$\frac{V_{SMEARING}}{V_{SAT}} = N_{ESAT} \times \frac{T_V}{T_I} \times H$$

with $E_{SAT} = V_{SAT}/\text{responsivity}$
(typical illumination conditions)

- T_i = integration time
- T_v = image to memory transfer time

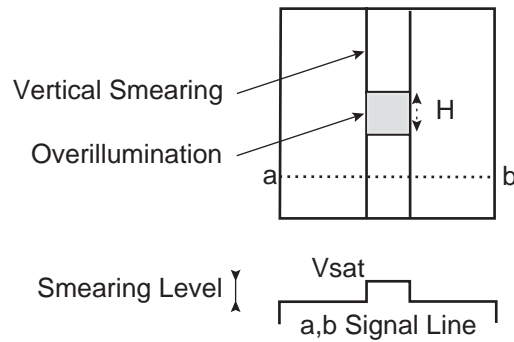


Figure 17. Spectral Response with A/R Window (Typical Case)

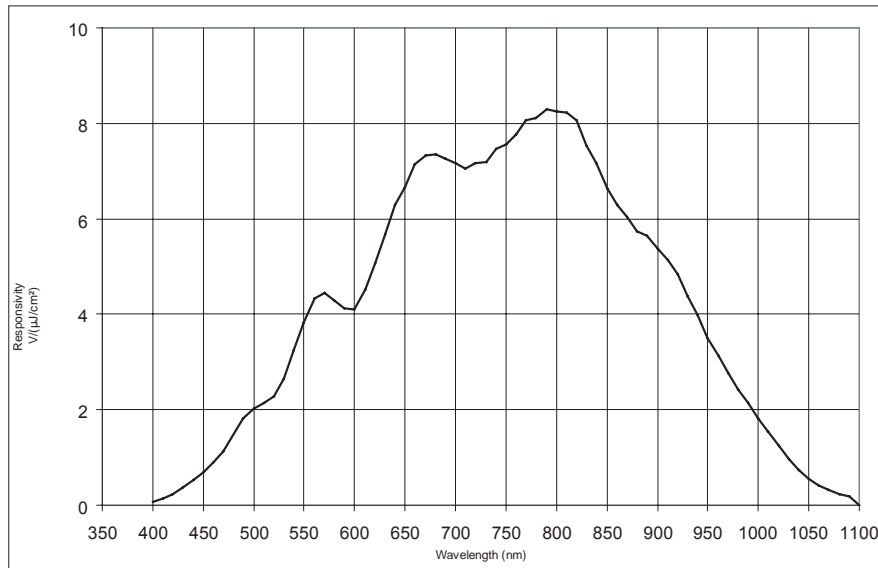


Image Quality Grade

Blemish

Maximum area of 2 x 2 defective pixels.

Clusters

Less than 7 contiguous defects in a column.

Columns

More than 7 contiguous defects in a column.

General Conditions

Room Temperature25°C

Frequency 30 images/s(under typical operating conditions)

Considered image zone 1024 x 1024

Light Source 2854K with BG38 filter + F/3.5 optical aperture

At Vos = 0.7 Vsat

Type	White	Black
Blemishes/clusters	$\alpha > 20\% \bar{V}_{os}$	$ \alpha > 30\% \bar{V}_{os}$
Columns	$\alpha > 10\% \bar{V}_{os}$	$ \alpha > 10\% \bar{V}_{os}$

In Darkness

Blemishes/clusters	$\alpha > 10 \text{ mV (*)}$
Columns	$\alpha > 5 \text{ mV (*)}$
(*) reference is V_o : average darkness signal	

Number of Defects

Total pixel numbers affected by blemishes and clusters100

Maximum number of clusters.....10

Maximum number of columns.....5

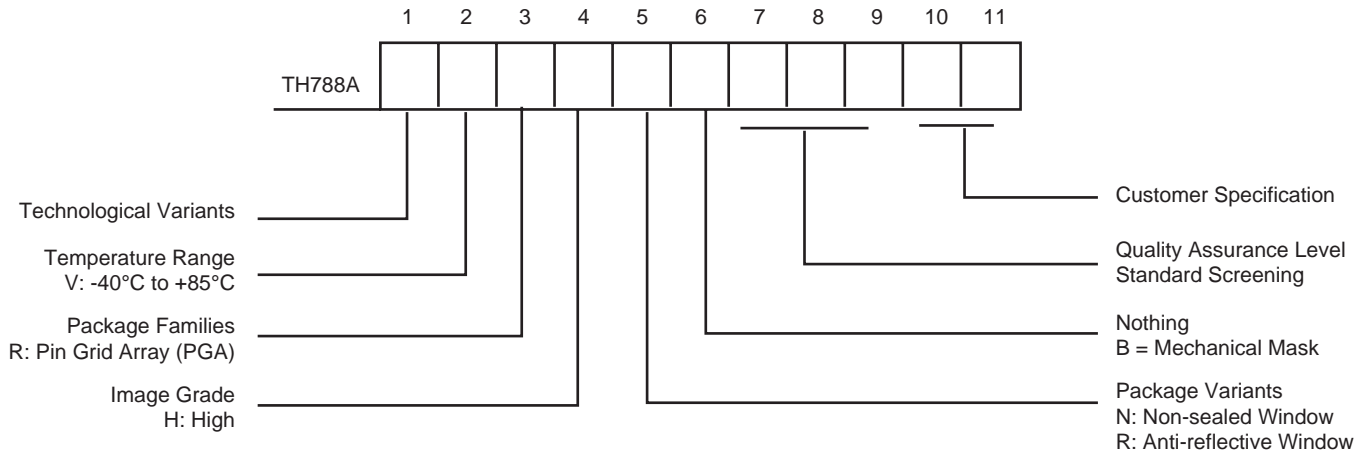
α : amplitude of video signal of defect with respect to mean output voltage \bar{V}_{os}

Ordering Codes

TH7888AVRHRB: sealed version

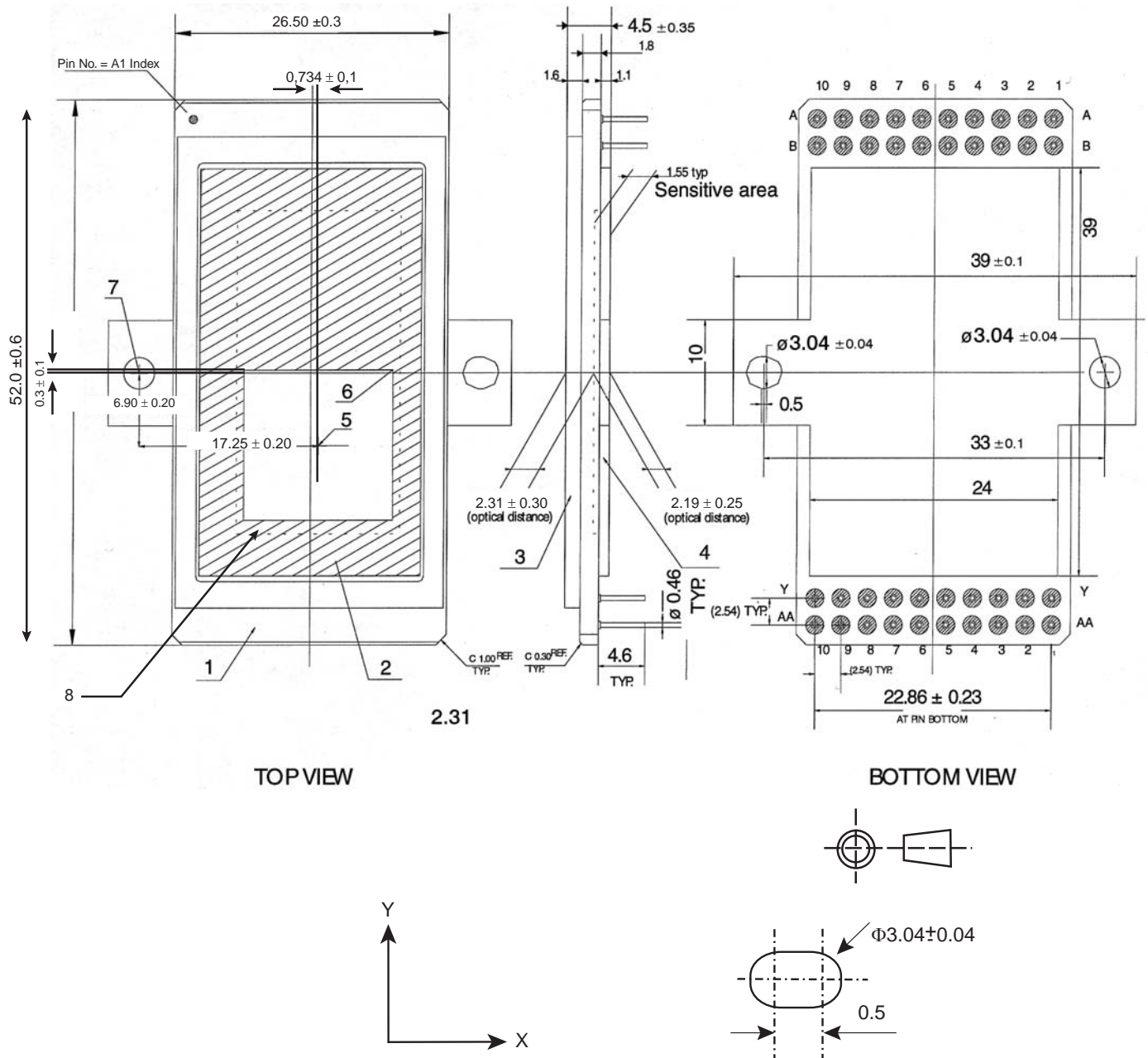
TH7888AVRHN: unsealed version

Figure 18. Ordering Information Key



Package Outline

Figure 19. Package Drawing for 40-lead PGA



- Notes:
1. All values are in mm.
 2. Black alumina 40-lead PGA package
 3. Black optical mask (only on sealed version)
 4. 400 nm – 700 nm AR coated window (R < 1% per side). Only on sealed version
 5. Metal back, (CuW – copper tungsten) gold plated. Electrically grounded (VSS)
 6. Optical center
 7. First useful pixel (readout through Vos1)
 8. Mechanical reference
 9. Photosensitive area dimensions 14,392(X) x 14,358(Y)



Parameter	Mechanical Distance	Optical Distance	Unit
Z _{top}	2.82 ± 0.31	2.31 ± 0.30	mm
Z _{bottom}	1.68 ± 0.15	2.19 ± 0.25	mm





Atmel Headquarters

Corporate Headquarters

2325 Orchard Parkway
San Jose, CA 95131, USA
TEL 1(408) 441-0311
FAX 1(408) 487-2600

Europe

Atmel Sarl
Route des Arsenaux 41
Case Postale 80
CH-1705 Fribourg
Switzerland
TEL (41) 26-426-5555
FAX (41) 26-426-5500

Asia

Room 1219
Chinachem Golden Plaza
77 Mody Road Tsimshatsui
East Kowloon
Hong Kong
TEL (852) 2721-9778
FAX (852) 2722-1369

Japan

9F, Tonetsu Shinkawa Bldg.
1-24-8 Shinkawa
Chuo-ku, Tokyo 104-0033
Japan
TEL (81) 3-3523-3551
FAX (81) 3-3523-7581

Atmel Operations

Memory

2325 Orchard Parkway
San Jose, CA 95131, USA
TEL 1(408) 441-0311
FAX 1(408) 436-4314

Microcontrollers

2325 Orchard Parkway
San Jose, CA 95131, USA
TEL 1(408) 441-0311
FAX 1(408) 436-4314

La Chantrerie

BP 70602
44306 Nantes Cedex 3, France
TEL (33) 2-40-18-18-18
FAX (33) 2-40-18-19-60

ASIC/ASSP/Smart Cards

Zone Industrielle
13106 Rousset Cedex, France
TEL (33) 4-42-53-60-00
FAX (33) 4-42-53-60-01

1150 East Cheyenne Mtn. Blvd.
Colorado Springs, CO 80906, USA
TEL 1(719) 576-3300
FAX 1(719) 540-1759

Scottish Enterprise Technology Park
Maxwell Building
East Kilbride G75 0QR, Scotland
TEL (44) 1355-803-000
FAX (44) 1355-242-743

RF/Automotive

Theresienstrasse 2
Postfach 3535
74025 Heilbronn, Germany
TEL (49) 71-31-67-0
FAX (49) 71-31-67-2340

1150 East Cheyenne Mtn. Blvd.
Colorado Springs, CO 80906, USA
TEL 1(719) 576-3300
FAX 1(719) 540-1759

Biometrics/Imaging/Hi-Rel MPU/ High Speed Converters/RF Datacom

Avenue de Rochepleine
BP 123
38521 Saint-Egreve Cedex, France
TEL (33) 4-76-58-30-00
FAX (33) 4-76-58-34-80

Literature Requests

www.atmel.com/literature

© Atmel Corporation 2003.

Atmel Corporation makes no warranty for the use of its products, other than those expressly contained in the Company's standard warranty which is detailed in Atmel's Terms and Conditions located on the Company's web site. The Company assumes no responsibility for any errors which may appear in this document, reserves the right to change devices or specifications detailed herein at any time without notice, and does not make any commitment to update the information contained herein. No licenses to patents or other intellectual property of Atmel are granted by the Company in connection with the sale of Atmel products, expressly or by implication. Atmel's products are not authorized for use as critical components in life support devices or systems.

© Atmel Corporation 2003. All rights reserved. Atmel® is the registered trademark of Atmel Corporation or its subsidiaries. Other terms and product names may be the trademarks of others.



Printed on recycled paper.