

# THC63LVD104A

90MHz 30Bits COLOR LVDS Receiver

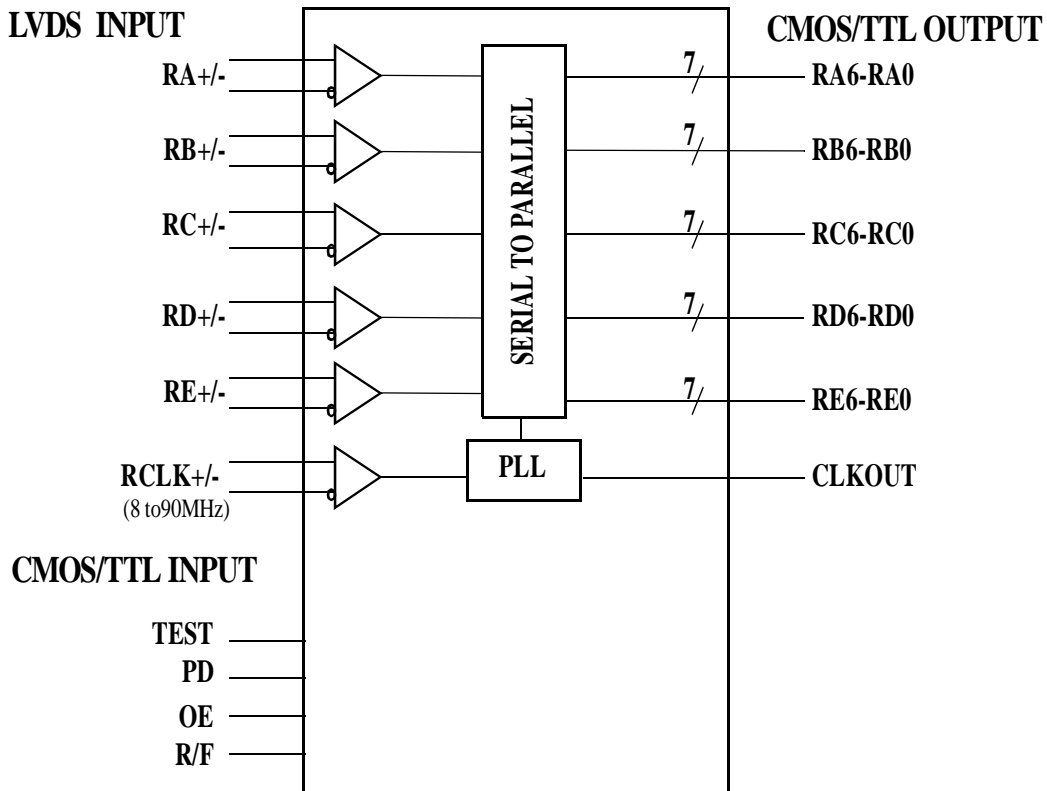
## General Description

The THC63LVD104A receiver is designed to support pixel data transmission between Host and Flat Panel Display from NTSC up to WXGA resolutions. The THC63LVD104A converts the LVDS data streams back into 35bits of CMOS/TTL data with rising edge or falling edge clock for convenient with a variety of LCD panel controllers. At a transmit clock frequency of 90MHz, 30bits of RGB data and 5bits of timing and control data (HSYNC, VSYNC, DE, CNTL1, CNTL2) are transmitted at an effective rate of 630Mbps per LVDS channel. Using a 90MHz clock, the data throughput is 394Mbytes per second.

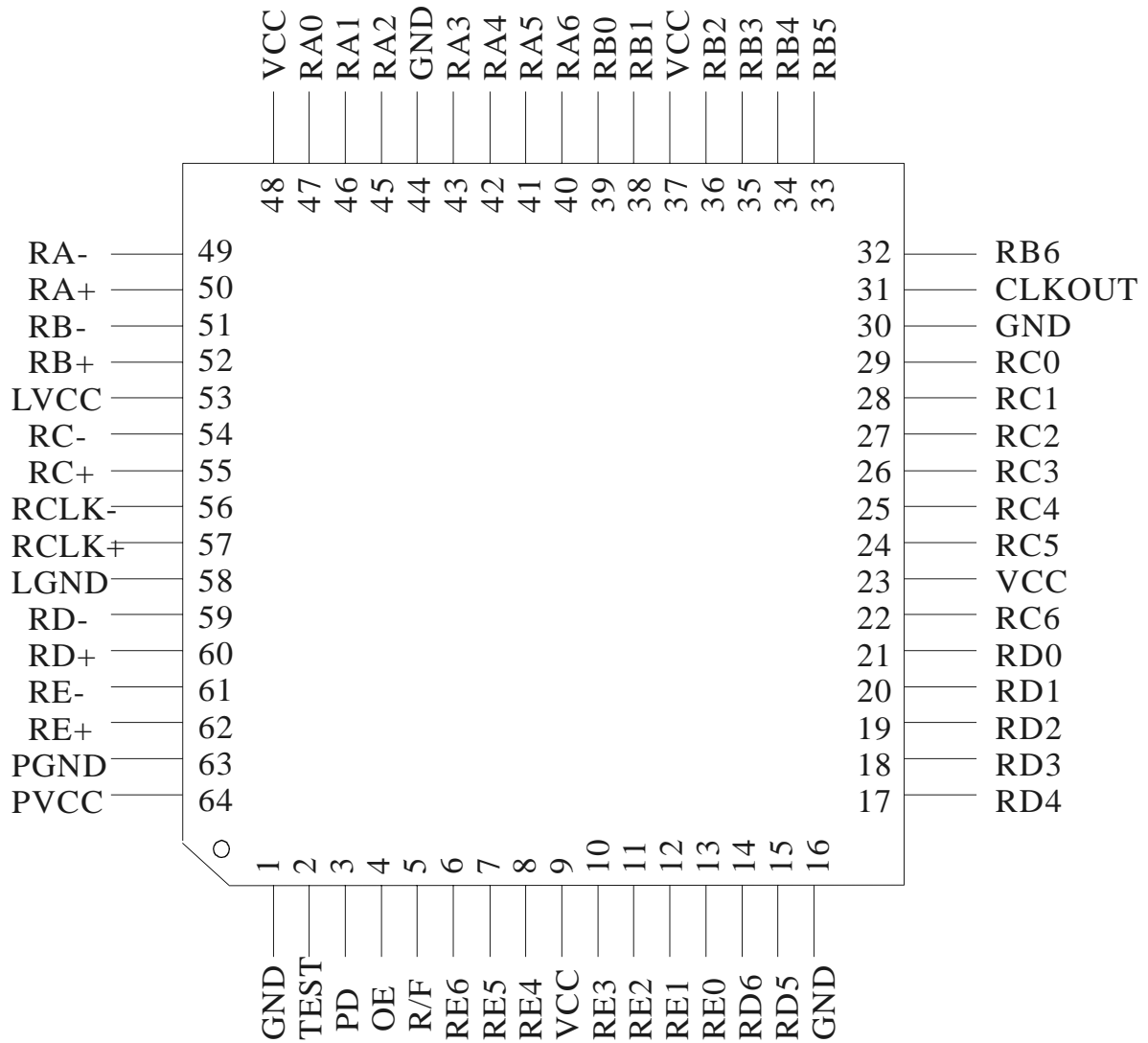
## Features

- Wide dot clock range: 8-90MHz suited for NTSC, VGA, SVGA, XGA, and WXGA
- PLL requires no external components
- 50% output clock duty cycle
- TTL clock edge programmable
- Power down mode
- Low power single 3.3V CMOS design
- 64pin TQFP
- Backward compatible with THC63LVDF64x (18bits) / F84x(24bits)

## Block Diagram



# Pin Out



## Pin Description

Pin Name	Pin #	Type	Description
RA+, RA-	50, 49	LVDS IN	LVDS Data In.
RB+, RB-	52, 51	LVDS IN	
RC+, RC-	55, 54	LVDS IN	
RD+, RD-	60, 59	LVDS IN	
RE+,RE-	62, 61	LVDS IN	
RCLK+, RCLK-	57, 56	LVDS IN	LVDS Clock In.
RA6 ~ RA0	40,41,42,43,45,46,47	OUT	CMOS/TTL Data Outputs.
RB6 ~ RB0	32,33,34,35,36,38,39	OUT	
RC6 ~ RC0	22,24,25,26,27,28,29	OUT	
RD6 ~ RD0	14,15,17,18,19,20,21	OUT	
RE6 ~ RE0	6,7,8,10,11,12,13	OUT	
TEST	2	IN	Test pin, must be "L" for normal operation.
PD	3	IN	H: Normal operation, L: Power down (all outputs are "L")
OE	4	IN	H: Output enable (Normal operation). L: Output disable (all outputs are Hi-Z)
R/F	5	IN	Output Clock Triggering Edge Select. H: Rising edge, L: Falling edge
VCC	9,23,37,48	Power	Power Supply Pins for TTL outputs and digital circuitry.
CLKOUT	31	OUT	Clock out.
GND	1,16,30,44	Ground	Ground Pins for TTL outputs and digital circuitry.
LVCC	53	Power	Power Supply Pin for LVDS inputs.
LGND	58	Ground	Ground Pin for LVDS inputs.
PVCC	64	Power	Power Supply Pin for PLL circuitry.
PGND	63	Ground	Ground Pin for PLL circuitry.

PD	R/F	OE	Data Outputs (Rxn)	CLKOUT
0	0	0	Hi-Z	Hi-Z
0	0	1	All 0	Fixed Low
0	1	0	Hi-Z	Hi-Z
0	1	1	All 0	Fixed Low
1	0	0	Hi-Z	Hi-Z
1	0	1	Data Out	It latches output data on falling edge.
1	1	0	Hi-Z	Hi-Z
1	1	1	Data Out	It latches output data on rising edge.

\*\* Rxn

x = A,B,C,D,E

n = 0,1,2,3,4,5,6

## Absolute Maximum Ratings <sup>1</sup>

Supply Voltage ( $V_{CC}$ )	-0.3V ~ +4.0V
CMOS/TTL Input Voltage	-0.3V ~ ( $V_{CC} + 0.3V$ )
CMOS/TTL Output Voltage	-0.3V ~ ( $V_{CC} + 0.3V$ )
LVDS Receiver Input Voltage	-0.3V ~ ( $V_{CC} + 0.3V$ )
Output Current	-30mA ~ 30mA
Junction Temperature	+125°C
Storage Temperature Range	-55°C ~ +125°C
Resistance to soldering heat	+260°C / 10sec
Maximum Power Dissipation @+25°C	1.0W

## Electrical Characteristics

### CMOS/TTL DC Specifications

 $V_{CC} = 3.0V \sim 3.6V, T_a = 0^\circ C \sim +70^\circ C$ 

Symbol	Parameter	Conditions	Min.	Typ.	Max.	Units
$V_{IH}$	High Level Input Voltage		2.0		$V_{CC}$	V
$V_{IL}$	Low Level Input Voltage		GND		0.8	V
$V_{OH}$	High Level Output Voltage	$I_{OH} = -4mA$ (data) $I_{OH} = -8mA$ (clock)	2.4			V
$V_{OL}$	Low Level Output Voltage	$I_{OL} = 4mA$ (data) $I_{OL} = 8mA$ (clock)			0.4	V
$I_{INC}$	Input Current	$0V \leq V_{IN} \leq V_{CC}$			$\pm 10$	$\mu A$

### LVDS Receiver DC Specifications

 $V_{CC} = 3.0V \sim 3.6V, T_a = 0^\circ C \sim +70^\circ C$ 

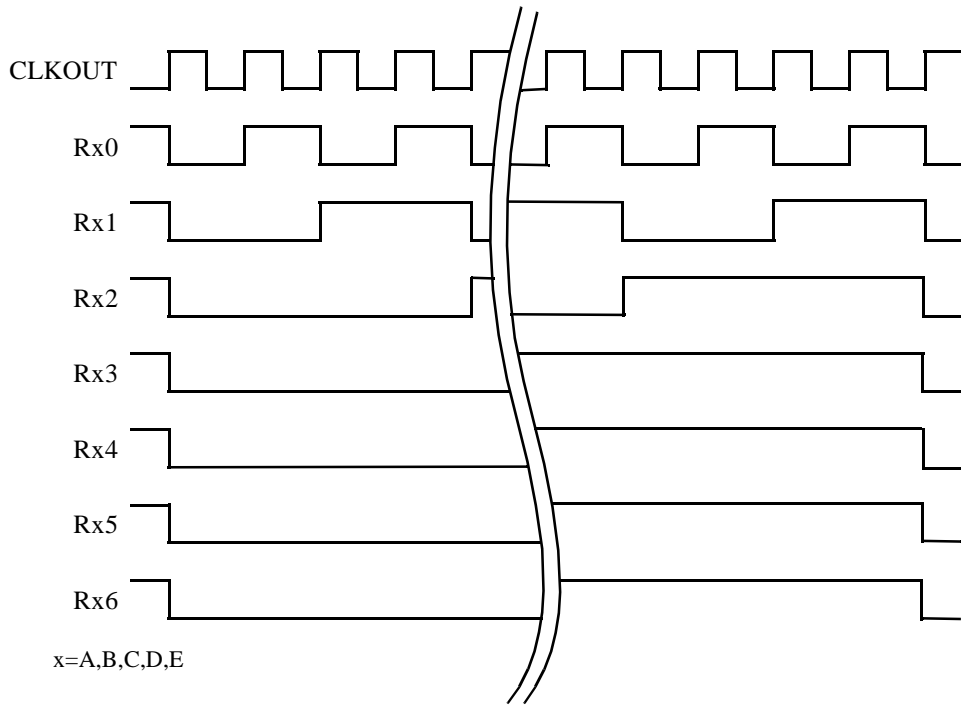
Symbol	Parameter	Conditions	Min.	Typ.	Max.	Units
$V_{TH}$	Differential Input High Threshold	$V_{OC} = 1.2V$			100	mV
$V_{TL}$	Differential Input Low Threshold	$V_{OC} = 1.2V$	-100			mV
$I_{INL}$	Input Current	$V_{IN} = 2.4V / 0V$ $V_{CC} = 3.6V$			$\pm 20$	$\mu A$

1. "Absolute Maximum Ratings" are those valued beyond which the safety of the device can not be guaranteed. They are not meant to imply that the device should be operated at these limits. The tables of "Electrical Characteristics" specify conditions for device operation.

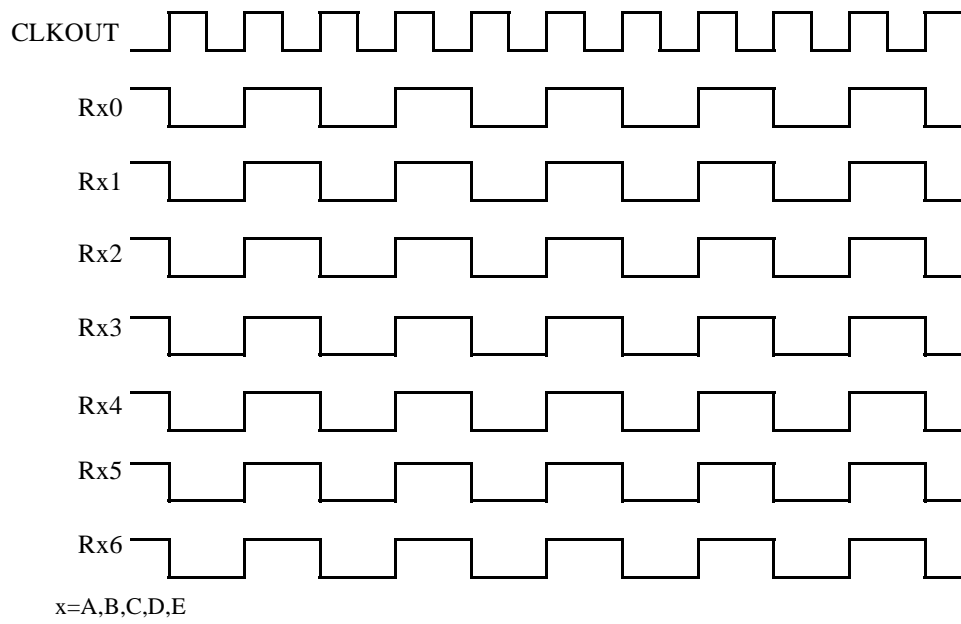
**Supply Current** $V_{CC} = 3.0V \sim 3.6V, T_a = 0^{\circ}C \sim +70^{\circ}C$ 

Symbol	Parameter	Conditions		Typ.	Max.	Units
$I_{RCCG}$	Receiver Supply Current (Gray Scale Pattern)	$f_{CLKOUT} = 90MHz$	CL=8pF, Vcc=3.3V	70		mA
$I_{RCCW}$	Receiver Supply Current (Checker Pattern)	$f_{CLKOUT} = 90MHz$	CL=8pF, Vcc=3.3V	112		mA
$I_{RCCS}$	Receiver Power Down Supply Current	PD = L			10	$\mu A$

Incremental Pattern(Gray Scale)



Toggle Pattern(Checker)



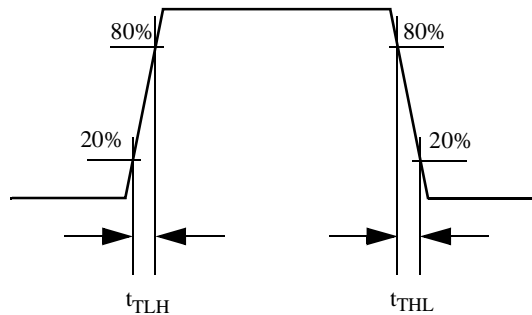
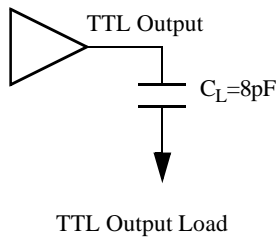
## Switching Characteristics

V<sub>CC</sub> = 3.0V ~ 3.6V, Ta = 0°C ~ +70°C

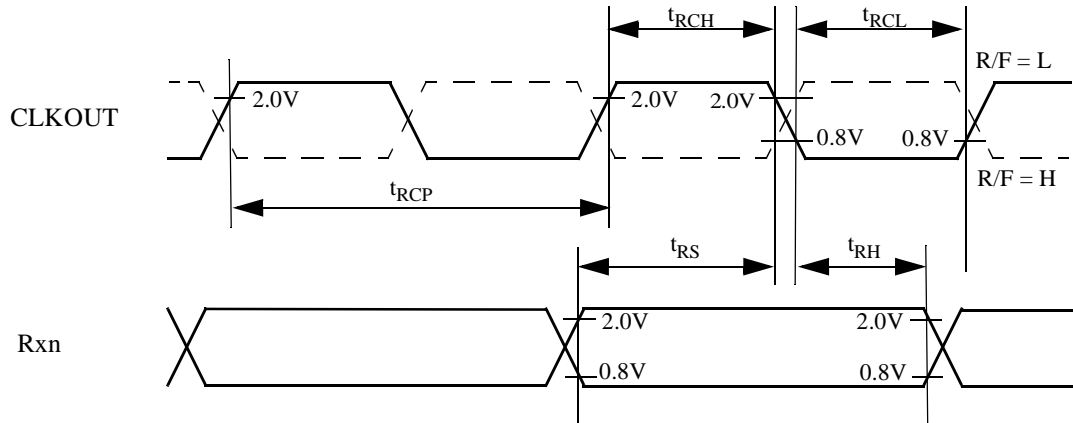
Symbol	Parameter	Min.	Typ.	Max.	Units
t <sub>RCP</sub>	CLKOUT Period	11.1	T	125.0	ns
t <sub>RCH</sub>	CLKOUT High Time		$\frac{T-1}{2}$		ns
t <sub>RCL</sub>	CLKOUT Low Time		$\frac{T-1}{2}$		ns
t <sub>RS</sub>	TTL Data Setup to CLKOUT	t <sub>RCP</sub> - 7.0			ns
t <sub>RH</sub>	TTL Data Hold from CLKOUT	1.0			ns
t <sub>TLH</sub>	TTL Low to High Transition Time		1.0	2.0	ns
t <sub>THL</sub>	TTL High to Low Transition Time		1.0	2.0	ns
t <sub>RIP1</sub>	Input Data Position0	-0.25	0.0	+0.25	ns
t <sub>RIP0</sub>	Input Data Position1	$\frac{t_{RCIP}}{7} - 0.25$	$\frac{t_{RCIP}}{7}$	$\frac{t_{RCIP}}{7} + 0.25$	ns
t <sub>RIP6</sub>	Input Data Position2	$2\frac{t_{RCIP}}{7} - 0.25$	$2\frac{t_{RCIP}}{7}$	$2\frac{t_{RCIP}}{7} + 0.25$	ns
t <sub>RIP5</sub>	Input Data Position3	$3\frac{t_{RCIP}}{7} - 0.25$	$3\frac{t_{RCIP}}{7}$	$3\frac{t_{RCIP}}{7} + 0.25$	ns
t <sub>RIP4</sub>	Input Data Position4	$4\frac{t_{RCIP}}{7} - 0.25$	$4\frac{t_{RCIP}}{7}$	$4\frac{t_{RCIP}}{7} + 0.25$	ns
t <sub>RIP3</sub>	Input Data Position5	$5\frac{t_{RCIP}}{7} - 0.25$	$5\frac{t_{RCIP}}{7}$	$5\frac{t_{RCIP}}{7} + 0.25$	ns
t <sub>RIP2</sub>	Input Data Position6	$6\frac{t_{RCIP}}{7} - 0.25$	$6\frac{t_{RCIP}}{7}$	$6\frac{t_{RCIP}}{7} + 0.25$	ns
t <sub>RPLL</sub>	Phase Lock Loop Set			10.0	ms
t <sub>RCIP</sub>	CLKIN Period	11.1		125.0	ns

### AC Timing Diagrams

#### TTL Outputs

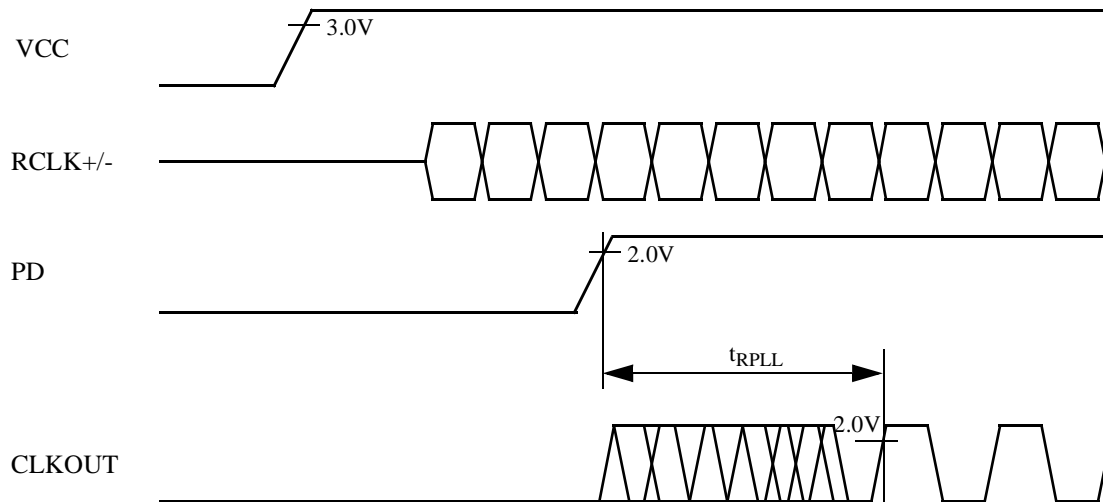


### AC Timing Diagrams TTL Outputs



x = A,B,C,D,E  
n = 0,1,2,3,4,5,6

### Phase Lock Loop Set Time

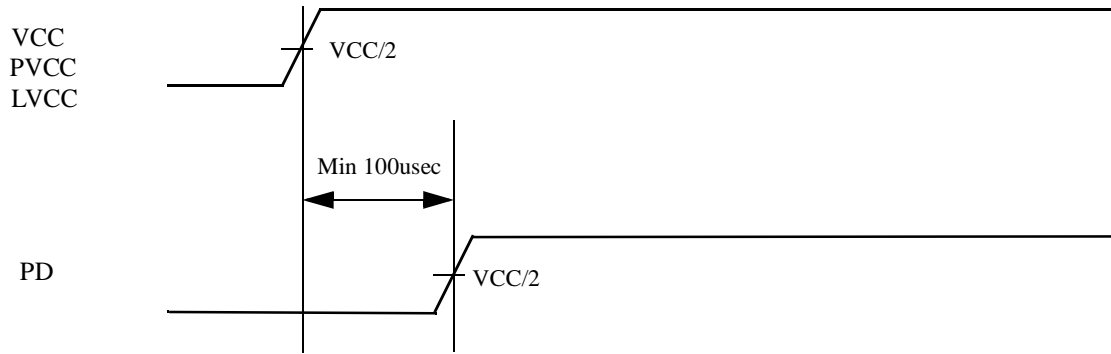




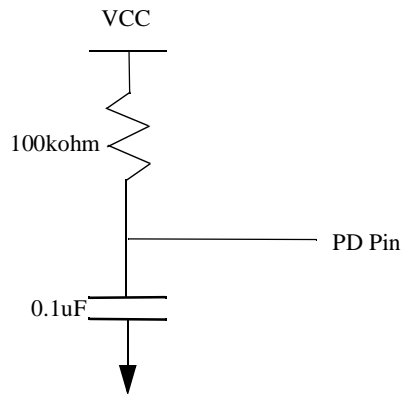
## Power Up Sequence

Power Up Sequence must be Sequence1 or Sequence2.

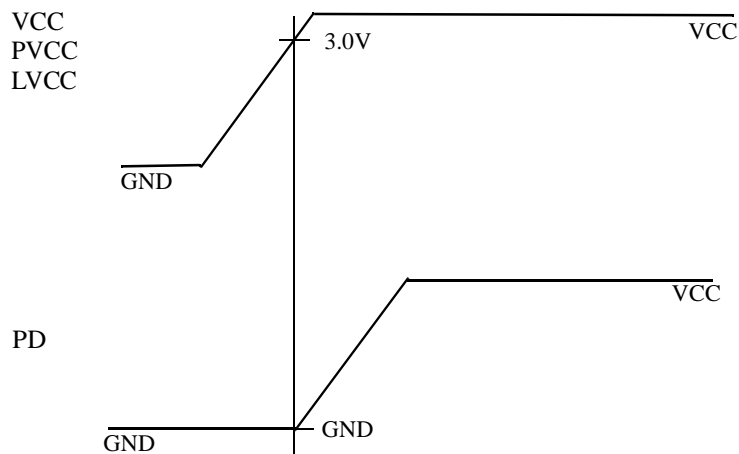
### 1)Sequence1



Recommended PD Pin Circuit

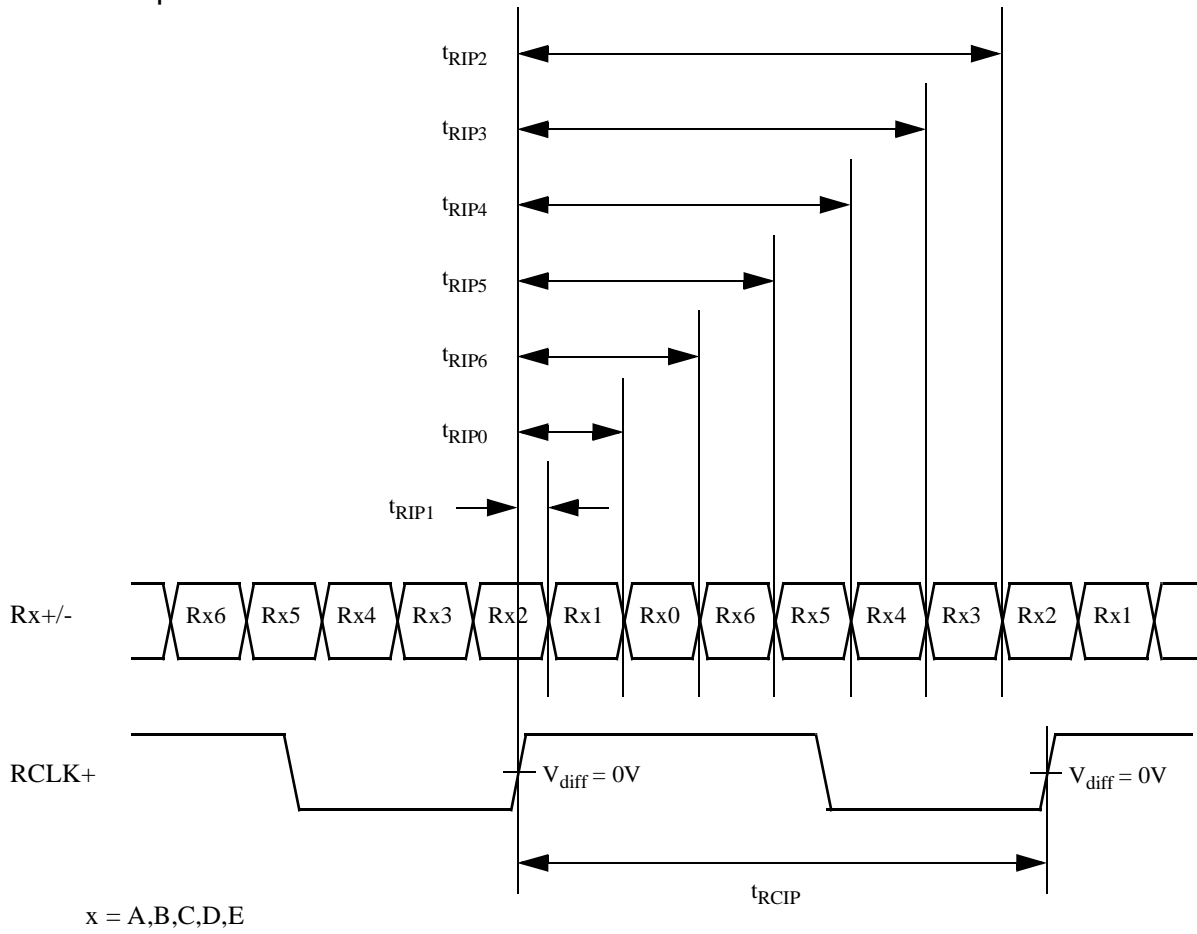


### 2)Sequence2



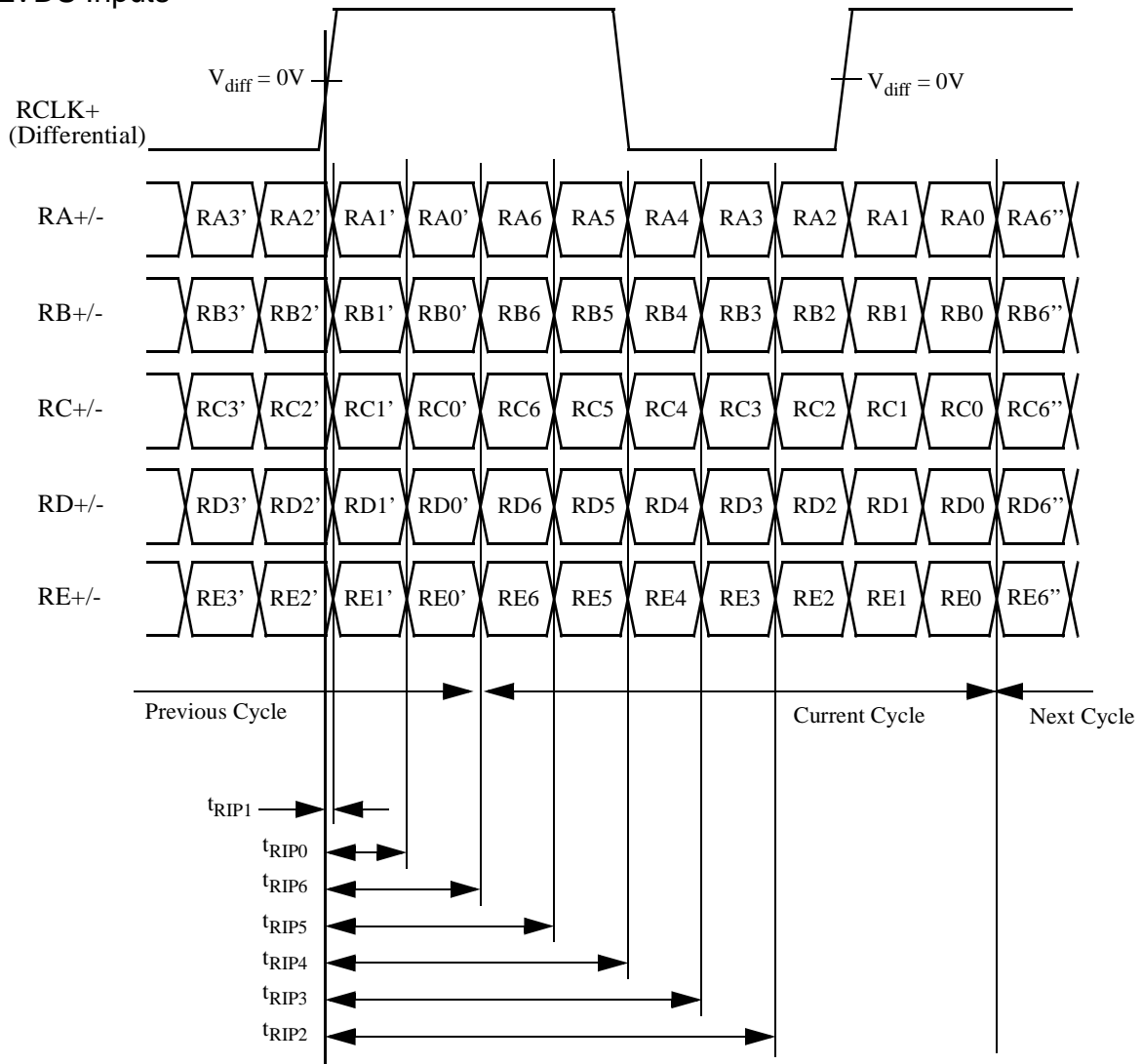
PD pin must be High after VCC voltage is 3.0V.

AC Timing Diagrams  
LVDS Inputs

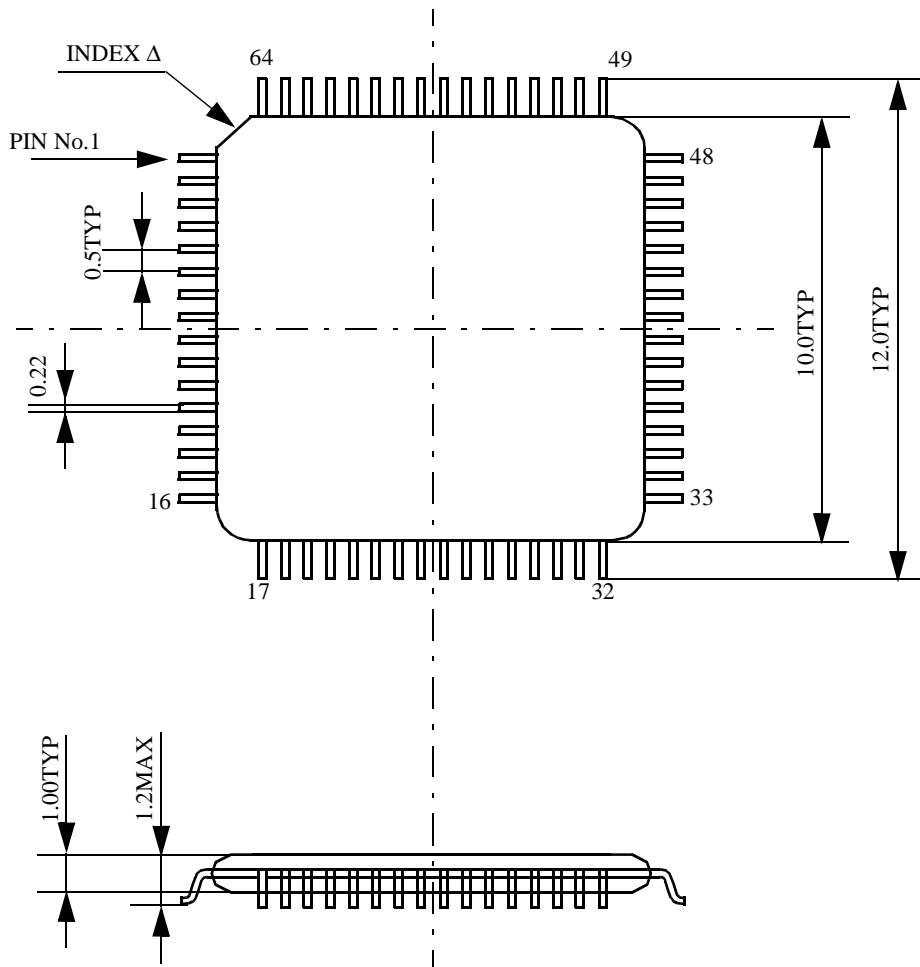


### AC Timing Diagrams

#### LVDS Inputs



# Package



UNITS: mm

## Notes to Users:

1. The contents of this data sheet are subject to change without prior notice.
2. Circuit diagrams shown in this data sheet are examples of application. Therefore, please pay sufficient attention when designing circuits. **EVEN IF THERE ARE INCORRECT DESCRIPTIONS, THINE IS NOT RESPONSIBLE FOR ANY PROBLEM DUE TO THEM.** Please note that incorrect descriptions sometimes cannot be corrected immediately if found.
3. Thine's copyright, know-how and other intellectual property rights are included in this data sheet. Duplication of the data sheet and disclosure to other persons are strictly prohibited without THine's prior written permission.
4. **THINE IS NOT RESPONSIBLE FOR ANY PROBLEMS OF INTELLECTUAL PROPERTY RIGHTS OCCURRING DURING THC63LVD104A USE, EXCEPT FOR DAMAGES RESULTING FROM INFRINGEMENT CAUSED ONLY BY THC63LVD104A WITHOUT ANY ITEM NOT SOLD BY THINE AND/OR ANY USERS' ACTION. THINE IS NOT RESPONSIBLE FOR PROBLEMS CAUSED BY SPECIFICATIONS SUPPLIED BY USERS.** THC63LVD104A is designed on the premise that it should be used for ordinary electronic devices. Therefore, it shall not be used for applications that require extremely high-reliability (space equipment, nuclear control equipment, medical equipment that affects people's lives, etc.). In addition, when using THC63LVD104A for traffic signals, safety devices and control/safety units in transportation equipment, etc., appropriate measures should be taken.
5. **THINE IS MAKING THE UTMOST EFFORT TO IMPROVE THE QUALITY AND RELIABILITY OF THINE'S PRODUCTS. HOWEVER, THERE IS A VERY SLIGHT POSSIBILITY OF FAILURE IN SEMICONDUCTOR DEVICES.** To avoid damage to social or official organizations, much care should be taken to provide sufficient redundancy and fail-safe design.
6. No radiation-hardened design is incorporated in THC63LVD104A.
7. Judgment on whether THC63LVD104A comes under strategic products prescribed by the Foreign Exchange and Foreign Trade Control Law is the user's responsibility.
8. This technical document was provisionally created during development of THC63LVD104A, so there is a possibility of differences between it and the product's final specifications. When designing circuits using THC63LVD104A, be sure to refer to the final technical documents.

### ***THine Electronics, Inc.***

Wakamatsu Bldg, 6F

3-3-6, Nihombashi-Honcho,

Chuo-ku, Tokyo, 103-0023 Japan

Tel: 81-3-3270-0666

Fax: 81-3-3270-0688