

TICP107 SERIES SILICON CONTROLLED RECTIFIERS

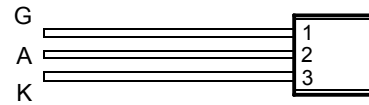
Copyright © 2000, Power Innovations Limited, UK

JANUARY 1999 - REVISED JUNE 2000

- 1 A Continuous On-State Current
- 15 A Surge-Current
- Glass Passivated Wafer
- 400 V to 600 V Off-State Voltage
- I_{GT} 50 μ A min, 200 μ A max
- di/dt 100A/ μ s
- Package Options

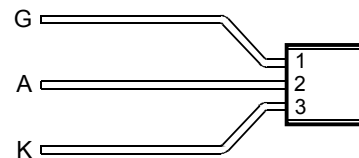
PACKAGE	PACKING	PART # SUFFIX
LP	Bulk	(None)
LP with fomed leads	Tape and Reel	R

LP PACKAGE
(TOP VIEW)



MDC1AA

LP PACKAGE
WITH FORMED LEADS
(TOP VIEW)



MDC1AB

absolute maximum ratings over operating junction temperature (unless otherwise noted)

RATING		SYMBOL	VALUE	UNIT
Repetitive peak off-state voltage (see Note 1)	TICP107D	V_{DRM}	400	V
	TICP107M		600	
Repetitive peak reverse voltage	TICP107D	V_{RRM}	400	V
	TICP107M		600	
Continuous on-state current at (or below) 25°C ambient temperature (see Note 2)		$I_{T(RMS)}$	1	A
Surge on-state current at (or below) 25°C ambient temperature (see Note 3)		I_{TSM}	15	A
Critical rate of rise of on-state current at 110°C (see Note 4)		di/dt	100	A/ μ s
Peak positive gate current (pulse width \leq 300 μ s)		I_{GM}	0.2	A
Junction temperature range		T_J	-40 to +110	°C
Storage temperature range		T_{stg}	-40 to +125	°C
Lead temperature 3.2 mm from case for 10 seconds		T_L	230	°C

- NOTES: 1. These values apply when the gate-cathode resistance $R_{GK} = 1$ k Ω .
 2. These values apply for continuous dc operation with resistive load.
 3. This value applies for one 50 Hz half-sine-wave when the device is operating at (or below) the rated value of peak reverse voltage and on-state current. Surge may be repeated after the device has returned to original thermal equilibrium.
 4. Rate of rise of on-state current after triggering with $I_G = 10$ mA, $di_G/dt = 1$ A/ μ s.

PRODUCT INFORMATION

Information is current as of publication date. Products conform to specifications in accordance with the terms of Power Innovations standard warranty. Production processing does not necessarily include testing of all parameters.



TICP107 SERIES SILICON CONTROLLED RECTIFIERS

JANUARY 1999 - REVISED JUNE 2000

electrical characteristics at 25°C ambient temperature (unless otherwise noted)

PARAMETER	TEST CONDITIONS			MIN	TYP	MAX	UNIT
I_{DRM}	Repetitive peak off-state current	$V_D = \text{rated } V_{DRM}$	$R_{GK} = 1 \text{ k}\Omega$			20	μA
I_{RRM}	Repetitive peak reverse current	$V_R = \text{rated } V_{RRM}$	$I_G = 0$			200	μA
I_{GT}	Gate trigger current	$V_{AA} = 12 \text{ V}$	$R_L = 100 \Omega$	$t_{p(g)} \geq 20 \mu\text{s}$	50	200	μA
V_{GT}	Gate trigger voltage	$V_{AA} = 12 \text{ V}$	$R_L = 100 \Omega$	$t_{p(g)} \geq 20 \mu\text{s}$	0.4	1	V
I_H	Holding current	$V_{AA} = 12 \text{ V}$	Initiating $I_T = 10 \text{ mA}$			2	mA
V_T	On-state voltage	$I_T = 2 \text{ A}$	(see Note 5)			1.4	V

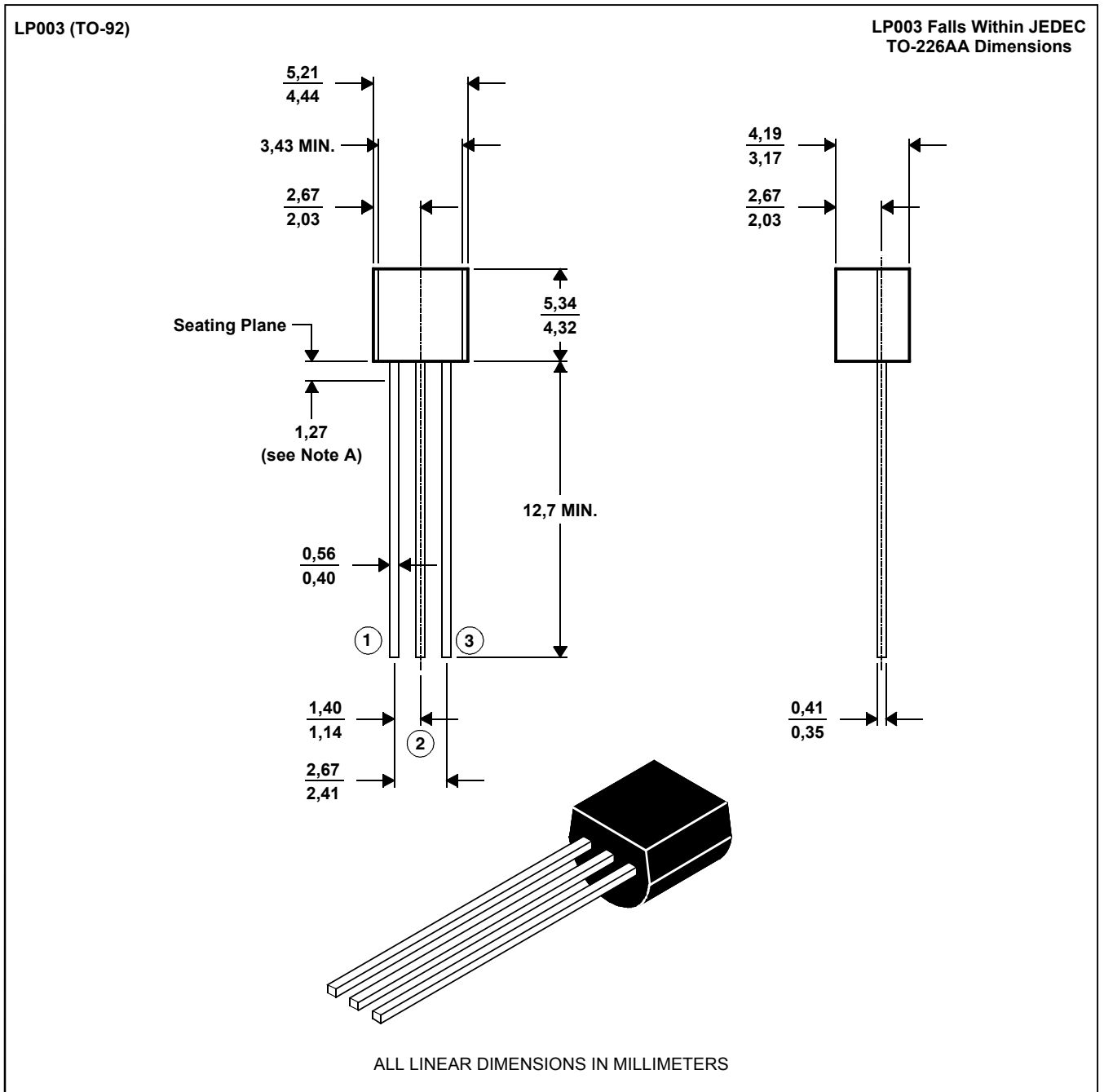
NOTE 5: This parameter must be measured using pulse techniques, $t_p = 1 \text{ ms}$, duty cycle $\leq 2 \%$. Voltage sensing-contacts, separate from the current carrying contacts, are located within 3.2 mm from the device body.

MECHANICAL DATA

LP003 (TO-92)

3-pin cylindrical plastic package

This single-in-line package consists of a circuit mounted on a lead frame and encapsulated within a plastic compound. The compound will withstand soldering temperature with no deformation, and circuit performance characteristics will remain stable when operated in high humidity conditions. Leads require no additional cleaning or processing when used in soldered assembly.



NOTE A: Lead dimensions are not controlled in this area.

MDXXAX

TICP107 SERIES SILICON CONTROLLED RECTIFIERS

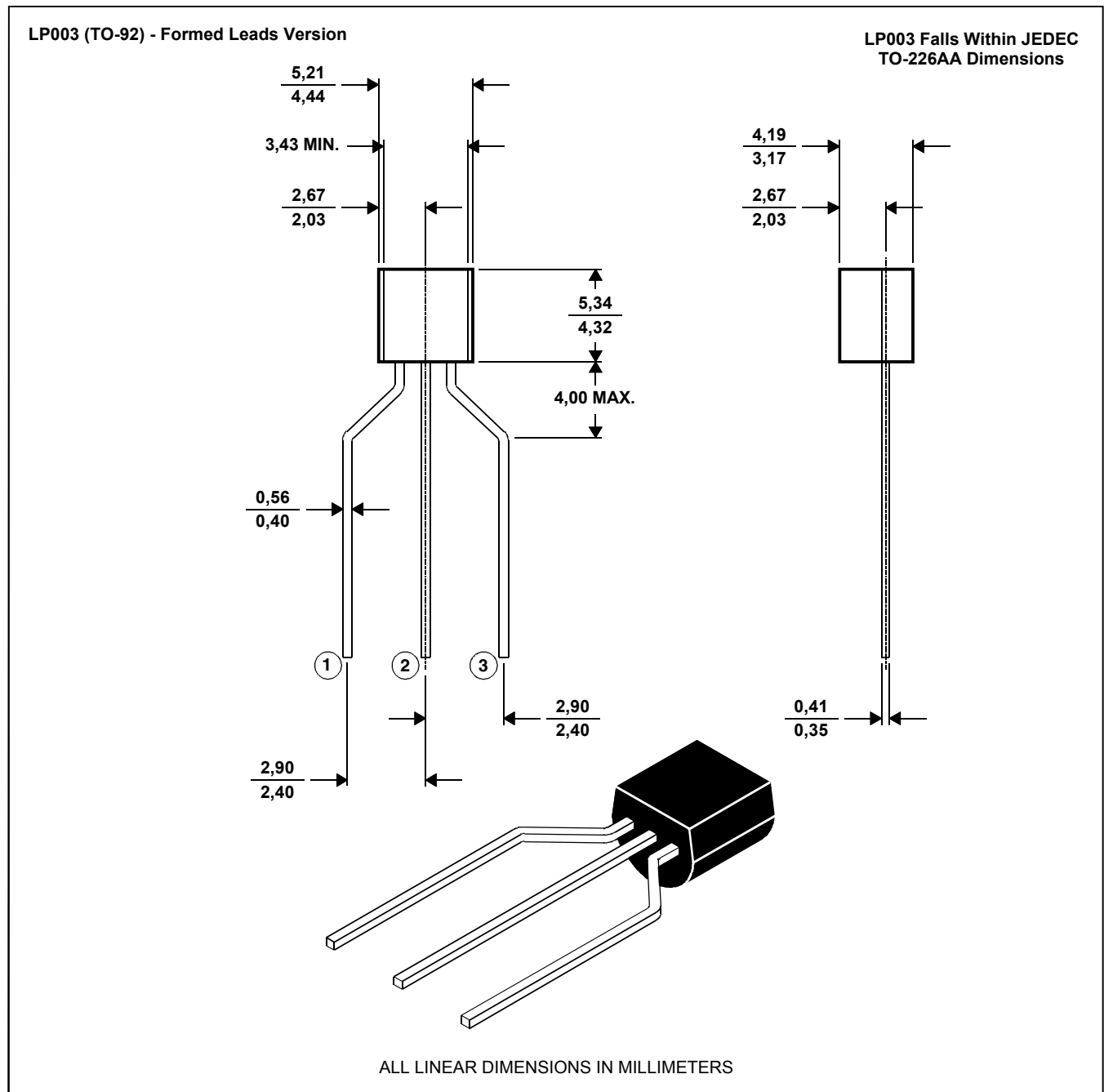
JANUARY 1999 - REVISED JUNE 2000

MECHANICAL DATA

LP003 (TO-92)

3-pin cylindrical plastic package

This single-in-line package consists of a circuit mounted on a lead frame and encapsulated within a plastic compound. The compound will withstand soldering temperature with no deformation, and circuit performance characteristics will remain stable when operated in high humidity conditions. Leads require no additional cleaning or processing when used in soldered assembly.



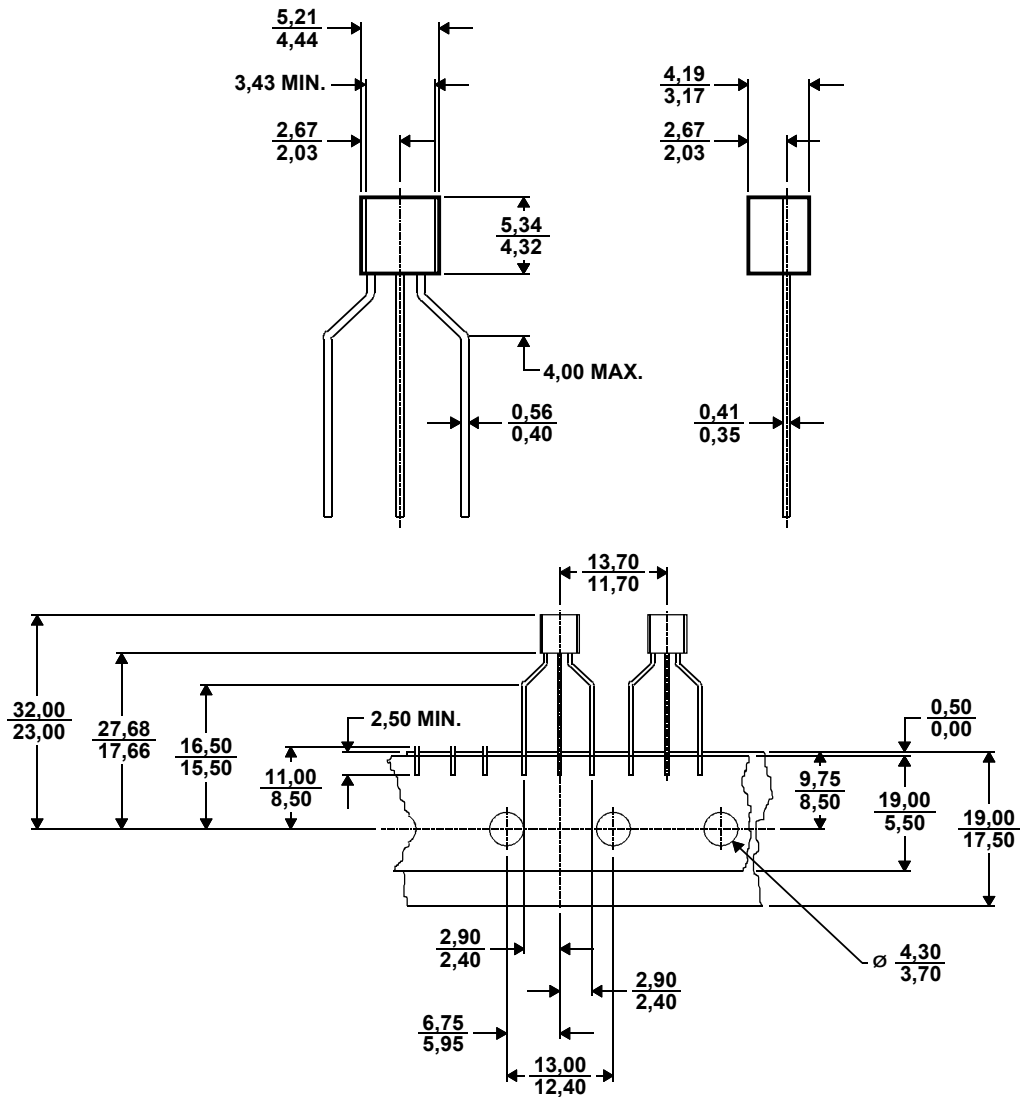
MDXXAR

PRODUCT INFORMATION

MECHANICAL DATA

LPR
tape dimensions

LP Package (TO-92) Tape (Formed Lead Version)



ALL LINEAR DIMENSIONS IN MILLIMETERS

MDXXAS

TICP107 SERIES SILICON CONTROLLED RECTIFIERS

JANUARY 1999 - REVISED JUNE 2000

IMPORTANT NOTICE

Power Innovations Limited (PI) reserves the right to make changes to its products or to discontinue any semiconductor product or service without notice, and advises its customers to verify, before placing orders, that the information being relied on is current.

PI warrants performance of its semiconductor products to the specifications applicable at the time of sale in accordance with PI's standard warranty. Testing and other quality control techniques are utilized to the extent PI deems necessary to support this warranty. Specific testing of all parameters of each device is not necessarily performed, except as mandated by government requirements.

PI accepts no liability for applications assistance, customer product design, software performance, or infringement of patents or services described herein. Nor is any license, either express or implied, granted under any patent right, copyright, design right, or other intellectual property right of PI covering or relating to any combination, machine, or process in which such semiconductor products or services might be or are used.

PI SEMICONDUCTOR PRODUCTS ARE NOT DESIGNED, INTENDED, AUTHORIZED, OR WARRANTED TO BE SUITABLE FOR USE IN LIFE-SUPPORT APPLICATIONS, DEVICES OR SYSTEMS.

Copyright © 2000, Power Innovations Limited

PRODUCT INFORMATION