



TIP127

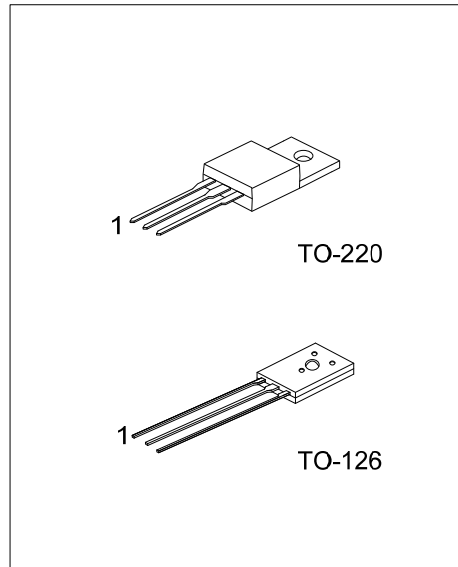
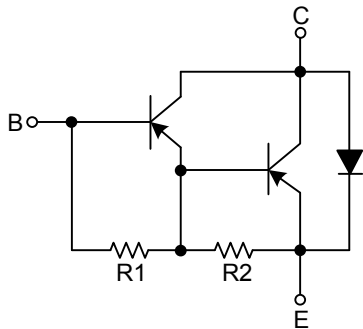
PNP SILICON TRANSISTOR

PNP EPITAXIAL TRANSISTOR

■ DESCRIPTION

The UTC **TIP127** is a PNP epitaxial transistor, designed for use in general purpose amplifier low-speed switching applications.

■ EQUIVALENT TEST ($R_1 \approx 8k\Omega$, $R_2 \approx 0.12k\Omega$)



■ ORDERING INFORMATION

Ordering Number		Package	Pin Assignment			Packing
Lead Free	Halogen Free		1	2	3	
TIP127L-T60-K	TIP127G-T60-K	TO-126	E	C	B	Bulk
TIP127L-TA3-T	TIP127G-TA3-T	TO-220	B	C	E	Tube

<p>TIP127L-T60-K</p> <p>(1)Packing Type (2)Package Type (3)Lead Plating</p>	<p>(1) K: Bulk, T: Tube (2) T60: TO-126, TA3: TO-220 (3) G: Halogen Free, L: Lead Free</p>
---	--

■ ABSOLUTE MAXIMUM RATING ($T_a = 25^\circ\text{C}$, unless otherwise specified)

PARAMETER	SYMBOL	RATINGS	UNIT
Collector to Base Voltage	V_{CBO}	100	V
Collector to Emitter Voltage	V_{CEO}	100	V
Emitter to Base Voltage	V_{EBO}	5	V
Collector Current	I_C	5	A
Power Dissipation	TO-126	40	W
	TO-220	65	W
Junction Temperature	T_J	150	$^\circ\text{C}$
Operating Temperature	T_{OPR}	-20 ~ +85	$^\circ\text{C}$
Storage Temperature	T_{STG}	-55 ~ +150	$^\circ\text{C}$

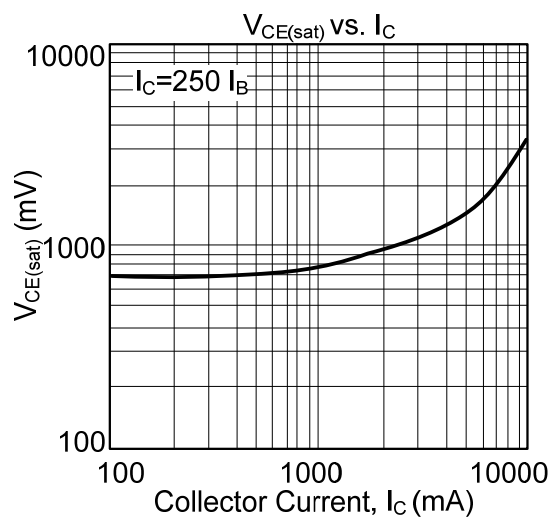
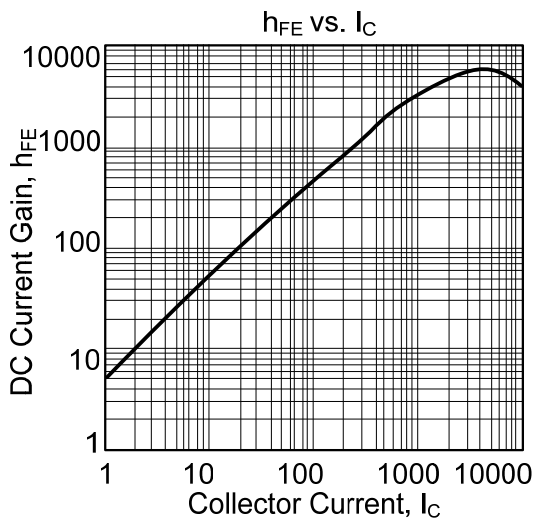
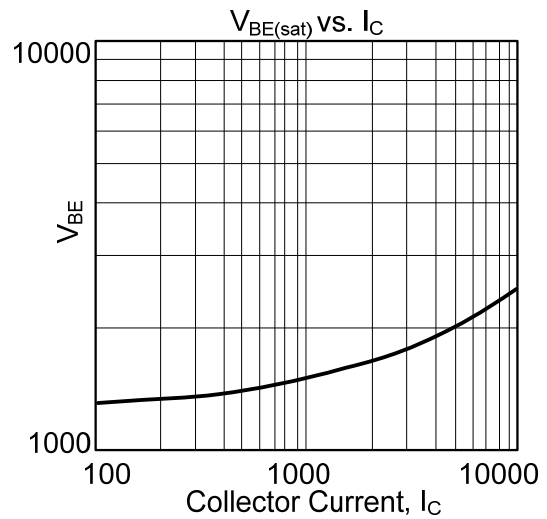
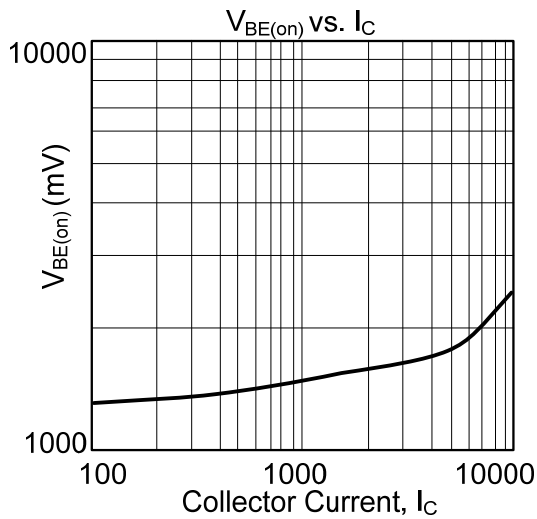
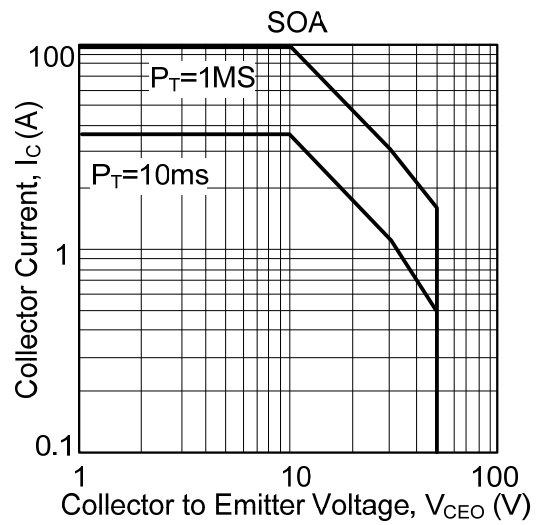
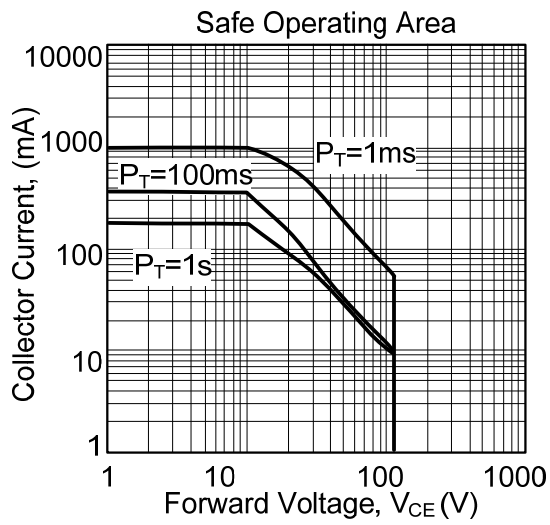
Note: Absolute maximum ratings are the values beyond which the device will be damaged permanently.

Absolute maximum ratings are only stress ratings and it is not implied for functional device operation.

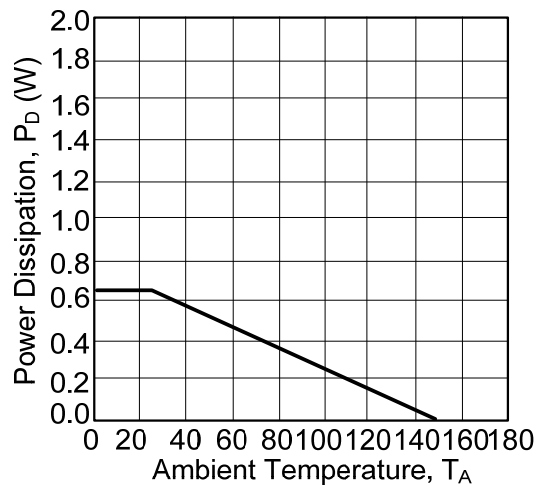
■ ELECTRICAL CHARACTERISTICS ($T_a = 25^\circ\text{C}$, unless otherwise specified)

PARAMETER	SYMBOL	TEST CONDITIONS	MIN	TYP	MAX	UNIT
Collector-Emitter Breakdown Voltage	BV_{CEO}	$I_C = 100\text{mA}$	100			V
Collector Cut-Off Current	I_{CBO}	$V_{CB} = 100\text{V}$			200	μA
Collector-Cut-Off Current	I_{CEO}	$V_{CE} = 50\text{V}$			500	μA
Emitter Cut-Off Current	I_{EBO}	$V_{EB} = 5\text{V}$			2	mA
Collector-Emitter Saturation Voltage	$V_{CE(SAT)1}$	$I_C = 3\text{A}$, $I_B = 12\text{mA}$			2	V
Collector-Emitter Saturation Voltage	$V_{CE(SAT)2}$	$I_C = 5\text{A}$, $I_B = 20\text{mA}$			4	V
Base-Emitter Saturation Voltage	$V_{BE(ON)}$	$V_{CE} = 3\text{V}$, $I_C = 3\text{A}$			2.5	V
DC Current Gain	h_{FE}	$I_C = 500\text{mA}$, $V_{CE} = 3\text{V}$ $I_C = 3\text{A}$, $V_{CE} = 3\text{V}$	1			K

■ TYPICAL CHARACTERISTICS



■ TYPICAL CHARACTERISTICS(Cont.)



UTC assumes no responsibility for equipment failures that result from using products at values that exceed, even momentarily, rated values (such as maximum ratings, operating condition ranges, or other parameters) listed in products specifications of any and all UTC products described or contained herein. UTC products are not designed for use in life support appliances, devices or systems where malfunction of these products can be reasonably expected to result in personal injury. Reproduction in whole or in part is prohibited without the prior written consent of the copyright owner. The information presented in this document does not form part of any quotation or contract, is believed to be accurate and reliable and may be changed without notice.