



# TK113xx B

## ABSOLUTE MAXIMUM RATINGS

Supply Voltage .....	16 V	Reverse Bias .....	10 V
Output Current .....	260 mA	Storage Temperature Range .....	-55 to +150 °C
Power Dissipation .....	(Note 1)	Operating Temperature Range .....	-30 to +80 °C
SOT-23L .....	600 mW	Voltage Range .....	1.8 to 14.5 V
SOT-89-5 .....	900 mW	Junction Temperature .....	150 °C

## TK113XXB ELECTRICAL CHARACTERISTICS

Test conditions:  $T_A = 25\text{ °C}$ , unless otherwise specified.

SYMBOL	PARAMETER	TEST CONDITIONS	MIN	TYP	MAX	UNITS
$I_Q$	Quiescent Current	$I_{OUT} = 0\text{ mA}$ , Except $I_{CONT}$		170	250	$\mu\text{A}$
$I_{STBY}$	Standby Current	$V_{IN} = 8\text{ V}$ , at output off			0.1	$\mu\text{A}$
$V_O$	Output Voltage	$I_{OUT} = 30\text{ mA}$	See table 1			V
Line Reg	Line Regulation	$V_O \leq 5.5\text{ V}$ (Note 2)		3.0	20	mV
Load Reg	Load Regulation	$I_{OUT} = 1\text{ mA} \rightarrow 60\text{ mA}$ (Note 3)		6	30	mV
		$I_{OUT} = 1\text{ mA} \rightarrow 100\text{ mA}$ (Note 3)		18	90	mV
$V_{DROP}$	Dropout Voltage	$I_{OUT} = 60\text{ mA}$		0.12	0.24	V
$I_{OUT}$	Continuous Output Current	$I_{OUT}$ when $V_{OUT}$ drops 0.3 V from $V_O$ (typ) (Note 3)			150	mA
RR	Ripple Rejection	$f = 400\text{ Hz}$ , $C_L = 10\text{ }\mu\text{F}$ , $C_N = 0.1\text{ }\mu\text{F}$ $V_{IN} = V_{OUT} + 1.5\text{ V}$ , $I_{OUT} = 30\text{ mA}$ , (Note 4)		55		dB
$V_{NO}$	Output Noise Voltage	$10\text{ Hz} \leq f \leq 80\text{ KHz}$ , $V_{CN} = V_{OUT} + 1.5\text{ V}$ , $I_{OUT} = 60\text{ mA}$ , $C_L = 10\text{ }\mu\text{F}$ , $C_N = 0.1\text{ }\mu\text{F}$ , (Notes 4,5)		30		$\mu\text{Vrms}$
$I_{OUT (PULSE)}$	Pulse Output Current	5 ms pulse, 12.5% duty cycle			200	mA
$V_{REF}$	Noise Bypass Terminal Voltage			1.25		V
<b>Control Terminal Specification</b>						
$I_{CONT}$	Control Current	Output on, $V_{CONT} = 1.8\text{ V}$		12	35	$\mu\text{A}$
$V_{CONT}$	Control Voltage	Output on	$V_{IN}-1.8$			V
		Output off			$V_{IN}-0.6$	V
$\Delta V_O/T_A$	Output Voltage Temperature Coefficient	$I_{OUT} = 10\text{ mA}$		0.09		$\text{mV}/\text{°C}$

Note 1: When mounted as recommended. Derate at 4.8 mW/°C for SOT-23L and 6.4 mW/°C for SOT-89-5 packages when ambient temperatures are over 25 °C.

Note 2: For Line Regulation  $V_O > 5.6\text{ V}$ , Typ and Max values are 15 and 40 mV.

Note 3: Refer to Definition of Terms.

Note 4: Ripple Rejection and noise voltage are affected by the value and characteristics of the capacitor used.

Note 5: Output noise voltage can be reduced by connecting a capacitor to a noise pass terminal.

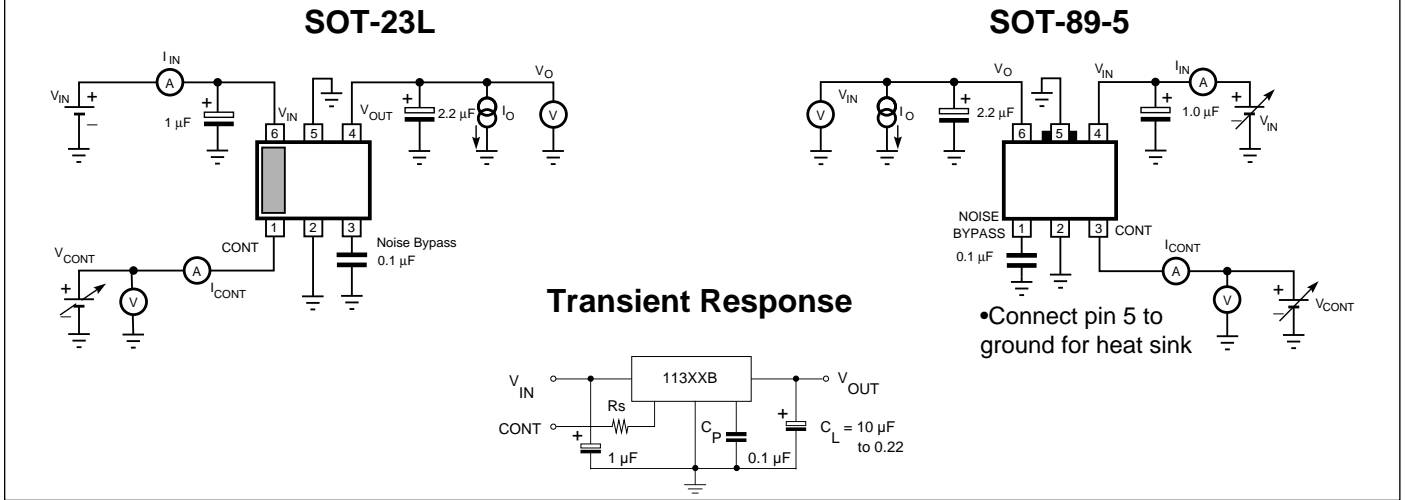
Gen. Note: Parameters with min. or max. values are 100% tested at  $T_A = 25\text{ °C}$ .

## TK113xxB ELECTRICAL CHARACTERISTICS (Table 1)

Output Voltage	Voltage Code	V <sub>IN</sub> Max	V <sub>OUT</sub> Max	Test Voltage
2.0 V	20	1.94 V	2.06 V	3.0 V
2.1 V	21	2.04 V	2.16 V	3.1 V
2.2 V	22	2.14 V	2.26 V	3.2 V
2.3 V	23	2.24 V	2.36 V	3.3 V
2.4 V	24	2.34 V	2.46 V	3.4 V
2.5 V	25	2.44 V	2.56 V	3.5 V
2.6 V	26	2.54 V	2.66 V	3.6 V
2.7 V	27	2.64 V	2.76 V	3.7 V
2.8 V	28	2.74 V	2.86 V	3.8 V
2.9 V	29	2.84 V	2.96 V	3.9 V
3.0 V	30	2.94 V	3.06 V	4.0 V
3.1 V	31	3.04 V	3.16 V	4.1 V
3.2 V	32	3.14 V	3.26 V	4.2 V
3.3 V	33	3.24 V	3.36 V	4.3 V
3.4 V	34	3.335 V	3.465 V	4.4 V
3.5 V	35	3.435 V	3.565 V	4.5 V
3.6 V	36	3.535 V	3.665 V	4.6 V

Output Voltage	Voltage Code	V <sub>IN</sub> Max	V <sub>OUT</sub> Max	Test Voltage
3.7	37	3.630	3.770	4.7
3.8	38	3.725	3.875	4.8
3.9	39	3.825	3.975	4.9
4.0	40	3.920	4.080	5.0
4.1	41	4.020	4.180	5.1
4.2	42	4.120	4.280	5.2
4.3	43	4.215	4.385	5.3
4.4	44	4.315	4.485	5.4
4.5	45	4.410	4.590	5.5
4.6	46	4.510	4.690	5.6
4.7	47	4.605	4.795	5.7
4.8	48	4.705	4.895	5.8
4.9	49	4.800	5.000	5.9
5.0	50	4.900	5.100	6.0
5.5	55	5.390	5.610	6.5
6.0	60	5.880	6.120	7.0
8.0	80	7.840	8.160	9.0

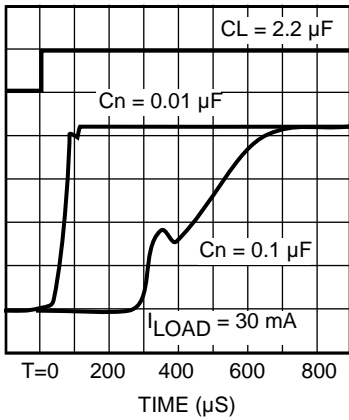
## TEST CIRCUITS



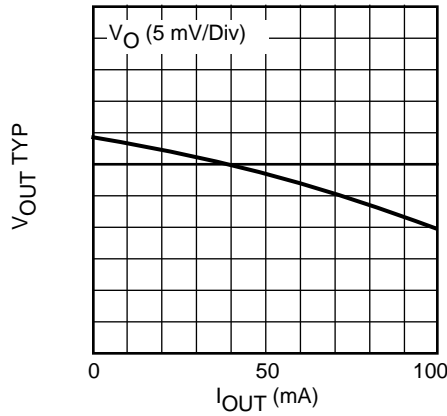
## TYPICAL PERFORMANCE CHARACTERISTICS

$T_A = 25^\circ\text{C}$  unless otherwise specified

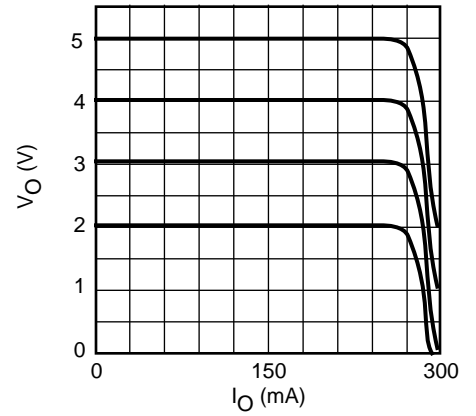
### OUTPUT VOLTAGE RESPONSE (OFF → ON)



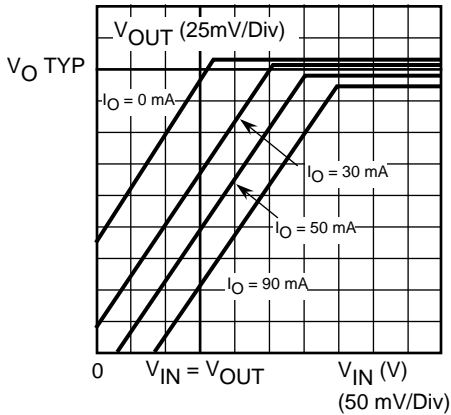
### LOAD REGULATION



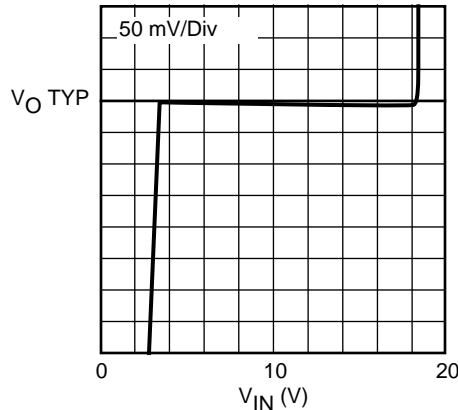
### SHORT CIRCUIT CURRENT



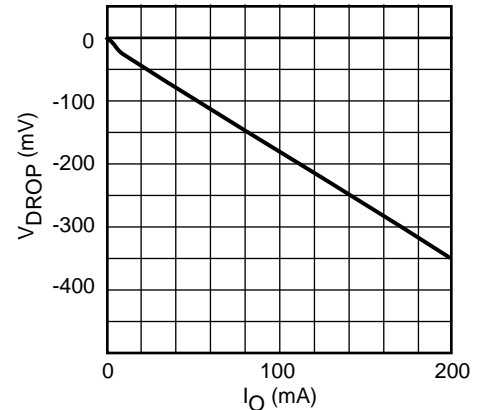
### OUTPUT VOLTAGE vs. INPUT VOLTAGE



### LINE REGULATION

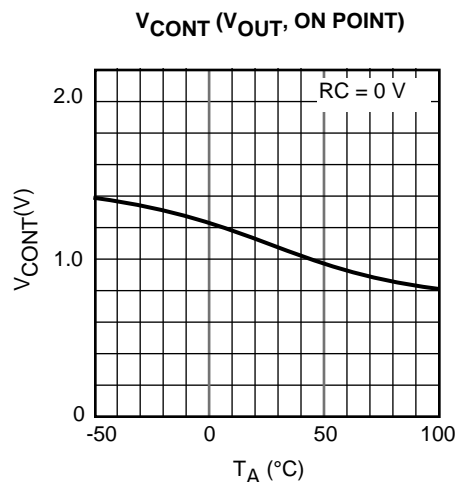
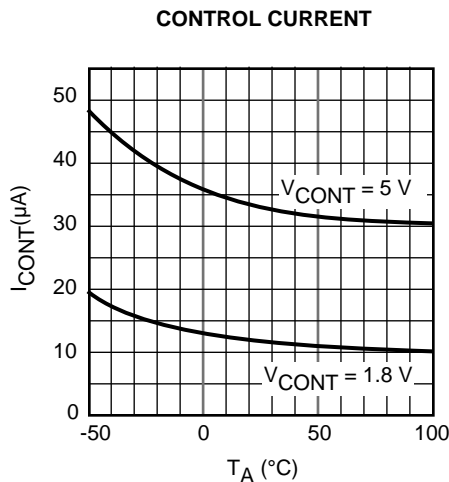
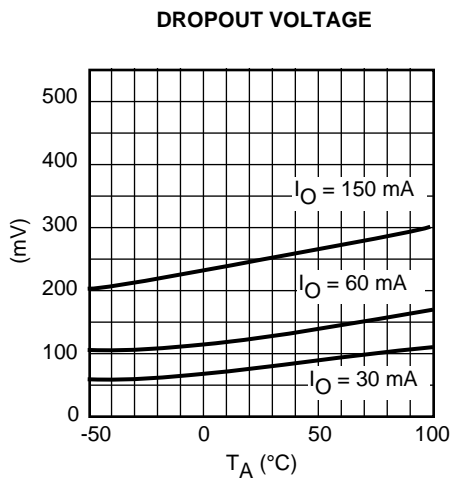
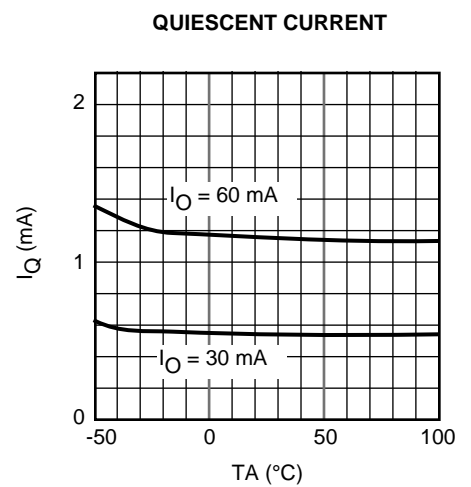
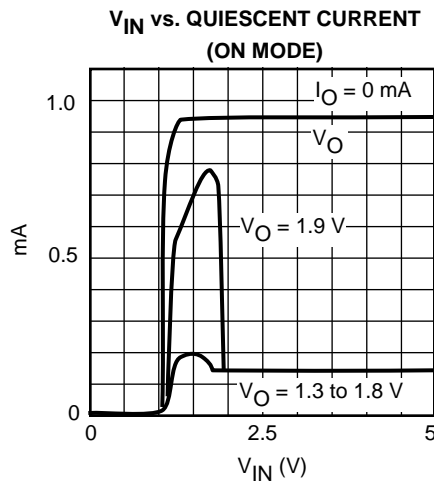
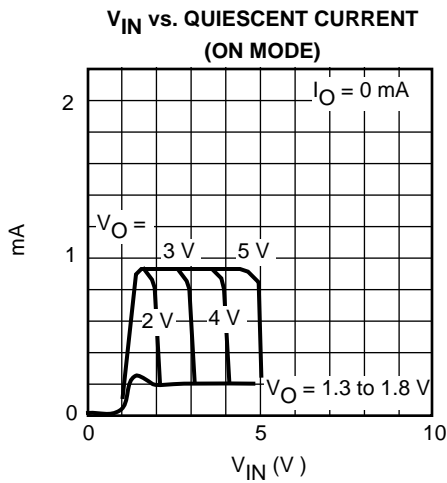
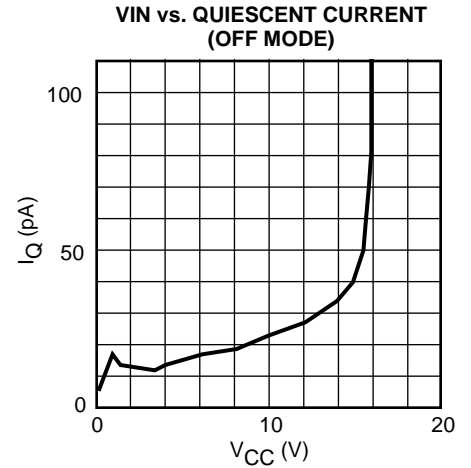
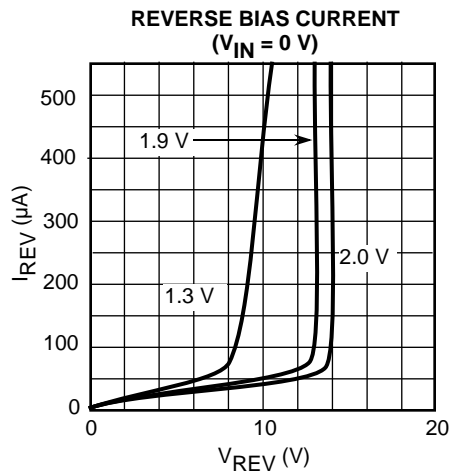
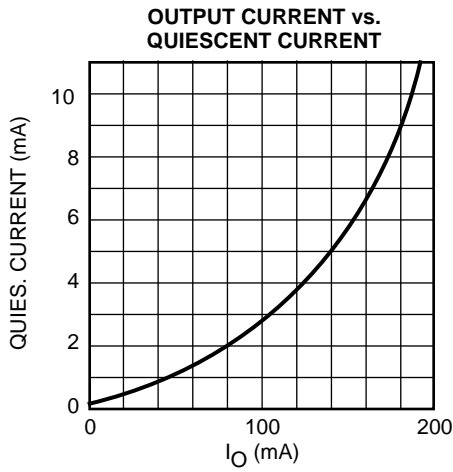


### OUTPUT CURRENT vs. DROPOUT VOLTAGE



TYPICAL PERFORMANCE CHARACTERISTICS (CONT.)

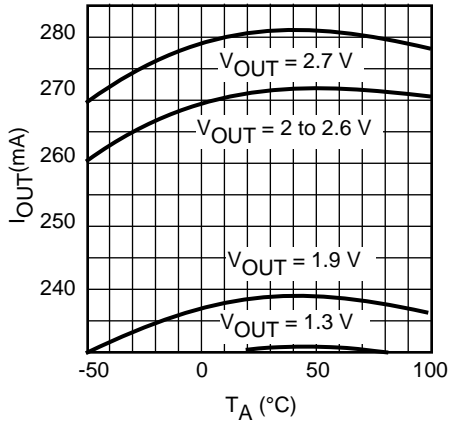
$T_A = 25^\circ\text{C}$  unless otherwise specified



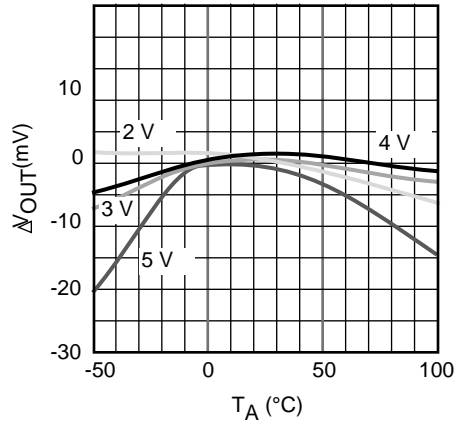
## TYPICAL PERFORMANCE CHARACTERISTICS (CONT.)

$T_A = 25^\circ\text{C}$  unless otherwise specified

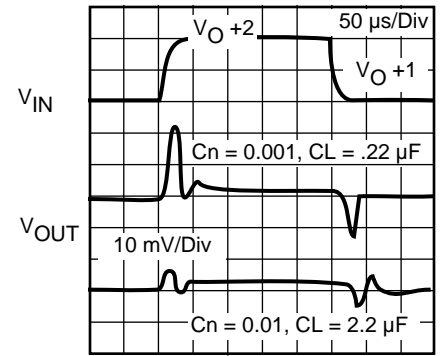
MAXIMUM OUTPUT CURRENT



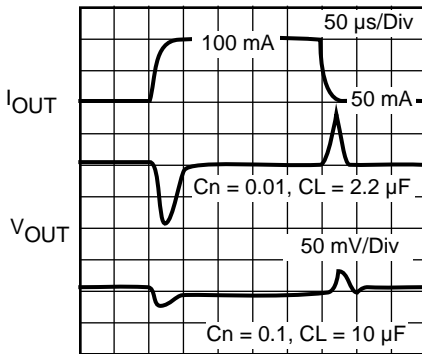
OUTPUT VOLTAGE VARIATION



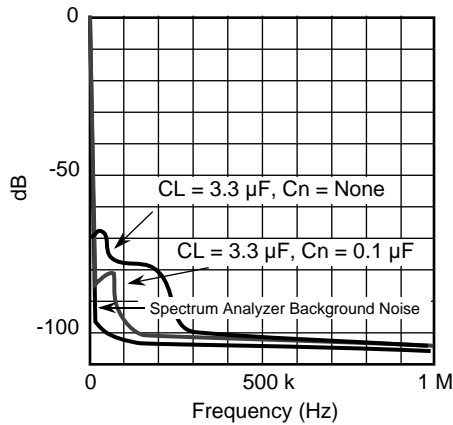
LINE VOLTAGE STEP RESPONSE



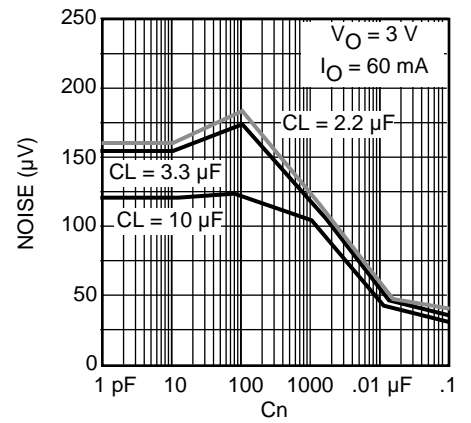
LOAD CURRENT STEP RESPONSE



NOISE SPECTRUM



NOISE LEVEL vs.  $C_N$



## DEFINITION AND EXPLANATION OF TECHNICAL TERMS

### OUTPUT VOLTAGE ( $V_O$ )

The output voltage is specified with  $V_{IN} = (V_{O(TYP)} + 1 \text{ V})$  and  $I_O = 30 \text{ mA}$ .

### DROPOUT VOLTAGE ( $V_{DROP}$ )

The dropout voltage is the difference between the input voltage and the output voltage at which point the regulator starts to fall out of regulation. Below this value, the output voltage will fall as the input voltage is reduced. It is dependent upon the load current and the junction temperature.

### OUTPUT CURRENT ( $I_O$ MAX)

The rated output current is specified under the condition where the output voltage drops 0.3 V below the value specified with  $I_O = 30 \text{ mA}$ . The input voltage is set to  $V_O + 1 \text{ V}$ , and the current is pulsed to minimize temperature effect.

### CONTINUOUS OUTPUT CURRENT ( $I_O$ )

Normal operated output current. This is limited by package power dissipation.

### PULSE OUTPUT CURRENT ( $I_O$ (PULSE))

Max pulsewidth 5ms, Duty cycle 12.5%: pulse load only

### LINE REGULATION (LINE REG)

Line Regulation is the ability of the regulator to maintain a constant output voltage as the input voltage changes. The line regulation is specified as the input voltage is changed from  $V_{IN} = V_O + 1 \text{ V}$  to  $V_{IN} = V_O + 6 \text{ V}$ .

### LOAD REGULATION (LOAD REG)

Load regulation is the ability of the regulator to maintain a constant output voltage as the load current changes. It is a pulsed measurement to minimize temperature effects with the input voltage set to  $V_{IN} = V_O + 1 \text{ V}$ . The load regulation is specified under two output current step conditions of 1 mA to 60 mA and 1 mA to 100 mA.

### QUIESCENT CURRENT ( $I_Q$ )

The quiescent current is the current which flows through the ground terminal under no load conditions ( $I_O = 0 \text{ mA}$ )

### RIPPLE REJECTION RATIO

Ripple rejection is the ability of the regulator to attenuate the ripple content of the input voltage at the output. It is specified with 100 mVrms, 400 Hz superimposed on the input voltage, where  $V_{IN} = V_O + 1.5 \text{ V}$ . The output decoupling capacitor is set to 10  $\mu\text{F}$ , the noise bypass capacitor is set to 0.1  $\mu\text{F}$ , and the load current is set to 30 mA. Ripple rejection is the ratio of the ripple content of the output vs. the input and is expressed in dB.

### STANDBY CURRENT

Standby current is the current which flows into the regulator when the output is turned off by the control function ( $V_{CONT} = V_{IN}$ ). It is measured with  $V_{IN} = 8 \text{ V}$  (9 V for the 8 V output device.)

### SENSOR CIRCUIT

#### Over current sensor

The overcurrent sensor protects the device in the event that the output is shorted to ground.

#### Thermal sensor

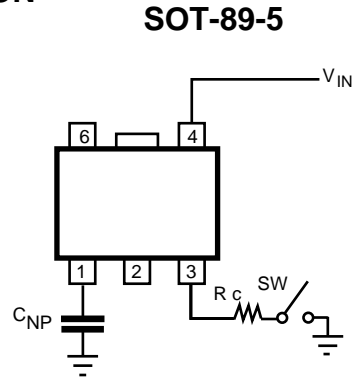
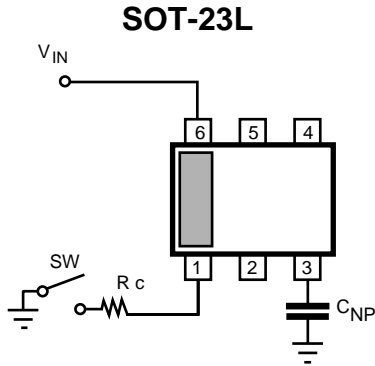
The thermal sensor protects the device in the event that the junction temperature exceeds the safe value ( $T_J = 150 \text{ }^\circ\text{C}$ ). This temperature rise can be caused by external heat, excessive power dissipation caused by large input to output voltage drops, or excessive output current. The regulator will shut off when the temperature exceeds the safe value. As the junction temperatures decrease, the regulator will begin to operate again. Under sustained fault conditions, the regulator output will oscillate as the device turns off then resets. Damage may occur to the device under extreme fault conditions.

#### Reverse Voltage Protection

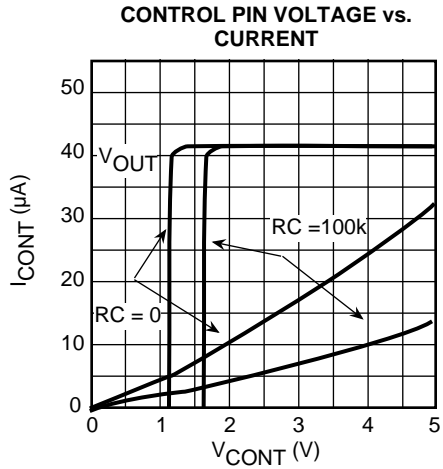
Reverse voltage protection prevents damage due to the output voltage being higher than the input voltage. This fault condition can occur when the output capacitor remains charged and the input is reduced to zero, or when an external voltage higher than the input voltage is applied to the output side.

DEFINITION AND EXPLANATION OF TECHNICAL TERMS (CONT.)

CONTROL FUNCTION



If the control function is not used, connect the control terminal to ground. When the control function is used, the control current can be reduced by inserting a series resistor ( $R_c$ ) between the control terminal and  $V_{IN}$ . The value of this resistor should be determined from the graph below.



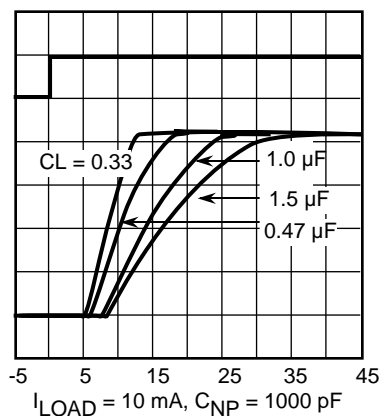


## DEFINITION AND EXPLANATION OF TECHNICAL TERMS (CONT.)

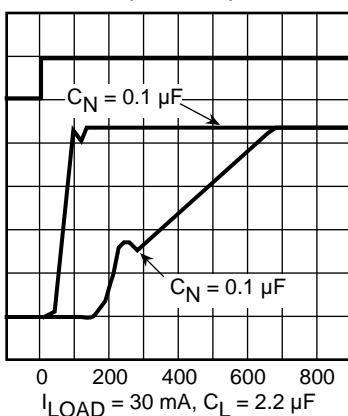
### ON/OFF RESPONSE WITH CONTROL AND LOAD TRANSIENT RESPONSE

The turn on time depends upon the value of the output capacitor and the noise bypass capacitor. The turn on time will increase with the value of either capacitor. The graph below shows the relationship between turn on time and load capacitance. If the value of these capacitors is reduced, the load and line regulation will suffer and the noise voltage will increase. If the value of these capacitors is increased, the turn on time will increase.

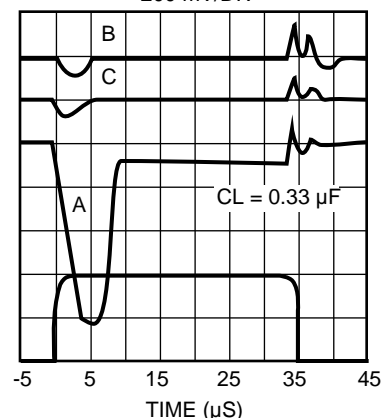
OUTPUT VOLTAGE RESPONSE  
(OFF→ON)



OUTPUT VOLTAGE RESPONSE  
(OFF→ON)



LOAD CURRENT STEP  
200 mV/DIV



$I_{LOAD}$   
A = 0 to 30, B = 5 to 35, C = 30 to 60 mA

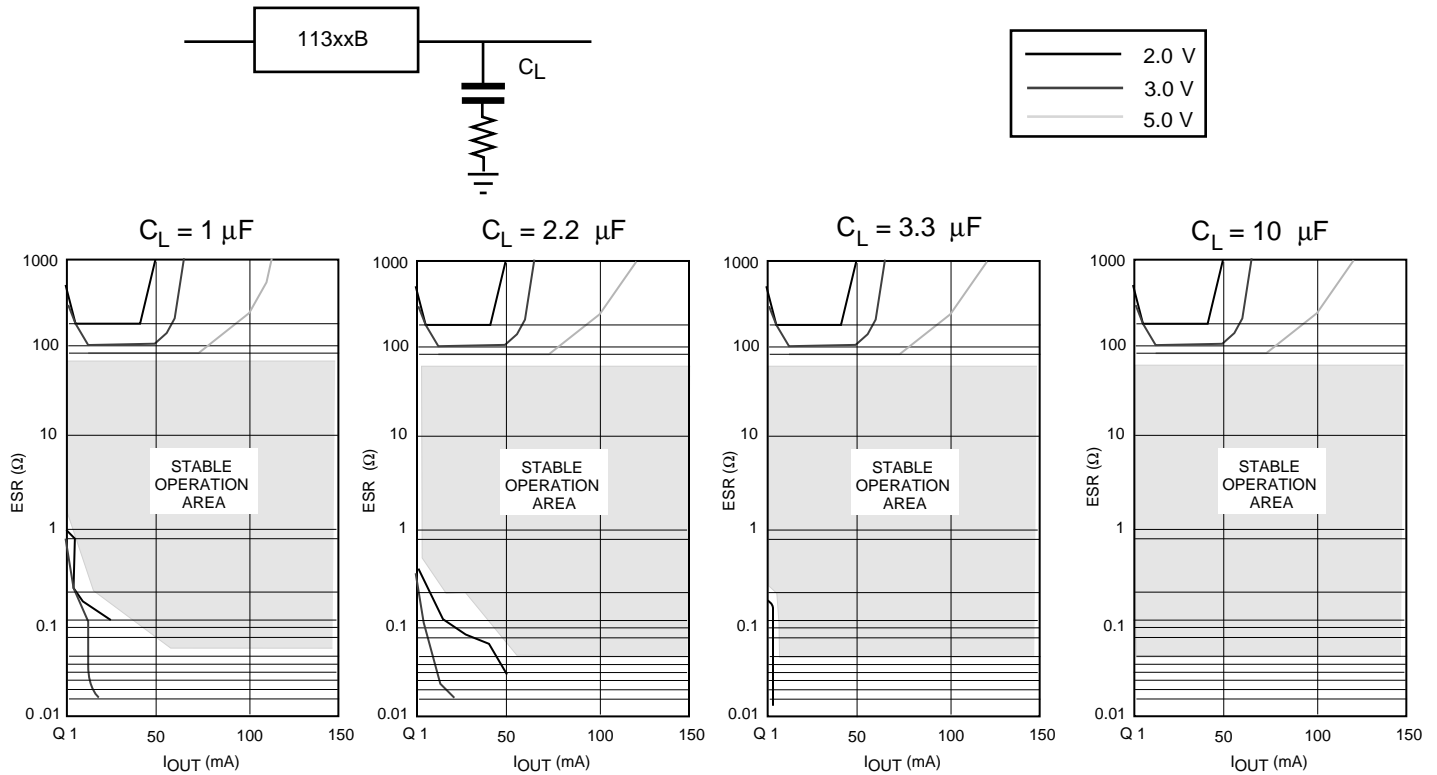
### REDUCTION OF OUTPUT NOISE

Although the architecture of the Toko regulators is designed to minimize semiconductor noise, further reduction can be achieved by the selection of external components. The obvious solution is to increase the size of the output capacitor. A more effective solution would be to add a capacitor to the noise bypass terminal. The value of this capacitor should be  $0.1 \text{ } \mu\text{F}$  or higher (higher values provide greater noise reduction). Although stable operation is possible without the noise bypass capacitor, this terminal has a high impedance and care should be taken to avoid a large circuit area on the printed circuit board when the capacitor is not used. Please note that several parameters are affected by the value of the capacitors and bench testing is recommended when deviating from standard values.

## DEFINITION AND EXPLANATION OF TECHNICAL TERMS (CONT.)

### INPUT-OUTPUT CAPACITORS

Linear regulators require an output capacitor in order to maintain regulator loop stability. This capacitor should be selected to insure stable operation over the desired temperature and load range. The graphs below show the effects of capacitance value and equivalent series resistance (ESR) on the stable operation area.



In general, the capacitor should be at least 1  $\mu\text{F}$  (Aluminum electrolytic) and be rated for the actual ambient operating temperature range. The table below shows typical characteristics for several types and values of capacitance. Please note that the ESR varies widely depending upon manufacturer, type, size, and material.

ESR / Capacitance	Aluminum Capacitor	Tantalum Capacitor	Ceramic Capacitor
1.0 $\mu\text{F}$	2.4 $\Omega$	2.3 $\Omega$	0.14 $\Omega$
2.2	2.0 $\Omega$	1.9 $\Omega$	0.059 $\Omega$
3.3	4.6 $\Omega$	1.0 $\Omega$	0.049 $\Omega$
10.0	1.4 $\Omega$	0.5 $\Omega$	0.025 $\Omega$

Note: ESR is measured at 10 KHz.

## DEFINITION AND EXPLANATION OF TECHNICAL TERMS (CONT.)

### PACKAGE POWER DISSIPATION ( $P_D$ )

This is the power dissipation level at which the thermal sensor is activated. The IC contains an internal thermal sensor which monitors the junction temperature. When the junction temperature exceeds the monitor threshold of 150 °C, the IC is shutdown. The junction temperature rises as the difference between the input power ( $V_{IN} \times I_{IN}$ ) and the output power ( $V_{OUT} \times I_{OUT}$ ) increases. The rate of temperature rise is greatly affected by the mounting pad configuration on the PCB, the board material, and the ambient temperature. When the IC mounting has good thermal conductivity, the junction temperature will be low even if the power dissipation is great. When mounted on the recommended mounting pad, the power dissipation of the SOT-23L is increased to 600 mW. For operation at ambient temperatures over 25 °C, the power dissipation of the SOT-23L device should be derated at 4.8 mW/°C. The power dissipation of the SOT-89-5 package is 900 mW when mounted as recommended. Derate the power dissipation at 7.2 mW/°C for operation above 25 °C. To determine the power dissipation for shutdown when mounted, attach the device on the actual PCB and deliberately increase the output current (or raise the input voltage) until the thermal protection circuit is activated. Calculate the power dissipation of the device by subtracting the output power from the input power. These measurements should allow for the ambient temperature of the PCB. The value obtained from  $P_D / (150 \text{ °C} - T_A)$  is the derating factor. The PCB mounting pad should provide maximum thermal conductivity in order to maintain low device temperatures. As a general rule, the lower the temperature, the better the reliability of the device. The Thermal resistance when mounted is expressed as follows:

$$T_J = \theta_{JA} \times P_D + T_A$$

For Toko ICs, the internal limit for junction temperature is 150 °C. If the ambient temperature,  $T_A$  is 25 °C, then:

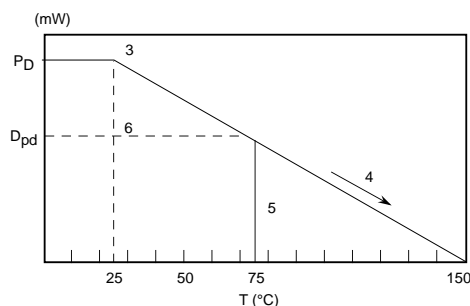
$$150 \text{ °C} = \theta_{JA} \times P_D + 25 \text{ °C}$$

$$\theta_{JA} \times P_D = 125 \text{ °C}$$

$$\theta_{JA} = 125 \text{ °C} / P_D$$

$P_D$  is the value when the thermal sensor is activated. A simple way to determine  $P_D$  is to calculate  $V_{IN} \times I_{IN}$  when the output side is shorted. Input current gradually falls as temperature rises. You should use the value when thermal equilibrium is reached.

The range of currents usable can also be found from the graph below.



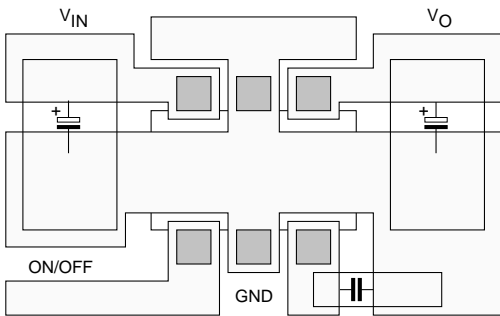
Procedure:

- 1.) Find  $P_D$
- 2.)  $P_{D1}$  is taken to be  $P_D \times (\approx 0.8 \sim 0.9)$
- 3.) Plot  $P_{D1}$  against 25 °C
- 4.) Connect  $P_{D1}$  to the point corresponding to the 150 °C with a straight line.
- 5.) In design, take a vertical line from the maximum operating temperature (e.g. 75 °C) to the derating curve.
- 6.) Read off the value of  $P_D$  against the point at which the vertical line intersects the derating curve. This is taken as the maximum power dissipation,  $P_{PD}$ .

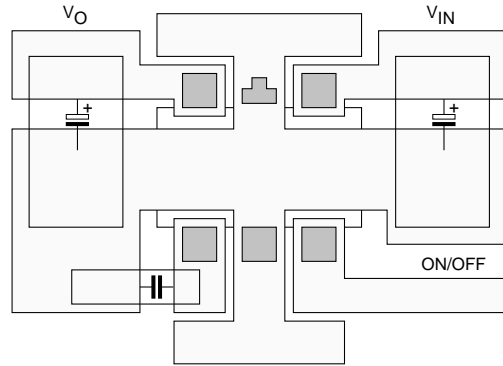
# TK113xx B

The maximum operating current is:

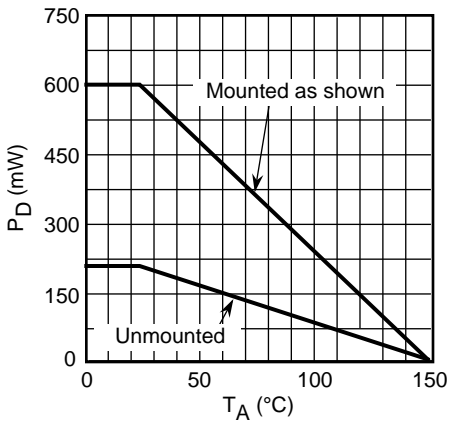
$$I_{OUT} = (D_{PD} / (V_{IN(MAX)} - V_{OUT}))$$



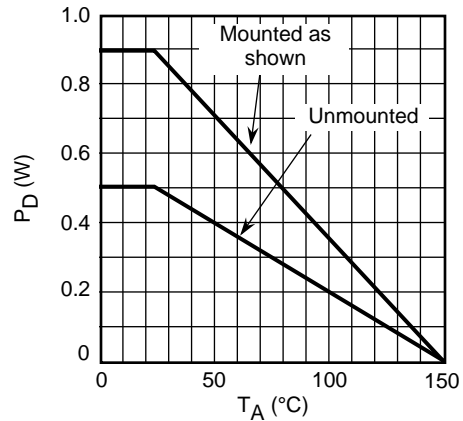
SOT-23L Board Layout



SOT-89-5 Board Layout



SOT-23L Power Dissipation Curve



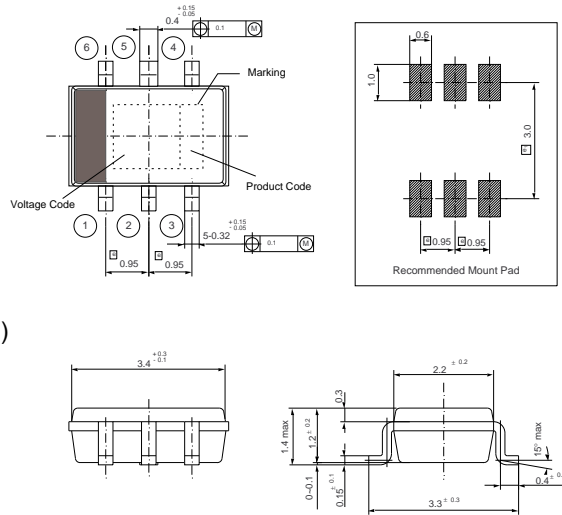
SOT-89-5 Power Dissipation Curve

## APPLICATION HINTS

Copper pattern should be as large as possible. Power dissipation is 600 mW for SOT-23L and 900 mW for SOT-89-5. A low ESR capacitor is recommended. For low temperature operation, select a capacitor with a low ESR at the lowest operating temperature to prevent oscillation, degradation of ripple rejection and increase in noise. The minimum recommended capacitance is 2.2  $\mu$ F.

PACKAGE OUTLINE

SOT-23L

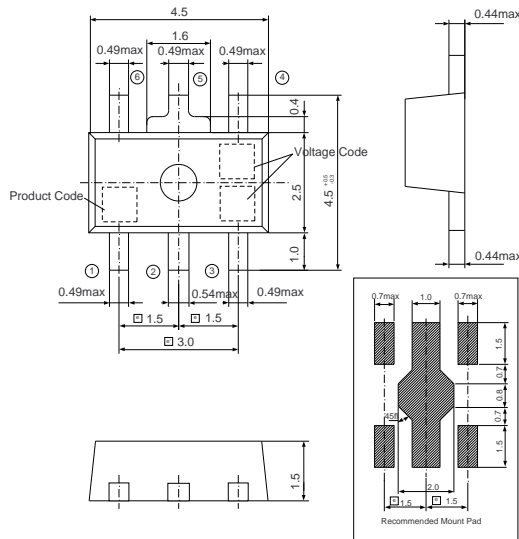


(Pin 2 and pin 5 should be grounded for heat dissipation)

Marking Information

Product Code	Q
Voltage Code	
TK11320B	20
TK11321B	21
TK11322B	22
TK11323B	23
TK11324B	24
TK11325B	25
TK11326B	26
TK11327B	27
TK11328B	28
TK11329B	29
TK11330B	30
TK11331B	31
TK11332B	32
TK11333B	33
TK11334B	34
TK11335B	35
TK11336B	36
TK11337B	37
TK11338B	38
TK11339B	39
TK11340B	40
TK11341B	41
TK11342B	42
TK11343B	43
TK11344B	44
TK11345B	45
TK11346B	46
TK11347B	47
TK11348B	48
TK11349B	49
TK11350B	50
TK11355B	55
TK11360B	60
TK11380B	80

SOT-89-5



The information furnished by TOKO, Inc. is believed to be accurate and reliable. However, TOKO reserves the right to make changes or improvements in the design, specification or manufacture of its products without further notice. TOKO does not assume any liability arising from the application or use of any product or circuit described herein, nor for any infringements of patents or other rights of third parties which may result from the use of its products. No license is granted by implication or otherwise under any patent or patent rights of TOKO, Inc.



TOKO AMERICA REGIONAL OFFICES

**Midwest Regional Office**  
 Toko America, Inc.  
 1250 Feehanville Drive  
 Mount Prospect, IL 60056  
 Tel: (847) 297-0070  
 Fax: (847) 699-7864

**Western Regional Office**  
 Toko America, Inc.  
 2480 North First Street, Suite 260  
 San Jose, CA 95131  
 Tel: (408) 432-8281  
 Fax: (408) 943-9790

**Eastern Regional Office**  
 Toko America, Inc.  
 107 Mill Plain Road  
 Danbury, CT 06811  
 Tel: (203) 748-6871  
 Fax: (203) 797-1223

**Semiconductor Technical Support**  
 Toko Design Center  
 4755 Forge Road  
 Colorado Springs, CO 80907  
 Tel: (719) 528-2200  
 Fax: (719) 528-2375

<http://www.tokoam.com>

IC-214-TK113B  
 059702500