

# SERIES TL 1220 SWITCHES



## ILLUMINATED TACT SWITCH



### FEATURES & BENEFITS

- Multiple illuminated cap options
- Single color LED options available
- Sharp, tactile response

### APPLICATIONS / MARKETS

- Telecommunications
- Consumer Electronics
- Audio/visual
- Medical
- Computer/servers/peripherals

### MECHANICAL SPECIFICATIONS

Mechanical Life:	500,000 cycles
Force:	180 ± 50 gf
Travel:	0.2mm ± 0.1mm

### ELECTRICAL SPECIFICATIONS

Contact Rating:	12VDC @ 50mA
Contact Resistance (Initial Max.):	100 mOhms @ 1.5VDC
Insulation Resistance (min.@500V):	100 MOhms
Dielectric Strength (1 Min.):	500VAC
Bounce:	10m Second Max

### ENVIRONMENTAL SPECIFICATIONS

Operating Temperature:	-20°C to +70°C
------------------------	----------------

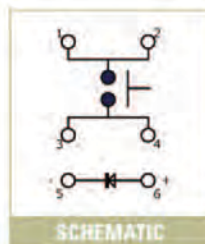
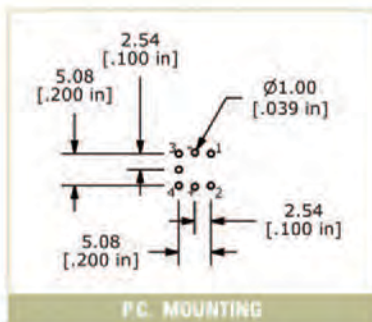
### HOW TO ORDER



Example Ordering Number  
TL1220S1BBBRN

\* The S3 and S4 rectangular buttons are not available with bezel options

Specifications subject to change without notice.



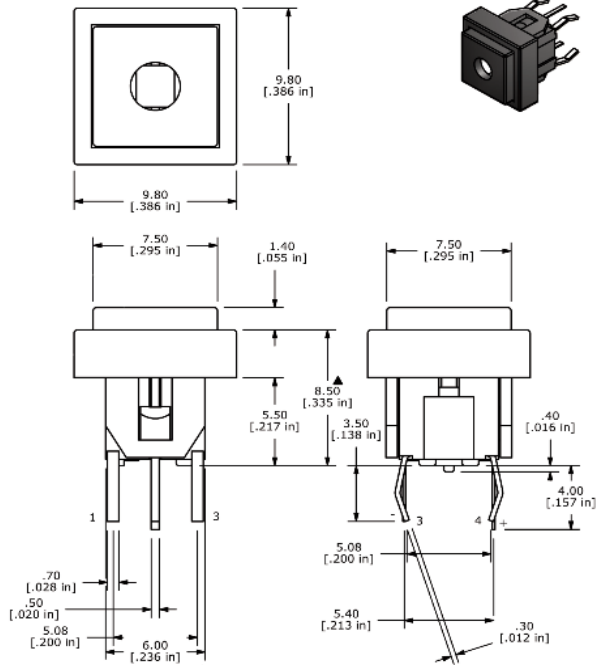
LED Specifications						
	UNITS	BLUE	RED	GREEN	YELLOW	WHITE
Forward Current	mA	5mA	20mA	20mA	20mA	20mA
Forward Voltage @20mA	VDC	2.9-4.0	1.95-2.5	2.1-2.5	2.0-2.5	3.2-4.0
Luminous Intensity @20mA	mcd	150	3000	400	1300	100

# SERIES TL 1220 SWITCHES

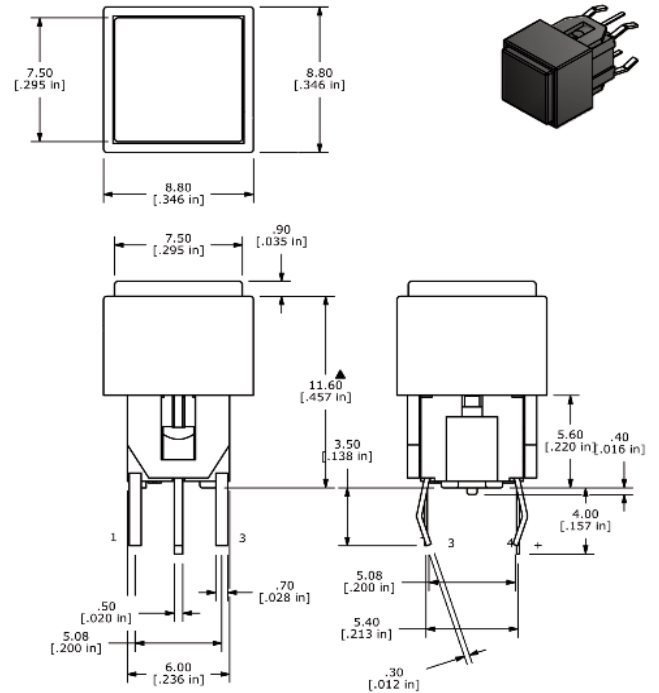
## ILLUMINATED TACT SWITCH



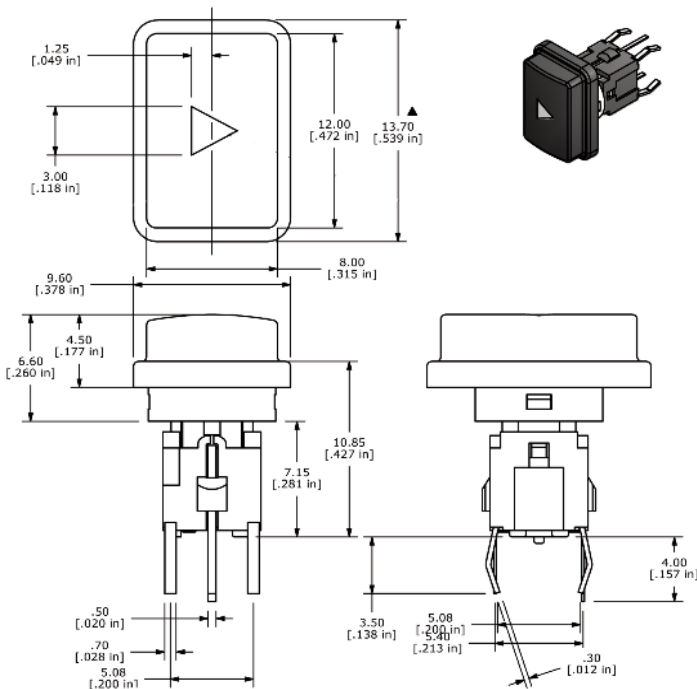
**S1 Button - 7.5mm Square Short**



**S2 Button - 7.5mm Square Tall**



**S3 Button - 10x14 Rectangle**



**S4 Button - 10x19 Rectangle**

