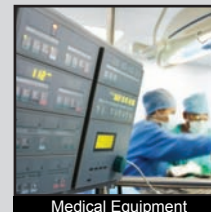
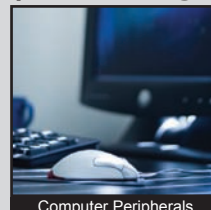
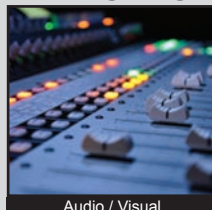


TL1270 SERIES TACT SWITCH

ANTI-VANDAL SWITCHES
 DETECTOR SWITCHES
 DIP SWITCHES
 KEYLOCK SWITCHES
 NAVIGATION SWITCHES
 PUSHBUTTON SWITCHES
 ROCKER SWITCHES
 ROTARY SWITCHES
 SLIDE SWITCHES
 SNAP ACTION SWITCHES
TACTILE SWITCHES
 TOGGLE SWITCHES
 CAP OPTIONS



APPLICATIONS / MARKETS



RoHS

SPECIFICATIONS

Electrical Rating: 50mA @ 12VDC
Life Expectancy: 100,000 Cycles
Contact Resistance: 500mΩ Max.
Insulation Resistance: 100 MΩ Min. at 100VDC
Dielectric Strength: 250VAC for 1 min.
Operating Temperature: -40°C to 85°C
Storage Temperature: -40°C to 85°C
Operating Force: 160 gf, 250 gf
Travel: 0.20mm
Contact Arrangement: SPST, Normally Open, Momentary

FEATURES & BENEFITS

- LED Illumination
- Tape & Reel packaging
- Right angle design
- Gold or silver contact option
- Long or short cap options

PART NUMBER CONFIGURATOR

Series	Force	Color	Contact Plating	Cap Style	Cap Color
<input type="text" value="TL"/> <input type="text" value="1"/> <input type="text" value="2"/> <input type="text" value="7"/> <input type="text" value="0"/>	<input type="text" value="F"/> <input type="text" value="1"/> <input type="text" value="6"/> <input type="text" value="0"/>	<input type="text" value="BL"/> <input type="text" value="GY"/>	<input type="text" value="Q"/> <input type="text" value="R"/>	<input type="text" value="A"/> <input type="text" value="B"/>	<input type="text" value="T"/>
TL1270	F160 F250	BL - Blue GY - Green/Yellow bi-color RE - Red YE - Yellow WH - White	Q - Silver R - Gold	A - Short B - Long	T - Transparent

Specifications subject to change without notice



E-SWITCH®

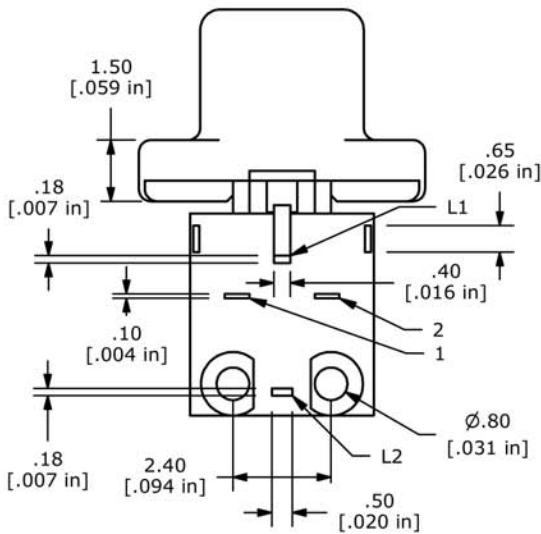
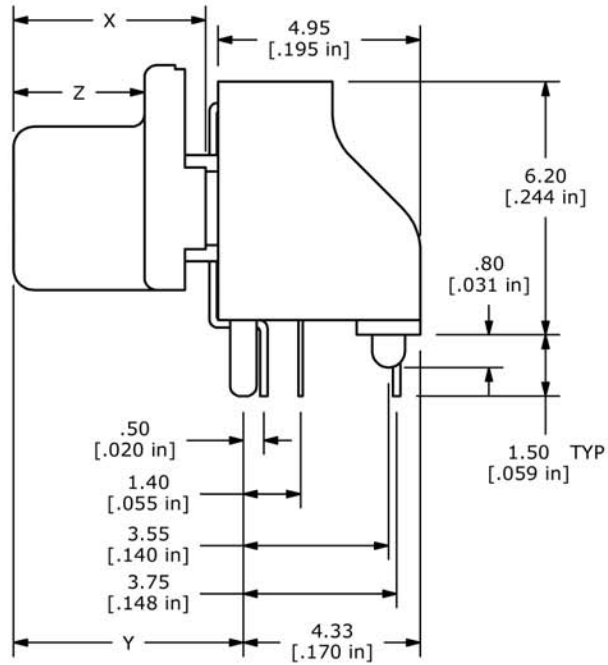
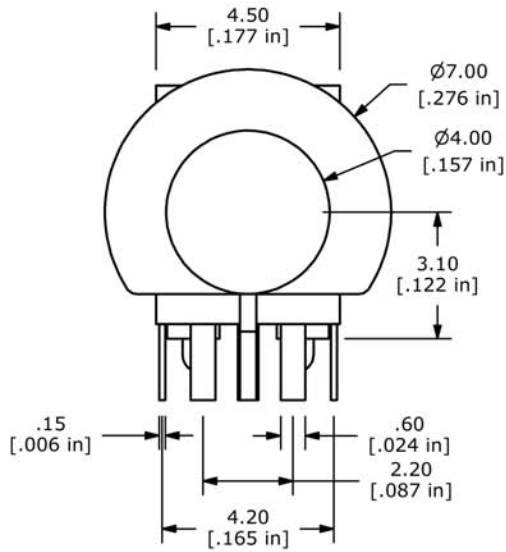
www.e-switch.com

800.867.2717

2

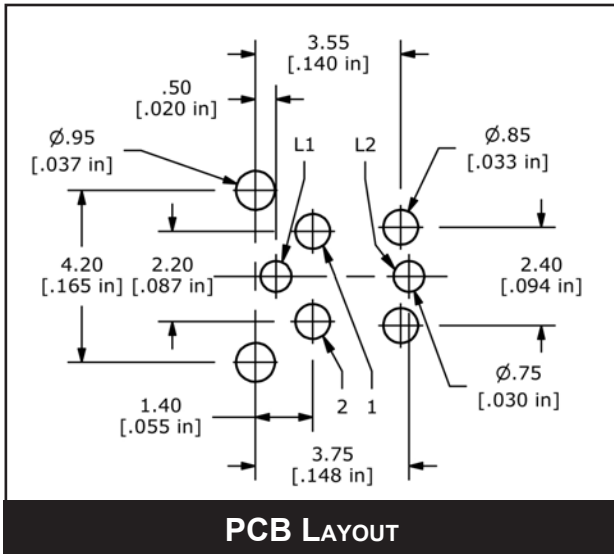
TL1270 SERIES TACT SWITCH

BODY DIMENSIONS

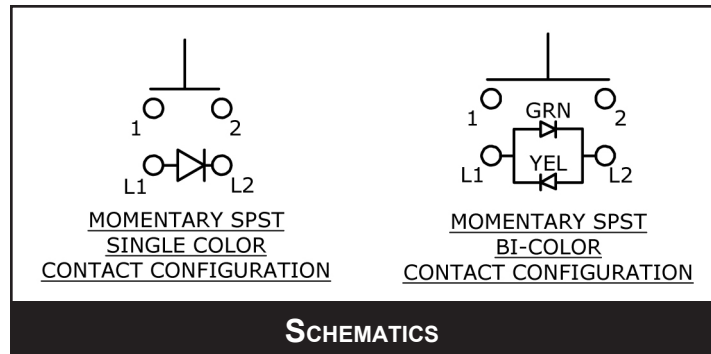


CAP Dimensions			
Cap Style	Dimension X	Dimension Y	Dimension Z
A	4.70 [.185 in]	5.62 [.221 in]	3.20 [.126 in]
B	5.70 [.224 in]	6.62 [.261 in]	4.20 [.165 in]

LED Specifications			
	Forward Current	Forward Voltage	Luminous Intensity
Blue	20mA	3.0V Typ - 3.6V Max	80 mcd Typ
Red	20mA	3.0V Typ - 3.6V Max	80 mcd Typ
Green	20mA	2.0V Typ - 2.3V Max	6 mcd Typ
Yellow	20mA	2.0V Typ - 2.3V Max	50 mcd Typ
White	20mA	3.0V Typ - 3.6V Max	350 mcd Typ



PCB LAYOUT



SCHEMATICS



ANTI-VANDAL SWITCHES
 DETECTOR SWITCHES
 DIP SWITCHES
 KEYLOCK SWITCHES
 NAVIGATION SWITCHES
 PUSHBUTTON SWITCHES
 ROCKER SWITCHES
 ROTARY SWITCHES
 SLIDE SWITCHES
 SNAP ACTION SWITCHES
 TACTILE SWITCHES
 TOGGLE SWITCHES
 CAP OPTIONS