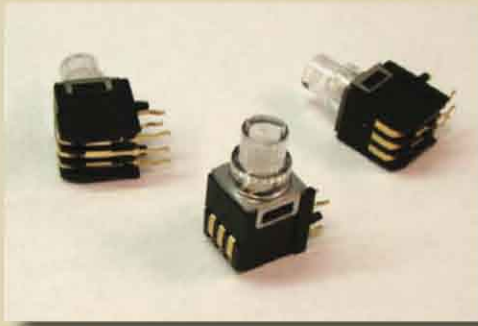


SERIES TL1290 SWITCHES



E-SWITCH®

TACT SWITCHES ILLUMINATED - RIGHT ANGLE



FEATURES & BENEFITS

Right Angle, through hole termination
Single color LED options available
Gold plated contacts for high reliability switching
Sharp, tactile response
Long travel

APPLICATIONS / MARKETS

Consumer Electronics
Audio/visual
Medical
Testing/Instrumentation
Telecommunications
Computer/Servers/Peripherals

MECHANICAL SPECIFICATIONS

Force: 400 +/- 125 gf
Travel: 1.0 +/- 0.2mm to Electrical Make
2.0 +/- 0.2mm Full Travel

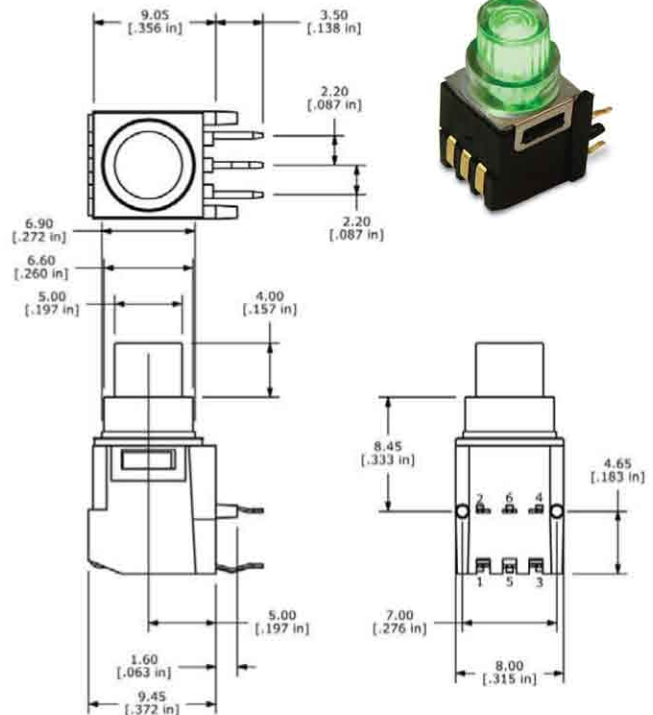
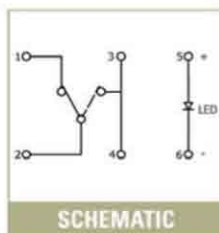
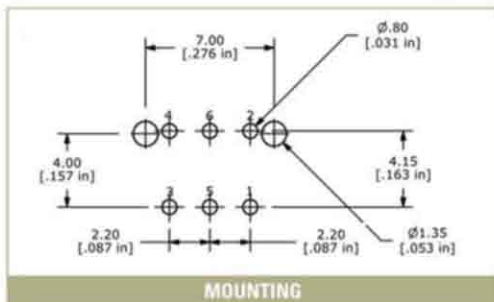
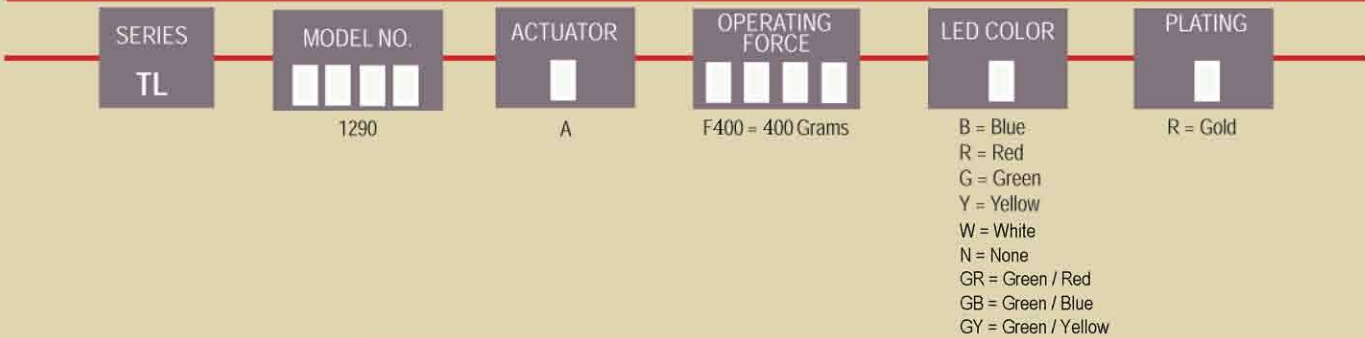
ELECTRICAL SPECIFICATIONS

Electrical Life: 50,000 cycles
Bounce: 5 mSeconds max
Contact Rating: 100mA @ 32VDC
Contact Resistance: 250mΩ (initial max)
Insulation Resistance: 100MΩ (Min @ 500VDC)
Dielectric Strength: 250VAC

ENVIRONMENTAL SPECIFICATIONS

Operating Temperature: -20°C to +70°C
Storage Temperature: -30°C to +80°C

HOW TO ORDER:



LED Specifications					
Color	Blue	Red	Green	Yellow	White
Forward Current (mA)	20mA	20mA	20mA	20mA	20mA
Forward Voltage @ 20mA	3.3 typ. - 4.0 max VDC	1.95 typ. - 2.5 max. VDC	2.1 typ. - 2.5 max. VDC	2.0 typ. - 2.5 max. VDC	3.2 typ. - 4.0 max VDC
Luminous Intensity @ 20mA	650 min - 1,300 typ mcd	380 min - 1,200 typ mcd	110 min - 370 typ mcd	180 min - 400 typ mcd	280 min - 1000 typ mcd

Bi-color LED Specifications			
Bi-color	Green / Red	Green / Blue	Green / Yellow
Forward Current (mA)	20mA	20mA	20mA
Forward Voltage @ 20mA	Grn 2.1 typ. - 2.5 max VDC Red 1.95 typ. - 2.5 max VDC	Grn 2.1 typ. - 2.5 max VDC Blu 3.2 typ. - 4.0 max VDC	Grn 2.1 typ. - 2.5 max VDC Yel 2.0 typ. - 2.5 max VDC
Luminous Intensity @ 20mA	Grn 10 min - 150 typ Red 280 min - 750 typ	Grn 18 min - 90 typ Blu 36 min - 180 typ	Grn 10 min - 150 typ Yel 180 min - 500 typ