

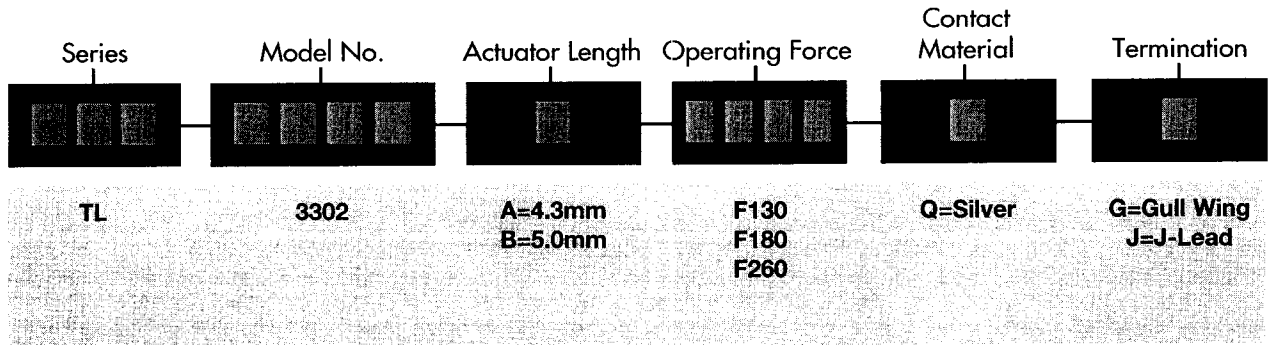
SPECIFICATIONS

Rating: 50mA @ 50 VDC
 Mechanical Life: 100,000 cycles typical
 Contact Resistance: 20mΩ max. initial @ 2-4 VDC
 100mA for both silver and gold plated contacts
 Insulation Resistance: 100MΩ min.
 Dielectric Strength: 1,000 Vrms at sea level
 Operating Force: 130 ± 50 gf, 180 ± 50 gf, 260 ± 50 gf

MATERIALS

Housing: Polyphenylene Sulfide (PPS)
 Actuator: Polyphenylene Sulfide (PPS)
 Bracket/Cover: Tin plated steel
 Contacts: Silver-clad phosphor bronze, gold over nickel over phosphor bronze
 Terminals: Silver-clad brass, gold over nickel over brass

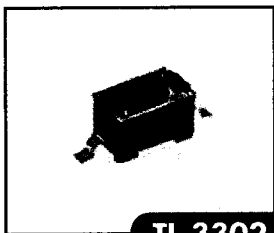
HOW TO ORDER



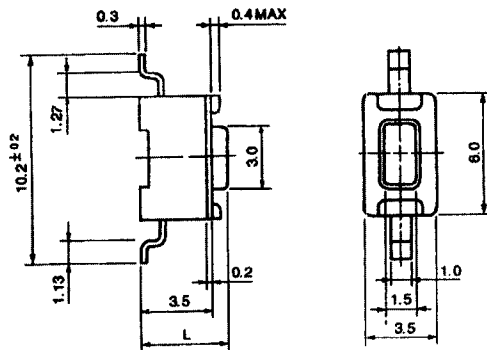
EXAMPLE

TL → 3302 → A → F180 → Q → G

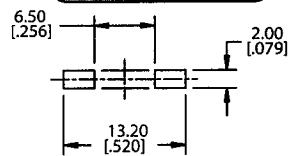
SPECIFICATIONS SUBJECT TO CHANGE WITHOUT NOTICE.



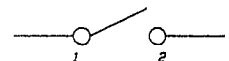
TL 3302
Gull Wing Termination



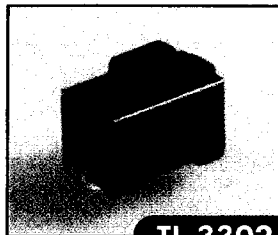
P.C. MOUNTING



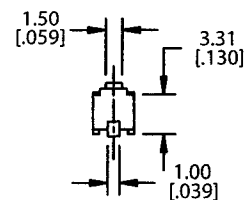
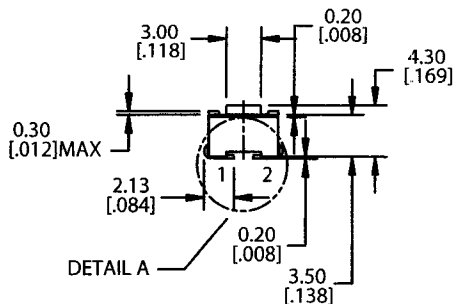
Schematic



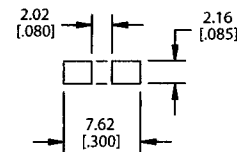
SURFACE MOUNT TACT SWITCHES



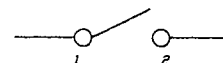
TL 3302
J-Lead Termination



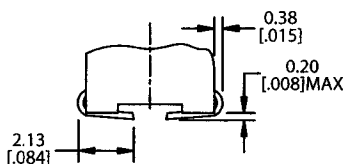
P.C. MOUNTING



Schematic



Detail A



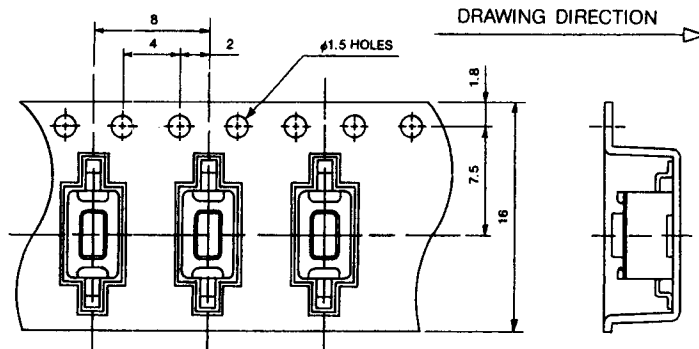
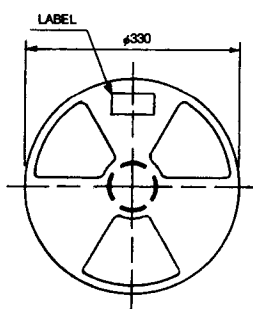
ACTUATOR OPTIONS

Actuator Length (L)
A = 4.3 mm
B = 5.0 mm

OPERATING FORCES

Operating Force
F130 = 130 ± 50gf
F180 = 180 ± 50gf
F260 = 260 ± 50gf

TL 3302 STANDARD REEL



SPECIFICATIONS SUBJECT TO CHANGE WITHOUT NOTICE.