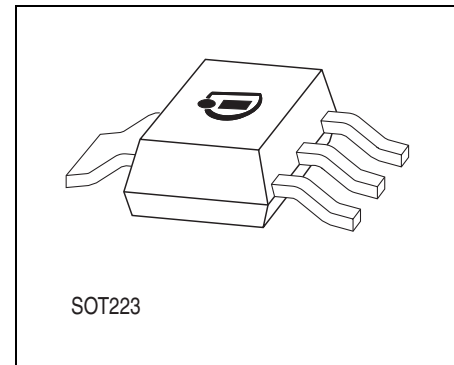




## Features

- Output voltage tolerance  $\leq \pm 2\%$
- Low-drop voltage
- Very low current consumption
- Overtemperature protection
- Short-circuit proof
- Suitable for use in automotive electronics
- Reverse polarity
- Green Product (RoHS compliant)
- AEC Qualified



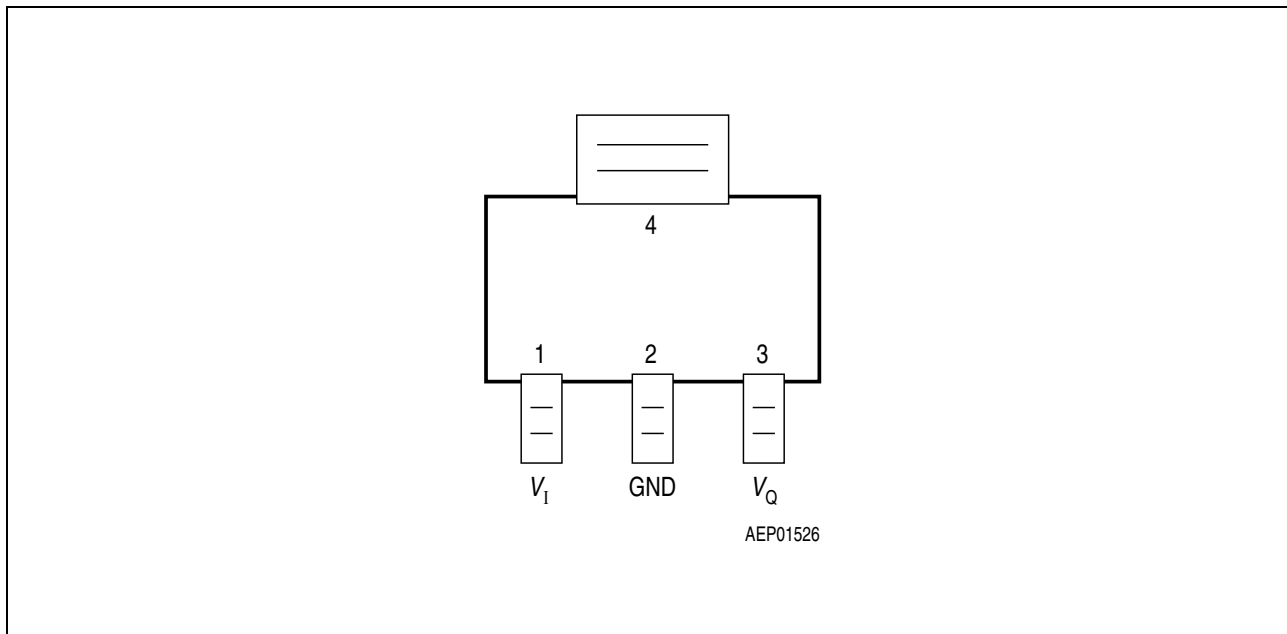
## Functional Description

TLE 4264 is a 5-V low-drop fixed-voltage regulator in an PG-SOT223-4 package. The IC regulates an input voltage  $V_I$  in the range  $5.5\text{ V} < V_I < 45\text{ V}$  to  $V_{Q_{rated}} = 5.0\text{ V}$ . The maximum output current is more than 120 mA. This IC is shortcircuit-proof and features temperature protection that disables the circuit at overtemperature.

## Dimensioning Information on External Components

The input capacitor  $C_i$  is necessary for compensating line influences. Using a resistor of approx.  $1\ \Omega$  in series with  $C_i$ , the oscillating of input inductivity and input capacitance can be damped. The output capacitor  $C_Q$  is necessary for the stability of the regulating circuit. Stability is guaranteed at values  $C_Q \geq 10\ \mu\text{F}$  and an  $\text{ESR} \leq 10\ \Omega$  within the operating temperature range.

Type	Package
TLE 4264 G	PG-SOT223-4



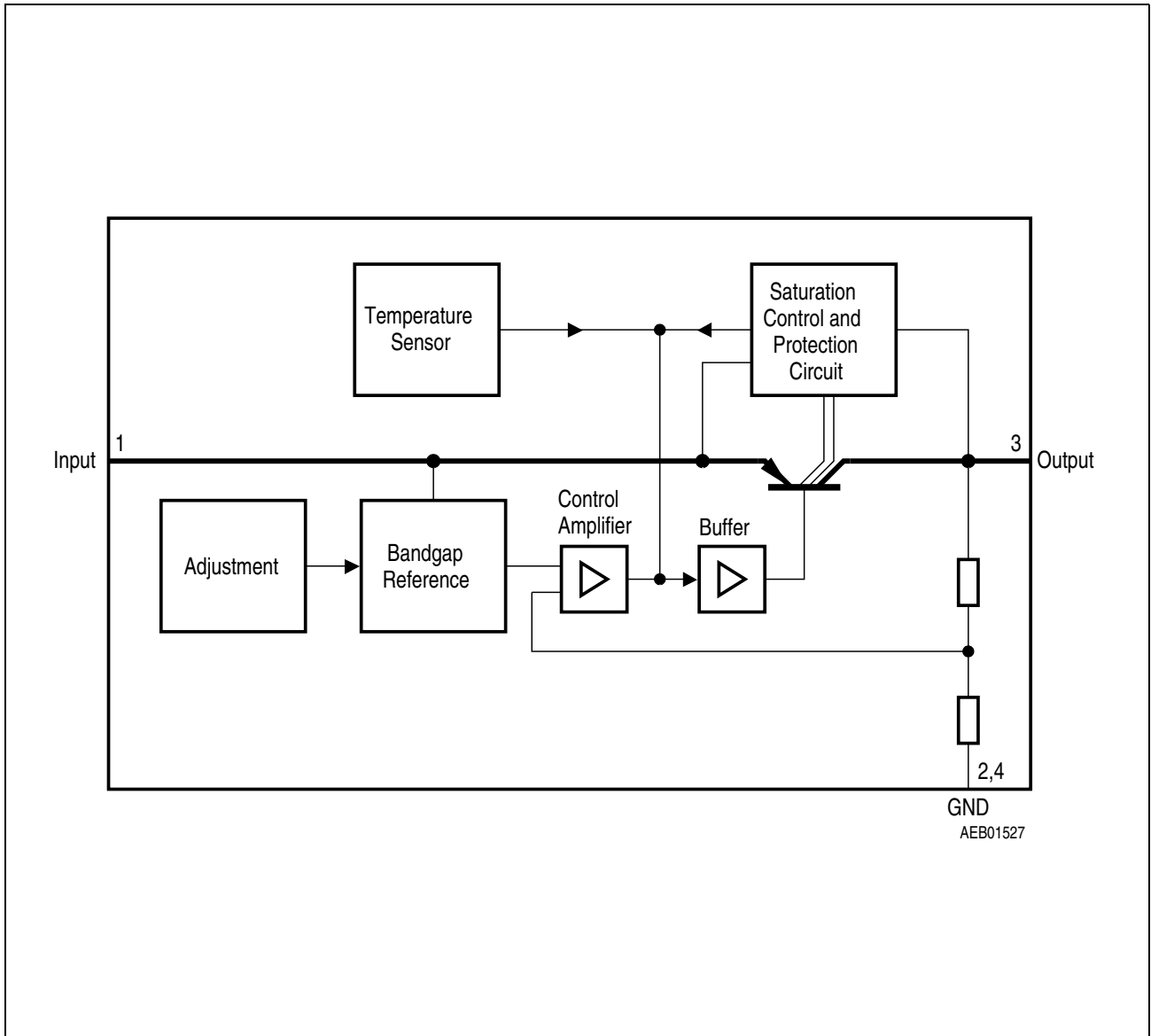
**Figure 1 Pin Configuration (top view)**

**Table 1 Pin Definitions and Functions**

Pin	Symbol	Function
1	$V_I$	<b>Input voltage;</b> block to ground directly on IC with ceramic capacitor
2, 4	GND	<b>Ground</b>
3	$V_Q$	<b>5-V output voltage;</b> block to ground with $\geq 10 \mu\text{F}$ capacitor, $\text{ESR} \leq 10 \Omega$

**Circuit Description**

The control amplifier compares a reference voltage, which is kept highly precise by resistance adjustment, to a voltage that is proportional to the output voltage and drives the base of the series transistor via a buffer. Saturation control, working as a function of load current, prevents any over-saturation of the power element. The IC is protected against overload, overtemperature and reverse polarity.



**Figure 2**      **Block Diagram**

**Table 2 Absolute Maximum Ratings**
 $T_j = -40$  to  $150$  °C

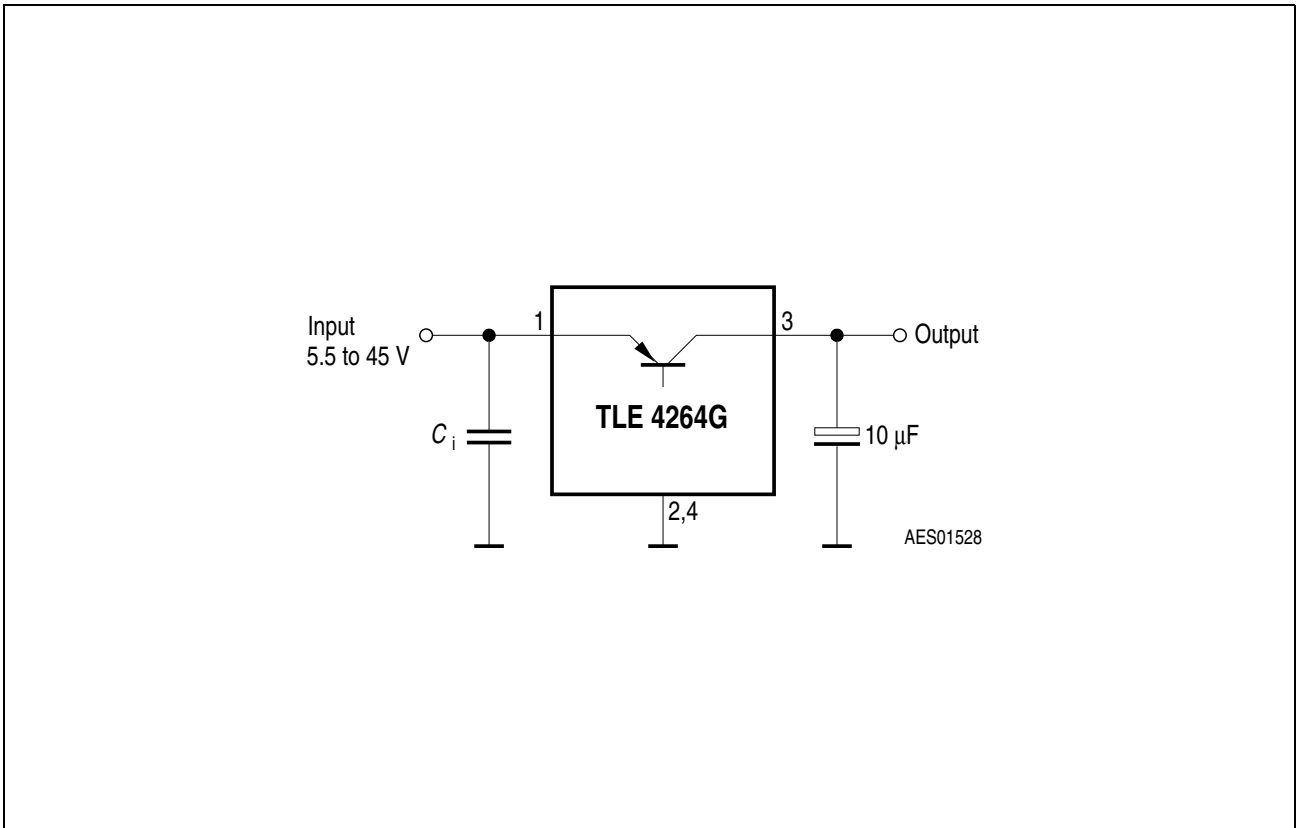
Parameter	Symbol	Limit Values		Unit	Notes
		Min.	Max.		
<b>Input</b>					
Input voltage	$V_I$	-42	45	V	–
Input current	$I_I$	–	–	–	limited internally
<b>Output</b>					
Output voltage	$V_Q$	-1	32	V	–
Output current	$I_Q$	–	–	–	limited internally
<b>Ground</b>					
Current	$I_{GND}$	50	–	mA	–
<b>Temperatures</b>					
Junction temperature	$T_j$	–	150	°C	–
Storage temperature	$T_{stg}$	-50	150	°C	–
<b>Operating Range</b>					
Input voltage	$V_I$	5.5	45	V	–
Junction temperature	$T_j$	-40	150	°C	–
<b>Thermal Resistances</b>					
Junction-ambient	$R_{thj-a}$	–	85	K/W	1)
Junction-pin4	$R_{thj-pin4}$	–	20	K/W	–

1) Worst case, regarding peak temperature; zero airflow; mounted on a PCB  $80 \times 80 \times 1.5$  mm<sup>3</sup>, heat sink area 300 mm<sup>2</sup>.

**Table 3 Characteristics**
 $V_I = 13.5\text{ V}; -40\text{ °C} \leq T_j \leq 125\text{ °C}$ , unless specified otherwise

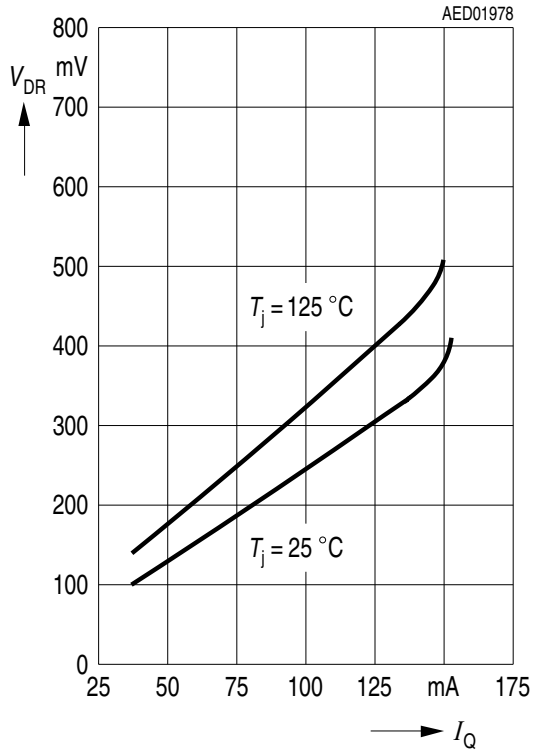
Parameter	Symbol	Limit Values			Unit	Test Conditions
		Min.	Typ.	Max.		
Output voltage	$V_Q$	4.9	5.0	5.1	V	$5\text{ mA} \leq I_Q \leq 100\text{ mA}$ $6\text{ V} \leq V_I \leq 28\text{ V}$
Output-current limiting	$I_Q$	120	160	–	mA	–
Current consumption $I_q = I_I - I_Q$	$I_q$	–	–	400	$\mu\text{A}$	$I_Q = 1\text{ mA}$
Current consumption $I_q = I_I - I_Q$	$I_q$	–	9	15	mA	$I_Q = 100\text{ mA}$
Drop voltage	$V_{dr}$	–	0.25	0.5	V	$I_Q = 100\text{ mA}^{1)}$
Load regulation	$\Delta V_Q$	–	–	40	mV	$I_Q = 5\text{ to }100\text{ mA}$ $V_I = 6\text{ V}$
Supply-voltage regulation	$\Delta V_Q$	–	15	30	mV	$V_I = 6\text{ to }28\text{ V}$ $I_Q = 5\text{ mA}$
Power Supply ripple rejection	$PSRR$	–	54	–	dB	$f_r = 100\text{ Hz}$ $V_r = 0.5\text{ Vpp}$

1) Drop voltage =  $V_I - V_Q$  (measured where  $V_Q$  has dropped 100 mV from the nominal value obtained at  $V_I = 13.5\text{ V}$ ).

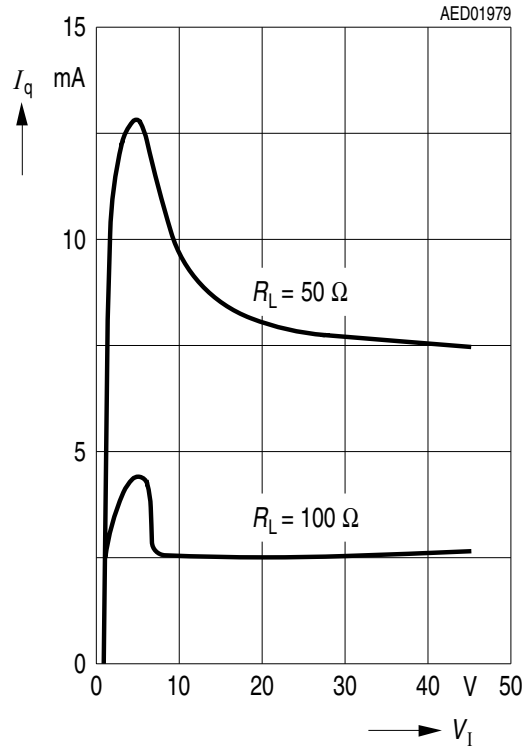


**Figure 3 Application Circuit**

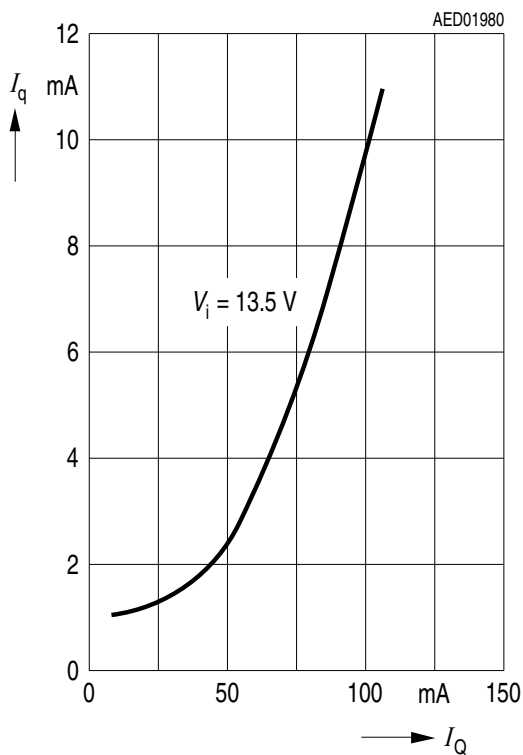
**Drop Voltage  $V_{DR}$  versus Output Current  $I_Q$**



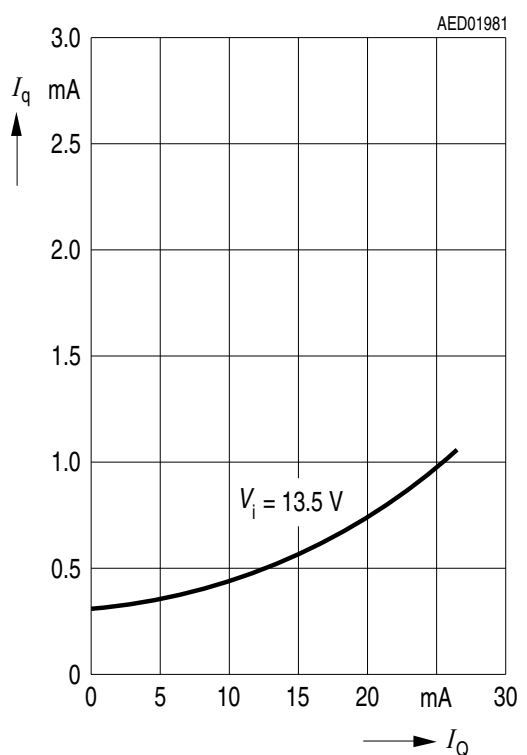
**Current Consumption  $I_q$  versus Input Voltage  $V_i$**



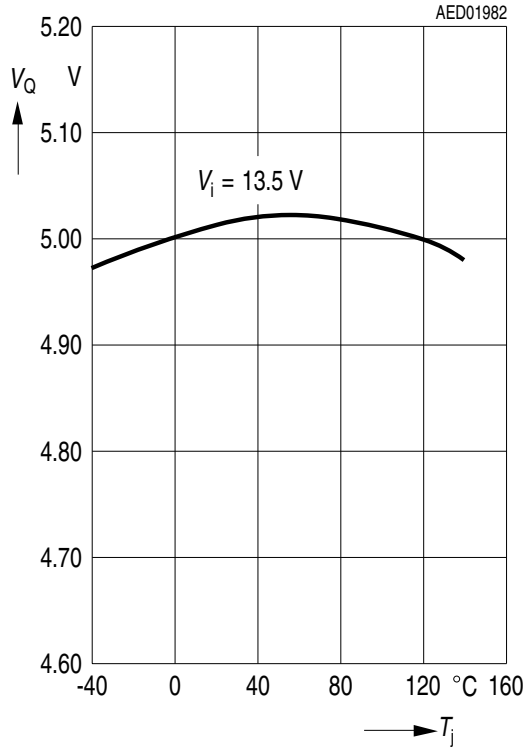
**Current Consumption  $I_q$  versus Output Current  $I_Q$**



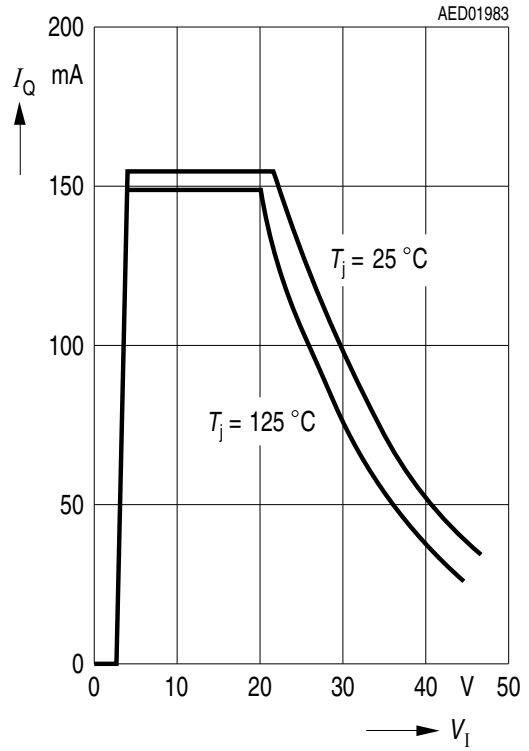
**Current Consumption  $I_q$  versus Output Current  $I_Q$**



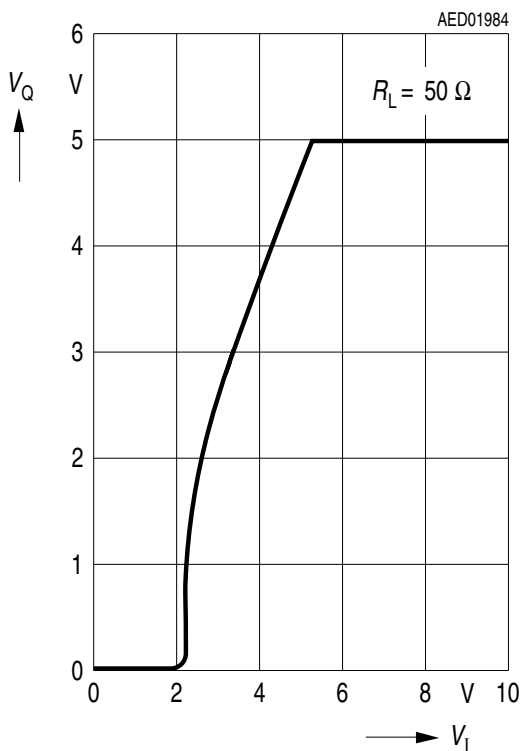
**Output Voltage  $V_Q$  versus Temperature  $T_j$**



**Output Current  $I_Q$  versus Input Voltage  $V_i$**



**Output Voltage  $V_Q$  versus Input Voltage  $V_i$**





Package Outlines

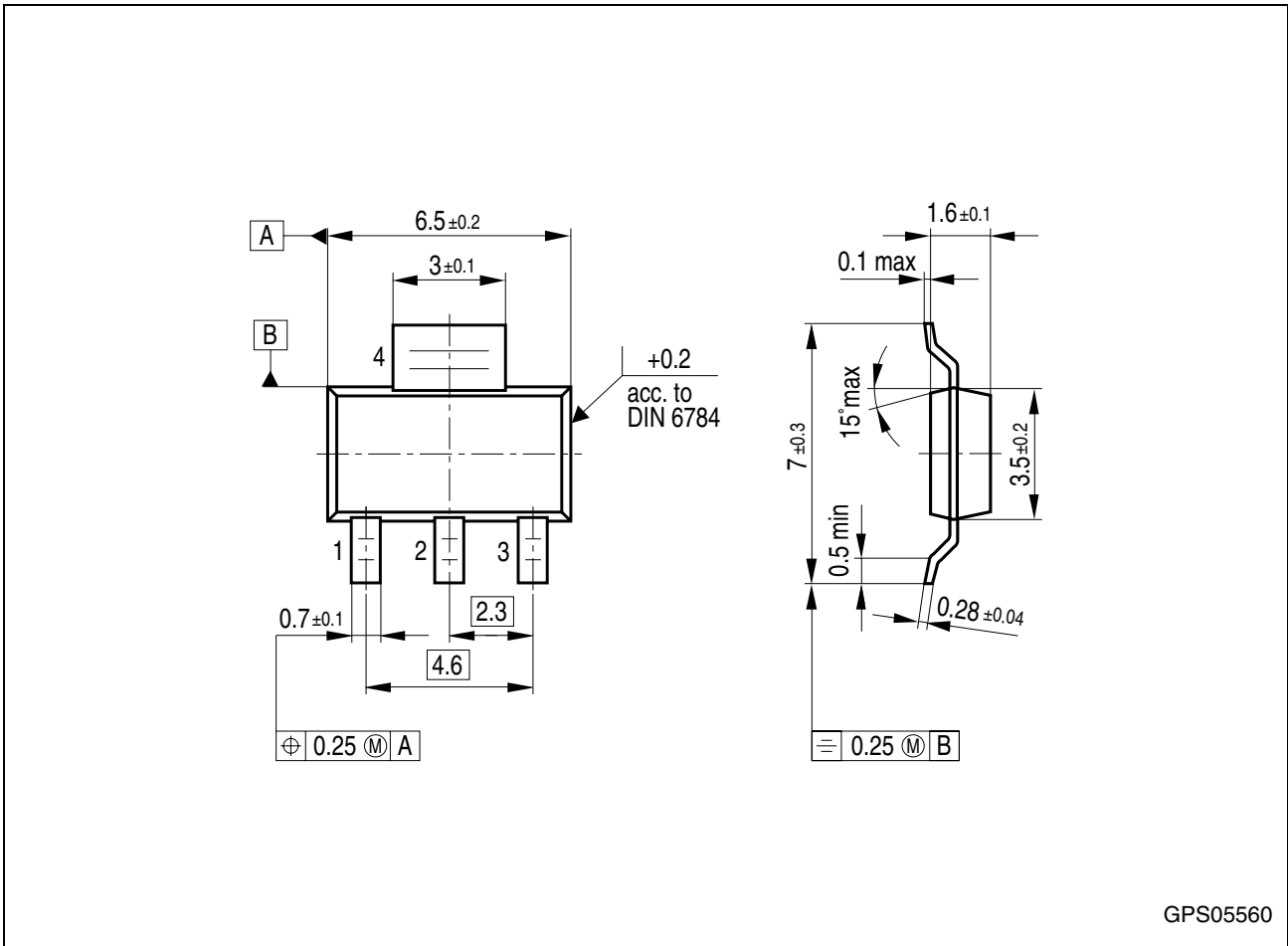


Figure 4 PG-SOT223-4 (Plastic Small Outline Transistor)

Green Product (RoHS compliant)

To meet the world-wide customer requirements for environmentally friendly products and to be compliant with government regulations the device is available as a green product. Green products are RoHS-Compliant (i.e Pb-free finish on leads and suitable for Pb-free soldering according to IPC/JEDEC J-STD-020).

You can find all of our packages, sorts of packing and others in our Infineon Internet Page "Products": <http://www.infineon.com/products>.

SMD = Surface Mounted Device

Dimensions in mm

---

**Revision History**

<b>Version</b>	<b>Date</b>	<b>Changes</b>
Rev. 2.3	2008-03-07	Simplified package name to PG-SOT223-4. No modification of released product.
Rev. 2.2	2007-03-20	Initial version of RoHS-compliant derivate of TLE 4264 <b>Page 1</b> : AEC certified statement added <b>Page 1</b> and <b>Page 9</b> : RoHS compliance statement and Green product feature added <b>Page 1</b> and <b>Page 9</b> : Package changed to RoHS compliant version Legal Disclaimer updated

**Edition 2008-03-07**

**Published by  
Infineon Technologies AG  
81726 Munich, Germany**

**© 2008 Infineon Technologies AG  
All Rights Reserved.**

### **Legal Disclaimer**

The information given in this document shall in no event be regarded as a guarantee of conditions or characteristics. With respect to any examples or hints given herein, any typical values stated herein and/or any information regarding the application of the device, Infineon Technologies hereby disclaims any and all warranties and liabilities of any kind, including without limitation, warranties of non-infringement of intellectual property rights of any third party.

### **Information**

For further information on technology, delivery terms and conditions and prices, please contact the nearest Infineon Technologies Office ([www.infineon.com](http://www.infineon.com)).

### **Warnings**

Due to technical requirements, components may contain dangerous substances. For information on the types in question, please contact the nearest Infineon Technologies Office.

Infineon Technologies components may be used in life-support devices or systems only with the express written approval of Infineon Technologies, if a failure of such components can reasonably be expected to cause the failure of that life-support device or system or to affect the safety or effectiveness of that device or system. Life support devices or systems are intended to be implanted in the human body or to support and/or maintain and sustain and/or protect human life. If they fail, it is reasonable to assume that the health of the user or other persons may be endangered.