



TLIU04C1 Quad T1/E1 Line Interface

Features

- Selectable microprocessor or direct logic control modes.
- Quad T1/E1 line interface.
- Hardware and software reset options.
- 3-state outputs.
- 0.35 μm CMOS technology.
- Compliant with:

AT&T

CB119 (10/79)

Bellcore

TR-54016 (89)

TR-TSY-000170 (10/97)

TR-TSY-000009 (5/86)

GR-499-CORE (12/95)

GR-253-CORE (12/95)

ANSI

T1.102 (93)

T1.231 (93)

T1.403 (95)

ITU-T

G.703 (88)

G.704 (91)

G.706 (91)

G.732 (88)

G.735-9 (88)

G.775 (11/94)

G.823-4 (3/93)

G.826 (11/93)

I.431 (3/93)

ETSI

TBR 12 (12/93)

TBR 13 (1/96)

- $-40\text{ }^{\circ}\text{C}$ to $+85\text{ }^{\circ}\text{C}$ operating temperature range.
- Fine-pitch (12.5 mil) surface-mount package, 144-pin TQFP.

- Transmitter includes transmit encoder (B8ZS or HDB3), pulse shaping, and line driver.
- Five pulse equalization settings for template compliance at DSX cross connect.
- Receive includes equalization, digital clock and data recovery (immune to false lock), and receive decoder (B8ZS or HDB3).
- CEPT/E1 interference immunity as required by G.703.
- Transmit jitter <0.02 UI.
- Receive generated jitter <0.05 UI.
- Jitter attenuator selectable for use in transmit or receive path. Jitter attenuation characteristics are data pattern independent.
- For use with 100 Ω DS1 twisted-pair, 120 Ω E1 twisted-pair, and 75 Ω E1 coaxial cable.
- Common part available for transmit/receive transformers.
- Analog LOS alarm for signals less than -18 dB for greater than 1 ms or 10 bit symbol periods to 255 bit symbol periods (selectable).
- Digital LOS alarm for 100 zeros (DS1) or 255 zeros (CEPT).
- Diagnostic loopback modes.
- Low power consumption.

Applications

- T1/E1 network performance monitoring
- SONET/SDH multiplexers
- Asynchronous multiplexers (M13)
- Digital access cross connects (DACs)
- Channel banks
- Digital radio base stations, remote wireless modules
- PBX interface

Table of Contents

Contents	Page
Features	1
Applications	1
Description.....	8
Microprocessor Mode	8
Overview	8
Pin Information	9
System Interface Pin Options.....	14
Microprocessor Configuration Modes.....	14
Microprocessor Interface Pinout Definitions.....	15
Microprocessor Clock (MPCLK) Specifications.....	16
Internal Chip Select Function	16
Microprocessor Interface Register Architecture	17
Block Diagrams	18
Data Recovery.....	20
Jitter Accommodation and Jitter Transfer Without the Jitter Attenuator	20
Receiver Configuration Modes.....	20
Clock/Data Recovery Mode (CDR)	20
Zero Substitution Decoding (CODE).....	20
Alternate Logic Mode (ALM)	21
Alternate Clock Mode (ACM)	21
RLIU Alarms.....	21
DS1 Receiver Specifications	23
Frequency Response Curves	24
CEPT Receiver Specifications	26
Frequency Response Curves	27
Output Pulse Generation.....	29
Jitter.....	29
Zero Substitution Encoding (CODE)	30
Alarm Indication Signal Generator (XAIS)	30
Transmitter Alarms.....	30
Loss of Transmit Clock (LOTCL) Alarm	30
Transmit Driver Monitor (TDM) Alarm.....	30
DS1 Transmitter Pulse Template and Specifications	31
CEPT Transmitter Pulse Template and Specifications	33
Jitter Attenuator.....	34
Generated (Intrinsic) Jitter	34
Jitter Transfer Function	35
Jitter Accommodation	35
Jitter Attenuator Enable	36
Jitter Attenuator Receive Path Enable (JAR).....	36
Jitter Attenuator Transmit Path Enable (JAT)	36
Frequency Response Curves	37
Loopbacks.....	41
Full Local Loopback (FLLOOP)	41
Remote Loopback (RLOOP).....	41
Digital Local Loopback (DLLOOP).....	41
Powerdown (PWRDN).....	42
Reset (RESET, SWRESET).....	42

Table of Contents (continued)

Contents	Page
Loss of XCLK Reference Clock (LOXC).....	42
In-Circuit Testing and Driver High-Impedance State (\overline{ICT}).....	42
LIU Delay Values.....	42
Line Encoding/Decoding	43
Alternate Mark Inversion (AMI)	43
T1-Binary 8 Zero Code Suppression (B8ZS)	43
High-Density Bipolar of Order 3 (HDB3)	43
Registers	44
Alarm Registers (0000, 0001)	44
Alarm Mask Registers (0010, 0011).....	45
Global Control Registers (0100, 0101).....	45
Channel Configuration and Control Registers (0110—1001, 1011, 1100).....	46
XCLK Reference Clock	48
16x XCLK Reference Clock	48
Primary Line Rate XCLK Reference Clock and Internal Reference Clock Synthesizer	49
Power Supply Bypassing.....	49
Line Circuitry	50
Absolute Maximum Ratings.....	51
Handling Precautions	51
Operating Conditions.....	51
Power Requirements.....	52
Electrical Characteristics	52
Microprocessor Interface Timing.....	53
Data Interface Timing.....	59
Direct Logic Control Mode	60
Overview	60
Device Overview	60
Pin Information	61
System Interface Pin Options.....	66
Block Diagrams	67
Data Recovery.....	69
Jitter Accommodation and Jitter Transfer Without the Jitter Attenuator	69
Receiver Configuration Modes.....	69
Clock/Data Recovery Mode (CDR)	69
Zero Substitution Decoding (CODE).....	69
Alternate Logic Mode (ALM)	69
Alternate Clock Mode (ACM)	69
RLIU Alarms.....	70
DS1 Receiver Specifications	72
Frequency Response Curves.....	73
CEPT Receiver Specifications	75
Frequency Response Curves.....	76
Output Pulse Generation.....	78
Jitter.....	78
Transmitter Configuration Modes	79
Zero Substitution Encoding (CODE)	79
Alarm Indication Signal Generator (XAIS).....	79
Loss of Transmit Clock (LOTCL) Alarm	79
Transmit Driver Monitor (TDM) Alarm	79

Table of Contents (continued)

Contents	Page
DS1 Transmitter Pulse Template	80
CEPT Transmitter Pulse Template.....	81
Jitter Attenuator.....	82
Generated (Intrinsic) Jitter	82
Jitter Transfer Function	83
Jitter Accommodation	83
Jitter Attenuator Enable	84
Jitter Attenuator Receive Path Enable (JAR).....	84
Jitter Attenuator Transmit Path Enable (JAT)	84
Frequency Response Curves	85
Loopbacks.....	89
Full Local Loopback (FLLOOP)	89
Remote Loopback (RLOOP).....	89
Digital Local Loopback (DLLOOP).....	89
Powerdown (PWRDN).....	89
Reset (RESET).....	89
Loss of XCLK Reference Clock (LOXC).....	89
In-Circuit Testing and Driver High-Impedance State (ICT).....	89
LIU Delay Values.....	89
Line Encoding/Decoding	90
Alternate Mark Inversion (AMI)	90
T1-Binary 8 Zero Code Suppression	90
High-Density Bipolar of Order 3 (HDB3)	90
XCLK Reference Clock	91
16x XCLK Reference Clock	91
Primary Line Rate XCLK Reference Clock and Internal Reference Clock Synthesizer	92
Power Supply Bypassing.....	93
Line Circuitry	94
Absolute Maximum Ratings.....	95
Handling Precautions	95
Operating Conditions.....	95
Power Requirements.....	96
Electrical Characteristics.....	96
Data Interface Timing.....	97
Outline Diagram.....	98
144-Pin TQFP	98
Ordering Information.....	99

List of Figures

Figures	Page
Figure 1. TLIU04C1 Microprocessor Mode Pin Diagram.....	9
Figure 2. TLIU04C1 Block Diagram, CMODE = 1 (Microprocessor Mode)	18
Figure 3. Block Diagram of the Quad Line Interface Unit (Single Channel)	19
Figure 4. DS1/T1 Receiver Jitter Accommodation Without Jitter Attenuator	24
Figure 5. DS1/T1 Receiver Jitter Transfer Without Jitter Attenuator	25
Figure 6. CEPT/E1 Receiver Jitter Accommodation Without Jitter Attenuator	27
Figure 7. CEPT/E1 Receiver Jitter Transfer Without Jitter Attenuator	28
Figure 8. DSX-1 Isolated Pulse Template	31
Figure 9. ITU-T G.703 Pulse Template	33
Figure 10. DS1/T1 Receiver Jitter Accommodation with Jitter Attenuator.....	37
Figure 11. DS1/T1 Jitter Transfer of the Jitter Attenuator.....	38
Figure 12. CEPT/E1 Receiver Jitter Accommodation with Jitter Attenuator	39
Figure 13. CEPT/E1 Jitter Transfer of the Jitter Attenuator.....	40
Figure 14. Line Termination Circuitry	50
Figure 15. Mode 1—Read Cycle Timing (MPMODE = 0, MPMUX = 0)	55
Figure 16. Mode 1—Write Cycle Timing (MPMODE = 0, MPMUX = 0)	55
Figure 17. Mode 2—Read Cycle Timing (MPMODE = 0, MPMUX = 1)	56
Figure 18. Mode 2—Write Cycle Timing (MPMODE = 0, MPMUX = 1)	56
Figure 19. Mode 3—Read Cycle Timing (MPMODE = 1, MPMUX = 0)	57
Figure 20. Mode 3—Write Cycle Timing (MPMODE = 1, MPMUX = 0)	57
Figure 21. Mode 4—Read Cycle Timing (MPMODE = 1, MPMUX = 1)	58
Figure 22. Mode 4—Write Cycle Timing (MPMODE = 1, MPMUX = 1)	58
Figure 23. Interface Data Timing (ACM = 0).....	59
Figure 24. TLIU04C1 Direct Logic Control Mode Pin Diagram.....	61
Figure 25. TLIU04C1 Block Diagram, CMODE = 0 (Direct Logic Mode).....	67
Figure 26. Block Diagram of the Quad Line Interface Unit (Single Channel)	68
Figure 27. DS1/T1 Receiver Jitter Accommodation Without Jitter Attenuator	73
Figure 28. DS1/T1 Receiver Jitter Transfer Without Jitter Attenuator	74
Figure 29. CEPT/E1 Receiver Jitter Accommodation Without Jitter Attenuator	76
Figure 30. CEPT/E1 Receiver Jitter Transfer Without Jitter Attenuator	77
Figure 31. DSX-1 Isolated Pulse Template	80
Figure 32. ITU-T G.703 Pulse Template	81
Figure 33. DS1/T1 Receiver Jitter Accommodation with Jitter Attenuator.....	85
Figure 34. DS1/T1 Jitter Transfer of the Jitter Attenuator.....	86
Figure 35. CEPT/E1 Receiver Jitter Accommodation with Jitter Attenuator	87
Figure 36. CEPT/E1 Jitter Transfer of the Jitter Attenuator.....	88
Figure 37. Line Termination Circuitry	94
Figure 38. Interface Data Timing (ACM = 0).....	97

List of Tables

Tables	Page
Table 1. Pin Descriptions.....	10
Table 2. System Interface Pin Mapping.....	14
Table 3. Microprocessor Configuration Modes.....	14
Table 4. MODE [1—4] Microprocessor Pin Definitions.....	15
Table 5. Microprocessor Input Clock Specifications.....	16
Table 6. LIU Register Bank	17
Table 7. Register Map for CODE Bits.....	20
Table 8. Digital Loss of Signal Standard Select	22
Table 9. LOSSD and RCVAIS Control Configurations (Not Valid During Loopback Modes)	22
Table 10. DS1 RLIU Specifications	23
Table 11. CEPT RLIU Specifications.....	26
Table 12. Equalizer/Rate Control	29
Table 13. Register Map for CODE Bits.....	30
Table 14. DSX-1 Pulse Template Corner Points (from CB119)	31
Table 15. DS1 Transmitter Specifications	32
Table 16. CEPT Transmitter Specifications.....	34
Table 17. Loopback Control	41
Table 18. AMI Encoding	43
Table 19. DS1 B8ZS Encoding.....	43
Table 20. ITU HDB3 Coding and DCPAT Binary Coding	43
Table 21. Alarm Registers	44
Table 22. Alarm Mask Registers	45
Table 23. Global Control Register (0100).....	45
Table 24. Global Control Register (0101).....	46
Table 25. Channel Configuration Registers (0110—1001).....	46
Table 26. Channel Configuration Register (1011)	47
Table 27. Control Register (1100)	47
Table 28. XCLK (16x, CLKS = 0) Timing Specifications	48
Table 29. XCLK (1x, CLKS = 1) Timing Specifications	49
Table 30. Termination Components by Application.....	50
Table 31. Absolute Maximum Ratings.....	51
Table 32. ESD Threshold Voltage.....	51
Table 33. Recommended Operating Conditions	51
Table 34. Power Consumption	52
Table 35. Power Dissipation.....	52
Table 36. Logic Interface Characteristics	52
Table 37. Microprocessor Interface I/O Timing Specifications	53
Table 38. Data Interface Timing	59
Table 39. Pin Descriptions.....	62
Table 40. System Interface Pin Mapping.....	66
Table 41. Digital Loss of Signal Standard Select	70
Table 42. LOSSD and RCVAIS Control Configurations (Not Valid During Loopback Modes)	71
Table 43. DS1 RLIU Specifications	72
Table 44. CEPT RLIU Specifications.....	75
Table 45. Equalizer/Rate Control	78
Table 46. DSX-1 Pulse Template Corner Points (from CB119)	80
Table 47. DS1 Transmitter Specifications	80
Table 48. CEPT Transmitter Specifications.....	82
Table 49. AMI Encoding	90
Table 50. DS1 B8ZS Encoding.....	90

List of Tables (continued)

Tables	Page
Table 51. ITU HDB3 Coding and DCPAT Binary Coding	90
Table 52. XCLK (16x, CLKS = 0) Timing Specifications.....	91
Table 53. XCLK (1x, CLKS = 1) Timing Specifications.....	92
Table 54. XCLK Specifications	92
Table 55. Termination Components by Application.....	94
Table 56. Absolute Maximum Ratings	95
Table 57. ESD Threshold Voltage	95
Table 58. Recommended Operating Conditions	95
Table 59. Power Consumption	96
Table 60. Power Dissipation	96
Table 61. Logic Interface Characteristics	96
Table 62. Data Interface Timing	97

Description

The TLIU04C1 is a quad line interface containing four line transmit and receive channels for use in both North American (T1/DS1) and European (E1/CEPT) applications. The line interface unit has the same functions as the Lucent T7698.

The device can operate in either of two modes, chosen by the logic state of a control pin. A direct logic control mode provides the ability to define the architecture, initiate loopbacks, and monitor alarms without connecting to a microprocessor by setting the logic levels on control pins. The microprocessor mode uses a parallel microprocessor interface to allow the user to configure the device. The interface is compatible with many commercially available microprocessors. The block diagrams of the microprocessor and direct logic modes are shown in Figure 2 and Figure 25, respectively.

The block diagram of the line interface unit is shown in Figure 3 on page 19 (it is repeated as Figure 26). The line receiver performs clock and data recovery using a fully integrated digital phase-locked loop. This digital implementation prevents false lock conditions that are common when recovering sparse data patterns with analog phase-locked loops.

Equalization circuitry in the receiver provides a high level of interference immunity. As an option, the raw sliced data (no retiming) can be output on the receive data pins. Transmit equalization is implemented with low-impedance output drivers that provide shaped waveforms to the transformer, guaranteeing template conformance. The quad device will interface to the digital cross connect (DSX) at lengths of up to 655 ft. for DS1 operation or to line impedances of 75 Ω or 120 Ω for CEPT operation.

A selectable jitter attenuator may be placed in the receive signal path for low-bandwidth line-synchronous applications, or it may be placed in the transmit path for multiplexer applications where DS1/CEPT signals are demultiplexed from higher rate signals. The jitter attenuator will perform the clock smoothing required on the resulting demultiplexed gapped clock.

Microprocessor Mode

Overview

The TLIU04C1 device has the ability to operate in either a microprocessor mode or a direct logic control mode. The CMODE pin is used to determine the operating mode. To configure the device for microprocessor mode, the CMODE pin is pulled high.

The device is equipped with a microprocessor interface that can operate with most commercially available microprocessors. Inputs MPMUX and MPMODE (pins 108 and 110) are used to configure this interface into one of four possible modes, as shown in Table 3. The MPMUX setting selects either a multiplexed 8-bit address/data bus (AD[7:0]) or a demultiplexed 4-bit address bus (A[3:0]) and an 8-bit data bus (AD[7:0]). The MPMODE setting selects the associated set of control signals required to access a set of registers within the device.

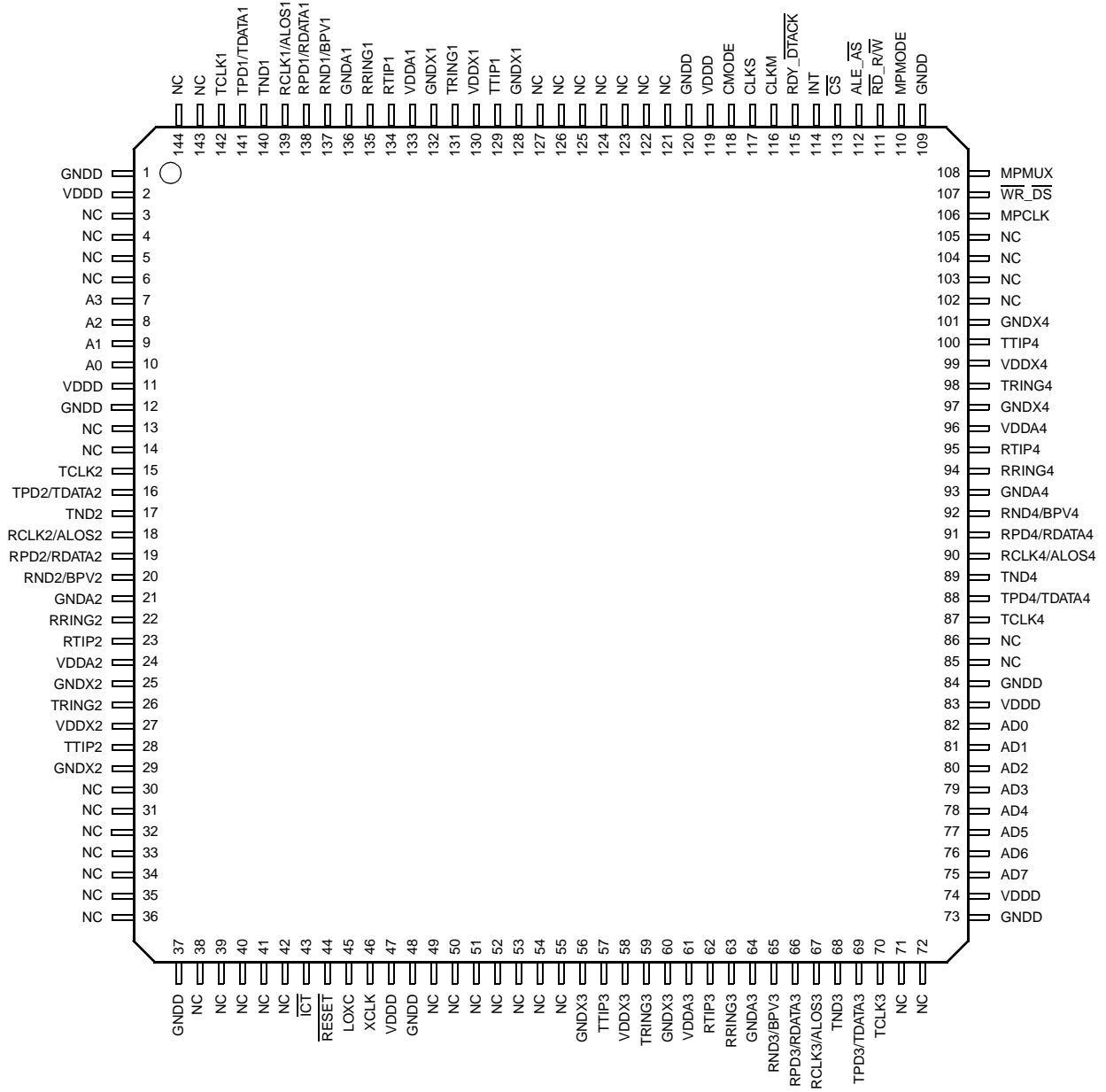
When the microprocessor interface is configured to operate in the multiplexed address/data bus modes (MPMUX = 1), the user has access to an internal chip select function that allows the microprocessor to selectively read/write a specific TLIU04C1 in a multiple TLIU04C1 environment (see the Internal Chip Select Function section, page 16).

The microprocessor interface can operate at speeds up to 16.384 MHz in interrupt-driven or polled mode without requiring any wait-states. For microprocessors operating at greater than 16.384 MHz, the RDY_DTACK output is used to introduce wait-states in the read/write cycles.

In the interrupt-driven mode, one or more device alarms will assert the active-high INT output (pin 114) once per alarm activation. After the microprocessor reads the alarm status registers, the INT output will deassert. In the polled mode, however, the microprocessor monitors the various device alarm status by periodically reading the alarm status registers without the use of INT. A variety of LIU mask controls are available for control of the INT pin.

Microprocessor Mode (continued)

Pin Information



5-7728(F).a

Figure 1. TLIU04C1 Microprocessor Mode Pin Diagram

Microprocessor Mode (continued)

Pin Information (continued)

Table 1. Pin Descriptions

Pin	Symbol	Type*	Name/Description
117	CLKS	I ^d	XCLK Select. This pin selects either a 16x rate clock for XCLK (CLKS = 0) or a primary line rate clock for XCLK (CLKS = 1).
116	CLKM	I ^d	XCLK Mode. This pin must be set appropriately when using a primary line rate clock for XCLK. CEPT: CLKM = 1. DS1: CLKM = 0.
118	CMODE	I ^d	Chip Mode. This pin sets the chip mode for either direct logic mode or microprocessor mode. Microprocessor: CMODE = 1. Direct Logic: CMODE = 0.
128, 132, 25, 29, 56, 60, 97, 101	GNDx[1—4]	P	Ground Reference for Line Drivers.
129, 28, 57, 100	TTIP[1—4]	O	Transmit Bipolar Tip. Positive bipolar transmit data to the analog line interface.
130, 27, 58, 99	VDDx[1—4]	P	Power Supply for Line Drivers. The TLIU04C1 device requires a 5 V ± 5% power supply on these pins.
131, 26, 59, 98	TRING[1—4]	O	Transmit Bipolar Ring. Negative bipolar transmit data to the analog line interface.
133, 24, 61, 96	VDDA[1—4]	P	Power Supply for Analog Circuitry. The TLIU04C1 device requires a 5 V ± 5% power supply on these pins.
134, 23, 62, 95	RTIP[1—4]	I	Receive Bipolar Tip. Positive bipolar receive data from the analog line interface.
135, 22, 63, 94	RRING[1—4]	I	Receive Bipolar Ring. Negative bipolar receive data from the analog line interface.
136, 21, 64, 93	GNDa[1—4]	P	Ground Reference for Analog Circuitry.
137, 20, 65, 92	RND/BPV[1—4]	O	Receive Negative Data. When in dual-rail (DUAL = 1: register 5, bit 4) clock recovery mode (CDR = 1: register 5, bit 0), this signal is the received negative NRZ data to the terminal equipment. When in data slicing mode (CDR = 0), this signal is the raw sliced negative data of the front end. Bipolar Violation. When in single-rail (DUAL = 0: register 5, bit 4) clock recovery mode (CDR = 1: register 5, bit 0), and CODE = 1 (register 5, bit 3), this signal is asserted high to indicate the occurrence of a code violation in the receive data stream. A code violation is a bipolar violation that is not part of a zero substitution code. If CODE = 0, this signal is asserted to indicate the occurrence of a bipolar violation in the received data.

* I = input, O = output, I^u indicates an input with internal pull-up; I^d indicates an input with internal pull-down, P = power. Resistance value of all internal pull-ups or pull-downs is 50 kΩ, unless otherwise specified.

Microprocessor Mode (continued)

Pin Information (continued)

Table 1. Pin Descriptions (continued)

Pin	Symbol	Type*	Name/Description
138, 19, 66, 91	RPD/RDATA [1—4]	O	Receive Positive Data. When in dual-rail (DUAL = 1: register 5, bit 4) clock recovery mode (CDR = 1: register 5, bit 0), this signal is the received positive NRZ data to the terminal equipment. When in data slicing mode (CDR = 0), this signal is the raw sliced positive data of the front end. Receive Data. When in single-rail (DUAL = 0: register 5, bit 4) clock recovery mode (CDR = 1: register 5, bit 0), this signal is the received NRZ data.
139, 18, 67, 90	RCLK/ALOS [1—4]	O	Receive Clock. In clock recovery mode (CDR = 1: register 5, bit 0), this signal is the recovered receive clock for the terminal equipment. The duty cycle of RCLK is 50% ± 5%. Analog Loss of Signal. In data slicing mode (CDR = 0: register 5, bit 0), this signal is asserted high to indicate low amplitude receive data at the RTIP/RRING inputs.
140, 17, 68, 89	TND[1—4]	I	Transmit Negative Data. This signal is the transmit negative NRZ data from the terminal equipment.
141, 16, 69, 88	TPD/TDATA [1—4]	I	Transmit Positive Data. When in dual-rail mode (DUAL = 1: register 5, bit 4), this signal is the transmit positive NRZ data from the terminal equipment. Transmit Data. When in single-rail mode (DUAL = 0: register 5, bit 4), this signal is the transmit NRZ data from the terminal equipment.
142, 15, 70, 87	TCLK[1—4]	I	Transmit Clock. DS1 (1.544 MHz ± 32 ppm) or CEPT (2.048 MHz ± 50 ppm) clock signal from the terminal equipment.
110	MPMODE	I	Microprocessor Mode. When MPMODE = 1, the device uses the address latch enable type microprocessor read/write protocol with separate read and write controls. Setting MPMODE = 0 allows the device to use the address strobe type microprocessor read/write protocol with a separate data strobe and a combined read/write control.
108	MPMUX	I	Microprocessor Multiplex Mode. Setting MPMUX = 1 allows the microprocessor interface to accept multiplexed address and data signals. Setting MPMUX = 0 allows the microprocessor interface to accept demultiplexed (separate) address and data signals.
107	$\overline{WR_DS}$	I	Write (Active-Low). If MPMODE = 1 (pin 110), this pin is asserted low by the microprocessor to initiate a write cycle. Data Strobe (Active-Low). If MPMODE = 0 (pin 21), this pin becomes the data strobe for the microprocessor. When R/W = 0 (pin 111) initiating a write, a low applied to this pin latches the signal on the data bus into internal registers.
111	$\overline{RD_R/W}$	I	Read (Active-Low). If MPMODE = 1 (pin 110), this pin is asserted low by the microprocessor to initiate a read cycle. Read/Write. If MPMODE = 0 (pin 110), this pin is asserted high by the microprocessor to initiate a read cycle or asserted low to initiate a write cycle.

* I = input, O = output, I^u indicates an input with internal pull-up; I^d indicates an input with internal pull-down, P = power. Resistance value of all internal pull-ups or pull-downs is 50 kΩ, unless otherwise specified.

Microprocessor Mode (continued)

Pin Information (continued)

Table 1. Pin Descriptions (continued)

Pin	Symbol	Type*	Name/Description
112	ALE_AS	I	Address Latch Enable. If MPMODE = 1 (pin 110), this pin becomes the address latch enable for the microprocessor. When this pin transitions from high to low, the address bus inputs are latched into the internal registers. Address Strobe (Active-Low). If MPMODE = 0 (pin 110), this pin becomes the address strobe for the microprocessor. When this pin transitions from high to low, the address bus inputs are latched into the internal registers.
113	CS	I ^u	Chip Select (Active-Low). This pin is asserted low by the microprocessor to enable the microprocessor interface. If MPMUX = 1 (pin 108), CS can be externally tied low to use the internal chip selection function. An internal 100 kΩ pull-up is on this pin.
114	INT	O	Interrupt. This pin is asserted high to indicate an interrupt produced by an alarm condition in register 0 or 1. The activation of this pin can be masked by various register bits.
115	RDY_DTACK	O	Ready. If MPMODE = 1 (pin 110), this pin is asserted high to indicate the device has completed a read or write operation. This pin is in a 3-state condition when CS (pin 113) is high. Data Transfer Acknowledge (Active-Low). If MPMODE = 0 (pin 110), this pin is asserted low to indicate the device has completed a read or write operation.
1, 12, 37, 48, 73, 84, 109, 120	GND _D	P	Ground Reference for Microprocessor Interface and Digital Circuitry.
2, 11, 47, 74, 83, 119	VDD _D	P	Power Supply for Microprocessor Interface and Digital Circuitry. The TLIU04C1 device requires a 5 V ± 5% power supply on these pins.
46	XCLK	I ^u	Reference Clock. The clock signal used for clock and data recovery and jitter attenuation. This clock must be ungapped and free of jitter. For CLKS = 0, a 16x clock (for DS1, XCLK = 24.704 MHz ± 100 ppm and for CEPT, XCLK = 32.768 MHz ± 100 ppm). For CLKS = 1, a 1x clock (for DS1, XCLK = 1.544 MHz ± 100 ppm and for CEPT, XCLK = 2.048 MHz ± 100 ppm). To meet TBR 12/13 jitter accommodation requirements (JABW0 = 1), clock tolerances must be ±20 ppm. An internal 100 kΩ pull-up is on this pin.
45	LOXC	O	Loss of XCLK. This pin is asserted high when the XCLK signal (pin 46) is not present.
44	RESET	I ^u	Hardware Reset (Active-Low). If RESET is forced low, all internal states in the line interface paths are reset and data flow through each channel will be momentarily disrupted. The RESET pin must be held low for a minimum of 10 μs.

* I = input, O = output, I^u indicates an input with internal pull-up; I^d indicates an input with internal pull-down, P = power. Resistance value of all internal pull-ups or pull-downs is 50 kΩ, unless otherwise specified.

Microprocessor Mode (continued)

Pin Information (continued)

Table 1. Pin Descriptions (continued)

Pin	Symbol	Type *	Name/Description
43	$\overline{\text{ICT}}$	I ^u	In-Circuit Test Control (Active-Low). If $\overline{\text{ICT}}$ is forced low, certain output pins are placed in a high-impedance state. Which output pins are affected is controlled by the ICTMODE bit (register 4, bit 3).
75—82	AD[7:0]	I/O	Microprocessor Interface Address/Data Bus. If MPMUX = 0 (pin 108), these pins become the bidirectional, 3-statable data bus. If MPMUX = 1, these pins become the multiplexed address/data bus. In this mode, only the lower 4 bits (AD[3:0]) are used for the internal register addresses.
7—10	A[3:0]	I	Microprocessor Interface Address. If MPMUX = 0 (pin 108), these pins become the address bus for the microprocessor interface registers. If MPMUX = 1 (pin 108) and $\overline{\text{CS}}$ = 0 (pin 113), A3 (pin 7) can be externally tied high to use the internal chip selection function. The state of A[2:0] determines the address of the device. The device is addressed when the state of pins AD[6:4] matches the device address of A[2:0]. If this function is not used, A[3:0] must be externally tied low.
106	MPCLK	I	Microprocessor Interface Clock. Microprocessor interface clock rates from twice the frequency of the line clock (3.088 MHz for DS1 operation, 4.096 MHz for CEPT operation) to 16.384 MHz are supported.

* I = input, O = output, I^u indicates an input with internal pull-up; I^d indicates an input with internal pull-down, P = power. Resistance value of all internal pull-ups or pull-downs is 50 k Ω , unless otherwise specified.

Microprocessor Mode (continued)

System Interface Pin Options

The system interface can be configured to operate in a number of different modes. The different modes change the functionality of the system interface pins, as shown in Table 2. Dual-rail or single-rail operation is possible using the DUAL control bit (register 5, bit 4). Dual-rail mode is enabled when DUAL = 1; single-rail mode is enabled when DUAL = 0. In dual-rail operation, data received from the line interface on RTIP and RRING appears on RPD and RND at the system interface and data transmitted from the system interface on TPD and TND appears on TTIP and TRING at the line interface. In single-rail operation, data received from the line interface on RTIP and RRING appears on RDATA at the system interface and data transmitted from the system interface on TDATA appears on TTIP and TRING at the line interface.

In both dual-rail and single-rail operation, the clock/data recovery mode is selectable via the CDR bit (register 5, bit 0). When CDR = 1, the clock and data recovery is enabled and the system interface operates in a nonreturn-to-zero (NRZ) digital format, recovering the clock and data from the incoming pulses. When CDR = 0, the clock and data recovery is disabled and the system interface operates on unretimed sliced data in RZ data format. No clock is recovered, freeing up the RCLK pin to be used to indicate an analog loss of signal (ALOS). If the incoming pulse height falls below -18 dB, the ALOS pin is asserted high, and remains high until the signal rises above -14 dB.

In single-rail mode only, B8ZS/HDB3 encoding/decoding may be selected by setting the control bits properly (see the Zero Substitution Decoding (CODE) section, page 20, and the Zero Substitution Encoding (CODE) section, page 30). When a coding violations occurs, the BPV pin is asserted high.

Table 2. System Interface Pin Mapping

Configuration	RCLK/ ALOS	RPD/ RDATA	RND/BPV	TPD/ TDATA	TND
Dual-rail with Clock Recovery (DUAL = 1, CDR = 1)	RCLK	RPD	RND	TPD	TND
Dual-rail with Data Slicing (DUAL = 1, CDR = 0)	ALOS	RPD	RND		
Single-rail with Clock Recovery (DUAL = 0, CDR = 1)	RCLK	RDATA	BPV	TDATA	Not Used
Single-rail with Data Slicing (DUAL = 0, CDR = 0)	ALOS	RPD	RND		

Microprocessor Configuration Modes

Table 3 highlights the four microprocessor modes controlled by the MPMUX and MPMODE inputs (pins 108 and 110).

Table 3. Microprocessor Configuration Modes

Mode	MPMODE	MPMUX	Address/Data Bus	Generic Control, Data, and Output Pin Names
MODE 1	0	0	deMUXed	\overline{CS} , \overline{AS} , \overline{DS} , R/\overline{W} , A[3:0], AD[7:0], INT, \overline{DTACK}
MODE 2	0	1	MUXed	\overline{CS} , \overline{AS} , \overline{DS} , R/\overline{W} , AD[7:0], INT, \overline{DTACK}
MODE 3	1	0	deMUXed	\overline{CS} , ALE, \overline{RD} , \overline{WR} , A[3:0], AD[7:0], INT, RDY
MODE 4	1	1	MUXed	\overline{CS} , ALE, \overline{RD} , \overline{WR} , AD[7:0], INT, RDY

Microprocessor Mode (continued)

Microprocessor Interface Pinout Definitions

The MODE 1—MODE 4 specific pin definitions are given in Table 4. Note that the microprocessor interface uses the same set of pins in all modes.

Table 4. MODE [1—4] Microprocessor Pin Definitions

Configuration	Pin Number	Device Pin Name	Generic Pin Name	Pin Type	Assertion Sense	Function
MODE 1	107	$\overline{WR_DS}$	\overline{DS}	Input	Active-Low	Data Strobe
	111	$\overline{RD_R/W}$	R/W	Input	—	Read/Write $R/W = 1 \Rightarrow$ Read $R/W = 0 \Rightarrow$ Write
	112	ALE_AS	AS	Input	—	Address Strobe
	113	CS	CS	Input	Active-Low	Chip Select
	114	INT	INT	Output	Active-High	Interrupt
	115	RDY_DTACK	$DTACK$	Output	Active-Low	Data Acknowledge
	75—82	AD[7:0]	AD[7:0]	I/O	—	Data Bus
	7—10	A[3:0]	A[3:0]	Input	—	Address Bus
	106	MPCLK	MPCLK	Input	—	Microprocessor Clock
MODE 2	107	$\overline{WR_DS}$	\overline{DS}	Input	Active-Low	Data Strobe
	111	$\overline{RD_R/W}$	R/W	Input	—	Read/Write $R/W = 1 \Rightarrow$ Read $R/W = 0 \Rightarrow$ Write
	112	ALE_AS	AS	Input	—	Address Strobe
	113	CS	CS	Input	Active-Low	Chip Select
	114	INT	INT	Output	Active-High	Interrupt
	115	RDY_DTACK	$DTACK$	Output	Active-Low	Data Acknowledge
	75—82	AD[7:0]	AD[7:0]	I/O	—	Address/Data Bus
		106	MPCLK	MPCLK	Input	—
MODE 3	107	$\overline{WR_DS}$	\overline{WR}	Input	Active-Low	Write
	111	$\overline{RD_R/W}$	\overline{RD}	Input	Active-Low	Read
	112	ALE_AS	ALE	Input	—	Address Latch Enable
	113	CS	CS	Input	Active-Low	Chip Select
	114	INT	INT	Output	Active-High	Interrupt
	115	RDY_DTACK	RDY	Output	Active-High	Ready
	75—82	AD[7:0]	AD[7:0]	I/O	—	Data Bus
	7—10	A[3:0]	A[3:0]	Input	—	Address Bus
	106	MPCLK	MPCLK	Input	—	Microprocessor Clock
MODE 4	107	$\overline{WR_DS}$	\overline{WR}	Input	Active-Low	Write
	111	$\overline{RD_R/W}$	\overline{RD}	Input	Active-Low	Read
	112	ALE_AS	ALE	Input	—	Address Latch Enable
	113	CS	CS	Input	Active-Low	Chip Select
	114	INT	INT	Output	Active-High	Interrupt
	115	RDY_DTACK	RDY	Output	Active-High	Ready
	75—82	AD[7:0]	AD[7:0]	I/O	—	Address/Data Bus
		106	MPCLK	MPCLK	Input	—

Microprocessor Mode (continued)**Microprocessor Clock (MPCLK) Specifications**

The microprocessor interface is designed to operate at clock speeds up to 16.384 MHz without requiring any wait-states. Wait-states may be needed if higher microprocessor clock speeds are required. The microprocessor clock (MPCLK, pin 106) specification is shown in Table 5. This clock must be supplied only if the RDY_DTACK and INT outputs are required to be synchronous to MPCLK. Otherwise, the MPCLK pin must be connected to ground.

Table 5. Microprocessor Input Clock Specifications

Name	Period and Tolerance	Trise Typ	Tfall Typ	Duty Cycle		Unit
				Min High	Min Low	
MPCLK	61 to 323	5	5	27	27	ns

Internal Chip Select Function

When the microprocessor interface is configured to operate in the multiplexed address/data bus modes (MPMUX = 1), the user has access to an internal chip select function. This function allows a microprocessor to selectively read or write a specific TLIU04C1 device in a system of up to eight devices on the microprocessor bus. Externally tying $\overline{CS} = 0$ (pin 113) and A3 = 1 (pin 7) on every device enables the internal chip select function. Individual device addresses are established by externally connecting the other three address pins, A[2:0] (pins 8, 9, 10), to a unique address value in the range of 000 through 111. In order for a device to respond to the register read or write request from the microprocessor, the address data bus AD[6:4] (pins 76, 77, 78) must match the specific address defined on A[2:0]. If \overline{CS} and A3 pins are tied low, the internal chip select function is disabled and all devices will respond to a microprocessor write request. However, if $\overline{CS} = 1$, none of the devices will respond to the microprocessor read/write request.

The I/O timing specifications for the microprocessor interface are given on page 53.

Microprocessor Mode (continued)

Microprocessor Interface Register Architecture

The register bank architecture of TLIU04C1 consists of a register bank for the quad line interface unit. The register bank consists of sixteen 8-bit registers comprising the alarm, control, and configuration registers for the quad line interface unit.

Table 6 shows the register bank architecture.

Table 6. LIU Register Bank

Designation	Address	Bit 7	Bit 6	Bit 5	Bit 4	Bit 3	Bit 2	Bit 1	Bit 0
Alarm Registers (Read Only)									
0	0000	LOTC2	TDM2	DLOS2	ALOS2	LOTC1	TDM1	DLOS1	ALOS1
1	0001	LOTC4	TDM4	DLOS4	ALOS4	LOTC3	TDM3	DLOS3	ALOS3
Alarm Mask Registers (Read/Write)									
2	0010	MLOTC2	MTDM2	MDLOS2	MALOS2	MLOTC1	MTDM1	MDLOS1	MALOS1
3	0011	MLOTC4	MTDM4	MDLOS4	MALOS4	MLOTC3	MTDM3	MDLOS3	MALOS3
Global Control Registers (Read/Write)									
4	0100	HIGHZ4 (1)	HIGHZ3 (1)	HIGHZ2 (1)	HIGHZ1 (1)	ICTMODE (0)	LOSSTD	SWRESET (0)	GMASK (1)
5	0101	LOSSD	ACM	ALM	DUAL	CODE	JAT	JAR	CDR
Channel Configuration Registers (Read/Write)									
6	0110	EQA1	EQB1	EQC1	LOOPA1	LOOPB1	XAIS1	MASK1	PWRDN1
7	0111	EQA2	EQB2	EQC2	LOOPA2	LOOPB2	XAIS2	MASK2	PWRDN2
8	1000	EQA3	EQB3	EQC3	LOOPA3	LOOPB3	XAIS3	MASK3	PWRDN3
9	1001	EQA4	EQB4	EQC4	LOOPA4	LOOPB4	XAIS4	MASK4	PWRDN4
10	1010	0	0	0	0	0	0	0	0
11	1011	0	CODE3	0	CODE4	0	0	0	0
12	1100	CODE1	CODE2	JABW0 (0)	PHIZALM (0)	PRLALM (0)	PFLALM (0)	RCVAIS (0)	ALTIMER (0)
13	1101	0	0	0	0	0	0	0	0
14—15	1110—1111	RESERVED							

Notes:

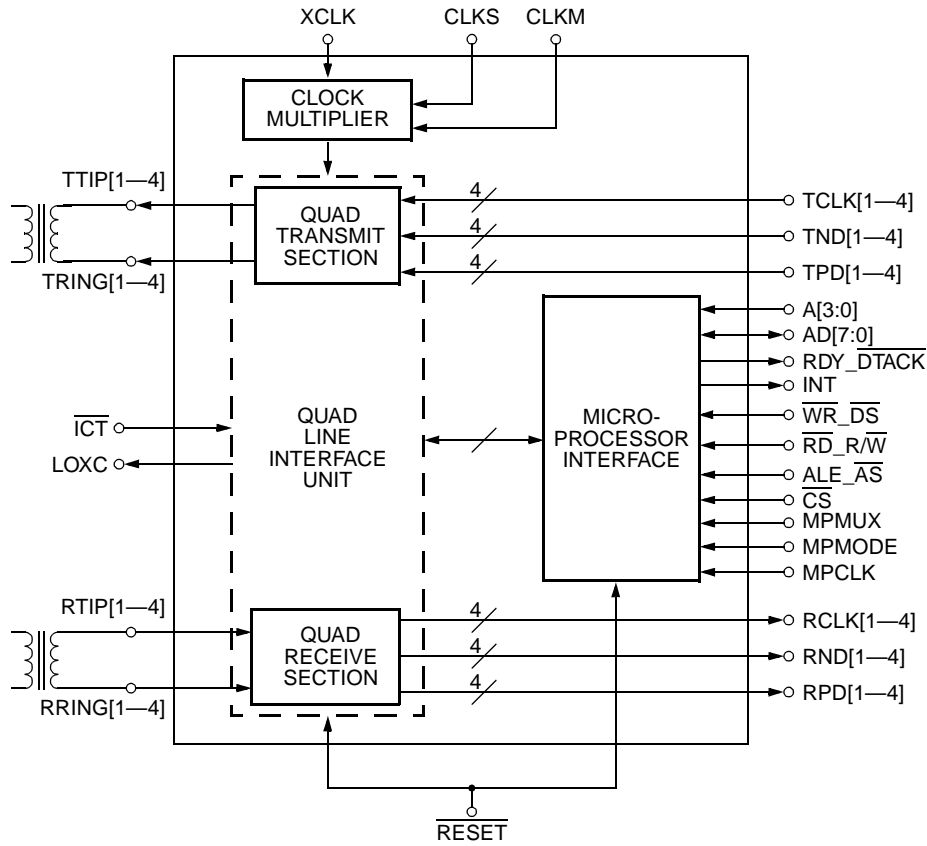
A numerical suffix appended to the bit name identifies the channel number.

Bits shown in parentheses indicate the state forced during a reset condition.

All registers must be configured by the user before the device can operate as required for the particular application.

Microprocessor Mode (continued)

Block Diagrams



5-7822(F).ar.1

Figure 2. TLIU04C1 Block Diagram, CMODE = 1 (Microprocessor Mode)

Microprocessor Mode (continued)

Data Recovery

The receive line interface unit (RLIU) format is bipolar alternate mark inversion (AMI). The data rate tolerance is ± 130 ppm (DS1) or ± 80 ppm (CEPT). The receiver first restores the incoming data and detects analog loss of signal. Subsequent processing is optional and depends on the programmable device configuration established within the microprocessor interface registers. The RLIU utilizes an equalizer to operate on line length with up to 15 dB of loss at 772 kHz (DS1) or 13 dB loss at 1.024 MHz (CEPT). The signal is then peak-detected and sliced to produce digital representations of the data.

Selectable clock and data recovery, digital loss of signal, jitter attenuation, and data decoding are performed. For applications bypassing the clock and data recovery function (CDR = 0), the receive digital output format is unretimed sliced data (RZ positive and negative data). For clock and data recovery applications (CDR = 1), the receive digital output format is non-return-to-zero (NRZ) with selectable dual-rail or single-rail system interface. The recovered clock (RCLK, pins 139, 18, 67, 90) is only provided when CDR = 1 (see Table 2).

The clock is recovered by a digital phase-locked loop that uses XCLK (pin 46) as a reference to lock to the data rate component. Because the internal reference clock is a multiple of the received data rate, the RCLK output (pins 139, 18, 67, 90) will always be a valid DS1/CEPT clock that eliminates false-lock conditions. During periods with no receive input signal, the free-run frequency of RCLK is defined to be either XCLK/16 or XCLK, depending on the state of CLKS (pin 117). RCLK is always active with a duty-cycle centered at 50%, deviating by no more than $\pm 5\%$. Valid data is recovered within the first few bit periods after the application of XCLK. The delay of the data through the receive circuitry is approximately 1 to 14 bit periods, depending on the CDR and CODE configurations. Additional delay is introduced if the jitter attenuator is selected for operation in the receive path (see the LIU Delay Values section, page 42).

Jitter Accommodation and Jitter Transfer Without the Jitter Attenuator

The RLIU is designed to accommodate large amounts of input jitter. The RLIU's jitter performance exceeds the requirements shown in the RLIU Specifications tables (Table 10 and Table 11). Typical receiver performance without the jitter attenuator in the path is shown

in Figure 4 through Figure 7. Jitter transfer is independent of input ones density on the line interface.

Receiver Configuration Modes

Clock/Data Recovery Mode (CDR)

The clock/data recovery function in the receive path is selectable via the CDR bit (register 5, bit 0). If CDR = 1, the clock and data recovery function is enabled and provides a recovered clock (RCLK) with retimed data (RPD/RDATA, RND). If CDR = 0, the clock and data recovery function is disabled, and the RZ data from the slicers is provided over RPD and RND to the system. In this mode, ALOS is available on the RCLK/ALOS pins, and downstream functions selected by microprocessor register 5 (JAR, ACM, LOSSD) are ignored.

Zero Substitution Decoding (CODE)

When single-rail operation is selected with DUAL = 0 (register 5, bit 4), the B8ZS/HDB3 decoding can be selected. CODE = 1 selects the B8ZS/HDB3 decoding operation in all four channels, regardless of the state of the CODE[1—4] bits. The B8ZS/HDB3 decoding operation can be selected for individual channels independently by setting CODE = 0 and programming CODE[1—4] bits for the respective channels.

Note: Encoding and decoding are not independent. Selecting B8ZS/HDB3 decoding in the receiver selects B8ZS/HDB3 encoding in the transmitter.

Table 7. Register Map for CODE Bits

Name	Location	
	Register	Bit
CODE	5	3
CODE1	12	7
CODE2	12	6
CODE3	11	6
CODE4	11	4

When decoding is selected for a given channel, decoded receive data and code violations appear on the RDATA and BPV pins, respectively. If coding is not selected, receive data and any bipolar violations (such as two consecutive ones of the same polarity) appear on the RDATA and BPV pins, respectively.

Microprocessor Mode (continued)

Receiver Configuration Modes (continued)

Alternate Logic Mode (ALM)

The alternate logic mode (ALM) control bit (register 5, bit 5) selects the receive and transmit data polarity (i.e., active-high vs. active-low). If ALM = 0, the receiver circuitry (and transmit input) assumes the data to be active-low polarity. If ALM = 1, the receiver circuitry (and transmit input) assumes the data to be active-high polarity. The ALM control is used in conjunction with the ACM control (register 5, bit 6) to determine the receive data retiming mode.

Alternate Clock Mode (ACM)

The alternate clock mode (ACM) control bit (register 5, bit 6) selects the positive or negative clock edge of the receive clock (RCLK) for receive data retiming. The ACM control is used in conjunction with ALM (register 5, bit 5) control to determine the receive data retiming modes. If ACM = 1, the receive data is retimed on the positive edge of the receive clock. If ACM = 0, the receive data is retimed on the negative edge of the receive clock. Note that this control does not affect the timing relationship for the transmitter inputs. See Figure 23 on page 59.

RLIU Alarms

Analog Loss of Signal (ALOS) Alarm. An analog signal detector monitors the receive signal amplitude and reports its status in the analog loss of signal alarm bits in registers 0 and 1. Analog loss of signal is indicated (ALOS = 1) if the amplitude at the RRING and RTIP inputs drops more than approximately 18 dB below the nominal signal amplitude. The ALOS alarm condition will clear when the receive signal amplitude returns to greater than 14 dB below normal. In this way, the ALOS circuitry provides 4 dB of hysteresis to prevent alarm chattering. The ALOS alarm status bit will latch the alarm and remain set until being cleared by a read (clear on read). Upon the transition from ALOS = 0 to ALOS = 1, a microprocessor interrupt will be generated if the corresponding ALOS interrupt mask bit (MALOS; registers 2 and 3, bits 0 and 4), the channel mask bit (MASK; registers 6—9, bit 1), or the global mask bit (GMASK; register 4, bit 0) is not set.

The time required to detect ALOS is selectable. When ALTIMER = 0 (register 12, bit 0), ALOS is declared between 1 ms and 2.6 ms after losing signal as required by I.431(3/93) and ETS-300-233 (5/94). If ALTIMER = 1, ALOS is declared between 10 and 255 bit symbol periods after losing signal as required by G.775 (11/95). The timing is derived from the XCLK clock. The detection time is independent of signal amplitude before the loss condition occurs. Normally, ALTIMER = 1 would be used only in CEPT mode since no T1/DS1 standards require this mode. In T1/DS1 mode, this bit should normally be zero.

The behavior of the receiver LIU outputs under ALOS conditions is dependent on the loss shutdown control bit (LOSSD; register 5, bit 7) in conjunction with the receive alarm indication select control bit (RCVAIS; register 12, bit 1) as described in the Loss Shutdown (LOSSD) and Receiver AIS (RCVAIS) section on page 22.

Digital Loss of Signal (DLOS) Alarm. A digital loss of signal (DLOS) detector guarantees the received signal quality as defined in the appropriate ANSI, Bellcore, and ITU standards. The digital loss of signal alarms are reported in the alarm status registers 0 and 1. During DS1 operation, digital loss of signal (DLOS = 1) is indicated if 100 or more consecutive zeros occur in the receive data stream. The DLOS condition is deactivated when the average ones density of at least 12.5% is received in 100 contiguous pulse positions. The DLOS alarm status bit will latch the alarm and remain set until being cleared by a read (clear on read). The LOSSTD control bit (register 4, bit 2) selects the conformance protocols for the DLOS alarm indication per Table 8. Setting LOSSTD = 1 adds an additional constraint that there are less than 15 consecutive zeros in the DS1 data stream before DLOS is deactivated.

Microprocessor Mode (continued)

Receiver Configuration Modes (continued)

RLIU Alarms (continued)

Table 8. Digital Loss of Signal Standard Select

LOSSTD	DS1 Mode	CEPT Mode
0	T1M1.3/93-005, ITU-T G.775	ITU-T G.775
1	TR-TSY-000009	ITU-T G.775

During CEPT operation, DLOS is indicated when 255 or more consecutive zeros occur in the receive data stream. The DLOS indication is deactivated when the average ones density of at least 12.5% is received in 255 contiguous pulse positions. LOSSTD has no effect in CEPT mode.

Upon the transition from DLOS = 0 to DLOS = 1, a microprocessor interrupt will be generated if the corresponding DLOS interrupt mask bit (MDLOS; registers 2 and 3, bits 1 and 5), the channel mask bit (MASK; registers 6—9, bit 1) or the global mask bit (GMASK; register 4, bit 0) is not set.

The DLOS alarm may occur when FLLOOP is activated (see Loopbacks on page 41) due to the abrupt change in signal level at the receiver input. Setting the FLLOOP alarm prevention, PFLALM = 1 (register 12, bit 2), prevents the DLOS alarm from occurring when FLLOOP is activated by quickly resetting the receiver's internal peak detector. It will not prevent the DLOS alarm during the FLLOOP period but only avoids the alarm created by the signal amplitude transient.

Loss Shutdown (LOSSD) and Receiver AIS (RCVAIS). The loss shutdown control bit (LOSSD; register 5, bit 7) acts in conjunction with the receive alarm indication select (RCVAIS) control bit (register 12, bit 1) to place the digital outputs in a predetermined state when a digital loss of signal (DLOS) or analog loss of signal (ALOS) alarm occurs.

If LOSSD = 0 and RCVAIS = 0, the RND, RPD, and RCLK outputs will be unaffected by the DLOS alarm condition. However, when an ALOS alarm condition is indicated in the alarm status registers, the RPD and RND outputs are forced to their inactive state (dependent on ALM state) and the RCLK free runs (based on XCLK frequency).

If LOSSD = 0, RCVAIS = 1, and a DLOS or an ALOS alarm condition is indicated in the alarm status registers, the RPD and RND outputs will present an alarm indication signal (AIS, all ones) based on the free-running clock frequency, and the RCLK free runs.

If LOSSD = 1, regardless of the state of RCVAIS, and a DLOS or an ALOS alarm condition is indicated in the alarm status registers, the RPD and RND outputs are forced to their inactive state (dependent on ALM state) and the RCLK free runs.

The RND, RPD, and RCLK signals will remain unaffected if any loopback (FLLOOP, RLOOP, DLLOOP) is activated independent of LOSSD and RCVAIS settings.

The LOSSD and RCVAIS behavior is summarized in Table 9.

Table 9. LOSSD and RCVAIS Control Configurations (Not Valid During Loopback Modes)

LOSSD	RCVAIS	ALARM	RPD/RND	RCLK
0	0	ALOS	0 if ALM = 1, 1 if ALM = 0	Free Runs
0	0	DLOS	Normal Data	Recovered Clock
0	1	ALOS	AIS (all ones)	Free Runs
0	1	DLOS	AIS (all ones)	Free Runs
1	X	ALOS	0 if ALM = 1, 1 if ALM = 0	Free Runs
1	X	DLOS	0 if ALM = 1, 1 if ALM = 0	Free Runs

Microprocessor Mode (continued)

Receiver Configuration Modes (continued)

RLIU Alarms (continued)

RLIU Bipolar Violation (BPV) Alarm. The bipolar violation (BPV) alarm is used only in the single-rail mode of operation. When B8ZS(DS1)/HDB3(CEPT) coding is not used (i.e., CODE = 0), any violations in the receive data (such as two or more consecutive ones on a rail) are indicated on the RND/BPV outputs. When B8ZS(DS1)/HDB3(CEPT) coding is used (i.e., CODE = 1), the HDB3/B8ZS code violations are reflected on the RND/BPV outputs.

DS1 Receiver Specifications

During DS1/T1 operation, the RLIU will perform as specified in Table 10.

Table 10. DS1 RLIU Specifications

Parameter	Min	Typ	Max	Unit	Spec
Analog Loss of Signal:					
Threshold to Assert	17.5	18	23	dB*	1.431
Threshold to Clear	13.5	14	17.5	dB*	—
Hysteresis	—	4	—	dB	—
Time to Assert (ALTIMER = 0)	1.0	—	2.6	ms	1.431
Receiver Sensitivity†	11	15	—	dB	—
Jitter Transfer:					
3 dB Bandwidth	—	3.84	—	kHz	Figure 5 on page 25
Peaking	—	—	0.1	dB	Figure 11 on page 38
Generated Jitter	—	0.04	0.05	Ulp-p	GR-499-CORE ITU-T G.824
Jitter Accommodation	—	—	—	—	Figure 4 on page 24 Figure 10 on page 37
Return Loss‡:					
51 kHz to 102 kHz	14	—	—	dB	—
102 kHz to 1.544 MHz	20	—	—	dB	—
1.544 MHz to 2.316 MHz	16	—	—	dB	—
Digital Loss of Signal:					
Flag Asserted When Consecutive Bit Positions Contain	100	—	—	zeros	ITU-T G.775, T1M1.3/93-005
Flag Deasserted When Data Density Is and Maximum Consecutive Zeros Are	12.5	—	—	% ones	—
	—	—	15	zeros	TR-TRY-000009
	—	—	99	zeros	ITU-T G.775, T1M1.3/ 93-005

* Below the nominal pulse amplitude of 3.0 V with the line circuitry specified (see Line Circuitry on page 50).

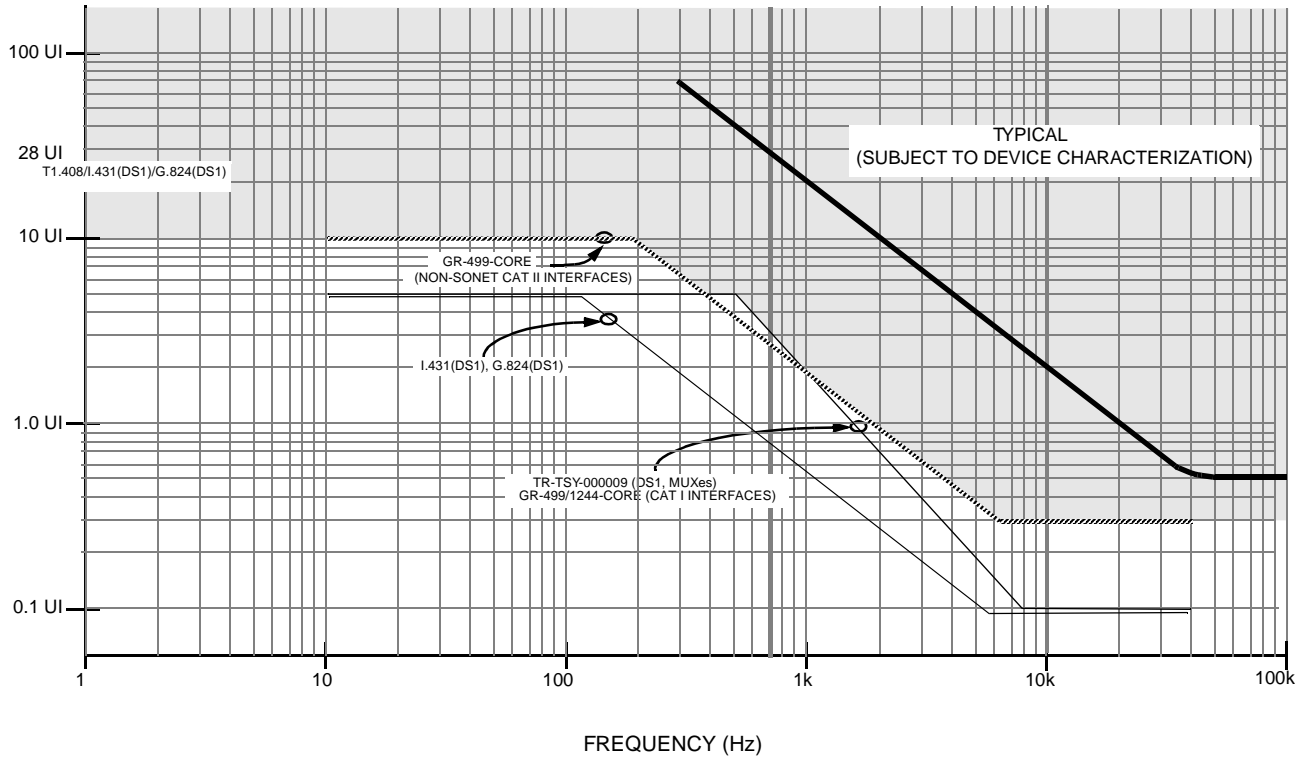
† Cable loss at 772 kHz.

‡ Using Lucent transformer 2795B and components listed in Table 30.

Microprocessor Mode (continued)

DS1 Receiver Specifications (continued)

Frequency Response Curves



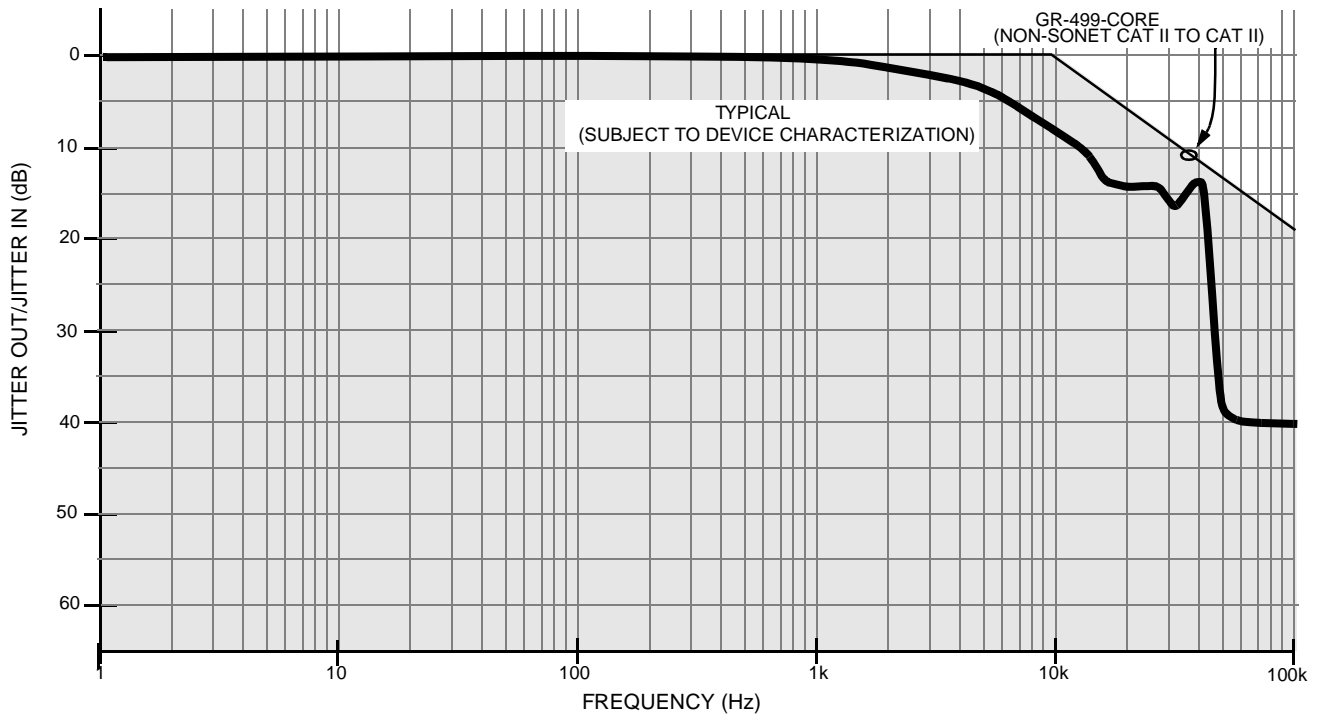
5-5260(F)r.7

Figure 4. DS1/T1 Receiver Jitter Accommodation Without Jitter Attenuator

Microprocessor Mode (continued)

DS1 Receiver Specifications (continued)

Frequency Response Curves (continued)



5-5261(F)r.4

Figure 5. DS1/T1 Receiver Jitter Transfer Without Jitter Attenuator

Microprocessor Mode (continued)

CEPT Receiver Specifications

During CEPT/E1 operation, the RLIU will perform as specified in Table 11.

Table 11. CEPT RLIU Specifications

Parameter	Min	Typ	Max	Unit	Spec
Analog Loss of Signal:					
Threshold to Assert	17.5	18	23	dB*	I.431, ETSI 300 233
Threshold to Clear	13.5	14	17.5	dB*	—
Hysteresis	—	4	—	dB	—
Time to Assert (ALTIMER = 0)	1.0	—	2.6	ms	I.431, ETSI 300 233
Time to Assert (ALTIMER = 1)	10	—	255	UI	G.775
Receiver Sensitivity†	11	13.5	—	dB	—
Interference Immunity‡:	9	12	—	dB	ITU-T G.703
Jitter Transfer:					
3 dB Bandwidth, Single Pole Roll Off	—	5.1	—	kHz	Figure 7 on page 28
Peaking	—	—	0.5	dB	Figure 13 on page 40
Generated Jitter	—	0.04	0.05	UIp-p	ITU-T G.823, I.431
Jitter Accommodation	—	—	—	—	Figure 6 on page 27 Figure 12 on page 39
Return Loss§:					ITU-T G.703
51 kHz to 102 kHz	14	—	—	dB	
102 kHz to 1.544 MHz	20	—	—	dB	
1.544 MHz to 2.316 MHz	16	—	—	dB	
Digital Loss of Signal:					
Flag Asserted When Consecutive Bit Positions Contain	255	—	—	zeros	—
Flag Deasserted When Data Density is (LOSSTD = 1)	12.5	—	—	%ones	ITU-T G.775

* Below the nominal pulse amplitude of 3.0 V with the line circuitry specified (see Line Circuitry on page 50).

† Cable loss at 1.024 MHz.

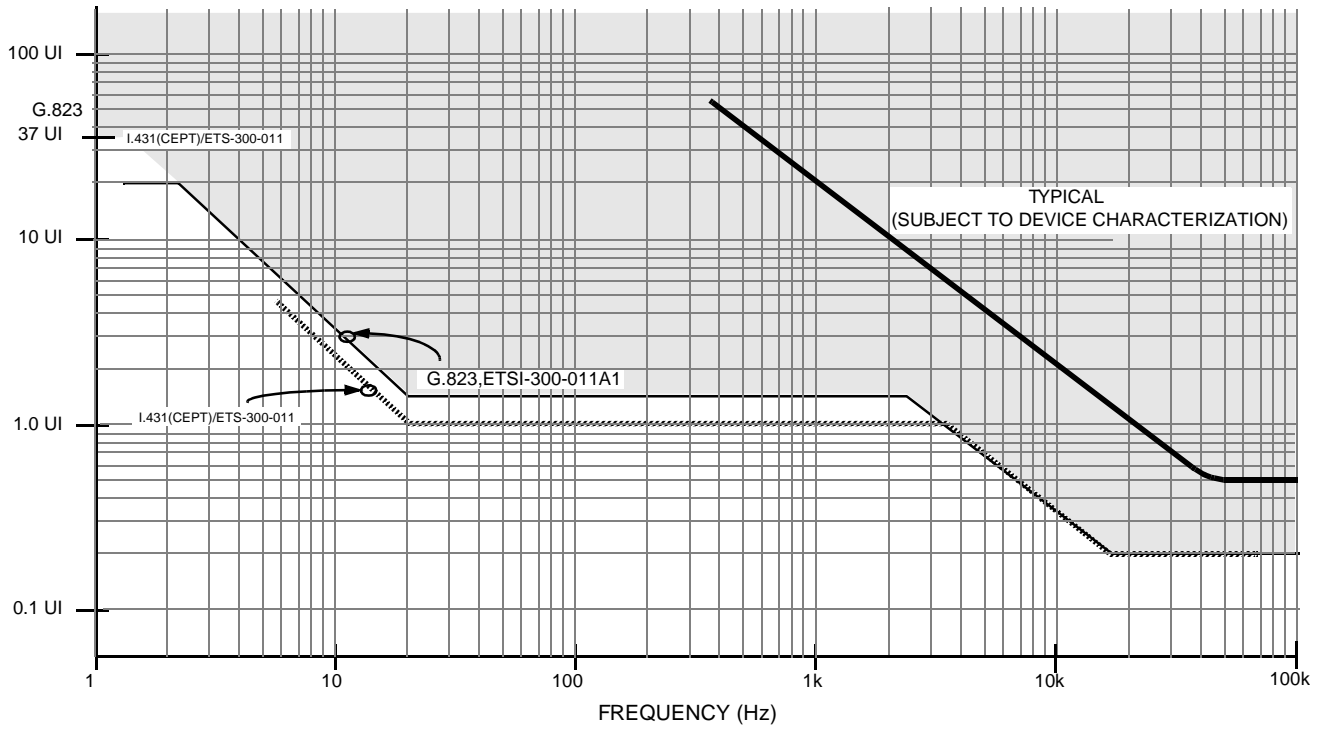
‡ Amount of cable loss for which the receiver will operate error-free in the presence of a -18 dB interference signal summing with the intended signal source.

§ Using Lucent transformer 2795D or 2795C and components listed in Table 30.

Microprocessor Mode (continued)

CEPT Receiver Specifications (continued)

Frequency Response Curves



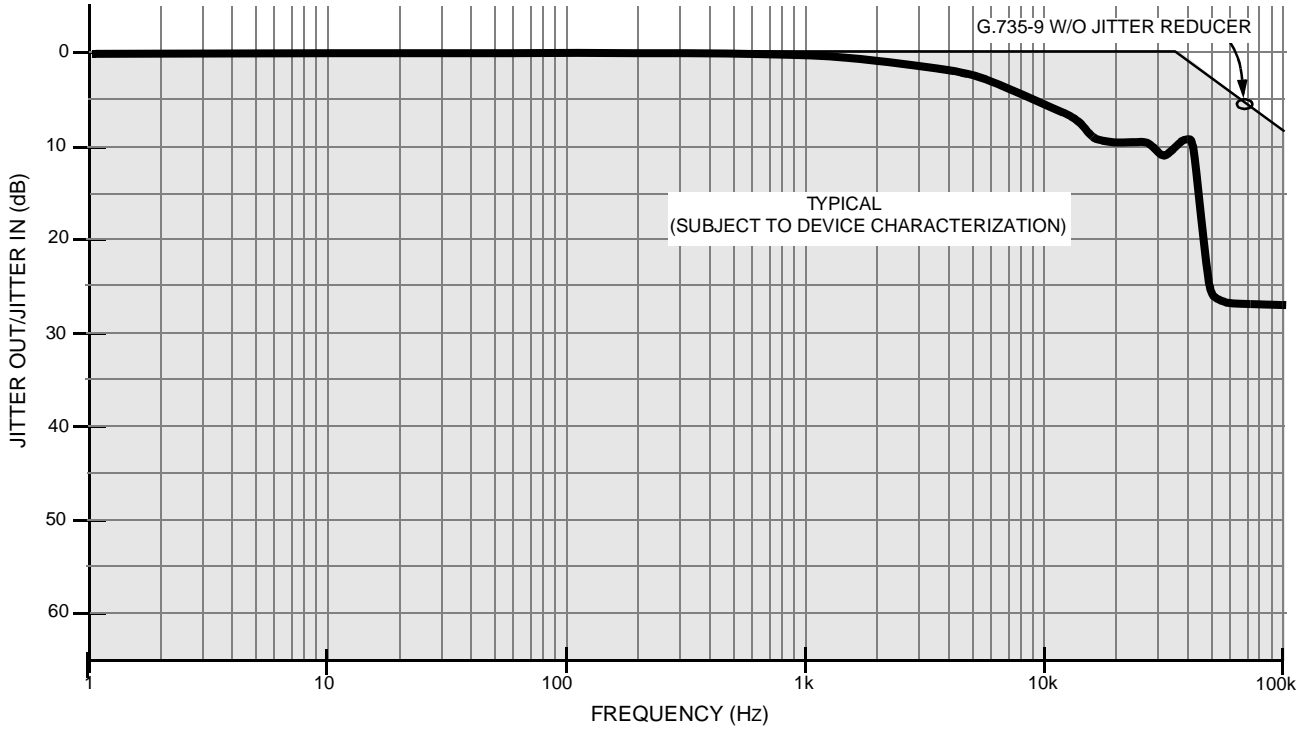
5-5262(F)r.8

Figure 6. CEPT/E1 Receiver Jitter Accommodation Without Jitter Attenuator

Microprocessor Mode (continued)

CEPT Receiver Specifications (continued)

Frequency Response Curves (continued)



5-5263(F)r.4

Figure 7. CEPT/E1 Receiver Jitter Transfer Without Jitter Attenuator

Microprocessor Mode (continued)

Output Pulse Generation

The transmitter accepts a clock with NRZ data in single-rail mode (DUAL = 0: register 5, bit 4) or a clock with positive and negative NRZ data in dual-rail mode (DUAL = 1) from the system. The device converts this data to a balanced bipolar signal (AMI format) with optional B8ZS(DS1)/HDB3(CEPT) encoding and jitter attenuation. Low-impedance output drivers produce these pulses on the line interface. Positive ones are output as a positive pulse on TTIP, and negative ones are output as a positive pulse on TRING. Binary zeros are converted to null pulses. The total delay of the data from the system interface to the transmit driver is approximately 3 to 11 bit periods, depending on the code configuration (see the Zero Substitution Decoding (CODE) section, page 20 and the Zero Substitution Encoding (CODE) section, page 30).

Additional delay results if the jitter attenuator is selected for use in the transmit path (see the LIU Delay Values section).

Transmit pulse shaping is controlled by the on-chip pulse-width controller and pulse equalizer. The pulse-width controller produces high-speed timing signals to accurately control the transmit pulse widths. This eliminates the need for a tightly controlled transmit clock duty cycle that is usually required in discrete implementations. The pulse equalizer controls the amplitudes of the pulses. Different pulse equalizations are selected through proper settings of EQA, EQB, and EQC (registers 6—9, bits 5—7) as described in Table 12.

Table 12. Equalizer/Rate Control

EQA	EQB	EQC	Service	Clock Rate	Transmitter Equalization*		Maximum Cable Loss [†]
					Feet	Meters	dB
0	0	0	DS1	1.544 MHz	0 ft. to 131 ft.	0 m to 40 m	0.6
0	0	1			131 ft. to 262 ft.	40 m to 80 m	1.2
0	1	0			262 ft. to 393 ft.	80 m to 120 m	1.8
0	1	1			393 ft. to 524 ft.	120 m to 160 m	2.4
1	0	0			524 ft. to 655 ft.	160 m to 200 m	3.0
1	0	1	CEPT [‡]	2.048 MHz	75 Ω (Option 2)		—
1	1	0			120 Ω or 75 Ω (Option 1)		—
1	1	1	Not Used	—	—		—

* In DS1 mode, the distance to the DSX for 22 gauge PIC (ABAM) cable is specified. Use the maximum cable loss figures for other cable types. In CEPT mode, equalization is specified for coaxial or twisted-pair cable.

[†] Loss measured at 772 kHz.

[‡] In 75 Ω applications, Option 1 is recommended over Option 2 for lower device power dissipation. Option 2 allows for the same transformer as used in CEPT 120 Ω applications.

Jitter

The intrinsic jitter of the transmit path, i.e., the jitter at TTIP/TRING when no jitter is applied to TCLK (and the jitter attenuator is not selected, JAT = 0), is typically 5 nsp-p and will not exceed 0.02 Ulp-p.

Microprocessor Mode (continued)

Zero Substitution Encoding (CODE)

Zero substitution B8ZS/HDB3 encoding can be activated only in the single-rail system interface mode (DUAL = 0). CODE = 1 selects the B8ZS/HDB3 encoding operation in all four channels, regardless of the state of the CODE[1—4] bits. The B8ZS/HDB3 encoding operation can be selected for individual channels independently by setting CODE = 0 and programming CODE[1—4] bits for the respective channels.

Note: Encoding and decoding are not independent. Selecting B8ZS/HDB3 encoding in the transmitter selects B8ZS/HDB3 decoding in the receiver.

Table 13. Register Map for CODE Bits

Name	Location	
	Register	Bit
CODE	5	3
CODE1	12	7
CODE2	12	6
CODE3	11	6
CODE4	11	4

When coding is selected for a given channel, data transmitted from the system interface on TDATA (pins 141, 16, 69, 88) will be B8ZS/HDB3 encoded before appearing on TTIP and TRING at the line interface.

Alarm Indication Signal Generator (XAIS)

When the transmit alarm indication signal control is set (XAIS = 1) for a given channel (registers 6—9, bit 2), a continuous stream of bipolar ones is transmitted to the line interface. The TPD/TDATA and TND inputs are ignored during this mode. The XAIS input is ignored when a remote loopback (RLOOP) is selected using loopback control bits (LOOPA and LOOPB; registers 6—9, bits 3 and 4). (See the Loopbacks section.)

The normal clock source for the AIS signal is TCLK. If TCLK is not available (loss of TCLK detected), then the AIS signal clock defaults to INTXCLK/16. INTXCLK is either XCLK, or 16x XCLK, depending on the state of the CLKS input pin. See Figure 3 on page 19, and CLKS in Table 1, Pin Descriptions, on page 10. For any of the above options, the clock tolerance must meet the normal line transmission rates (DS1 1.544 MHz ± 32 ppm; CEPT 2.048 MHz ± 50 ppm).

Transmitter Alarms

Loss of Transmit Clock (LOTC) Alarm

A loss of transmit clock alarm (LOTC = 1; registers 0 and 1, bits 3 and 7) is indicated if any of the clocks in the transmit path disappear. This includes loss of TCLK input, loss of RCLK during remote loopback, loss of jitter attenuator output clock (when enabled), or the loss of clock from the pulse-width controller.

For all of these conditions, a core transmitter timing clock is lost and no data can be driven onto the line. Output drivers TTIP and TRING are placed in a high-impedance state when this alarm condition is active. The LOTC interrupt is asserted between 3 μs and 16 μs after the clock disappears, and deasserts immediately after detecting the first clock edge. The LOTC alarm status bit will latch the alarm and remain set until being cleared by a read (clear on read). Upon the transition from LOTC = 0 to LOTC = 1, a microprocessor interrupt will be generated if the corresponding LOTC interrupt mask bit (MLOTC; registers 2 and 3, bits 3 and 7), the channel mask bit (MASK; registers 6—9, bit 1), or the global mask bit (GMASK; register 4, bit 0) is not set.

An LOTC alarm may occur when RLOOP is activated and deactivated due to the phase transient that occurs as TCLK switches its source to and from RCLK. Setting the prevent RLOOP alarm bit (PRLALM = 1; LIU register 12, bit 3) prevents the LOTC alarm from occurring at the activation and deactivation of RLOOP but allows the alarm to operate normally during the RLOOP active period.

Transmit Driver Monitor (TDM) Alarm

The transmit driver monitor detects two conditions: a nonfunctional link due to a fault on the primary of the transmit transformer, or periods of no data transmission. The transmit driver monitor alarm (TDM; registers 0 and 1, bits 2 and 6) is the ORed function of both faults and provides information about the integrity of the transmit signal path.

The first monitoring function is provided to detect non-functional links and protect the device from damage.

The alarm is set (TDM = 1) when one of the transmitter's line drivers (TTIP or TRING) is shorted to power supply or ground, or TTIP and TRING are shorted together. Under these conditions, internal circuitry protects the device from damage and excessive power supply current consumption by 3-stating the output drivers. The monitor detects faults on the transformer primary, but transformer secondary faults may not be detected.

Microprocessor Mode (continued)

Transmitter Alarms (continued)

Transmit Driver Monitor (TDM) Alarm (continued)

The monitor operates by comparing the line pulses with the transmit inputs. After 32 transmit clock cycles, the transmitter is powered up in its normal operating mode. The drivers attempt to correctly transmit the next data bit. If the error persists, TDM remains active to eliminate alarm chatter and the transmitter is internally protected for another 32 transmit clock cycles. This process is repeated until the error condition is removed and the TDM alarm is deactivated. The TDM alarm status bit will latch the alarm and remain set until being cleared by a read (clear on read).

The second monitoring function is to indicate periods of no data transmission. The alarm is set (TDM = 1) when 32 consecutive zeros have been transmitted, and the alarm condition is cleared on the detection of a single pulse. Again, the TDM alarm status bit will latch the alarm and remain set until being cleared by a read (clear on read). This alarm condition does not alter the state or functionality of the signal path.

Upon the transition from TDM = 0 to TDM = 1, a microprocessor interrupt will be generated if the TDM interrupt mask bit (MTDM; registers 2 and 3, bits 2 and 6) is not set and the GMASK bit (register 4, bit 0) is not set.

A TDM alarm may occur when RLOOP is activated and deactivated. If the prevent RLOOP alarm bit (PRLALM; register 12, bit 3) is not set, then RLOOP may activate an LOTC alarm, which will put the output drivers TTIP and TRING in a high-impedance state as described in Loss of Transmit Clock (LOTC) Alarm on page 30. The high-impedance state of the drivers may, in turn, generate a TDM alarm. Setting the HIGHZ alarm prevention PHIZALM = 1 (register 12, bit 4) prevents the TDM alarm from occurring when the drivers are in a high-impedance state.

DS1 Transmitter Pulse Template and Specifications

The DS1 pulse shape template is specified at the DSX (defined by CB119 and ANSI T1.102) and is illustrated in Figure 8. The device also meets the pulse template specified by ITU-T G.703 (not shown).

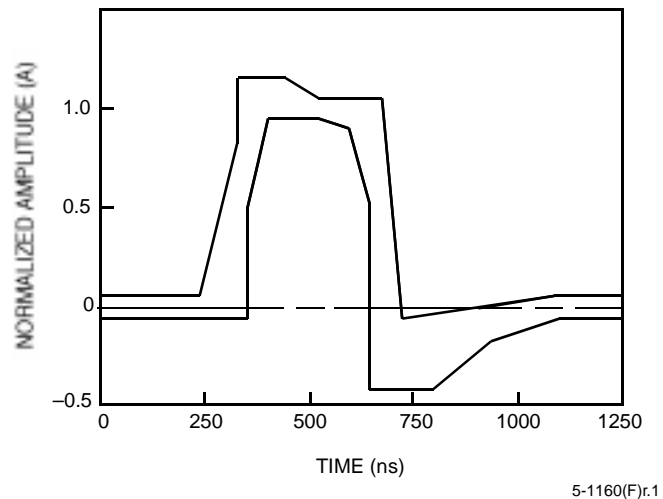


Figure 8. DSX-1 Isolated Pulse Template

Table 14. DSX-1 Pulse Template Corner Points (from CB119)

Maximum Curve		Minimum Curve	
ns	V	ns	V
0	0.05	0	-0.05
250	0.05	350	-0.05
325	0.80	350	0.50
325	1.15	400	0.95
425	1.15	500	0.95
500	1.05	600	0.90
675	1.05	650	0.50
725	-0.07	650	-0.45
1100	0.05	800	-0.45
1250	0.05	925	-0.20
—	—	1100	-0.05
—	—	1250	-0.05

Microprocessor Mode (continued)

DS1 Transmitter Pulse Template and Specifications (continued)

During DS1 operation, the TTIP and TRING pins will perform as specified in Table 15.

Table 15. DS1 Transmitter Specifications

Parameter	Min	Typ	Max	Unit	Spec
Output Pulse Amplitude at DSX ¹	2.5	3.0	3.5	V	AT&T CB119, ANSI T1.102
Output Pulse Width at Line Side of Transformer ¹	325	350	375	ns	
Output Pulse Width at Device Pins TTIP and TRING ¹	330	350	370	ns	
Positive/Negative Pulse Imbalance ²	—	0.1	0.4	dB	
Power Levels ^{3, 4} :					
772 kHz	12.6	—	17.9	dBm	
1.544 MHz ⁵	29	39	—	dB	

1. In accordance with the line circuitry described (see Line Circuitry on page 50).

2. Total power difference.

3. Measured in a 2 kHz band around the specified frequency.

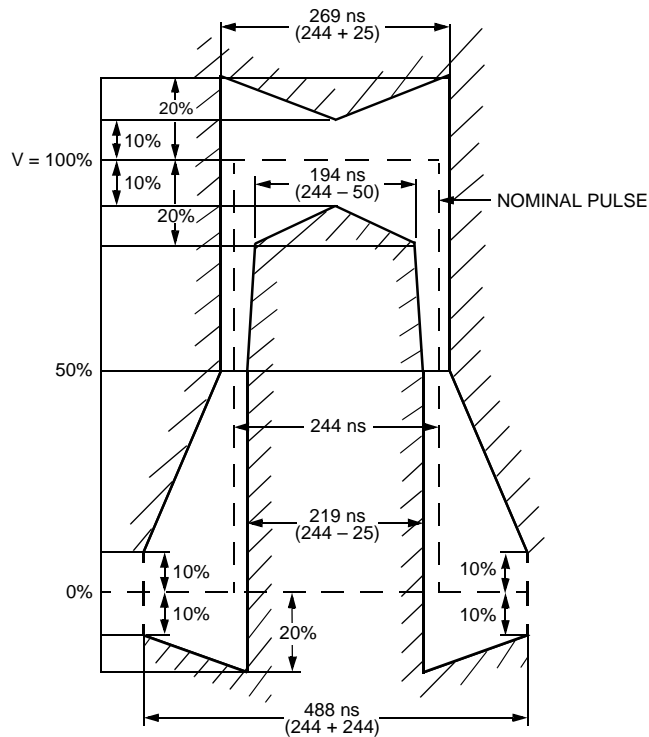
4. Using Lucent transformer 2795B and components in Table 30.

5. Below the power at 772 kHz.

Microprocessor Mode (continued)

CEPT Transmitter Pulse Template and Specifications

CEPT pulse shape template is specified at the system output (defined by ITU-T G.703) and is illustrated in Figure 9.



5-3145(F)r.1

Figure 9. ITU-T G.703 Pulse Template

Microprocessor Mode (continued)

CEPT Transmitter Pulse Template and Specifications (continued)

During CEPT operation, the transmitter tip/ring (TTIP/TRING pins) will perform as specified in Table 16.

Table 16. CEPT Transmitter Specifications

Parameter	Min	Typ	Max	Unit	Spec
Output Pulse Amplitude*:					ITU-T G.703
75 Ω	2.13	2.37	2.61	V	
120 Ω	2.7	3.0	3.3	V	
Output Pulse Width at Line Side of Transformer*	219	244	269	ns	
Output Pulse Width at Device Pins TTIP and TRING*	224	244	264	ns	
Positive/Negative Pulse Imbalance:					
Pulse Amplitude	-4	±1.5	4	%	
Pulse Width	-4	±1	4	%	
Zero Level (percentage of pulse amplitude)	-5	0	5	%	
Return Loss† (120 Ω):					CH-PTT
51 kHz to 102 kHz	9	—	—	dB	
102 kHz to 2.048 MHz	15	—	—	dB	
2.048 MHz to 3.072 MHz	11	—	—	dB	
Return Loss† (75 Ω):					ETS 300 166: 1993
51 kHz to 102 kHz	7	—	—	dB	
102 kHz to 3.072 MHz	9	—	—	dB	

* In accordance with the line circuitry described (see Line Circuitry on page 50), measured at the transformer secondary.

† Using Lucent transformer 2795D or 2795C and components in Table 30.

Jitter Attenuator

A selectable jitter attenuator is provided for narrow-bandwidth jitter transfer function applications. When placed in the LIU receive path, the jitter attenuator provides narrow-bandwidth jitter filtering for line synchronization. The jitter attenuator can also be placed in the transmit path to provide clock smoothing for applications such as synchronous/asynchronous demultiplexers. In these applications, TCLK will have an instantaneous frequency that is higher than the data rate, and some periods of TCLK are suppressed (gapped) in order to set the average long-term TCLK frequency to within the transmit line rate specification. The jitter attenuator will smooth the gapped clock.

Generated (Intrinsic) Jitter

Generated jitter is the amount of jitter appearing on the output port when the applied input signal has no jitter. The jitter attenuator of this device outputs a maximum of 0.05 Ulp-p intrinsic jitter.

Microprocessor Mode (continued)

Jitter Attenuator (continued)

Jitter Transfer Function

The jitter transfer function describes the amount of jitter that is transferred from the input to the output over a range of frequencies. The jitter attenuator exhibits a single-pole roll-off (20 dB/decade) jitter transfer characteristic that has no peaking and a nominal filter corner frequency (3 dB bandwidth) of less than 4 Hz for DS1 operation and approximately 10 Hz for CEPT operation. Optionally, a lower bandwidth of approximately 1.25 Hz can be selected in CEPT operation by setting JABW0 = 1 (register 12, bit 5) for systems desiring compliance with ETSI-TBR12/13 jitter attenuation requirements. When configured to meet ETSI-TBR12/13, the clock connected to the XCLK input must be ± 20 ppm. For a given frequency, different jitter amplitudes will cause a slight variation in attenuation because of finite quantization effects. Jitter amplitudes of less than approximately 0.2 UI will have greater attenuation than the single-pole roll-off characteristic. The jitter transfer curve is independent of data patterns. Typical jitter transfer curves of the jitter attenuator are given in Figure 11 and Figure 13.

Jitter Accommodation

The minimum jitter accommodation of the jitter attenuator occurs when the XCLK frequency and the input clock's long-term average frequency are at their extreme frequency tolerances. When the jitter attenuator is used in the LIU transmit path, the minimum accommodation is 28 UIp-p at the highest jitter frequency of 15 kHz. Typical receiver jitter accommodation curves including the jitter attenuator in the LIU receive path are given in Figure 10 and Figure 12.

When the jitter attenuator is placed in the data path, a difference between the XCLK/16 frequency and the incoming line rate for receive applications, or the TCLK rate for transmit applications, will result in degraded low-frequency jitter accommodation performance. The peak-to-peak jitter accommodation (JAp-p) for frequencies from above the corner frequency of the jitter attenuator (f_c) to approximately 100 Hz is given by the following equation:

$$J_{Ap-p} = \left(64 - \frac{2(|\Delta f_{xclk} - \Delta f_{data}|)f_{data}}{2\pi f_c} \right) UI$$

where:

f_{data} = 1.544 MHz for DS1 or 2.048 MHz for CEPT;
 for JABW0 = 0, f_c = 3.8 Hz for DS1 or 10 Hz for CEPT,
 and for JABW0 = 1, f_c = 1.25 Hz for CEPT;
 Δf_{xclk} = XCLK tolerance in ppm;
 Δf_{data} = data tolerance in ppm.

Note that for lower corner frequencies, the jitter accommodation is more sensitive to clock tolerance than for higher corner frequencies. When JABW0 = 1 and the jitter attenuator is used in the receive data path, the tolerance on XCLK should be tightened to ± 20 ppm in order to meet the jitter accommodation requirements of TBR12/13 as given in G.823 for line data rates of ± 50 ppm.

Microprocessor Mode (continued)**Jitter Attenuator** (continued)**Jitter Attenuator Enable**

The jitter attenuator is selected using the JAR and JAT bits (register 5, bits 1 and 2) of the microprocessor interface. These control bits are global and affect all four channels unless a given channel is in the power-down mode (PWRDN = 1). Because there is only one attenuator function in the device, selection must be made between either the transmit or receive path. If both JAT and JAR are activated at the same time, the jitter attenuator will be disabled.

Note that the power consumption increases slightly on a per-channel basis when the jitter attenuator is active. If jitter attenuation is selected, a valid XCLK (pin 46) signal must be available.

Jitter Attenuator Receive Path Enable (JAR)

When the jitter attenuator receive bit is set (JAR = 1), the attenuator is enabled in the receive data path between the clock/data recovery and the decoder (see Figure 3 on page 19). Under this condition, the jitter characteristics of the jitter attenuator apply for the receiver. The receive path will then exhibit the jitter characteristics shown in Figure 10 through Figure 13. If CDR = 0 (register 5, bit 0), the JAR bit is ignored because clock recovery will be disabled.

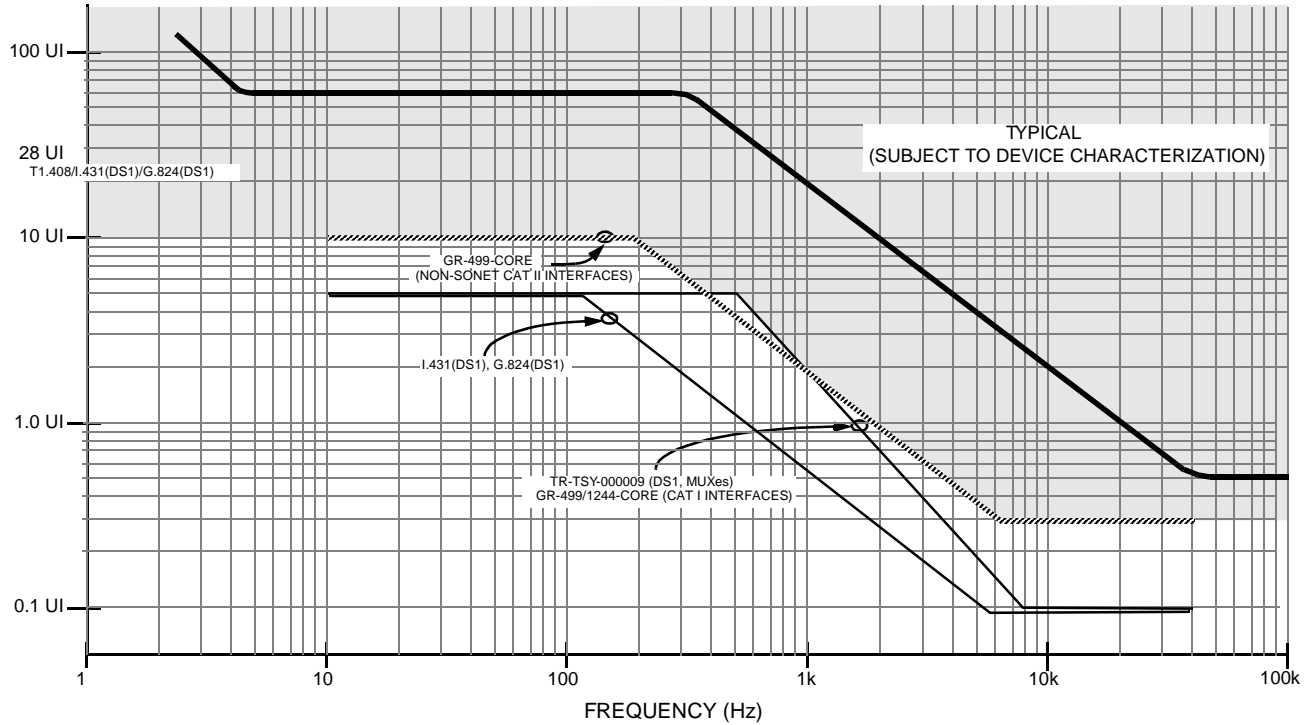
Jitter Attenuator Transmit Path Enable (JAT)

When the jitter attenuator transmit bit is set (JAT = 1), the attenuator is enabled in the transmit data path between the encoder and the pulse-width controller/pulse equalizer (see Figure 3 on page 19). Under this condition, the jitter characteristics of the jitter attenuator apply for the transmitter. When JAT = 0, the encoder outputs bypass the disabled attenuator and directly enter the pulse-width controller/pulse equalizer. The transmit path will then pass all jitter from TCLK to line interface outputs TTIP/TRING.

Microprocessor Mode (continued)

Jitter Attenuator (continued)

Frequency Response Curves



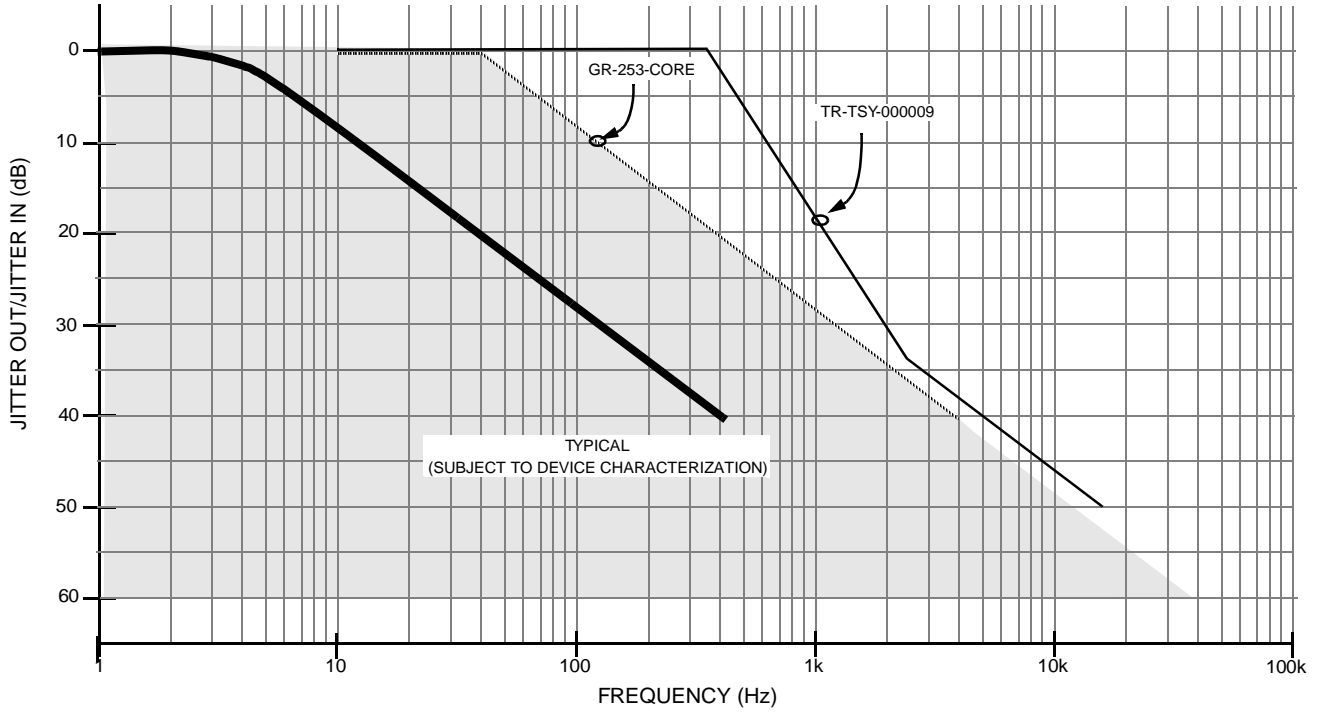
5-5264(F)r.8

Figure 10. DS1/T1 Receiver Jitter Accommodation with Jitter Attenuator

Microprocessor Mode (continued)

Jitter Attenuator (continued)

Frequency Response Curves (continued)



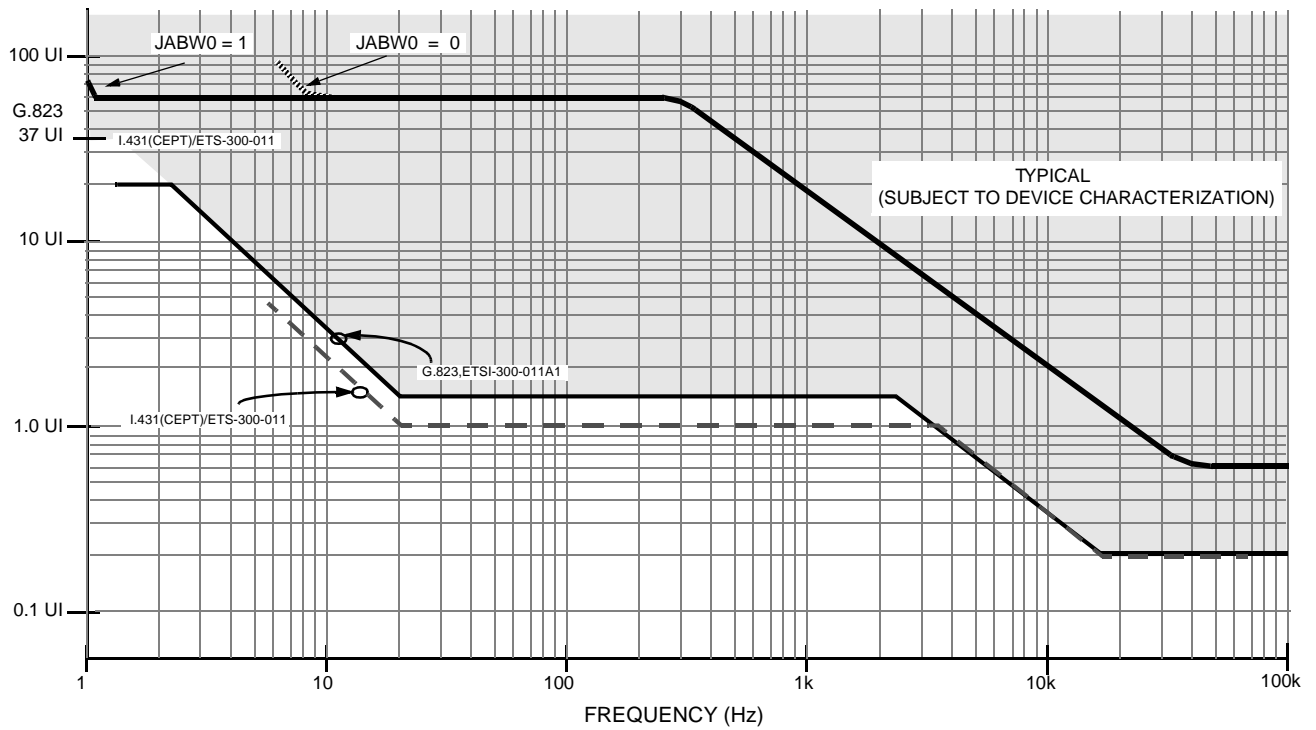
5-5265(F)r.4

Figure 11. DS1/T1 Jitter Transfer of the Jitter Attenuator

Microprocessor Mode (continued)

Jitter Attenuator (continued)

Frequency Response Curves (continued)



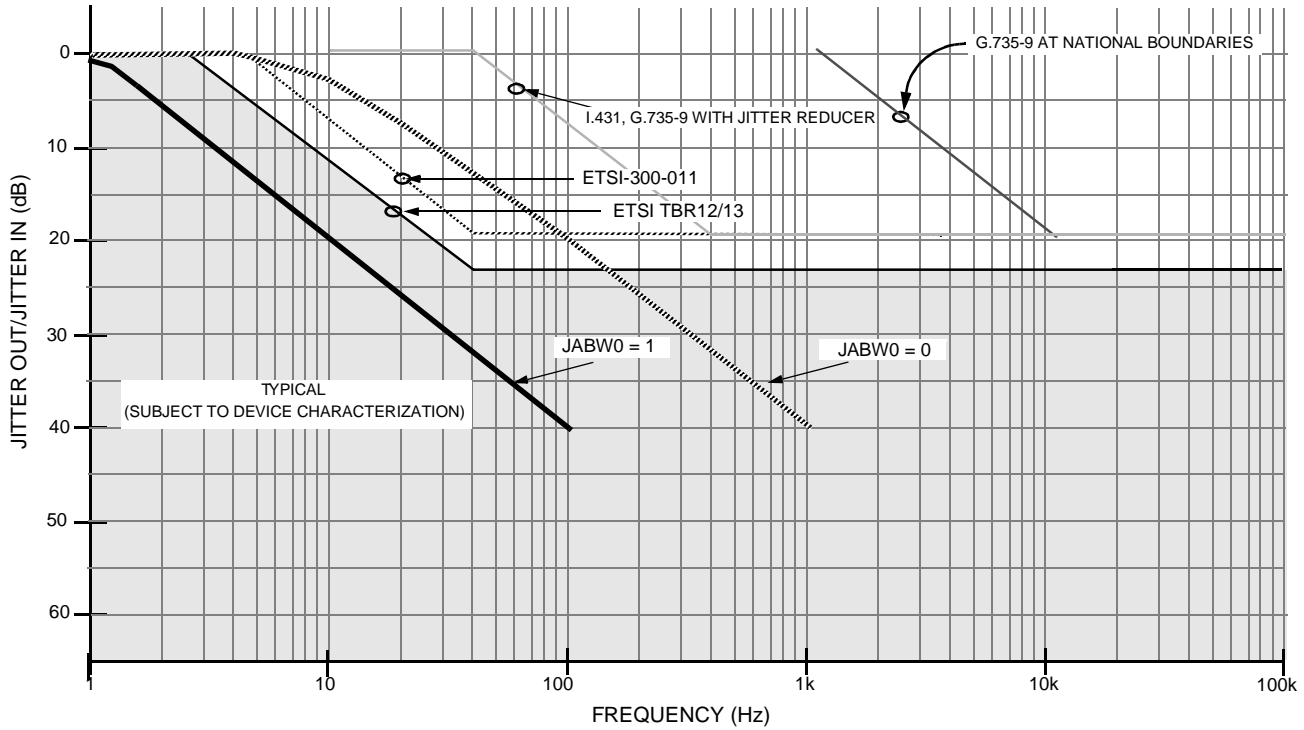
5-5266(F)r.8

Figure 12. CEPT/E1 Receiver Jitter Accommodation with Jitter Attenuator

Microprocessor Mode (continued)

Jitter Attenuator (continued)

Frequency Response Curves (continued)



5-5267(F)r.4

Figure 13. CEPT/E1 Jitter Transfer of the Jitter Attenuator

Microprocessor Mode (continued)

Loopbacks

The device has three independent loopback paths that are activated using LOOPA and LOOPB (registers 6—9, bits 3 and 4) as shown in Table 17. The locations of these loopbacks are illustrated in Figure 3 on page 19.

Table 17. Loopback Control

Operation	Symbol	LOOPA	LOOPB
Normal	—	0	0
Full Local Loopback	FLLOOP*	0	1
Remote Loopback	RLOOP†	1	0
Digital Local Loopback	DLLOOP	1	1

* During the transmit AIS condition, the looped data will be the transmitted data from the system and not the all-ones signal.

† Transmit AIS request is ignored.

Full Local Loopback (FLLOOP)

A full local loopback (FLLOOP) connects the transmit line driver input to the receiver analog front-end circuitry. Valid transmit output data continues to be sent to the network. If the transmit AIS (all-ones signal) is sent to the network, the looped data is not affected. The ALOS alarm continues to monitor the receive line interface signal while DLOS monitors the looped data.

See Digital Loss of Signal (DLOS) Alarm section on page 21 regarding the behavior of the DLOS alarm upon activation of FLLOOP.

Remote Loopback (RLOOP)

A remote loopback (RLOOP) connects the recovered clock and retimed data to the transmitter at the system interface and sends the data back to the line. The receiver front end, clock/data recovery, encoder/decoder (if enabled) jitter attenuator (if enabled), and transmit driver circuitry are all exercised during this loopback. The transmit clock, transmit data, and XAIS inputs are ignored. Valid receive output data continues to be sent to the system interface. This loopback mode is very useful for isolating failures between systems.

See Loss of Transmit Clock (LOTTC) Alarm and Transmit Driver Monitor (TDM) Alarm on page 30 regarding the behavior of the LOTTC and TDM alarms upon activation and deactivation of RLOOP.

Digital Local Loopback (DLLOOP)

A digital local loopback (DLLOOP) connects the transmit clock and data through the encoder/decoder pair to the receive clock and data output pins at the system interface. This loopback is operational if the encoder/decoder pair is enabled or disabled. The AIS signal can be transmitted without any effect on the looped signal.

Microprocessor Mode (continued)**Powerdown (PWRDN)**

Each line interface channel has an independent powerdown mode controlled by PWRDN (registers 6—9, bit 0). This provides power savings for systems that use backup channels. If PWRDN = 1, the corresponding channel will be in a standby mode, consuming only a small amount of power. It is recommended that the alarm registers for the corresponding channel be masked with MASK = 1 (registers 6—9, bit 1) during powerdown mode. If a line interface channel in powerdown mode needs to be placed into service, the channel should be turned on (PWRDN = 0) approximately 5 ms before data is applied.

Reset ($\overline{\text{RESET}}$, SWRESET)

The device provides both a hardware reset ($\overline{\text{RESET}}$; pin 44) and a software reset (SWRESET; register 4, bit 1) that are functionally equivalent. INT (pin 114) is also cleared. The writable microprocessor interface registers are not affected by reset, with the exception of bits in register 4 (see the Global Control Registers (0100, 0101) section). During a reset condition, data transmission will be interrupted.

The reset condition is initiated by setting $\overline{\text{RESET}} = 0$ or SWRESET = 1 for a minimum of 10 μs . After releasing the reset control ($\overline{\text{RESET}} = 1$ or SWRESET = 0), the device will stay in the reset condition for approximately 2.7 ms to ensure stabilization of the PLL. After leaving the reset condition (with $\overline{\text{RESET}} = 1$ or SWRESET = 0), the bits in register 4 will be reset and may need to be restored.

Loss of XCLK Reference Clock (LOXC)

The LOXC output (pin 45) is active when the XCLK reference clock (pin 46) is absent. The LOXC flag is asserted a maximum of 16 μs after XCLK disappears, and deasserts immediately after detecting the first clock edge of XCLK.

During the LOXC alarm condition, the clock recovery and jitter attenuator functions are automatically disabled. Therefore, if CDR = 1 and/or JAR = 1, the RCLK, RPD, RND, and DLOS outputs will be unknown. If CDR = 0, there will be no effect on the receiver. If the jitter attenuator is enabled in the transmit path (JAT = 1) during this alarm condition, then a Loss of Transmit Clock alarm, LOTC = 1, will also be indicated.

In-Circuit Testing and Driver High-Impedance State ($\overline{\text{ICT}}$)

The function of the $\overline{\text{ICT}}$ input (pin 43) is determined by the ICTMODE bit (register 4, bit 3). If ICTMODE = 0 and $\overline{\text{ICT}}$ is activated ($\overline{\text{ICT}} = 0$), then all output buffers (TTIP, TRING, RCLK, RPD, RND, LOXC, RDY_ $\overline{\text{DTACK}}$, INT, AD[7:0]) are placed in a high-impedance state. For in-circuit testing, the $\overline{\text{RESET}}$ pin can be used to activate ICTMODE = 0 without having to write the bit. If ICTMODE = 1 and $\overline{\text{ICT}} = 0$, then only the TTIP and TRING outputs of all channels will be placed in a high-impedance state. The TTIP and TRING outputs have a limiting high-impedance capability of approximately 8 k Ω .

LIU Delay Values

The transmit coder has 5 UI delay whether it is in the path or not and whether it is B8ZS or HDB3. Its delay is only removed when in single-rail mode. The remainder of the transmit path has 4.6 UI delay. The receive decoder has 5 UI delay whether it is in the path or not and whether it is B8ZS or HDB3. Its delay is only removed when in single-rail mode or CDR = 0. The AFE (equalizer plus slicer) delay is nearly 0 UI delay. The jitter attenuator delay is nominally 33 UI but can be 2 UI—64 UI depending on the state. The DPLL used for timing recovery has 8 UI delay.

Microprocessor Mode (continued)

Line Encoding/Decoding

Alternate Mark Inversion (AMI)

The default line code used for T1 is alternate mark inversion (AMI). The coding scheme represents a 1 with a pulse or mark on the positive or negative rail and a 0 with no pulse on either rails. This scheme is shown in Table 18.

Table 18. AMI Encoding

Input Bit Stream	1011	0000	0111	1010
AMI Data	-0+-	0000	0+--+	-0+0

The T1 ones density rule requires that in every 24 bits of information to be transmitted, there must be at least three pulses, and no more than 15 zeros may be transmitted consecutively.

AT&T Technical Reference 62411 for digital transmissions requires that in every 8 bits of information, at least one pulse must be present.

T1-Binary 8 Zero Code Suppression (B8ZS)

Clear channel transmission can be accomplished using binary 8 zero code suppression (B8ZS). Eight consecutive zeros are replaced with the B8ZS code. This code consists of two bipolar violations in bit positions 4 and 7 and valid bipolar marks in bit positions 5 and 8. The receiving end recognizes this code and replaces it with the original string of eight zeros. Table 19 shows the encoding of a string of zeros using B8ZS. B8ZS is recommended when ESF format is used.

Table 19. DS1 B8ZS Encoding

Bit Positions	1	2	3	4	5	6	7	8	—	—	—	1	2	3	4	5	6	7	8
Before B8ZS	0	0	0	0	0	0	0	0	1	0	1	0	0	0	0	0	0	0	0
After B8ZS	0	0	0	V	B	0	V	B	B	0	B	0	0	0	V	B	0	V	B

High-Density Bipolar of Order 3 (HDB3)

The line code used for CEPT is described in ITU Rec. G.703 Section 6.1 as high-density bipolar of order 3 (HDB3). HDB3 uses a substitution code that acts on strings of four zeros. The substitute HDB3 codes are 000V and B00V, where V represents a violation of the bipolar rule and B represents as inserted pulse conforming to the AMI rule defined in ITU Rec. G.701, item 9004. The choice of the B00V or 000V is made so that the number of B pulses between consecutive V pulses is odd. In other words, successive V pulses are of alternate polarity so that no direct current (dc) component is introduced. The substitute codes follow each other if the string of zeros continues. The choice of the first substitute code is arbitrary. A line code error is defined as a bipolar violation and consists of two pulses of the same polarity that is not defined as one of the two substitute codes. Coding violations are indicated as bipolar violations. An example is shown in Table 20.

Table 20. ITU HDB3 Coding and DCPAT Binary Coding

Input Bit Stream	1011	0000	01	0000	0000	0000	0000
HDB3-Coded Data	1011	000V	01	000V	B00V	B00V	B00V
HDB3-Coded Levels	-0+-	000-	0+	000+	-00-	+00+	-00-

Microprocessor Mode (continued)

Registers

As shown in Table 6 on page 17, the quad LIU registers consist of sixteen 8-bit registers (some of which are reserved). Register 13 is an index register which must contain the value 00 to access the other 15 LIU registers.

Registers 0 and 1 are the alarm registers used for storing the various device alarm status and are read only. All other registers are read/write. Registers 2 and 3 contain the individual mask bits for the alarms in registers 0 and 1. Registers 4 and 5 are designated as the global control registers used to set up the functions for all four channels. The channel configuration registers in registers 6 through 9 and register 12 are used to configure the individual channel functions and parameters. Registers 10 and 11 must be cleared by the user after a powerup for proper device operation; CODE3 and CODE4 may be set as desired. (See Table 26 on page 47.) Register 13 is the global index register. Registers 14 and 15 are reserved for proprietary functions and must not be addressed during operation. The following sections describe these registers in detail.

Alarm Registers (0000, 0001)

The bits in the alarm registers represent the status of the transmitter and receiver alarms LOTC, TDM, DLOS, and ALOS for all four channels as shown in Table 21. The alarm indicators are active-high and automatically clear on a microprocessor read if the corresponding alarm condition no longer exists. Persistent alarm conditions will cause the bit to remain set. These are read-only registers.

Table 21. Alarm Registers

Bits	Symbol*	Description
Alarm Register (0)		
0, 4	ALOS[1—2]	Analog loss of signal alarm for channels 1 and 2.
1, 5	DLOS[1—2]	Digital loss of signal alarm for channels 1 and 2.
2, 6	TDM[1—2]	Transmit driver monitor alarm for channels 1 and 2.
3, 7	LOTTC[1—2]	Loss of transmit clock alarm for channels 1 and 2.
Alarm Register (1)		
0, 4	ALOS[3—4]	Analog loss of signal alarm for channels 3 and 4.
1, 5	DLOS[3—4]	Digital loss of signal alarm for channels 3 and 4.
2, 6	TDM[3—4]	Transmit driver monitor alarm for channels 3 and 4.
3, 7	LOTTC[3—4]	Loss of transmit clock alarm for channels 3 and 4.

*The numerical suffix identifies the channel number.

Microprocessor Mode (continued)

Registers (continued)

Alarm Mask Registers (0010, 0011)

The bits in the alarm mask registers in Table 22 allow the microprocessor to selectively mask each channel alarm and prevent it from generating an interrupt. The mask bits correspond to the alarm status bits in the alarm registers and are active-high to disable the corresponding alarm from generating an interrupt. These registers are read/write registers.

Table 22. Alarm Mask Registers

Bits	Symbol*	Description
Alarm Mask Register (2)		
0, 4	MALOS[1—2]	Mask analog loss of signal alarm for channels 1 and 2.
1, 5	MDLOS[1—2]	Mask digital loss of signal alarm for channels 1 and 2.
2, 6	MTDM[1—2]	Mask transmit driver monitor alarm for channels 1 and 2.
3, 7	MLOTTC[1—2]	Mask loss of transmit clock alarm for channels 1 and 2.
Alarm Mask Register (3)		
0, 4	MALOS[3—4]	Mask analog loss of signal alarm for channels 3 and 4.
1, 5	MDLOS[3—4]	Mask digital loss of signal alarm for channels 3 and 4.
2, 6	MTDM[3—4]	Mask transmit driver monitor alarm for channels 3 and 4.
3, 7	MLOTTC[3—4]	Mask loss of transmit clock alarm for channels 3 and 4.

*The numerical suffix identifies the channel number.

Global Control Registers (0100, 0101)

The bits in the global control registers in Table 23 and Table 24 allow the microprocessor to configure the various device functions over all the four channels. All the control bits (with the exception of LOSSTD and ICTMODE) are active-high. These are read/write registers.

Table 23. Global Control Register (0100)

Bits	Symbol	Description
Global Control Register (4)		
0	GMASK	The GMASK bit globally masks all the channel alarms when GMASK = 1, preventing all the receiver and transmitter alarms from generating an interrupt. GMASK = 1 after a device reset.
1	SWRESET	The SWRESET provides the same function as the hardware reset. It is used for device initialization through the microprocessor interface.
2	LOSSTD	The LOSSTD bit selects the conformance protocol for the DLOS receiver alarm function.
3	ICTMODE	The ICTMODE bit changes the function of the $\overline{\text{ICT}}$ pin. ICTMODE = 0 after a device reset.
4—7	HIGHZ[1—4]	A HIGHZ bit is available for each individual channel. When HIGHZ = 1, the TTIP and TRING transmit drivers for the specified channel are placed in a high-impedance state. HIGHZ [1—4] = 1 after a device reset.

Microprocessor Mode (continued)

Registers (continued)

Global Control Registers (0100, 0101) (continued)

Table 24. Global Control Register (0101)

Bits	Symbol	Description
Global Control Register (5)		
0	CDR	The CDR bit is used to enable and disable the clock/data recovery function.
1	JAR	The JAR is used to enable and disable the jitter attenuator function in the receive path. The JAR and JAT control bits are mutually exclusive; i.e., either JAR or the JAT control bit can be set, but not both.
2	JAT	The JAT is used to enable and disable the jitter attenuator function in the transmit path. The JAT and JAR control bits are mutually exclusive; i.e., either JAT or the JAR control bit should be set, but not both.
3	CODE	The CODE bit is used to enable the B8ZS/HDB3 zero substitution coding. It is used in conjunction with the DUAL bit and is valid only for single-rail operation.
4	DUAL	The DUAL bit is used to select single or dual-rail mode of operation.
5	ALM	The ALM bit selects the transmit and receive data polarity (i.e., active-low or active-high). The ALM and ACM bits are used together to determine the transmit and receive data retiming modes.
6	ACM	The ACM bit selects the positive or negative edge of the receive clock (RCLK [1—4]) for receive data retiming. The ACM and ALM bits are used together to determine the transmit and receive data retiming modes.
7	LOSSD	The LOSSD bit selects the shutdown function for the digital loss of signal alarm (DLOS).

Channel Configuration and Control Registers (0110—1001, 1011, 1100)

The control bits in the channel configuration registers in Table 25 are used to select equalization, loopbacks, AIS generation, channel alarm masking, and the channel powerdown mode for each channel (1—4). The PWRDN[1—4], MASK[1—4], and XAIS[1—4] bits are active-high. These are read/write registers.

Control bits for zero substitution coding for channels 1—4 are listed in Table 26 and Table 27.

Table 25. Channel Configuration Registers (0110—1001)

Bits	Symbol*	Description†
Channel Configuration Registers (6—9)		
0	PWRDN[1—4]	The PWRDN bit powers down a channel when not used.
1	MASK[1—4]	The MASK bit masks all interrupts for the channel.
2	XAIS[1—4]	The XAIS bit enables transmission of an all-ones signal to the line interface.
3	LOOPB[1—4]	The LOOPB and LOOPA bits select the channel loopback modes.
4	LOOPA[1—4]	
5	EQC[1—4],	The EQC, EQB, and EQA bits select the type of service (DS1 or CEPT) and the associated transmitter cable equalization/termination impedances.
6	EQB[1—4],	
7	EQA[1—4]	

* A numerical suffix identifies the channel number.

† Channel suffix not shown in the description.

Microprocessor Mode (continued)

Registers (continued)

Channel Configuration and Control Registers (0110—1001, 1011, 1100) (continued)

Table 26. Channel Configuration Register (1011)

Bits	Symbol*	Description
Channel Configuration Register (11)		
0—3	—	Reserved. Write to 0.
4	CODE4	The CODE4 bit selects B8ZS/HDB3 encoding (transmit) and decoding (receive) in channel 4.
5	—	Reserved. Write to 0.
6	CODE3	The CODE3 bit selects B8ZS/HDB3 encoding (transmit) and decoding (receive) in channel 3.
7	—	Reserved. Write to 0.

* A numerical suffix identifies the channel number.

Table 27. Control Register (1100)

Bit	Symbol*	Description
Control Register (12)		
0	ALTIMER	The ALTIMER bit is used to select the time required to declare ALOS. ALTIMER = 0 selects 1 ms—2.6 ms. ALTIMER = 1 selects 10 bit—255 bit periods.
1	RCVAIS	The RCVAIS bit selects the shutdown function for the receiver during analog loss of signal alarm (ALOS). RCVAIS operates in conjunction with the LOSSD bit.
2	PFLALM	The PFLALM prevents the DLOS alarm from occurring during FLLOOP activation.
3	PRLALM	The PRLALM prevents the LOTC alarm from occurring during RLOOP activation/deactivation.
4	PHIZALM	The PHIZALM prevents the TDM alarm from occurring when the driver is in a high-impedance state.
5	JABW0	The JABW0 bit selects the lower bandwidth jitter attenuator option in CEPT mode.
6	CODE2	The CODE2 bit selects B8ZS/HDB3 encoding (transmit) and decoding (receive) in channel 2.
7	CODE1	The CODE1 bit selects B8ZS/HDB3 encoding (transmit) and decoding (receive) in channel 1.

* A numerical suffix identifies the channel number.

Microprocessor Mode (continued)

XCLK Reference Clock

The device requires an externally applied clock, XCLK (pin 46), for the clock and data recovery function and the jitter attenuation option. XCLK must be a continuously active (i.e., ungapped, unjittered, and unswitched) and an independent reference clock such as from an external system oscillator or system clock for proper operation. It must not be derived from any recovered line clock (i.e., from RCLK or any synthesized frequency of RCLK).

XCLK may be supplied in one of four formats; 16x DS1, DS1, 16x CEPT, or CEPT. The format is selected globally for the device by CLKS (pin 117) and CLKM (pin 116).

CLKS determines the relationship between the primary line data rate and the clock signal applied to XCLK. For CLKS = 0, a clock at 16x the primary line data rate clock (24.704 MHz for DS1 and 32.768 MHz for CEPT) must be applied to XCLK. For CLKS = 1, a primary line data rate clock (1.544 MHz for DS1 and 2.048 MHz for CEPT) must be applied to XCLK.

The CLKS pin has an internal pull-down resistor allowing the pin to be left open, i.e., a no connect, in applications using a 16x reference clock. The CLKS pin must be pulled up to VDD for applications using a primary line data rate clock.

CLKM determines whether the clock synthesizer is operating in CEPT or DS1 mode when XCLK is a primary line data rate clock. For CLKM = 0, the clock synthesizer operates in DS1 mode (1.544 MHz). For CLKM = 1, the clock synthesizer operates in CEPT mode (2.048 MHz). The CLKM pin is ignored when CLKS = 0.

The CLKM pin has an internal pull-down resistor allowing the pin to be left open, i.e., a no connect, in applications using a DS1 line rate reference clock. The CLKM pin must be pulled up to VDD for applications using a CEPT line data rate clock.

16x XCLK Reference Clock

The specifications for XCLK using a 16x reference clock are defined in Table 28. The 16x reference clock is selected when CLKS = 0.

Table 28. XCLK (16x, CLKS = 0) Timing Specifications

Parameter	Value			Unit
	Min	Typ	Max	
Frequency:				
DS1	—	24.704	—	MHz
CEPT	—	32.768	—	MHz
Range*,†	-100	—	100	ppm
Duty Cycle	40	—	60	%

* When JABW0 = 1 and the jitter attenuator is used in the receive data path, the tolerance on XCLK should be tightened to ±20 ppm in order to meet the jitter accommodation requirements of TBR12/13 as given in G.823 for line data rates of ±50 ppm.

† If XCLK is used as the source for AIS (see Alarm Indication Signal Generator (XAIS) on page 30), it must meet the nominal transmission specifications of 1.544 MHz ± 32 ppm for DS1 (T1) or 2.048 MHz ± 50 ppm for CEPT (E1).

Microprocessor Mode (continued)

XCLK Reference Clock (continued)

Primary Line Rate XCLK Reference Clock and Internal Reference Clock Synthesizer

In some applications, it is more desirable to provide a reference clock at the primary data rate. In such cases, the LIU can utilize an internal 16x clock synthesizer allowing the XCLK pin to accept a primary data rate clock. The specifications for XCLK using a primary rate reference clock are defined in Table 29.

Table 29. XCLK (1x, CLKS = 1) Timing Specifications

Parameter	Value			Unit
	Min	Typ	Max	
Frequency:				
DS1	—	1.544	—	MHz
CEPT	—	2.048	—	MHz
Range*,†	-100	—	100	ppm
Duty Cycle	40	—	60	%
Rise and Fall Times (10%—90%)	—	—	5	ns

* When JABW0 = 1 and the jitter attenuator is used in the receive data path, the tolerance on XCLK should be tightened to ± 20 ppm in order to meet the jitter accommodation requirements of TBR12/13 as given in G.823 for line data rates of ± 50 ppm.

† If XCLK is used as the source for AIS (see Alarm Indication Signal Generator (XAIS) on page 30), it must meet the nominal transmission specifications of 1.544 MHz \pm 32 ppm for DS1 (T1) or 2.048 MHz \pm 50 ppm for CEPT (E1).

The data rate reference clock and the internal clock synthesizer are selected when CLKS = 1. In this mode, a valid and stable data rate reference clock must be applied to the XCLK pin before and during the time a hardware reset is activated (RESET = 0). The reset must be held active for a minimum of two data rate clock periods to ensure proper resetting of the clock synthesizer circuit. Upon the deactivation of the reset pin (RESET = 1), the LIU will extend the reset condition internally for approximately $1/2(2^{12} - 1)$ line clock periods, or 1.3 ms for DS1 and 1 ms for CEPT after the hardware reset pin has become inactive, allowing the clock synthesizer additional time to settle. No activity such as microprocessor read/write should be performed during this period. The device will be operational 2.7 ms after the deactivation of the hardware reset pin. Issuing an LIU software restart (LIU_REG2 bit 5 (RESTART) = 1) does not impact the clock synthesizer circuit.

Power Supply Bypassing

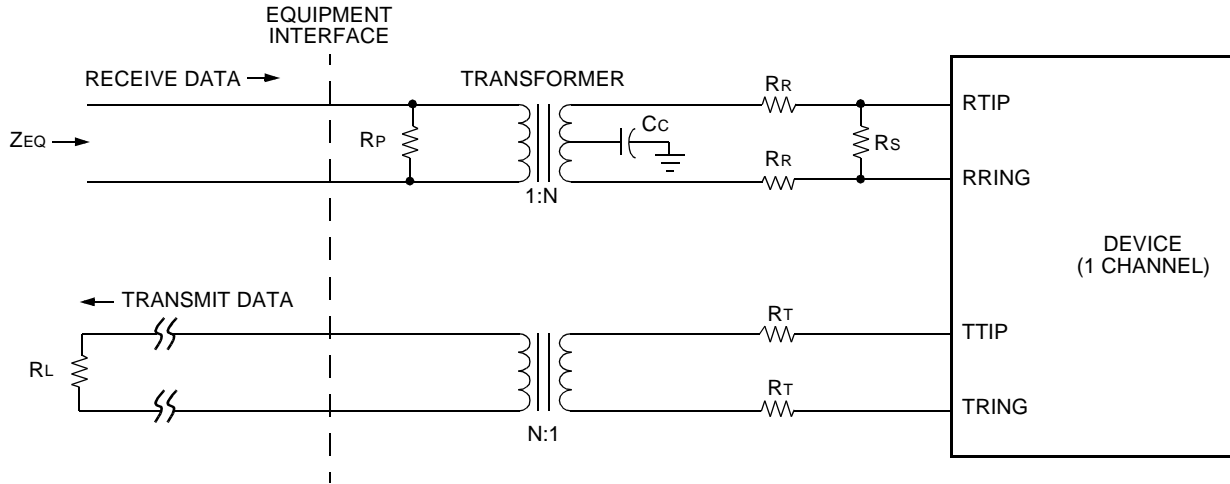
External bypassing is required for all channels. A 1.0 μ F capacitor must be connected between VDDX and GNDX. In addition, a 0.1 μ F capacitor must be connected between VDDD and GNDD, and a 0.1 μ F capacitor must be connected between VDDA and GNDA. Ground plane connections are required for GNDX, GNDD, and GNDA. Power plane connections are also required for VDDX and VDDD. The need to reduce high-frequency coupling into the analog supply (VDDA) may require an inductive bead to be inserted between the power plane and the VDDA pin of every channel.

Capacitors used for power supply bypassing should be placed as close as possible to the device pins for maximum effectiveness.

Microprocessor Mode (continued)

Line Circuitry

The transmit and receive tip/ring connections provide a matched interface to the cable (i.e., terminating impedance matches the characteristic impedance of the cable). The diagram in Figure 14 shows the appropriate external components to interface to the cable for a single transmit/receive channel. The component values are summarized in Table 30, based on the specific application.



5-3693(F).d

Figure 14. Line Termination Circuitry

Table 30. Termination Components by Application

Resistor tolerances are $\pm 1\%$. Transformer turns ratio tolerances are $\pm 2\%$.

Symbol	Name	Cable Type				Unit
		DS1 ¹ Twisted Pair	CEPT 75 Ω ² Coaxial		CEPT 120 Ω ⁴ Twisted Pair	
			Option 1 ³	Option 2 ⁴		
CC	Center Tap Capacitor	0.1	0.1	0.1	0.1	μF
RP	Receive Primary Impedance	200	200	200	200	Ω
RR	Receive Series Impedance	71.5	28.7	59	174	
RS	Receive Secondary Impedance	113	82.5	102	205	
Z _{EQ}	Equivalent Line Termination	100	75	75	120	
	Tolerance	± 4	± 4	± 4	± 4	
RT	Transmit Series Impedance	0	26.1	15.4	26.1	Ω
RL	Transmit Load Termination ⁵	100	75	75	120	
N	Transformer Turns Ratio	1.14	1.08	1.36	1.36	—

1. Use Lucent 2795B transformer.
2. For CEPT 75 Ω applications, Option 1 is recommended over Option 2 for lower device power dissipation. Option 2 increases power dissipation by 13 mW per channel when driving 50% ones data. Option 2 allows for the use of the same transformer as in CEPT 120 Ω applications.
3. Use Lucent 2795D transformer.
4. Use Lucent 2795C transformer.
5. A $\pm 5\%$ tolerance is allowed for the transmit load termination, RL.

Microprocessor Mode (continued)

Absolute Maximum Ratings

Stresses in excess of the absolute maximum ratings can cause permanent or latent damage to the device. These are absolute stress ratings only. Functional operation of the device is not implied at these or any other conditions in excess of those given in the operational sections of this device specification. Exposure to absolute maximum ratings for extended periods can adversely affect device reliability.

Table 31. Absolute Maximum Ratings

Parameter	Min	Max	Unit
dc Supply Voltage	-0.5	6.5	V
Storage Temperature	-65	125	°C
Maximum Voltage (digital pins) with Respect to V _{DD}	—	0.5	V
Minimum Voltage (digital pins) with Respect to G _{ND}	-0.5	—	V
Maximum Allowable Voltages (RTIP[1—4], RRING[1—4]) with Respect to V _{DD}	—	0.5	V
Minimum Allowable Voltages (RTIP[1—4], RRING[1—4]) with Respect to G _{ND}	-0.5	—	V

Handling Precautions

Although protection circuitry has been designed into this device, proper precautions should be taken to avoid exposure to electrostatic discharge (ESD) during handling and mounting. Lucent employs a human-body model (HBM) and charged-device model (CDM) for ESD-susceptibility testing and protection design evaluation. ESD voltage thresholds are dependent on the circuit parameters used in the defined model. No industry-wide standard has been adopted for the CDM. However, a standard HBM (resistance = 1500 Ω, capacitance = 100 pF) is widely used and, therefore, can be used for comparison purposes. The HBM ESD threshold presented here was obtained by using these circuit parameters.

Table 32. ESD Threshold Voltage

Device	Model	Voltage
TLIU04C1	HBM	TBD
	CDM (corner pins)	TBD
	CDM (noncorner pins)	TBD

Operating Conditions

Table 33. Recommended Operating Conditions

Parameter	Symbol	Min	Typ	Max	Unit
Ambient Temperature	T _A	-40	—	85	°C
Power Supply	V _{DD}	4.75	5.0	5.25	V

Microprocessor Mode (continued)

Power Requirements

The majority of the power used by the TLIU04C1 device is used by the line drivers. Therefore, the power is very dependent on data pattern and signal amplitude. The signal amplitude is a function of the transmit equalization in DS1 mode. When configured for greater cable loss, the signal amplitude is greater at the output drivers, and thus uses more power. For this reason, the power specification of Table 34 are given for various conditions. The typical specification is for a quasi-random signal and the maximum specification is for a mark (all ones) pattern. The power also varies somewhat for DS1 versus CEPT, so figures are given for both.

Table 34. Power Consumption

Parameter	Power		Unit
	Typ	Max	
CEPT	TBD	TBD	mW
DS1	TBD	TBD	mW
DS1 with Max Eq.	TBD	TBD	mW

Power dissipation is the amount of power dissipated in the device. It is equal to the power drawn by the device minus the power dissipated in the line.

Table 35. Power Dissipation

Parameter	Power		Unit
	Typ	Max	
CEPT	TBD	TBD	mW
DS1	TBD	TBD	mW
DS1 with Max Eq.	TBD	TBD	mW

Electrical Characteristics

Table 36. Logic Interface Characteristics

Note: The following internal resistors are provided: 50 kΩ pull-up on the $\overline{IC\overline{T}}$ and $\overline{RESE\overline{T}}$ pins, 50 kΩ pull-down on the CLKS and CLKM pins, and 100 kΩ pull-up on the \overline{CS} , and XCLK pins. This requires these input pins to sink no more than 20 μA. The device uses TTL input and output buffers; all buffers are CMOS-compatible.

Parameter	Symbol	Test Conditions	Min	Max	Unit
Input Voltage:		—			
Low	V _{IL}		GND _D	0.8	V
High	V _{IH}		2.1	V _{DDD}	V
Input Leakage	I _L	—	—	10	μA
Output Voltage:					
Low	V _{OL}	I _{OL} = -5.0 mA	GND _D	0.4	V
High	V _{OH}	I _{OH} = 5.0 mA	V _{DDD} - 0.5	V _{DDD}	V
Input Capacitance	C _I	—	—	3.0	pF
Load Capacitance*	C _L	—	—	50	pF

* 100 pF allowed for AD[7:0] (pins 75—82).

Microprocessor Mode (continued)

Microprocessor Interface Timing

The I/O timing specifications for the microprocessor interface are given in Table 37 and shown in Figures 15—22. The microprocessor interface pins use CMOS I/O levels. All outputs, except the address/data bus AD[7:0], are rated for a capacitive load of 50 pF. The AD[7:0] outputs are rated for a 100 pF load. The minimum read and write cycle time is 200 ns for all device configurations.

Table 37. Microprocessor Interface I/O Timing Specifications

Symbol	Configuration	Parameter	Setup (ns) (Min)	Hold (ns) (Min)	Delay (ns) (Max)
t1	Modes 1 and 2	\overline{AS} Asserted Width	—	10	—
t2		Address Valid to \overline{AS} Asserted	10	—	—
t3		\overline{AS} Asserted to Address Invalid	—	10	—
t4		\overline{CS} Asserted to \overline{AS} Asserted	10	—	—
t5		R/W Valid to \overline{DS} Asserted	5	—	—
t6		\overline{AS} Asserted to \overline{DS} Asserted	30	—	—
t7		\overline{CS} Asserted to \overline{DTACK} High	—	—	25
t8		\overline{DS} Asserted to \overline{DTACK} Asserted	—	—	20
t9		\overline{DS} Asserted to Data Valid	—	—	50
t10		\overline{DS} Deasserted to \overline{CS} Deasserted	—	15	—
t11		\overline{DS} Deasserted to R/W Invalid	—	5	—
t12		\overline{DS} Deasserted to \overline{DTACK} Deasserted	—	—	20
t13		\overline{CS} Deasserted to \overline{DTACK} High Impedance	—	—	10
t14		\overline{DS} Deasserted to Data Invalid	—	5	—
t15		R/W Valid to \overline{DS} Asserted	5	—	—
t16		\overline{AS} Asserted to \overline{DS} Asserted	10	—	—
t17		\overline{DS} Asserted Width	—	5	—
t18		Data Valid to \overline{DS} Asserted	5	—	—
t19		\overline{DS} Deasserted to Data Invalid	—	10	—
t20		\overline{DS} Asserted to \overline{DTACK} Asserted	—	—	20
t21		Address Valid to \overline{AS} Asserted	10	—	—
t22		\overline{AS} Asserted to Address Invalid	—	10	—

The read and write timing diagrams for all four microprocessor interface modes are shown in Figures 15—22.

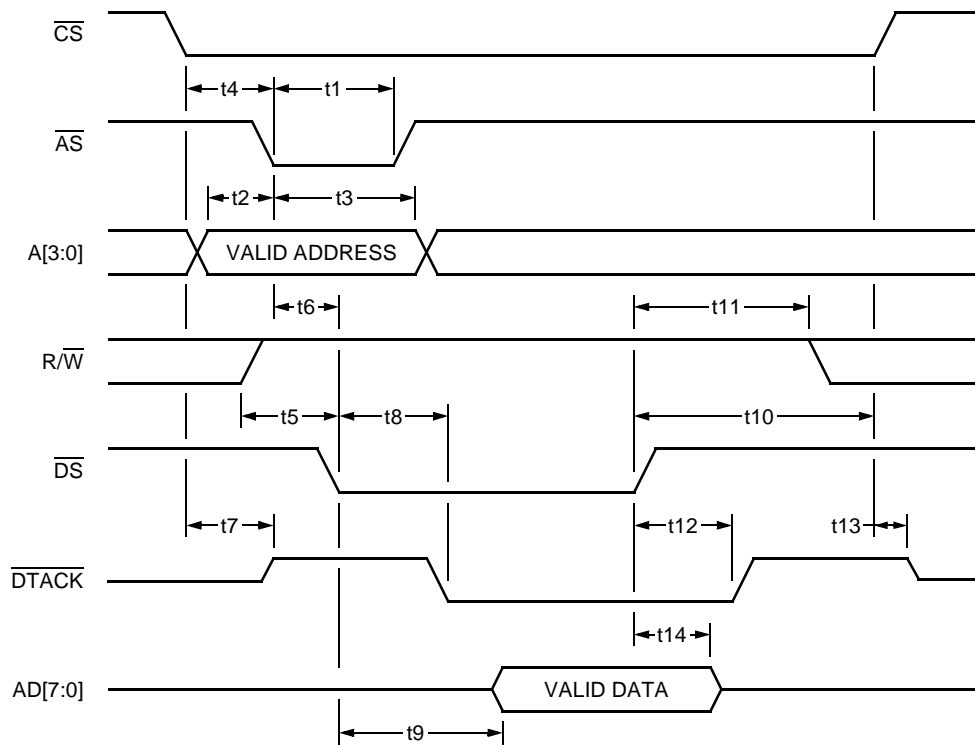
Microprocessor Mode (continued)**Microprocessor Interface Timing** (continued)**Table 37. Microprocessor Interface I/O Timing Specifications** (continued)

Symbol	Configuration	Parameter	Setup (ns) (Min)	Hold (ns) (Min)	Delay (ns) (Max)
t23	Modes 3 and 4	ALE Asserted Width	—	10	—
t24		Address Valid to ALE Asserted	10	—	—
t25		ALE Asserted to Address Invalid	—	10	—
t26		CS Asserted to ALE Asserted	10	—	—
t27		ALE Asserted to $\overline{\text{RD}}$ Asserted	30	—	—
t28		CS Asserted to RDY Low	—	—	20
t29		Falling Edge of MPCLK to RDY Asserted	—	—	25
t30		$\overline{\text{RD}}$ Asserted to Data Valid	—	—	50
t31		$\overline{\text{RD}}$ Deasserted to Data Invalid	—	5	—
t32		$\overline{\text{RD}}$ Deasserted to RDY Deasserted	—	—	20
t33		$\overline{\text{RD}}$ Deasserted to $\overline{\text{CS}}$ Deasserted	—	15	—
t34		CS Deasserted to RDY High Impedance	—	—	10
t35		ALE Asserted to $\overline{\text{WR}}$ Asserted	10	—	—
t36		$\overline{\text{WR}}$ Asserted Width	—	5	—
t37		Data Valid to $\overline{\text{WR}}$ Asserted	5	—	—
t38		$\overline{\text{WR}}$ Deasserted to Data Invalid	—	10	—
t39		$\overline{\text{WR}}$ Deasserted to RDY Deasserted	—	—	20
t40		$\overline{\text{WR}}$ Deasserted to $\overline{\text{CS}}$ Deasserted	—	15	—
t41		Rising Edge of MPCLK to RDY Asserted	—	—	25
t42		Address Valid to ALE Asserted	10	—	—
t43	ALE Asserted to Address Invalid	—	10	—	

The read and write timing diagrams for all four microprocessor interface modes are shown in Figures 15—22.

Microprocessor Mode (continued)

Microprocessor Interface Timing (continued)



5-7192(F)r.2

Figure 15. Mode 1—Read Cycle Timing (MPMODE = 0, MPMUX = 0)

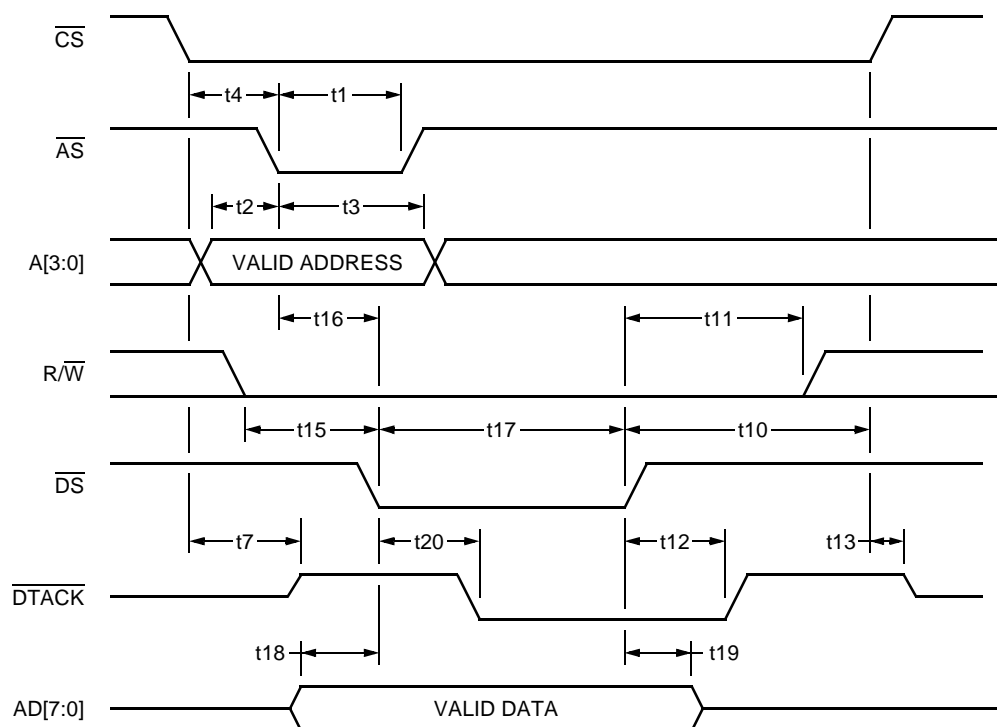
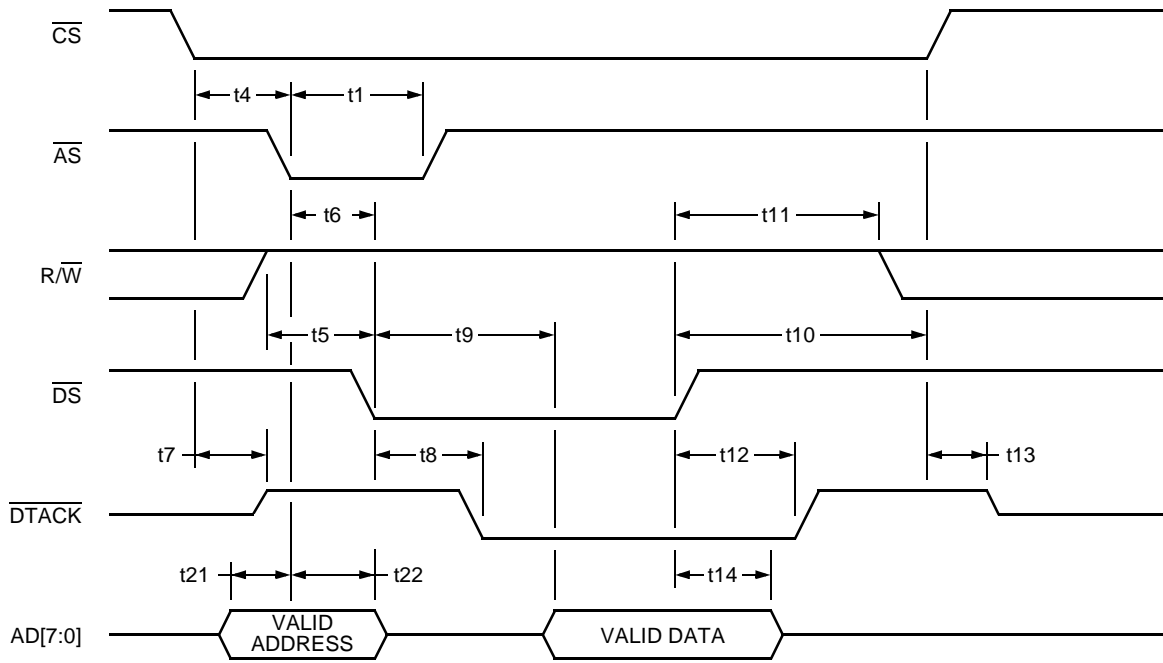


Figure 16. Mode 1—Write Cycle Timing (MPMODE = 0, MPMUX = 0)

5-7193(F)r.3

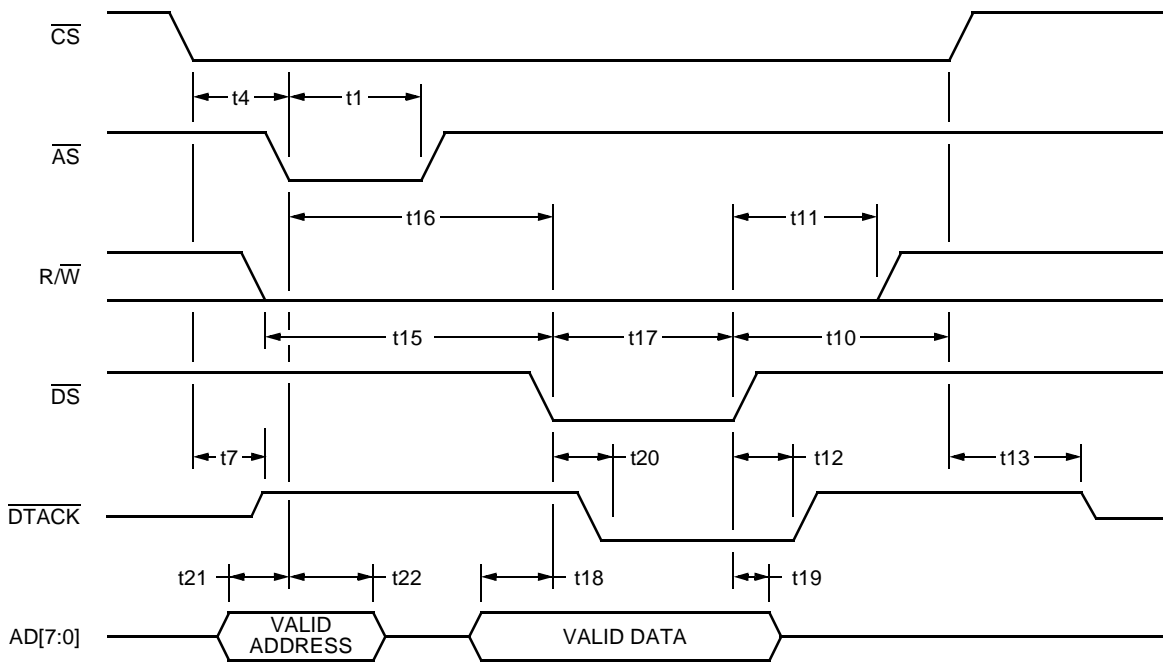
Microprocessor Mode (continued)

Microprocessor Interface Timing (continued)



5-7194(F)r.3

Figure 17. Mode 2—Read Cycle Timing (MPMODE = 0, MPMUX = 1)

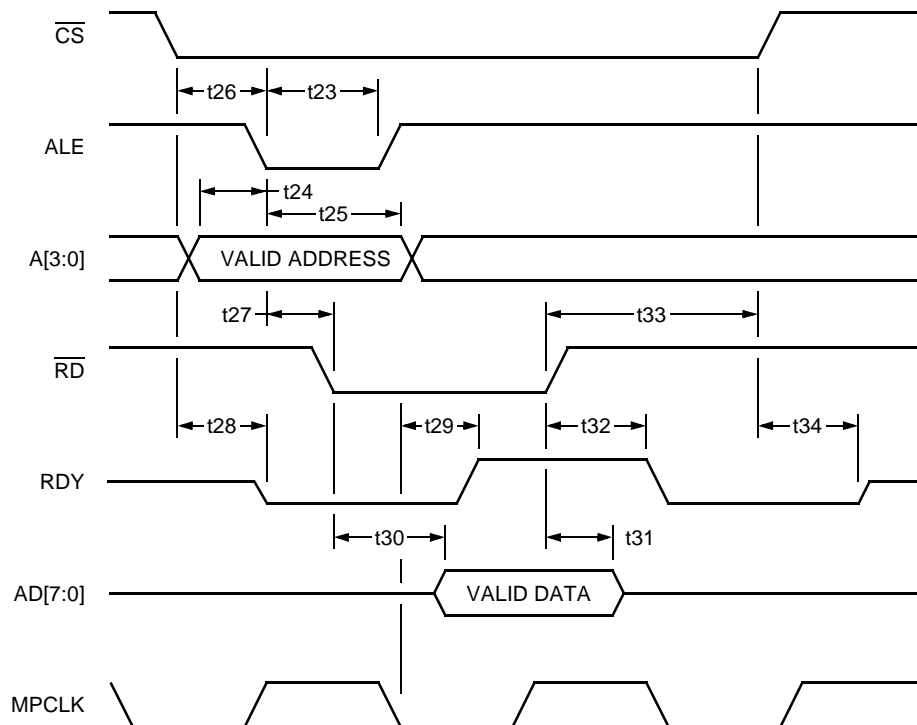


5-7195(F)r.4

Figure 18. Mode 2—Write Cycle Timing (MPMODE = 0, MPMUX = 1)

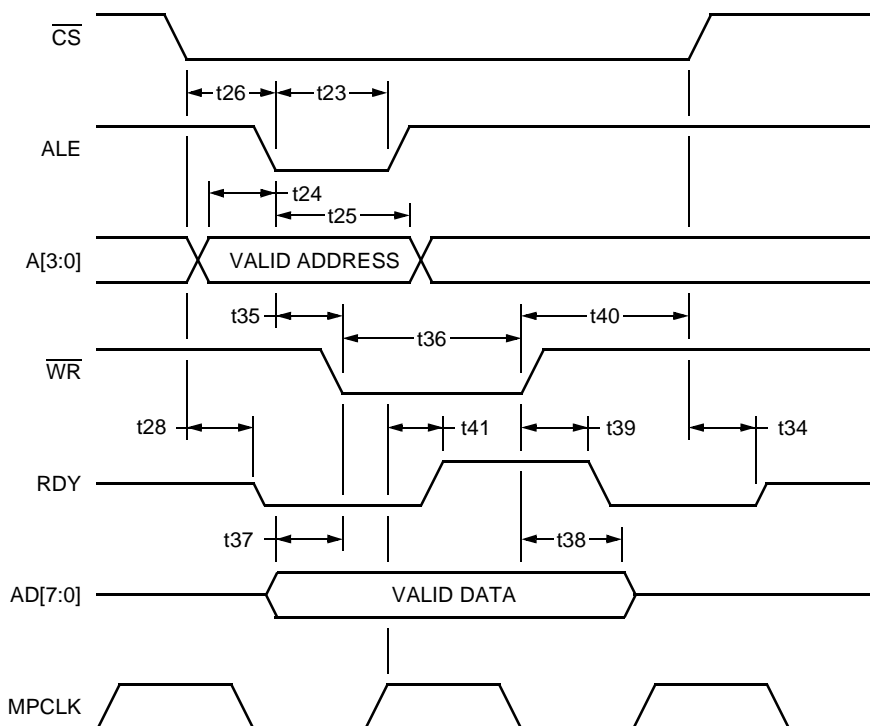
Microprocessor Mode (continued)

Microprocessor Interface Timing (continued)



5-7196(F)r.3

Figure 19. Mode 3—Read Cycle Timing (MPMODE = 1, MPMUX = 0)

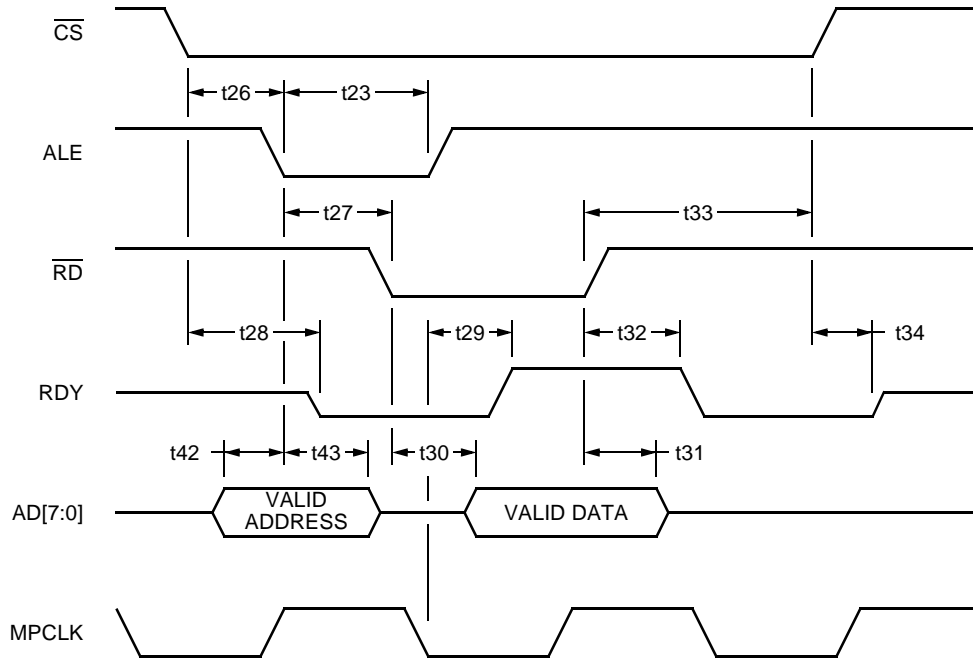


5-7197(F)r.3

Figure 20. Mode 3—Write Cycle Timing (MPMODE = 1, MPMUX = 0)

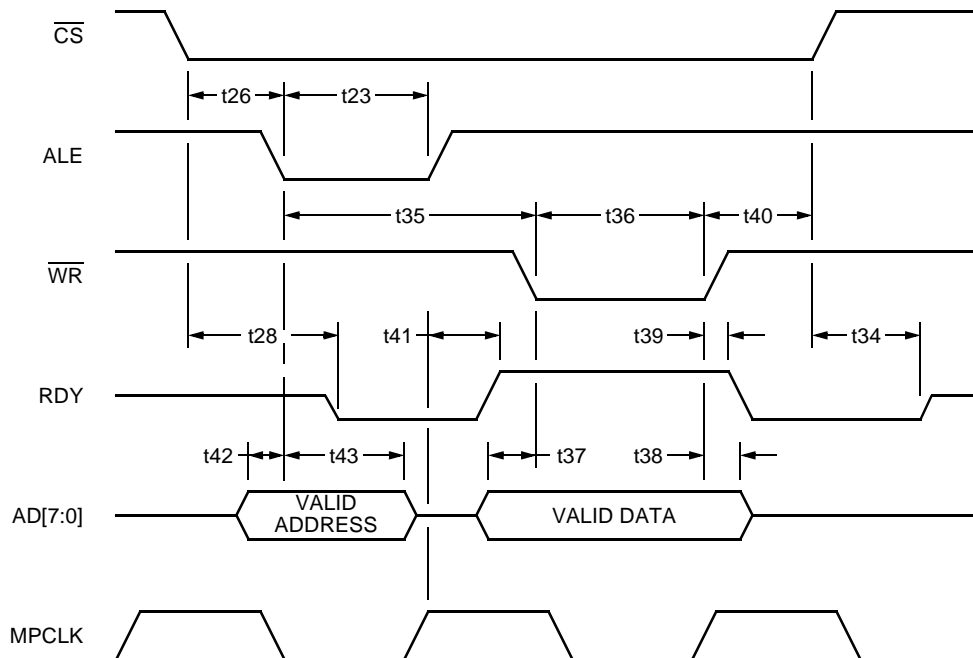
Microprocessor Mode (continued)

Microprocessor Interface Timing (continued)



5-7198(F)r.2

Figure 21. Mode 4—Read Cycle Timing (MPMODE = 1, MPMUX = 1)



5-7199(F)r.5

Figure 22. Mode 4—Write Cycle Timing (MPMODE = 1, MPMUX = 1)

Microprocessor Mode (continued)

Data Interface Timing

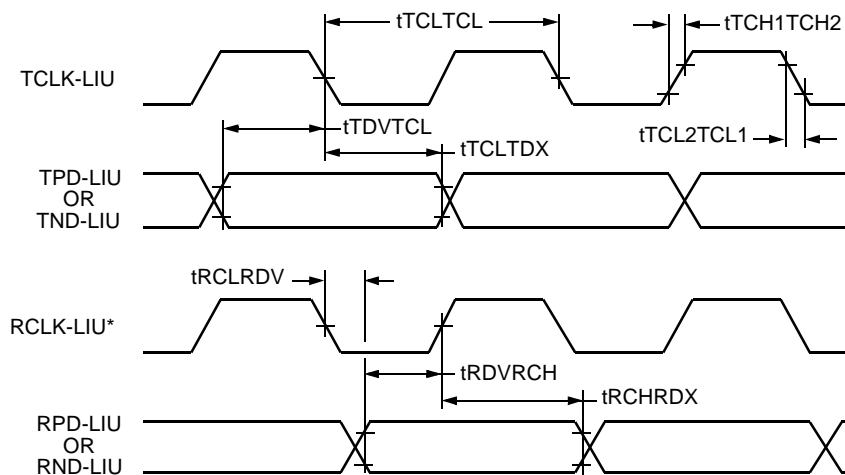
Table 38. Data Interface Timing

Note: The digital system interface timing is shown in Figure 23 for ACM = 0. If ACM = 1, then the RCLK signal in Figure 23 will be inverted.

Symbol	Parameter	Min	Typ	Max	Unit
tTCLTCL	Average TCLK Clock Period:	—	647.7	—	ns
	DS1 CEPT	—	488.0	—	ns
tTDC	TCLK Duty Cycle*	30	—	70	%
	TCLK Minimum High/Low Time†	100	—	—	ns
tTDVTCL	Transmit Data Setup Time	50	—	—	ns
tTCLTDX	Transmit Data Hold Time	40	—	—	ns
tTCH1TCH2	Clock Rise Time (10%/90%)	—	—	40	ns
tTCL2TCL1	Clock Fall Time (90%/10%)	—	—	40	ns
tRCHRCL	RCLK Duty Cycle	45	50	55	%
tRDVRCH	Receive Data Setup Time	140	—	—	ns
tRCHRDX	Receive Data Hold Time	180	—	—	ns
tRCLR DV	Receive Propagation Delay	—	—	40	ns

* Refers to each individual bit period for JAT = 0 applications.

† Refers to each individual bit period for JAT = 1 applications using a gapped TCLK.



* Invert RCLK for ACM = 1.

5-1156(F).br.3

Figure 23. Interface Data Timing (ACM = 0)

Direct Logic Control Mode

Overview

The TLIU04C1 device has the ability to operate in either a microprocessor mode or a direct logic control mode. The CMODE pin is used to determine the operating mode. To configure the device for direct logic control mode, the CMODE pin is pulled low.

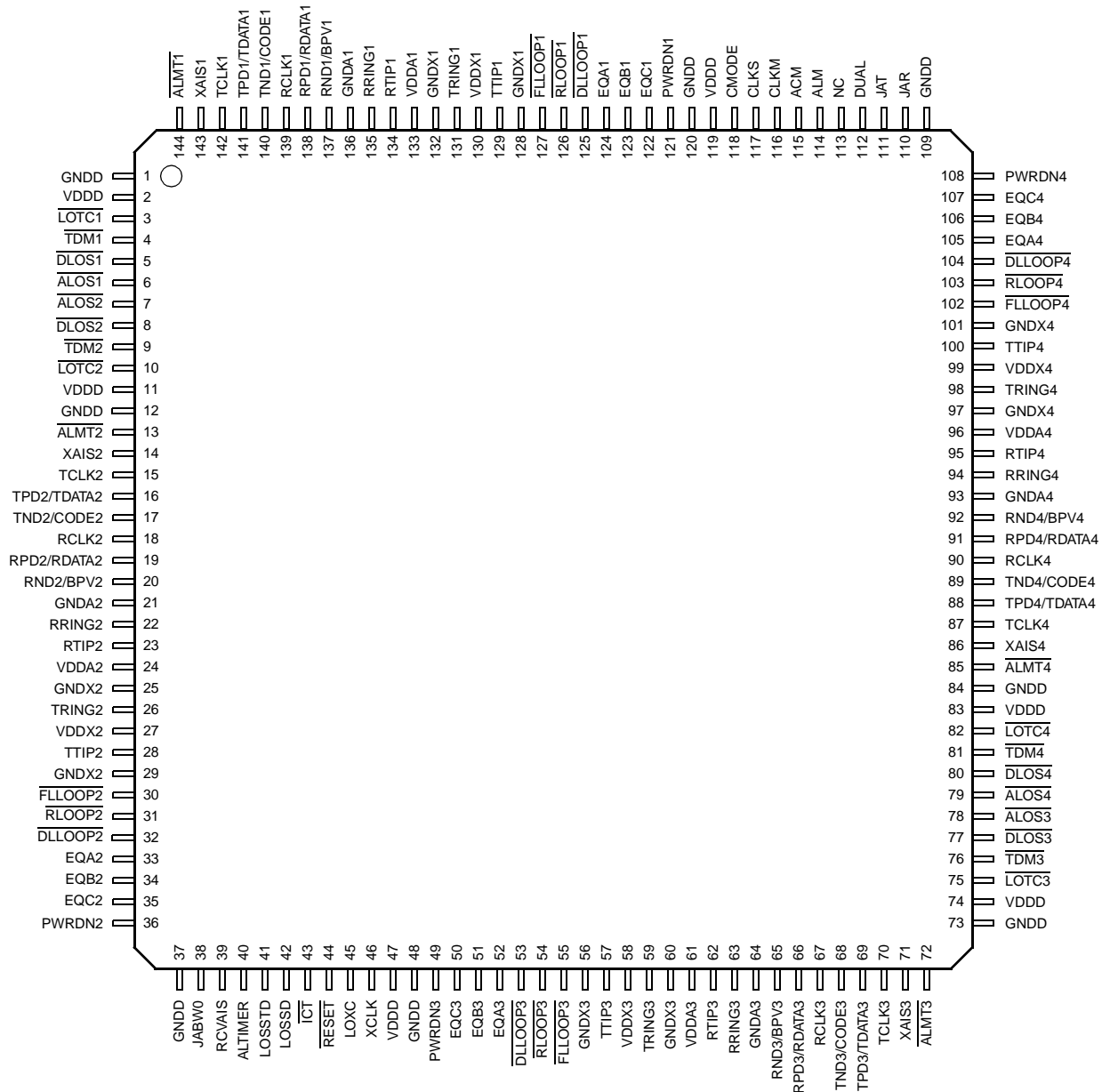
The device is equipped with direct logic control of the line interface configuration and options so that connection to a microprocessor is not required. Control of the various functions is accomplished by providing a logic high or low at the control pins. Functions such as E1/T1 modes, equalizer settings, diagnostic loopbacks, test modes, system interface timing and polarity, and standards compliance options are controlled in this manner. Alarm conditions are also indicated by output levels directly on device pins.

Device Overview

The TLIU04C1 is a four-channel device. The LIUs convert bipolar line data pulses into logic level terminal data, with options for timing for jitter attenuation, equalization, zero bit coding, loopbacks, and other functions.

Direct Logic Control Mode (continued)

Pin Information



5-3684(F).b

Figure 24. TLIU04C1 Direct Logic Control Mode Pin Diagram

Direct Logic Control Mode (continued)**Pin Information** (continued)**Table 39. Pin Descriptions**

Pin	Symbol	Type*	Qty	Name/Description
117	CLKS	I ^d	1	XCLK Select. This pin selects either a 16x line rate clock for XCLK (CLKS = 0) or a primary line rate clock for XCLK (CLKS = 1).
116	CLKM	I ^d	1	XCLK Mode. This pin sets the mode when using a primary line rate clock for XCLK. CEPT: CLKM = 1 DS1: CLKM = 0
130, 27, 58, 99	VDDX[1—4]	P	4	Power Supply for Line Drivers. The device requires a 5 V ± 5% power supply on these pins.
128, 132, 25, 29, 56, 60, 97, 101	GNDX[1—4]	P	8	Ground Reference for Line Drivers.
129, 28, 57, 100	TTIP[1—4]	O	4	Transmit Bipolar Tip. Positive bipolar transmit data to the analog line interface.
131, 26, 59, 98	TRING[1—4]	O	4	Transmit Bipolar Ring. Negative bipolar transmit data to the analog line interface.
133, 24, 61, 96	VDDA[1—4]	P	4	Power Supply for Analog Circuitry. The device requires a 5 V ± 5% power supply on these pins.
136, 21, 64, 93	GND A[1—4]	P	4	Ground Reference for Analog Circuitry.
134, 23, 62, 95	RTIP[1—4]	I	4	Receive Bipolar Tip. Positive bipolar receive data from the analog line interface.
135, 22, 63, 94	RRING[1—4]	I	4	Receive Bipolar Ring. Negative bipolar receive data from the analog line interface.
142, 15, 70, 87	TCLK[1—4]	I	4	Transmit Clock. DS1 (1.544 MHz ± 32 ppm) or CEPT (2.048 MHz ± 50 ppm) clock signal from the terminal equipment.
141, 16, 69, 88	TPD/ TDATA[1—4]	I ^d	4	Transmit Data Positive Rail/Transmit Data. If dual = 0, this pin is used as 1.544 Mb/s or 2.048 Mb/s unipolar input data. If dual = 1, this pin is used as the transmit data positive rail.
140, 17, 68, 89	TND/ CODE[1—4]	I ^d	4	Transmit Data Negative Rail/Substitution Code Enable. If dual = 0, this pin is set to insert a B8ZS/HDB3 substitution code (per EQA, EQB, EQC) on the transmit side and to remove the substitution code on the receive side. If dual = 1, this pin is used as the transmit data negative rail.
139, 18, 67, 90	RCLK[1—4]	O	4	Receive Clock. This signal is the receive clock recovered from the line data. The duty cycle of RCLK is 50% ± 5%.
138, 19, 66, 91	RPD/ RDATA[1—4]	O	4	Receive Data Positive Rail/Receive Data. If dual = 0, this pin is used as 1.544 Mb/s or 2.048 Mb/s unipolar output data with a 100% duty cycle. If dual = 1, this pin is used to receive data positive rail.

* I = input, O = output, I^u indicates an input with internal pull-up; I^d indicates an input with internal pull-down, P = power. Resistance value of all internal pull-ups or pull-downs is 50 kΩ, unless otherwise specified.

Direct Logic Control Mode (continued)

Pin Information (continued)

Table 39. Pin Descriptions (continued)

Pin	Symbol	Type*	Qty	Name/Description
137, 20, 65, 92	RND/ BPV[1—4]	O	4	Receive Data Negative Rail/Bipolar Violation. If dual = 0 (single-rail mode), this pin will be asserted (1 for ALM = 0, 0 for ALM = 1) for one bit period after detection of a bipolar coding violation on the receive analog data (RTIP, RRING). If dual = 1, this pin is used as the receive data negative rail.
6, 7, 78, 79	$\overline{\text{ALOS}}[1—4]$	O	4	Analog Loss of Signal (Active-Low). This pin is asserted low when the data signal at the receiver inputs falls below a threshold level. The pin is deasserted high when the signal rises above another, slightly higher threshold. The difference between these threshold levels provides hysteresis to prevent alarm chatter.
5, 8, 77, 80	$\overline{\text{DLOS}}[1—4]$	O	4	Digital Loss of Signal (Active-Low). Guarantees the receive signal quality as defined in the appropriate ANSI, Bellcore, and ITU standards. During DS1 operation, $\overline{\text{DLOS}}$ is asserted low if 100 or more consecutive zeros occur in the receive data stream. In CEPT operation, $\overline{\text{DLOS}}$ is asserted low when 255 or more consecutive zeros occur in the receive data stream. The pin is deasserted high when a ones density greater than 12.5% is detected over the 100 or 255 pulse positions.
4, 9, 76, 81	$\overline{\text{TDM}}[1—4]$	O	4	Transmit Drive Monitor (Active-Low). Transmit driver monitor detects two conditions: a nonfunctional link due to faults on the primary of the transmit transformer, and periods of no data transmission. $\overline{\text{TDM}} = 0$ for active alarm.
3, 10, 75, 82	$\overline{\text{LOTC}}[1—4]$	O	4	Loss of Transmit Clock (Active-Low). $\overline{\text{LOTC}} = 0$ when there is a loss of any of the clocks in the transmit path including the TCLK input, RCLK in remote loopback, jitter attenuator output clock (when enabled), or the pulse-width controller clock.
45	LOXC	O	1	Loss of XCLK. This pin is asserted high when the XCLK signal is not present.
144, 13, 72, 85	$\overline{\text{ALMT}}[1—4]$	I ^u	4	Alarm Test Enable (Active-Low). For $\overline{\text{ALMT}} = 0$, alarm pins are forced as follows; $\overline{\text{DLOS}} = 0$, $\overline{\text{ALOS}} = 0$, $\overline{\text{TDM}} = 0$, $\overline{\text{LOTC}} = 0$, and $\text{BPV} = \text{activate state per ALM}$. $\overline{\text{LOXC}}$ is forced high if $\overline{\text{ALMT}}$ is asserted for all four channels. $\overline{\text{ALMT}}$ does not affect data transmission.
127, 30, 55, 102	$\overline{\text{FLLOOP}}[1—4]$	I ^u	4	Full Local Loopback Enable (Active-Low). [†] This pin is cleared for a full local loopback (transmit converter output to receive converter input). Most of the transmit and receive analog circuitry is exercised in this loopback.
126, 31, 54, 103	$\overline{\text{RLOOP}}[1—4]$	I ^u	4	Remote Loopback Enable (Active-Low). [†] This pin is cleared for a remote loopback (DSX to DSX). In remote loopback, a high on XAIS inserts the AIS signal on the transmit side.
125, 32, 53, 104	$\overline{\text{DLLOOP}}[1—4]$	I ^u	4	Digital Local Loopback Enable (Active-Low). [†] This pin is cleared for a digital local loopback. Only the transmit and receive digital sections are exercised in this loopback.

* I = input, O = output, I^u indicates an input with internal pull-up; I^d indicates an input with internal pull-down, P = power. Resistance value of all internal pull-ups or pull-downs is 50 kΩ, unless otherwise specified.

† Only one loopback mode can be enabled at a time. Enabling more than one results in all being deactivated.

Direct Logic Control Mode (continued)**Pin Information** (continued)**Table 39. Pin Descriptions** (continued)

Pin	Symbol	Type*	Qty	Name/Description
124, 33, 52, 105	EQA[1—4]	I ^d	4	Equalizer Control A. One of three control pins for selecting transmit equalizers and DS1/CEPT mode. See Table 45.
123, 34, 51, 106	EQB[1—4]	I ^d	4	Equalizer Control B. One of three control pins for selecting transmit equalizers and DS1/CEPT mode. See Table 45.
122, 35, 50, 107	EQC[1—4]	I ^d	4	Equalizer Control C. One of three control pins for selecting transmit equalizers and DS1/CEPT mode. See Table 45.
46	XCLK	I ^u	1	Reference Clock. A valid reference clock must be provided at this input. XCLK must be an independent, continuously active, 50% duty cycle, ungapped, and unjittered clock to guarantee device performance specifications. XCLK has an internal 100 k Ω pull-up resistor. See Table 54.
143, 14, 71, 86	XAIS[1—4]	I ^d	4	Transmit AIS. This pin is set to insert the alarm indication signal (all ones) on the transmit line interface. This control has priority over a remote loopback if both are operated simultaneously.
39	RCVAIS	I ^d	1	Receive AIS. This pin selects the shutdown function for the receiver during analog and digital loss of signal. RCVAIS operates in conjunction with LOSSD. See Table 42.
42	LOSSD	I ^d	1	Loss of Signal Shutdown Control. This pin selects the shutdown function for the receiver during analog and digital loss of signal. LOSSD operates in conjunction with RCVAIS. See Table 42.
41	LOSSTD	I ^d	1	Digital Loss of Signal Standard Selection. The LOSSTD pin selects the standard that is followed to deactivate a digital loss of signal in DS1 mode. For LOSSTD = 0, \overline{DLOS} is deactivated when the average ones density is at least 12.5% over 100 contiguous pulse positions (T1M1.3/93-005, ITU-T G775). For LOSSTD = 1, an additional constraint of less than 15 consecutive zeros is required along with the 12.5% ones density (TR-TSY-000009). The LOSSTD pin has no effect in CEPT mode, which requires 12.5% ones density over 255 contiguous pulse positions (ITU-T G.775).
40	ALTIMER	I ^d	1	Analog Loss of Signal Timer. This pin selects the time required to detect an analog loss of signal. For ALTIMER = 0, \overline{ALOS} is declared between 1 ms and 2.6 ms after losing signal as required by I.431 (3/93) and ETSI-300-233 (5/94). For ALTIMER = 1, \overline{ALOS} is declared between 10 and 255 bit symbol periods after losing signal as required by G.775 (11/95).
121, 36, 49, 108	PWRDN[1—4]	I ^d	4	Powerdown Enable. When this pin is activated (PWRDN = 1), the circuitry of the channel is put into a standby mode in which minimal power is consumed.

* I = input, O = output, I^u indicates an input with internal pull-up; I^d indicates an input with internal pull-down, P = power. Resistance value of all internal pull-ups or pull-downs is 50 k Ω , unless otherwise specified.

Direct Logic Control Mode (continued)

Pin Information (continued)

Table 39. Pin Descriptions (continued)

Pin	Symbol	Type*	Qty	Name/Description
111	JAT	I ^d	1	Jitter Attenuator in the Transmit Path. Setting JAT = 1 enables the jitter attenuator in the transmit path for all four channels. Setting JAT = 0 disables the jitter attenuator in the transmit path. If both JAT = 1 and JAR = 1, the jitter attenuator is disabled.
110	JAR	I ^d	1	Jitter Attenuator in the Receive Path. Setting JAR = 1 enables the jitter attenuator in the receive path for all four channels. Setting JAR = 0 disables the jitter attenuator in the receive path. If both JAT = 1 and JAR = 1, the jitter attenuator is disabled.
118	CMODE	I ^d	1	Chip Mode. This pin sets the chip mode for either direct logic mode or microprocessor mode. Microprocessor: CMODE = 1 Direct Logic: CMODE = 0
38	JABW0	I ^d	1	Jitter Attenuator Bandwidth Adjust. Setting this pin selects the lower bandwidth jitter attenuator option in CEPT mode, lowering the bandwidth from 10 Hz to 1.25 Hz. When this option is used, XCLK must be ±20 ppm. See Table 54.
114	ALM	I ^d	1	Alternate Logic Mode (ALM). If ALM = 0, the receiver circuitry (and transmit input) assumes the data to be active-low polarity. If ALM = 1, the data is assumed to be active-high polarity.
115	ACM	I ^d	1	Alternate Clock Mode (ACM). The alternate clock mode control pin selects the positive or negative clock edge of the receive clock (RCLK) for receiver data retiming. For ACM = 1, the receive data is retimed on the positive edge of the receive clock. When ACM = 0, the receive data is retimed on the negative edge of the receive clock. (This does not affect transmit clock timing.) See Figure 38.
112	DUAL	I ^d	1	Dual-Rail Mode Select. This pin is cleared (DUAL = 0) for single-rail mode and set (DUAL = 1) for dual-rail mode.
44	RESET	I ^u	1	Hardware Reset (Active-Low). If RESET is forced low, all internal states in the transceiver paths are reset and data flow through each channel will be momentarily disrupted. The RESET pin must be held low for a minimum of 1 ms.
43	ICT	I ^u	1	High-Impedance Mode (Active-Low). When ICT = 0, all output buffers (TTIP, TRING, RCLK, RPD, RND, LOXC, LOTC, TDM, DLOS, ALOS) are placed in a high-impedance state. TTIP and TRING outputs have a limited high-impedance capability of approximately 8 kΩ.
2, 11, 47, 74, 83, 119	VDDD	P	6	Power Supply for Digital Circuitry.
1, 12, 37, 48, 73, 84, 109, 120	GNDD	P	8	Ground Reference for Digital Circuitry.
113	NC	—	1	No Connect.

* I = input, O = output, I^u indicates an input with internal pull-up; I^d indicates an input with internal pull-down, P = power. Resistance value of all internal pull-ups or pull-downs is 50 kΩ, unless otherwise specified.

Direct Logic Control Mode (continued)**System Interface Pin Options**

The system interface can be configured to operate in a number of different modes. The different modes change the functionality of the system interface pins, as shown in Table 40. Dual-rail or single-rail operation is possible using the DUAL control pin (pin 112). Dual-rail mode is enabled when DUAL = 1; single-rail mode is enabled when DUAL = 0. In dual-rail operation, data received from the line interface on RTIP and RRING appears on RPD and RND at the system interface and data transmitted from the system interface on TPD and TND appears on TTIP and TRING at the line interface. In single-rail operation, data received from the line interface on RTIP and RRING appears on RDATA at the system interface and data transmitted from the system interface on TDATA appears on TTIP and TRING at the line interface.

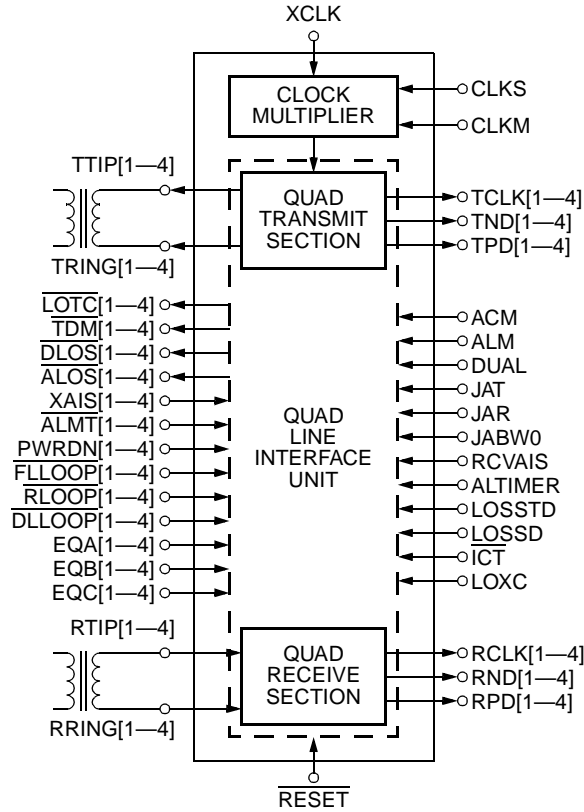
In single-rail mode only, TND is not needed for data and is used for controlling the B8ZS/HDB3 encoding/decoding. The coding may be selected by pulling the CODE pins high. RND is also not needed for data in single-rail mode, and is used for indicating bipolar violations. When a coding violations occurs, the BPV pin is asserted according to the ALM setting (pin 114).

Table 40. System Interface Pin Mapping

Configuration	RPD/RDATA	RND/BPV	TPD/TDATA	TND/CODE
Single-rail mode (DUAL = 0)	RDATA	BPV	TDATA	CODE
Dual-rail mode (DUAL = 1)	RPD	RND	TPD	TND

Direct Logic Control Mode (continued)

Block Diagrams



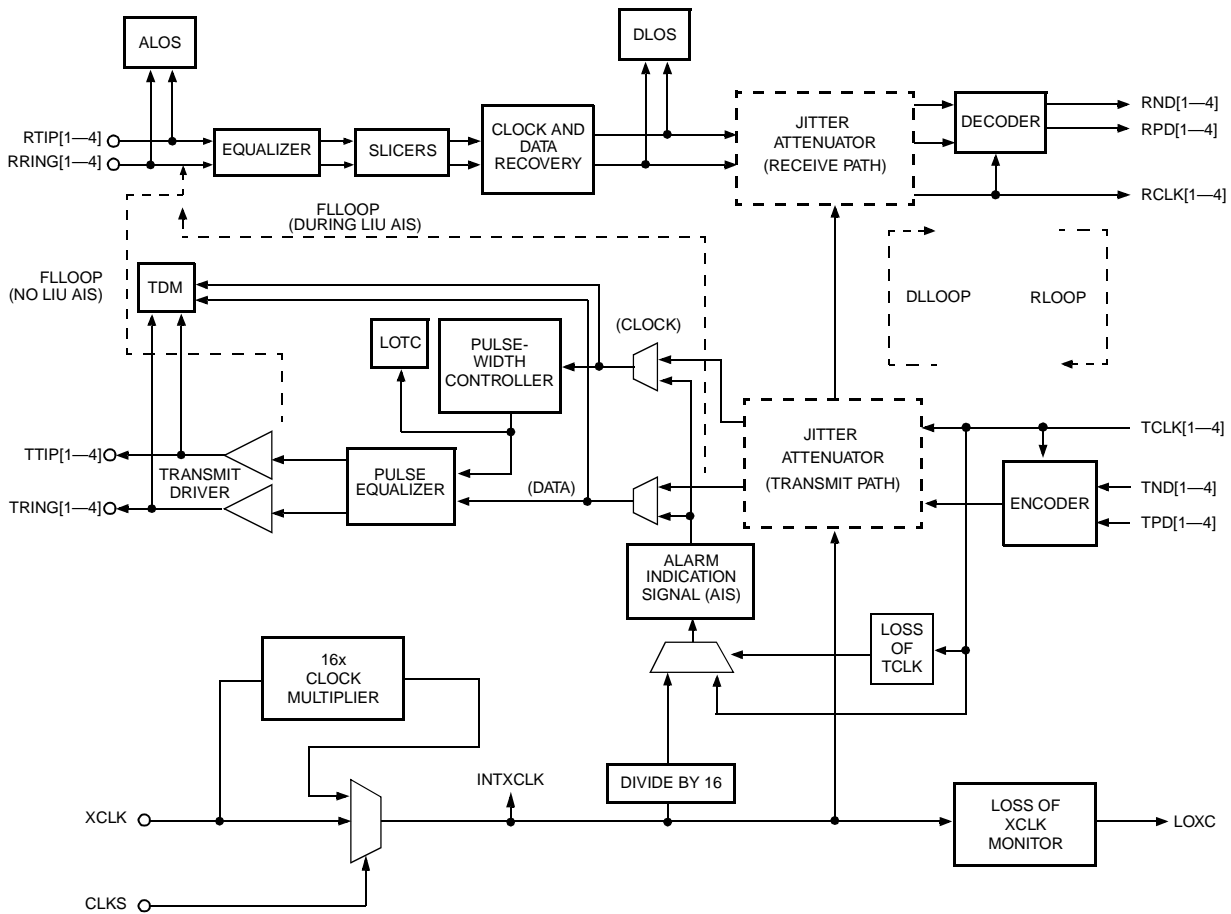
5-7823(F)

Figure 25. TLIU04C1 Block Diagram, CMODE = 0 (Direct Logic Mode)

Direct Logic Control Mode (continued)

Block Diagrams (continued)

The line interface block diagram is shown in Figure 26. For illustration purposes, only one of the four on-chip line interfaces is shown. Pin names that apply to all four channels are followed by the designation [1—4].



5-4556(F).er.3

Figure 26. Block Diagram of the Quad Line Interface Unit (Single Channel)

Direct Logic Control Mode (continued)

Data Recovery

The receive line interface unit (RLIU) format is bipolar alternate mark inversion (AMI). The data rate tolerance is ± 130 ppm (DS1) or ± 80 ppm (CEPT). The receiver first restores the incoming data and detects analog loss of signal. Subsequent processing is optional and depends on the programmable device configuration established with the use of the direct logic control pins. The RLIU utilizes an equalizer to operate on line length with up to 15 dB of loss at 772 kHz (DS1) or 13 dB loss at 1.024 MHz (CEPT). The signal is then peak-detected and sliced to produce digital representations of the data.

Clock and data recovery, digital loss of signal, jitter attenuation, and data decoding are performed. The receive digital output format is non-return-to-zero (NRZ) with selectable dual-rail or single-rail system interface.

The clock is recovered by a digital phase-locked loop that uses XCLK as a reference to lock to the data rate component. Because the internal reference clock is a multiple of the received data rate, the RCLK output will always be a valid DS1/CEPT clock that eliminates false-lock conditions. During periods with no receive input signal, the free-run frequency of RCLK is defined to be either $XCLK/16$ or $XCLK$, depending on the state of CLKS. RCLK is always active with a duty-cycle centered at 50%, deviating by no more than $\pm 5\%$. Valid data is recovered within the first few bit periods after the application of XCLK. The delay of the data through the receive circuitry is approximately 1 to 14 bit periods, depending on the CODE configurations. Additional delay is introduced if the jitter attenuator is selected for operation in the receive path (see the LIU Delay Values section, page 89).

Jitter Accommodation and Jitter Transfer Without the Jitter Attenuator

The RLIU is designed to accommodate large amounts of input jitter. The RLIU's jitter performance exceeds the requirements shown in the RLIU Specifications tables (Table 43 and Table 44). Typical receiver performance without the jitter attenuator in the path is shown in Figure 27 through Figure 30. Jitter transfer is independent of input ones density on the line interface.

Receiver Configuration Modes

Clock/Data Recovery Mode (CDR)

The clock/data recovery function in the receive path can be bypassed by setting the \overline{FLLOOP} , \overline{RLOOP} and \overline{DLLOOP} pins for all channels low. Any other combination of the twelve loopback pins results in the clock and data recovery function being enabled and providing a recovered clock (RCLK) with retimed data (RPD/RDATA, RND). If all twelve of the loopback pins are asserted, the clock and data recovery function is disabled, and the RZ data from the slicers is provided over RPD and RND to the system. In this mode, downstream functions selected by the JAR, ACM, and LOSSD pins are ignored.

Zero Substitution Decoding (CODE)

When single-rail operation is selected with $DUAL = 0$, the B8ZS/HDB3 decoding can be selected. $CODE[1-4]$ pulled high selects the B8ZS/HDB3 decoding operation for each individual channel.

Note: Encoding and decoding are not independent. Selecting B8ZS/HDB3 decoding in the receiver selects B8ZS/HDB3 encoding in the transmitter.

When decoding is selected for a given channel, decoded receive data and code violations appear on the RDATA and BPV pins, respectively. If coding is not selected, receive data and any bipolar violations (such as two consecutive ones of the same polarity) appear on the RDATA and BPV pins, respectively.

Alternate Logic Mode (ALM)

The alternate logic mode (ALM) control pin selects the receive and transmit data polarity (i.e., active-high vs. active-low). If $ALM = 0$, the receiver circuitry (and transmit input) assumes the data to be active-low polarity. If $ALM = 1$, the receiver circuitry (and transmit input) assumes the data to be active-high polarity. The ALM control is used in conjunction with the ACM control to determine the receive data retiming mode.

Alternate Clock Mode (ACM)

The alternate clock mode (ACM) control pin selects the positive or negative clock edge of the receive clock (RCLK) for receive data retiming. The ACM control is used in conjunction with the ALM control to determine the receive data retiming modes. If $ACM = 1$, the receive data is retimed on the positive edge of the receive clock. If $ACM = 0$, the receive data is retimed on the negative edge of the receive clock. Note that this control does not affect the timing relationship for the transmitter inputs. See Figure 38 on page 97.

Direct Logic Control Mode (continued)

Receiver Configuration Modes (continued)

RLIU Alarms

Analog Loss of Signal (ALOS) Alarm. An analog signal detector monitors the receive signal amplitude and reports its status on the analog loss of signal alarm pins. An analog loss of signal is indicated if the amplitude at the RRING and RTIP inputs drops more than approximately 18 dB below the nominal signal amplitude. The ALOS alarm condition will clear when the receive signal amplitude returns to greater than 14 dB below normal. In this way, the ALOS circuitry provides 4 dB of hysteresis to prevent alarm chattering.

The time required to detect ALOS is selectable. When ALTIMER = 0, ALOS is declared between 1 ms and 2.6 ms after losing signal as required by I.431(3/93) and ETS-300-233 (5/94). If ALTIMER = 1, ALOS is declared between 10 and 255 bit symbol periods after losing signal as required by G.775 (11/95). The timing is derived from the XCLK clock. The detection time is independent of signal amplitude before the loss condition occurs. Normally, ALTIMER = 1 would be used only in CEPT mode since no T1/DS1 standards require this mode. In T1/DS1 mode, this pin should normally be tied low.

The behavior of the receiver outputs under ALOS conditions depends on the loss shutdown (LOSSD) control pin in conjunction with the receiver AIS (RCVAIS) control pin as described in the Loss Shutdown (LOSSD) and Receiver AIS (RCVAIS) section on page 71.

Digital Loss of Signal (DLOS) Alarm. A digital loss of signal (DLOS) detector guarantees the received signal quality as defined in the appropriate ANSI, Bellcore, and ITU standards. The digital loss of signal alarms are reported on the DLOS alarm pins. During DS1 operation, a digital loss of signal is indicated if 100 or more consecutive zeros occur in the receive data stream. The DLOS condition is deactivated when the average ones density of at least 12.5% is received in 100 contiguous pulse positions. The LOSSTD control bit selects the conformance protocols for the DLOS alarm indication per Table 41. Setting LOSSTD = 1 adds an additional constraint that there are less than 15 consecutive zeros in the DS1 data stream before DLOS is deactivated.

During CEPT operation, DLOS is indicated when 255 or more consecutive zeros occur in the receive data stream. The DLOS indication is deactivated when the average ones density of at least 12.5% is received in 255 contiguous pulse positions. LOSSTD has no effect in CEPT mode.

Table 41. Digital Loss of Signal Standard Select

LOSSTD	DS1 Mode	CEPT Mode
0	T1M1.3/93-005, ITU-T G.775	ITU-T G.775
1	TR-TSY-000009	ITU-T G.775

Direct Logic Control Mode (continued)

Receiver Configuration Modes (continued)

RLIU ALARMS (continued)

Loss Shutdown (LOSSD) and Receiver AIS (RCVAIS). The loss shutdown control pin (LOSSD) acts in conjunction with the receiver AIS (RCVAIS) control pin to place the digital outputs in a predetermined state when a digital loss of signal ($\overline{\text{DLOS}}$) or analog loss of signal ($\overline{\text{ALOS}}$) alarm occurs.

If LOSSD = 0 and RCVAIS = 0, the RND, RPD, and RCLK outputs will be unaffected by the $\overline{\text{DLOS}}$ alarm condition. However, when an ALOS alarm condition exists, the RPD and RND outputs are forced to their inactive state (dependent on ALM state) and the RCLK free runs (based on XCLK frequency).

If LOSSD = 0, RCVAIS = 1, and a $\overline{\text{DLOS}}$ or an $\overline{\text{ALOS}}$ alarm condition exists, the RPD and RND outputs will present an alarm indication signal (AIS, all ones) based on the free-running clock frequency, and the RCLK free runs.

If LOSSD = 1, regardless of the state of RCVAIS, and a $\overline{\text{DLOS}}$ or an $\overline{\text{ALOS}}$ alarm condition exists, the RPD and RND outputs are forced to their inactive state (dependent on ALM state) and the RCLK free runs.

The RND, RPD, and RCLK signals will remain unaffected if any loopback ($\overline{\text{FLLOOP}}$, $\overline{\text{RLOOP}}$, $\overline{\text{DLLOOP}}$) is activated independent of LOSSD and RCVAIS settings.

The LOSSD and RCVAIS behavior is summarized in Table 42.

Table 42. LOSSD and RCVAIS Control Configurations (Not Valid During Loopback Modes)

LOSSD	RCVAIS	ALARM	RPD/RND	RCLK
0	0	$\overline{\text{ALOS}}$	0 if ALM = 1, 1 if ALM = 0	Free Runs
0	0	$\overline{\text{DLOS}}$	Normal Data	Recovered Clock
0	1	$\overline{\text{ALOS}}$	AIS (all ones)	Free Runs
0	1	$\overline{\text{DLOS}}$	AIS (all ones)	Free Runs
1	X	$\overline{\text{ALOS}}$	0 if ALM = 1, 1 if ALM = 0	Free Runs
1	X	$\overline{\text{DLOS}}$	0 if ALM = 1, 1 if ALM = 0	Free Runs

RLIU Bipolar Violation (BPV) Alarm. The bipolar violation (BPV) alarm is used only in the single-rail mode of operation. When B8ZS(DS1)/HDB3(CEPT) coding is not used (i.e., CODE[1—4] = 0), any violations in the receive data (such as two or more consecutive ones on a rail) are indicated on the RND/BPV outputs. When B8ZS(DS1)/HDB3(CEPT) coding is used (i.e., CODE[1—4] = 1), the HDB3/B8ZS code violations are reflected on the RND/BPV outputs.

Direct Logic Control Mode (continued)

DS1 Receiver Specifications

During DS1/T1 operation, the RLIU will perform as specified in Table 43.

Table 43. DS1 RLIU Specifications

Parameter	Min	Typ	Max	Unit	Spec
Analog Loss of Signal:					
Threshold to Assert	17.5	18	23	dB*	I.431
Threshold to Clear	13.5	14	17.5	dB*	—
Hysteresis	—	4	—	dB	—
Time to Assert (ALTIMER = 0)	1.0	—	2.6	ms	I.431
Receiver Sensitivity†	11	15	—	dB	—
Jitter Transfer:					
3 dB Bandwidth	—	3.84	—	kHz	Figure 28 on page 74
Peaking	—	—	0.1	dB	Figure 34 on page 86
Generated Jitter	—	0.04	0.05	Ulp-p	GR-499-CORE ITU-T G.824
Jitter Accommodation	—	—	—	—	Figure 27 on page 73 Figure 33 on page 85
Return Loss‡:					
51 kHz to 102 kHz	14	—	—	dB	—
102 kHz to 1.544 MHz	20	—	—	dB	—
1.544 MHz to 2.316 MHz	16	—	—	dB	—
Digital Loss of Signal:					
Flag Asserted When Consecutive Bit Positions Contain	100	—	—	zeros	ITU-T G.775, T1M1.3/93-005
Flag Deasserted When Data Density Is	12.5	—	—	% ones	—
and Maximum Consecutive Zeros Are	—	—	15	zeros	TR-TRY-000009
	—	—	99	zeros	ITU-T G.775, T1M1.3/ 93-005

* Below the nominal pulse amplitude of 3.0 V with the line interface circuitry specified (see Line Circuitry on page 94).

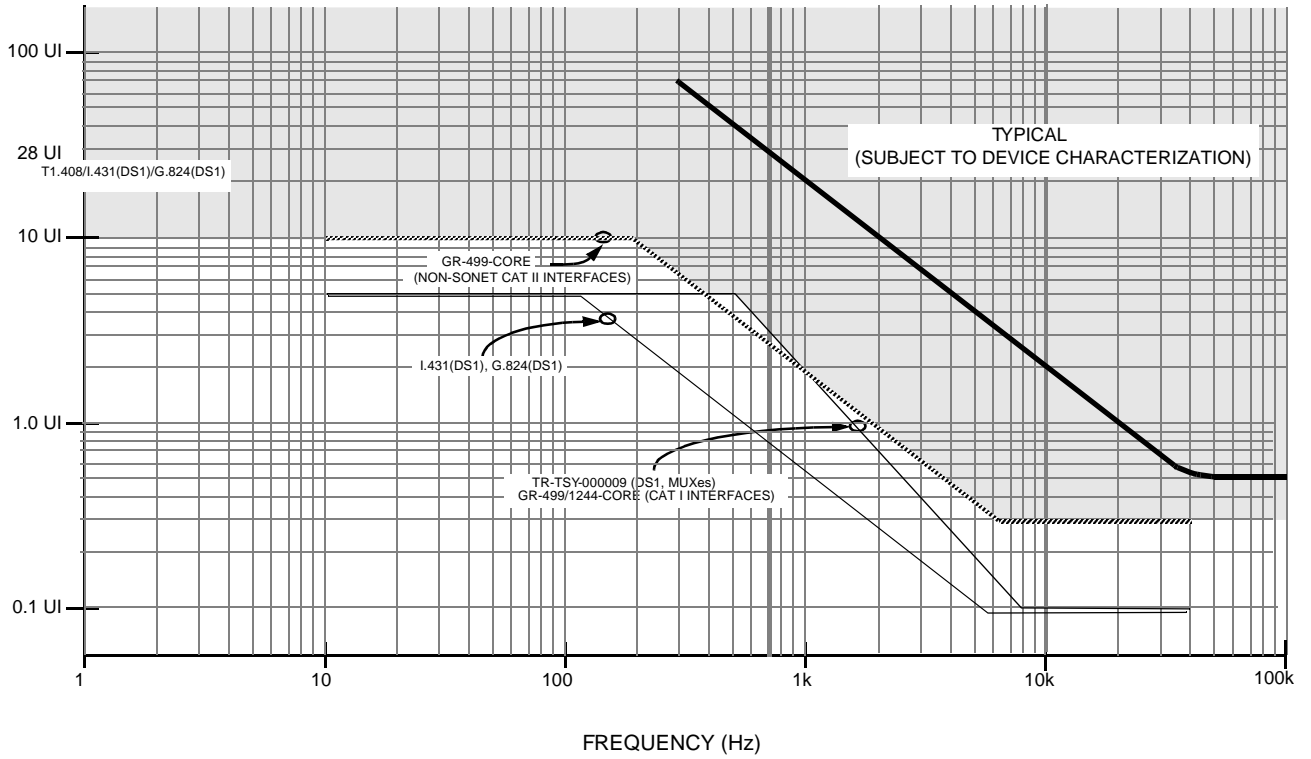
† Cable loss at 772 kHz.

‡ Using Lucent transformer 2795B and components listed in Table 55.

Direct Logic Control Mode (continued)

DS1 Receiver Specifications (continued)

Frequency Response Curves



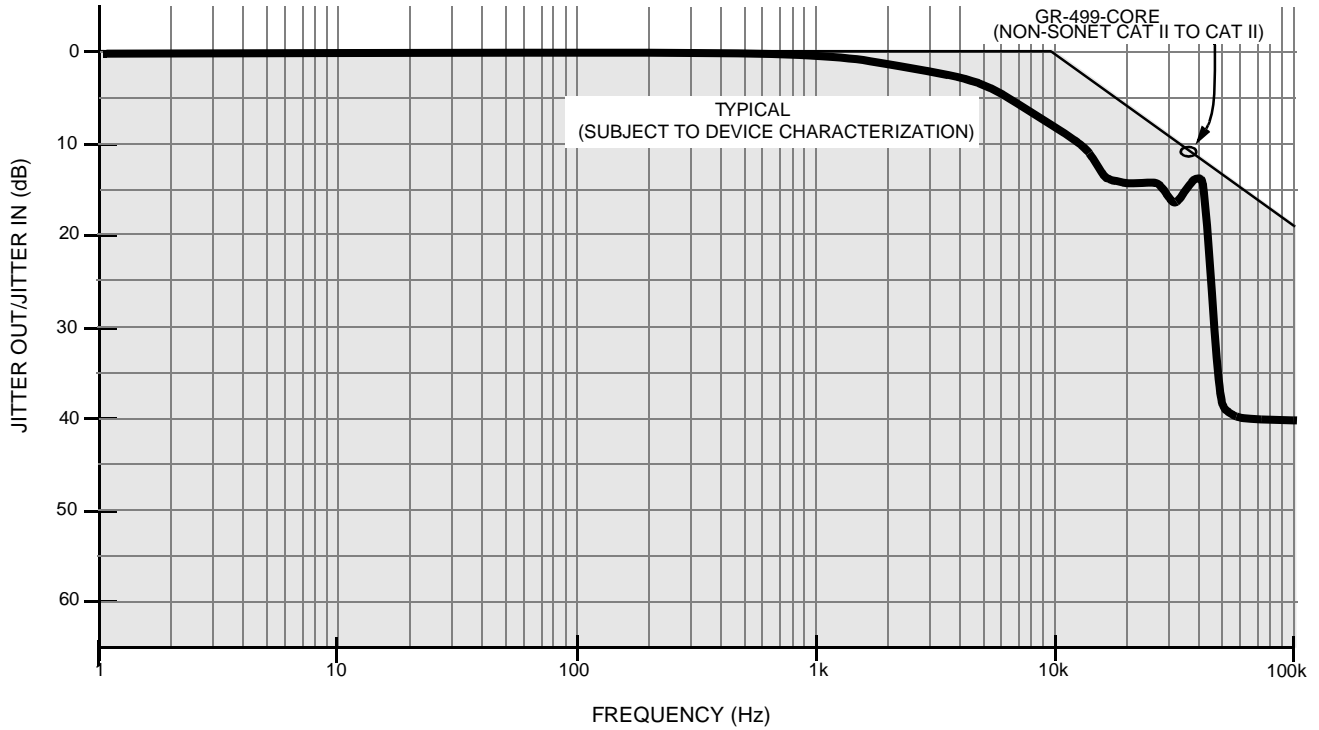
5-5260(F)r.7

Figure 27. DS1/T1 Receiver Jitter Accommodation Without Jitter Attenuator

Direct Logic Control Mode (continued)

DS1 Receiver Specifications (continued)

Frequency Response Curves (continued)



5-5261(F)r.4

Figure 28. DS1/T1 Receiver Jitter Transfer Without Jitter Attenuator

Direct Logic Control Mode (continued)

CEPT Receiver Specifications

During CEPT/E1 operation, the RLIU will perform as specified in Table 44.

Table 44. CEPT RLIU Specifications

Parameter	Min	Typ	Max	Unit	Spec
Analog Loss of Signal:					
Threshold to Assert	17.5	18	23	dB*	I.431, ETSI 300 233
Threshold to Clear	13.5	14	17.5	dB*	—
Hysteresis	—	4	—	dB	—
Time to Assert (ALTIMER = 0)	1.0	—	2.6	ms	I.431, ETSI 300 233
Time to Assert (ALTIMER = 1)	10	—	255	UI	G.775
Receiver Sensitivity [†]	11	13.5	—	dB	—
Interference Immunity [‡] :	9	12	—	dB	ITU-T G.703
Jitter Transfer:					
3 dB Bandwidth, Single Pole Roll Off	—	5.1	—	kHz	Figure 30 on page 77
Peaking	—	—	0.5	dB	Figure 36 on page 88
Generated Jitter	—	0.04	0.05	UIp-p	ITU-T G.823, I.431
Jitter Accommodation	—	—	—	—	Figure 29 on page 76 Figure 35 on page 87
Return Loss [§] :					ITU-T G.703
51 kHz to 102 kHz	14	—	—	dB	
102 kHz to 1.544 MHz	20	—	—	dB	
1.544 MHz to 2.316 MHz	16	—	—	dB	
Digital Loss of Signal:					
Flag Asserted When Consecutive Bit Positions Contain	255	—	—	zeros	—
Flag Deasserted When Data Density is (LOSSTD = 1)	12.5	—	—	%ones	ITU-T G.775

* Below the nominal pulse amplitude of 3.0 V with the line circuitry specified (see Line Interface Unit: Line Circuitry section).

† Cable loss at 1.024 MHz.

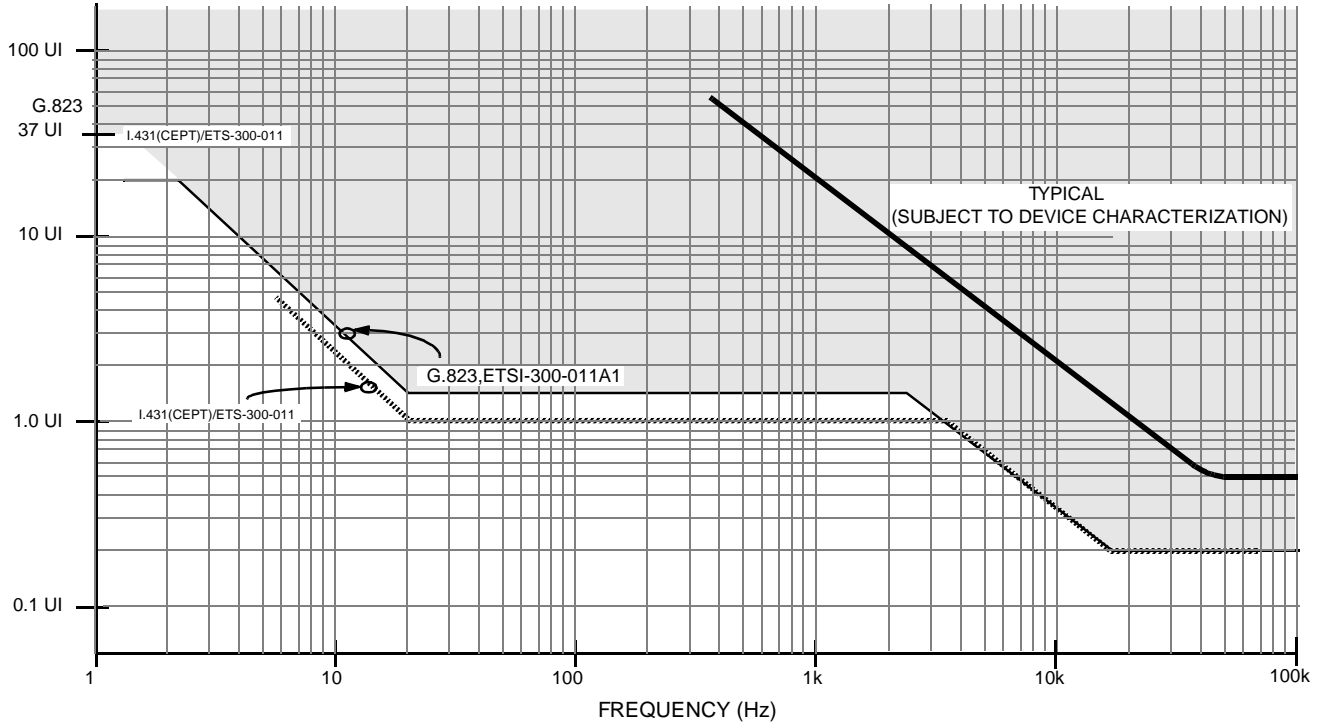
‡ Amount of cable loss for which the receiver will operate error-free in the presence of a -18 dB interference signal summing with the intended signal source.

§ Using Lucent transformer 2795D or 2795C and components listed in Table 55.

Direct Logic Control Mode (continued)

CEPT Receiver Specifications (continued)

Frequency Response Curves



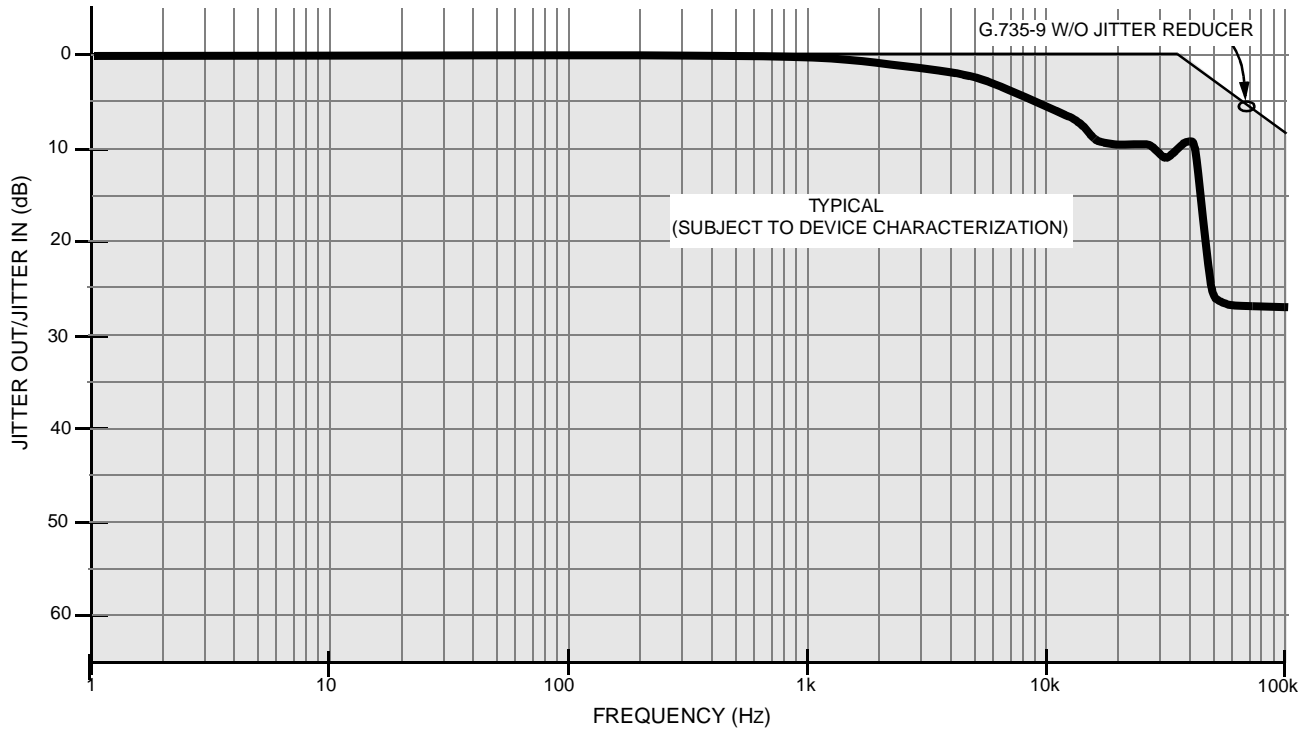
5-5262(F)r.8

Figure 29. CEPT/E1 Receiver Jitter Accommodation Without Jitter Attenuator

Direct Logic Control Mode (continued)

CEPT Receiver Specifications (continued)

Frequency Response Curves (continued)



5-5263(F)r.4

Figure 30. CEPT/E1 Receiver Jitter Transfer Without Jitter Attenuator

Direct Logic Control Mode (continued)**Output Pulse Generation**

The transmitter accepts a clock with NRZ data in single-rail mode (DUAL = 0) or a clock with positive and negative NRZ data in dual-rail mode (DUAL = 1) from the system. The device converts this data to a balanced bipolar signal (AMI format) with optional B8ZS(DS1)/HDB3(CEPT) encoding and jitter attenuation. Low-impedance output drivers produce these pulses on the line interface. Positive ones are output as a positive pulse on TTIP, and negative ones are output as a positive pulse on TRING. Binary zeros are converted to null pulses. The total delay of the data from the system interface to the transmit driver is approximately 3 to 11 bit periods, depending on the code configuration (see the Clock/Data Recovery Mode (CDR) section, page 69 and the Zero Substitution Encoding (CODE) section, page 79).

Additional delay results if the jitter attenuator is selected for use in the transmit path (see the LIU Delay Values section).

Transmit pulse shaping is controlled by the on-chip pulse-width controller and pulse equalizer. The pulse-width controller produces high-speed timing signals to accurately control the transmit pulse widths. This eliminates the need for a tightly controlled transmit clock duty cycle that is usually required in discrete implementations. The pulse equalizer controls the amplitudes of the pulses. Different pulse equalizations are selected through proper settings of the EQA, EQB, and EQC pins as described in Table 45.

Table 45. Equalizer/Rate Control

EQA	EQB	EQC	Service	Clock Rate	Transmitter Equalization*		Maximum Cable Loss [†]
					Feet	Meters	dB
0	0	0	DS1	1.544 MHz	0 ft. to 131 ft.	0 m to 40 m	0.6
0	0	1			131 ft. to 262 ft.	40 m to 80 m	1.2
0	1	0			262 ft. to 393 ft.	80 m to 120 m	1.8
0	1	1			393 ft. to 524 ft.	120 m to 160 m	2.4
1	0	0			524 ft. to 655 ft.	160 m to 200 m	3.0
1	0	1	CEPT [‡]	2.048 MHz	75 Ω (Option 2)		—
1	1	0			120 Ω or 75 Ω (Option 1)		—
1	1	1	Not Used	—	—		—

* In DS1 mode, the distance to the DSX for 22 gauge PIC (ABAM) cable is specified. Use the maximum cable loss figures for other cable types. In CEPT mode, equalization is specified for coaxial or twisted-pair cable.

[†] Loss measured at 772 kHz.

[‡] In 75 Ω applications, Option 1 is recommended over Option 2 for lower device power dissipation. Option 2 allows for the same transformer as used in CEPT 120 Ω applications.

Jitter

The intrinsic jitter of the transmit path, i.e., the jitter at TTIP/TRING when no jitter is applied to TCLK (and the jitter attenuator is not selected, JAT = 0), is typically 5 nsp-p and will not exceed 0.02 Ulp-p.

Direct Logic Control Mode (continued)

Transmitter Configuration Modes

Zero Substitution Encoding (CODE)

Zero substitution B8ZS/HDB3 encoding can be activated only in the single-rail system interface mode (DUAL = 0). The B8ZS/HDB3 encoding operation can be selected for individual channels independently by setting the CODE[1—4] pins high for the respective channels.

Note: Encoding and decoding are not independent. Selecting B8ZS/HDB3 encoding in the transmitter selects B8ZS/HDB3 decoding in the receiver.

When coding is selected for a given channel, data transmitted from the system interface on TDATA will be B8ZS/HDB3 encoded before appearing on TTIP and TRING at the line interface.

Alarm Indication Signal Generator (XAIS)

When the transmit alarm indication signal control pin is set (XAIS[1—4] = 1) for a given channel, a continuous stream of bipolar ones is transmitted to the line interface. The TPD/TDATA and TND inputs are ignored during this mode. The XAIS input is ignored when a remote loopback is selected using loopback control pin (RLOOP) transmitter alarms.

The normal clock source for the AIS signal is TCLK. If TCLK is not available (loss of TCLK detected), then the AIS signal clock defaults to INTXCLK/16. INTXCLK is either XCLK, or 16x XCLK, depending on the state of the CLKS input pin. See Figure 26 on page 68, and CLKS in Table 39, Pin Descriptions, on page 62.

Loss of Transmit Clock (LOTIC) Alarm

A loss of transmit clock alarm (LOTIC[1—4]) is indicated if any of the clocks in the transmit path disappear. This includes loss of TCLK input, loss of RCLK during remote loopback, loss of jitter attenuator output clock (when enabled), or the loss of clock from the pulse-width controller.

For all of these conditions, a core transmitter timing clock is lost and no data can be driven onto the line. Output drivers TTIP and TRING are placed in a high-impedance state when this alarm condition is active. The LOTIC pin is asserted low between 3 μ s and 16 μ s after the clock disappears, and deasserts immediately after detecting the first clock edge.

Transmit Driver Monitor (TDM) Alarm

The transmit driver monitor detects two conditions: a nonfunctional link due to a fault on the primary of the transmit transformer, or periods of no data transmission. The transmit driver monitor alarm (TDM[1—4]) is the ORed function of both faults and provides information about the integrity of the transmit signal path.

The first monitoring function is provided to detect nonfunctional links and protect the device from damage. The alarm is set (TDM = 0) when one of the transmitter's line drivers (TTIP or TRING) is shorted to power supply or ground, or TTIP and TRING are shorted together.

Under these conditions, internal circuitry protects the device from damage and excessive power supply current consumption by 3-stating the output drivers. The monitor detects faults on the transformer primary, but transformer secondary faults may not be detected.

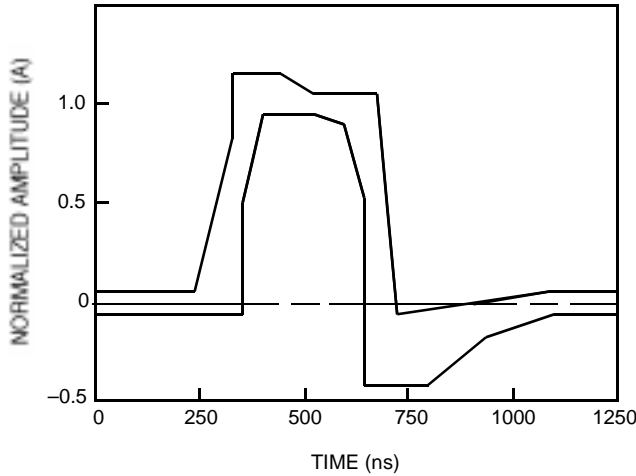
The monitor operates by comparing the line pulses with the transmit inputs. After 32 transmit clock cycles, the transmitter is powered up in its normal operating mode. The drivers attempt to correctly transmit the next data bit. If the error persists, TDM remains active to eliminate alarm chatter and the transmitter is internally protected for another 32 transmit clock cycles. This process is repeated until the error condition is removed and the TDM alarm is deactivated.

The second monitoring function is to indicate periods of no data transmission. The alarm is set (TDM = 0) when 32 consecutive zeros have been transmitted and the alarm condition is cleared on the detection of a single pulse. This alarm condition does not alter the state or functionality of the signal path.

Direct Logic Control Mode (continued)

DS1 Transmitter Pulse Template

The DS1 pulse shape template is specified at the DSX (defined by CB119 and ANSI T1.102) and is illustrated in Figure 31. The device also meets the pulse template specified by ITU-T G.703 (not shown).



5-1160(F)r.1

Figure 31. DSX-1 Isolated Pulse Template

Table 46. DSX-1 Pulse Template Corner Points (from CB119)

Maximum Curve		Minimum Curve	
ns	V	ns	V
0	0.05	0	-0.05
250	0.05	350	-0.05
325	0.80	350	0.50
325	1.15	400	0.95
425	1.15	500	0.95
500	1.05	600	0.90
675	1.05	650	0.50
725	-0.07	650	-0.45
1100	0.05	800	-0.45
1250	0.05	925	-0.20
—	—	1100	-0.05
—	—	1250	-0.05

During DS1 operation, the TTIP and TRING pins will perform as specified in Table 47.

Table 47. DS1 Transmitter Specifications

Parameter	Min	Typ	Max	Unit	Spec
Output Pulse Amplitude at DSX ¹	2.5	3.0	3.5	V	AT&T CB119, ANSI T1.102
Output Pulse Width at Line Side of Transformer ¹	325	350	375	ns	
Output Pulse Width at Device Pins TTIP and TRING ¹	330	350	370	ns	
Positive/Negative Pulse Imbalance ²	—	0.1	0.4	dB	
Power Levels ^{3, 4} :					
772 kHz	12.6	—	17.9	dBm	
1.544 MHz ⁵	29	39	—	dB	

1. In accordance with the line circuitry described (see Line Circuitry on page 94).
2. Total power difference.
3. Measured in a 2 kHz band around the specified frequency.
4. Using Lucent transformer 2795B and components in Table 55.
5. Below the power at 772 kHz.

Direct Logic Control Mode (continued)

CEPT Transmitter Pulse Template

CEPT pulse shape template is specified at the system output (defined by ITU-T G.703) and is illustrated in Figure 32.

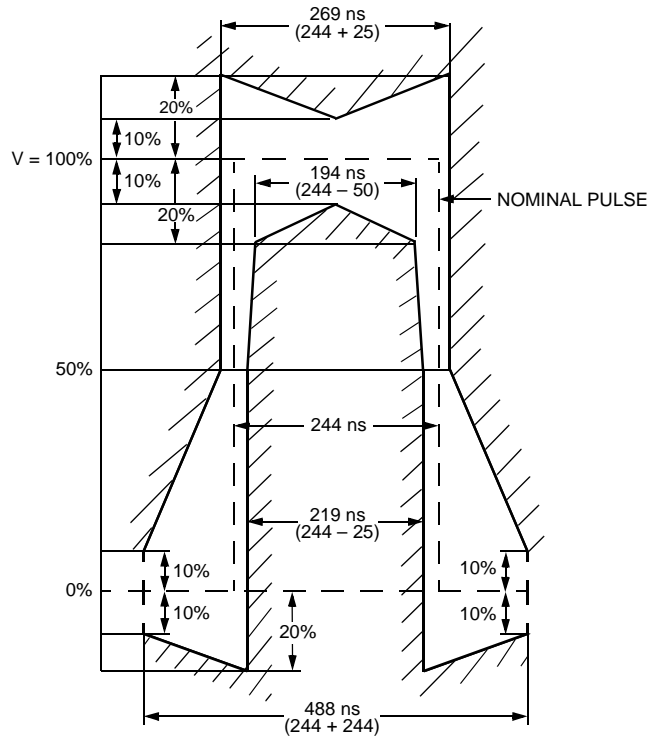


Figure 32. ITU-T G.703 Pulse Template

5-3145(F)r.1

Direct Logic Control Mode (continued)

CEPT Transmitter Pulse Template (continued)

During CEPT operation, the transmitter tip/ring (TTIP/TRING pins) will perform as specified in Table 48.

Table 48. CEPT Transmitter Specifications

Parameter	Min	Typ	Max	Unit	Spec
Output Pulse Amplitude*: 75 Ω 120 Ω	2.13 2.7	2.37 3.0	2.61 3.3	V V	ITU-T G.703
Output Pulse Width at Line Side of Transformer*	219	244	269	ns	
Output Pulse Width at Device Pins TTIP and TRING*	224	244	264	ns	
Positive/Negative Pulse Imbalance: Pulse Amplitude Pulse Width	-4 -4	±1.5 ±1	4 4	% %	
Zero Level (percentage of pulse amplitude)	-5	0	5	%	
Return Loss† (120 Ω): 51 kHz to 102 kHz 102 kHz to 2.048 MHz 2.048 MHz to 3.072 MHz	9 15 11	— — —	— — —	dB dB dB	CH-PTT
Return Loss† (75 Ω): 51 kHz to 102 kHz 102 kHz to 3.072 MHz	7 9	— —	— —	dB dB	ETS 300 166: 1993

* In accordance with the line circuitry described (see Line Circuitry on page 94), measured at the transformer secondary.

† Using Lucent transformer 2795D or 2795C and components in Table 30.

Jitter Attenuator

A selectable jitter attenuator is provided for narrow-bandwidth jitter transfer function applications. When placed in the LIU receive path, the jitter attenuator provides narrow-bandwidth jitter filtering for line synchronization. The jitter attenuator can also be placed in the transmit path to provide clock smoothing for applications such as synchronous/asynchronous demultiplexers. In these applications, TCLK will have an instantaneous frequency that is higher than the data rate, and some periods of TCLK are suppressed (gapped) in order to set the average long-term TCLK frequency to within the transmit line rate specification. The jitter attenuator will smooth the gapped clock.

Generated (Intrinsic) Jitter

Generated jitter is the amount of jitter appearing on the output port when the applied input signal has no jitter. The jitter attenuator of this device outputs a maximum of 0.05 Ulp-p intrinsic jitter.

Direct Logic Control Mode (continued)

Jitter Attenuator (continued)

Jitter Transfer Function

The jitter transfer function describes the amount of jitter that is transferred from the input to the output over a range of frequencies. The jitter attenuator exhibits a single-pole roll-off (20 dB/decade) jitter transfer characteristic that has no peaking and a nominal filter corner frequency (3 dB bandwidth) of less than 4 Hz for DS1 operation and approximately 10 Hz for CEPT operation. Optionally, a lower bandwidth of approximately 1.25 Hz can be selected in CEPT operation by setting JABW0 = 1 (register 12, bit 5) for systems desiring compliance with ETSI-TBR12/13 jitter attenuation requirements. When configured to meet ETSI-TBR12/13, the clock connected to the XCLK input must be ± 20 ppm. For a given frequency, different jitter amplitudes will cause a slight variation in attenuation because of finite quantization effects. Jitter amplitudes of less than approximately 0.2 UI will have greater attenuation than the single-pole roll-off characteristic. The jitter transfer curve is independent of data patterns. Typical jitter transfer curves of the jitter attenuator are given in Figure 34 and Figure 36.

Jitter Accommodation

The minimum jitter accommodation of the jitter attenuator occurs when the XCLK frequency and the input clock's long-term average frequency are at their extreme frequency tolerances. When the jitter attenuator is used in the LIU transmit path, the minimum accommodation is 28 UIp-p at the highest jitter frequency of 15 kHz. Typical receiver jitter accommodation curves including the jitter attenuator in the LIU receive path are given in Figure 33 and Figure 35.

When the jitter attenuator is placed in the data path, a difference between the XCLK/16 frequency and the incoming line rate for receive applications, or the TCLK rate for transmit applications, will result in degraded low-frequency jitter accommodation performance. The peak-to-peak jitter accommodation (JAp-p) for frequencies from above the corner frequency of the jitter attenuator (f_c) to approximately 100 Hz is given by the following equation:

$$J_{Ap-p} = \left(64 - \frac{2(|\Delta f_{xclk} - \Delta f_{data}|)f_{data}}{2\pi f_c} \right) UI$$

where:

f_{data} = 1.544 MHz for DS1 or 2.048 MHz for CEPT;
 for JABW0 = 0, f_c = 3.8 Hz for DS1 or 10 Hz for CEPT,
 and for JABW0 = 1, f_c = 1.25 Hz for CEPT;
 Δf_{xclk} = XCLK tolerance in ppm;
 Δf_{data} = data tolerance in ppm.

Note that for lower corner frequencies, the jitter accommodation is more sensitive to clock tolerance than for higher corner frequencies. When JABW0 = 1 and the jitter attenuator is used in the receive data path, the tolerance on XCLK should be tightened to ± 20 ppm in order to meet the jitter accommodation requirements of TBR12/13 as given in G.823 for line data rates of ± 50 ppm.

Direct Logic Control Mode (continued)**Jitter Attenuator** (continued)**Jitter Attenuator Enable**

The jitter attenuator is selected using the JAR and JAT pins. These control pins are global and affect all four channels unless a given channel is in the powerdown mode ($PWRDN = 1$). Because there is only one attenuator function in the device, selection must be made between either the transmit or receive path. If both JAT and JAR are activated at the same time, the jitter attenuator will be disabled.

Note that the power consumption increases slightly on a per-channel basis when the jitter attenuator is active. If jitter attenuation is selected, a valid XCLK signal must be available.

Jitter Attenuator Receive Path Enable (JAR)

When the jitter attenuator receive bit is set ($JAR = 1$), the attenuator is enabled in the receive data path between the clock/data recovery and the decoder (see Figure 26 on page 68). Under this condition, the jitter characteristics of the jitter attenuator apply for the receiver. When $JAR = 0$, the clock/data recovery outputs bypass the disabled attenuator and directly enter the decoder function. The receive path will then exhibit the jitter characteristics shown in Figure 27 through Figure 30.

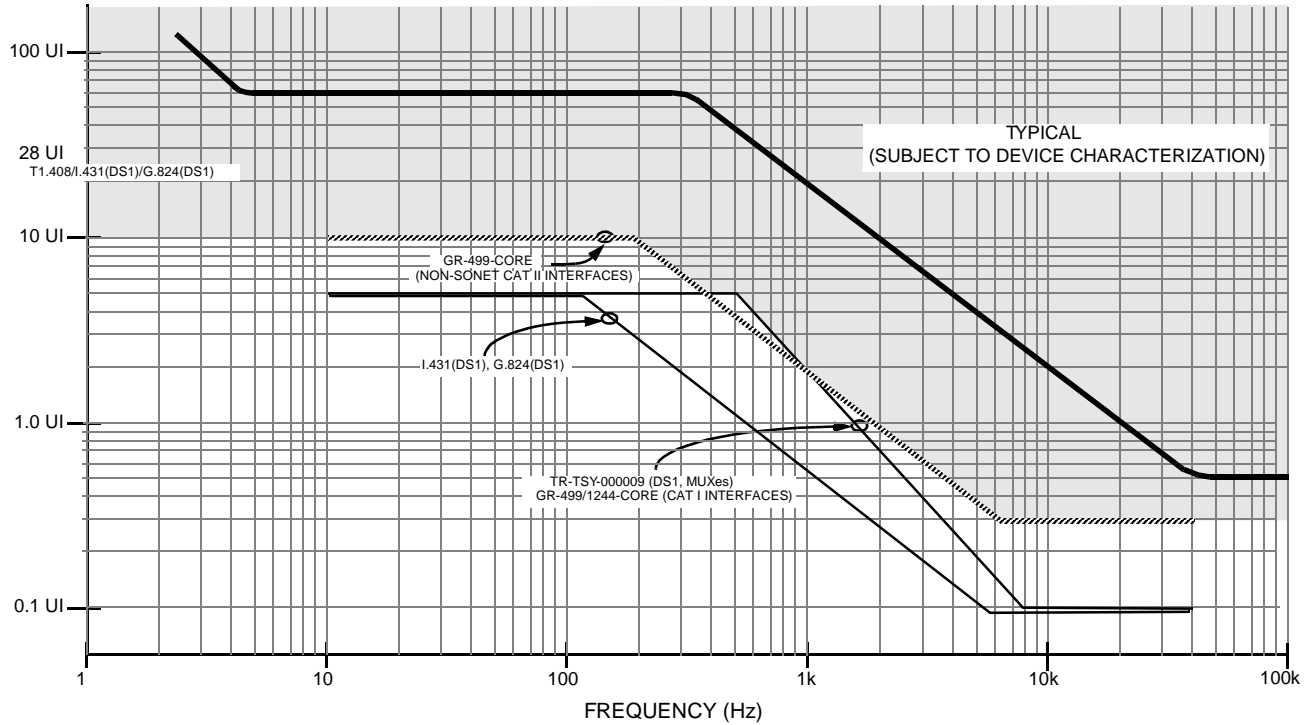
Jitter Attenuator Transmit Path Enable (JAT)

When the jitter attenuator transmit bit is set ($JAT = 1$), the attenuator is enabled in the transmit data path between the encoder and the pulse-width controller/pulse equalizer (see Figure 26 on page 68). Under this condition, the jitter characteristics of the jitter attenuator apply for the transmitter. When $JAT = 0$, the encoder outputs bypass the disabled attenuator and directly enter the pulse-width controller/pulse equalizer. The transmit path will then pass all jitter from TCLK to line interface outputs TTIP/TRING.

Direct Logic Control Mode (continued)

Jitter Attenuator (continued)

Frequency Response Curves



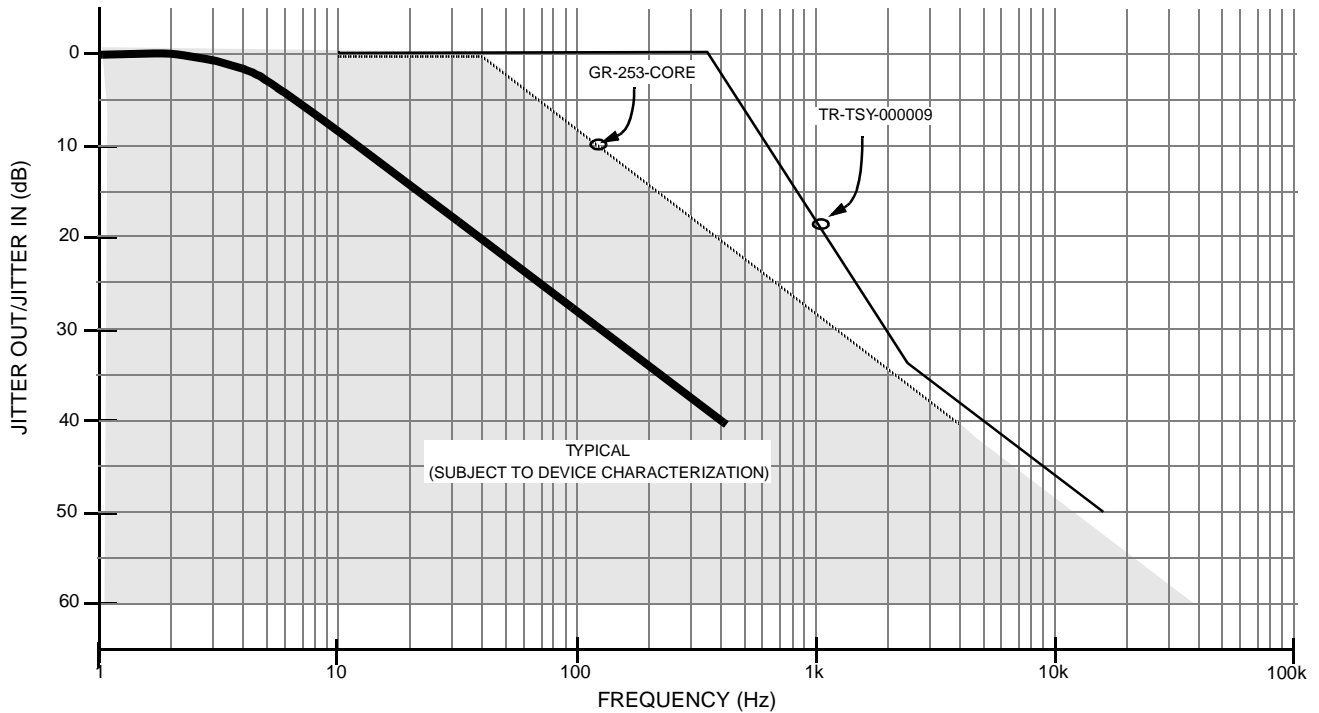
5-5264(F)r.8

Figure 33. DS1/T1 Receiver Jitter Accommodation with Jitter Attenuator

Direct Logic Control Mode (continued)

Jitter Attenuator (continued)

Frequency Response Curves (continued)



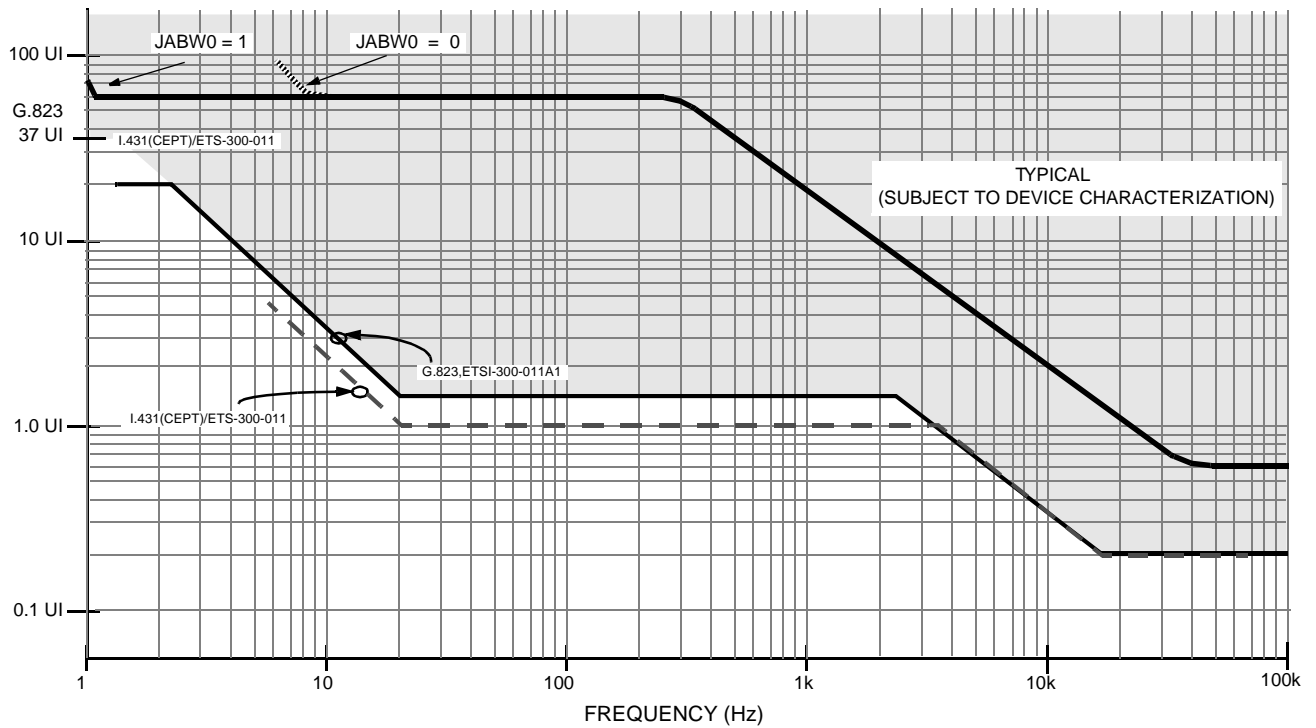
5-5265(F)r.4

Figure 34. DS1/T1 Jitter Transfer of the Jitter Attenuator

Direct Logic Control Mode (continued)

Jitter Attenuator (continued)

Frequency Response Curves (continued)



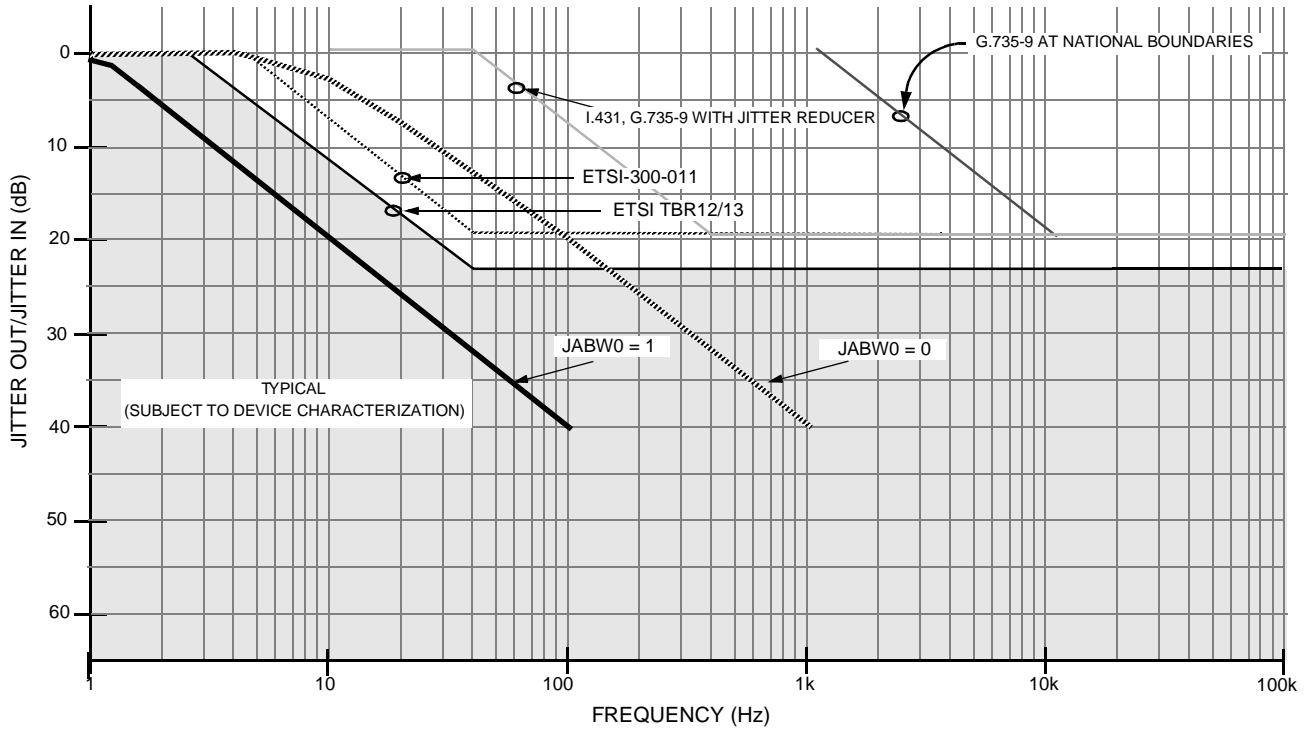
5-5266(F)r.8

Figure 35. CEPT/E1 Receiver Jitter Accommodation with Jitter Attenuator

Direct Logic Control Mode (continued)

Jitter Attenuator (continued)

Frequency Response Curves (continued)



5-5267(F)r.4

Figure 36. CEPT/E1 Jitter Transfer of the Jitter Attenuator

Direct Logic Control Mode (continued)

Loopbacks

The device has three independent loopback paths that are activated using the FLLOOP, RLOOP, and DLLOOP pins. The locations of these loopbacks are illustrated in Figure 26.

Full Local Loopback (FLLOOP)

A full local loopback (FLLOOP) connects the transmit line driver input to the receiver analog front-end circuitry. Valid transmit output data continues to be sent to the network. If the transmit AIS (all-ones signal) is sent to the network, the looped data is not affected. The ALOS alarm continues to monitor the receive line interface signal while DLOS monitors the looped data.

Remote Loopback (RLOOP)

A remote loopback (RLOOP) connects the recovered clock and retimed data to the transmitter at the system interface and sends the data back to the line. The receiver front end, clock/data recovery, encoder/decoder (if enabled) jitter attenuator (if enabled), and transmit driver circuitry are all exercised during this loopback. The transmit clock, transmit data, and XAIS inputs are ignored. Valid receive output data continues to be sent to the system interface. This loopback mode is very useful for isolating failures between systems.

Digital Local Loopback (DLLOOP)

A digital local loopback (DLLOOP) connects the transmit clock and data through the encoder/decoder pair to the receive clock and data output pins at the system interface. This loopback is operational if the encoder/decoder pair is enabled or disabled. The AIS signal can be transmitted without any effect on the looped signal.

Powerdown (PWRDN)

Each line interface channel has an independent powerdown mode controlled by PWRDN. This provides power savings for systems that use backup channels. If PWRDN = 1, the corresponding channel will be in a standby mode, consuming only a small amount of power. If a line interface channel in powerdown mode needs to be placed into service, the channel should be turned on (PWRDN = 0) approximately 5 ms before data is applied.

Reset (RESET)

The device provides a hardware reset ($\overline{\text{RESET}}$; pin 44). When the device is in reset, all signal-path and alarm monitor states are initialized to a known starting configuration. During a reset condition, data transmission will be interrupted.

The reset condition is initiated by setting $\overline{\text{RESET}} = 0$ for a minimum of 10 μs . On coming out of the reset condition ($\overline{\text{RESET}} = 1$), a time of at least 2.7 ms should be allowed to ensure stabilization of the PLL.

Loss of XCLK Reference Clock (LOXC)

The LOXC output (pin 45) is active when the XCLK reference clock (pin 46) is absent. The LOXC flag is asserted a maximum of 16 μs after XCLK disappears, and deasserts immediately after detecting the first clock edge of XCLK.

During the LOXC alarm condition, the clock recovery and jitter attenuator functions are automatically disabled. Therefore, if CDR = 1 and/or JAR = 1, the RCLK, RPD, RND, and $\overline{\text{DLOS}}$ outputs will be unknown. If CDR = 0, there will be no effect on the receiver. If the jitter attenuator is enabled in the transmit path (JAT = 1) during this alarm condition, then a loss of transmit clock alarm, LOTC = 1, will also be indicated.

In-Circuit Testing and Driver High-Impedance State (ICT)

The affect of asserting the $\overline{\text{ICT}}$ input (pin 43) is that all output buffers (TTIP, TRING, RCLK, RPD, RND, LOXC, RDY_DTACK, INT, AD[7:0]) are placed in a high-impedance state. The TTIP and TRING outputs have a limiting high-impedance capability of approximately 8 k Ω .

LIU Delay Values

The transmit coder has 5 UI delay whether it is in the path or not and whether it is B8ZS or HDB3. Its delay is only removed when in single-rail mode. The remainder of the transmit path has 4.6 UI delay. The receive decoder has 5 UI delay whether it is in the path or not and whether it is B8ZS or HDB3. Its delay is only removed when in single-rail mode or CDR = 0. The AFE (equalizer plus slicer) delay is nearly 0 UI delay. The jitter attenuator delay is nominally 33 UI but can be 2 UI—64 UI depending on the state. The DPLL used for timing recovery has 8 UI delay.

Direct Logic Control Mode (continued)

Line Encoding/Decoding

Alternate Mark Inversion (AMI)

The default line code used for T1 is alternate mark inversion (AMI). The coding scheme represents a 1 with a pulse or mark on the positive or negative rail and a 0 with no pulse on either rails. This scheme is shown in Table 49.

Table 49. AMI Encoding

Input Bit Stream	1011	0000	0111	1010
AMI Data	-0+-	0000	0+--+	-0+0

The T1 ones density rule requires that in every 24 bits of information to be transmitted, there must be at least three pulses, and no more than 15 zeros may be transmitted consecutively.

AT&T Technical Reference 62411 for digital transmissions requires that in every 8 bits of information, at least one pulse must be present.

T1-Binary 8 Zero Code Suppression

Clear channel transmission can be accomplished using Binary 8 Zero Code Suppression (B8ZS). Eight consecutive zeros are replaced with the B8ZS code. This code consists of two bipolar violations in bit positions 4 and 7 and valid bipolar marks in bit positions 5 and 8. The receiving end recognizes this code and replaces it with the original string of eight zeros. Table 50 shows the encoding of a string of zeros using B8ZS. B8ZS is recommended when ESF format is used.

Table 50. DS1 B8ZS Encoding

Bit Positions	1	2	3	4	5	6	7	8	—	—	—	1	2	3	4	5	6	7	8
Before B8ZS	0	0	0	0	0	0	0	0	1	0	1	0	0	0	0	0	0	0	0
After B8ZS	0	0	0	V	B	0	V	B	B	0	B	0	0	0	V	B	0	V	B

High-Density Bipolar of Order 3 (HDB3)

The line code used for CEPT is described in ITU Rec. G.703 Section 6.1 as high-density bipolar of order 3 (HDB3). HDB3 uses a substitution code that acts on strings of four zeros. The substitute HDB3 codes are 000V and B00V, where V represents a violation of the bipolar rule and B represents as inserted pulse conforming to the AMI rule defined in ITU Rec. G.701, item 9004. The choice of the B00V or 000V is made so that the number of B pulses between consecutive V pulses is odd. In other words, successive V pulses are of alternate polarity so that no direct current (dc) component is introduced. The substitute codes follow each other if the string of zeros continues. The choice of the first substitute code is arbitrary. A line code error is defined as a bipolar violation and consists of two pulses of the same polarity that is not defined as one of the two substitute codes. Both excessive zeros and coding violations are indicated as bipolar violations. An example is shown in Table 51.

Table 51. ITU HDB3 Coding and DCPAT Binary Coding

Input Bit Stream	1011	0000	01	0000	0000	0000	0000
HDB3-Coded Data	1011	000V	01	000V	B00V	B00V	B00V
HDB3-Coded Levels	-0+-	000-	0+	000+	-00-	+00+	-00-

Direct Logic Control Mode (continued)

XCLK Reference Clock

The device requires an externally applied clock, XCLK (pin 46), for the clock and data recovery function and the jitter attenuation option. XCLK must be a continuously active (i.e., ungapped, unjittered, and unswitched) and an independent reference clock such as from an external system oscillator or system clock for proper operation. It must not be derived from any recovered line clock (i.e., from RCLK or any synthesized frequency of RCLK).

XCLK may be supplied in one of four formats: 16x DS1, DS1, 16x CEPT, or CEPT. The format is selected globally for the device by CLKS (pin 117) and CLKM (pin 116).

CLKS determines the relationship between the primary line data rate and the clock signal applied to XCLK. For CLKS = 0, a clock at 16x the primary line data rate clock (24.704 MHz for DS1 and 32.768 MHz for CEPT) must be applied to XCLK. For CLKS = 1, a primary line data rate clock (1.544 MHz for DS1 and 2.048 MHz for CEPT) must be applied to XCLK.

The CLKS pin has an internal pull-down resistor allowing the pin to be left open, i.e., a no connect, in applications using a 16x reference clock. The CLKS pin must be pulled up to VDD for applications using a primary line data rate clock.

CLKM determines whether the clock synthesizer is operating in CEPT or DS1 mode when XCLK is a primary line data rate clock. For CLKM = 0, the clock synthesizer operates in DS1 mode (1.544 MHz). For CLKM = 1, the clock synthesizer operates in CEPT mode (2.048 MHz). The CLKM pin is ignored when CLKS = 0.

The CLKM pin has an internal pull-down resistor allowing the pin to be left open, i.e., a no connect, in applications using a DS1 line rate reference clock. The CLKM pin must be pulled up to VDD for applications using a CEPT line data rate clock.

16x XCLK Reference Clock

The specifications for XCLK using a 16x reference clock are defined in Table 52. The 16x reference clock is selected when CLKS = 0.

Table 52. XCLK (16x, CLKS = 0) Timing Specifications

Parameter	Value			Unit
	Min	Typ	Max	
Frequency:				
DS1	—	24.704	—	MHz
CEPT	—	32.768	—	MHz
Range*, †	-100	—	100	ppm
Duty Cycle	40	—	60	%

* When JABW0 = 1 and the jitter attenuator is used in the receive data path, the tolerance on XCLK should be tightened to ± 20 ppm in order to meet the jitter accommodation requirements of TBR12/13 as given in G.823 for line data rates of ± 50 ppm.

† If XCLK is used as the source for AIS (see Alarm Indication Signal Generator (XAIS) on page 79), it must meet the nominal transmission specifications of 1.544 MHz \pm 32 ppm for DS1 (T1) or 2.048 MHz \pm 50 ppm for CEPT (E1).

Direct Logic Control Mode (continued)

XCLK Reference Clock (continued)

Primary Line Rate XCLK Reference Clock and Internal Reference Clock Synthesizer

In some applications, it is more desirable to provide a reference clock at the primary data rate. In such cases, the LIU can utilize an internal 16x clock synthesizer allowing the XCLK pin to accept a primary data rate clock. The specifications for XCLK using a primary rate reference clock are defined in Table 53.

Table 53. XCLK (1x, CLKS = 1) Timing Specifications

Parameter	Value			Unit
	Min	Typ	Max	
Frequency:				
DS1	—	1.544	—	MHz
CEPT	—	2.048	—	MHz
Range*,†	-100	—	100	ppm
Duty Cycle	40	—	60	%
Rise and Fall Times (10%—90%)	—	—	5	ns

* When JABW0 = 1 and the jitter attenuator is used in the receive data path, the tolerance on XCLK should be tightened to ±20 ppm in order to meet the jitter accommodation requirements of TBR12/13 as given in G.823 for line data rates of ±50 ppm.

† If XCLK is used as the source for AIS (see Alarm Indication Signal Generator (XAIS) on page 79), it must meet the nominal transmission specifications of 1.544 MHz ± 32 ppm for DS1 (T1) or 2.048 MHz ± 50 ppm for CEPT (E1).

The data rate reference clock and the internal clock synthesizer is selected when CLKS = 1. In this mode, a valid and stable data rate reference clock must be applied to the XCLK pin before and during the time a hardware reset is activated ($\overline{\text{RESET}} = 0$). The reset must be held active for a minimum of two data rate clock periods to ensure proper resetting of the clock synthesizer circuit. Upon the deactivation of the reset pin ($\overline{\text{RESET}} = 1$), the LIU will extend the reset condition internally for approximately $1/2(2^{12} - 1)$ line clock periods, or 1.3 ms for DS1 and 1 ms for CEPT after the hardware reset pin has become inactive, allowing the clock synthesizer additional time to settle. No activity such as microprocessor read/write should be performed during this period. The device will be operational 2.7 ms after the deactivation of the hardware reset pin. Issuing an LIU software restart (LIU_REG2 bit 5 (RESTART) = 1) does not impact the clock synthesizer circuit.

The choices for XCLK are summarized in Table 54.

Table 54. XCLK Specifications

CLKS	CLKM	JABW0*	Mode	Specifications
0	0	0	16x DS1	24.740 MHz ± 32 ppm
0	1	0	16x CEPT	32.768 MHz ± 50 ppm
0	1	1	16x CEPT	32.768 MHz ± 20 ppm
1	0	0	DS1	1.544 MHz ± 32 ppm
1	1	0	CEPT	2.048 MHz ± 50 ppm
1	1	1	CEPT	2.048 MHz ± 20 ppm

* To meet TBR 12/13 for jitter accommodation.

Direct Logic Control Mode (continued)

Power Supply Bypassing

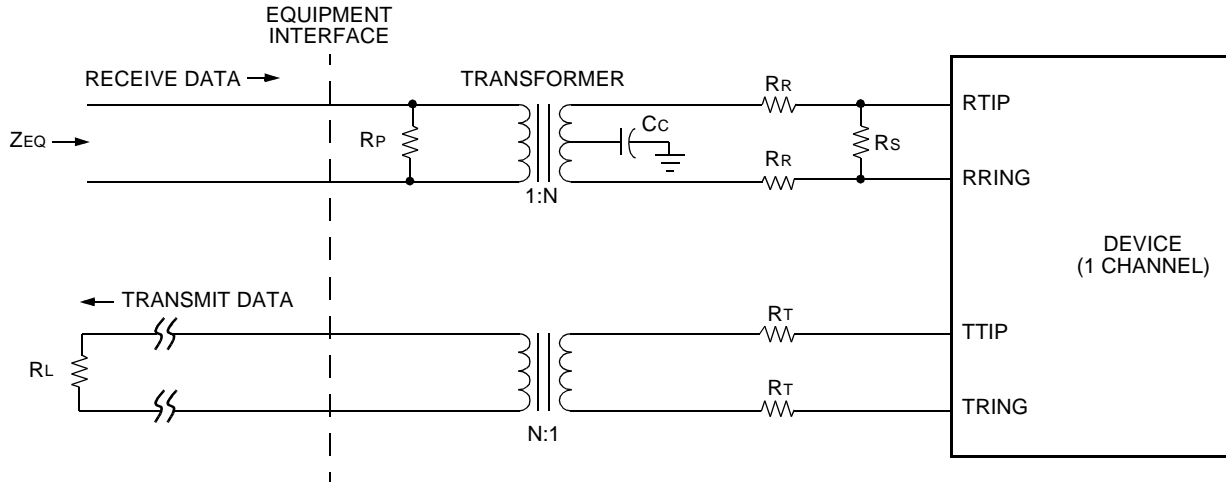
External bypassing is required for all channels. A 1.0 μF capacitor must be connected between V_{DDX} and GNDX . In addition, a 0.1 μF capacitor must be connected between V_{DDD} and GNDD , and a 0.1 μF capacitor must be connected between V_{DDA} and GNDA . Ground plane connections are required for GNDX , GNDD , and GNDA . Power plane connections are also required for V_{DDX} and V_{DDD} . The need to reduce high-frequency coupling into the analog supply (V_{DDA}) may require an inductive bead to be inserted between the power plane and the V_{DDA} pin of every channel.

Capacitors used for power supply bypassing should be placed as close as possible to the device pins for maximum effectiveness.

Direct Logic Control Mode (continued)

Line Circuitry

The transmit and receive tip/ring connections provide a matched interface to the cable (i.e., terminating impedance matches the characteristic impedance of the cable). The diagram in Figure 37 shows the appropriate external components to interface to the cable for a single transmit/receive channel. The component values are summarized in Table 55, based on the specific application.



5-3693(F).d

Figure 37. Line Termination Circuitry

Table 55. Termination Components by Application

Resistor tolerances are $\pm 1\%$. Transformer turns ratio tolerances are $\pm 2\%$.

Symbol	Name	Cable Type				Unit
		DS1 ¹ Twisted Pair	CEPT 75 Ω^2 Coaxial		CEPT 120 Ω^4 Twisted Pair	
			Option 1 ³	Option 2 ⁴		
CC	Center Tap Capacitor	0.1	0.1	0.1	0.1	μF
RP	Receive Primary Impedance	200	200	200	200	Ω
RR	Receive Series Impedance	71.5	28.7	59	174	
RS	Receive Secondary Impedance	113	82.5	102	205	
ZEQ	Equivalent Line Termination	100	75	75	120	
	Tolerance	± 4	± 4	± 4	± 4	%
RT	Transmit Series Impedance	0	26.1	15.4	26.1	Ω
RL	Transmit Load Termination ⁵	100	75	75	120	
N	Transformer Turns Ratio	1.14	1.08	1.36	1.36	—

1. Use Lucent 2795B transformer.
2. For CEPT 75 Ω applications, Option 1 is recommended over Option 2 for lower device power dissipation. Option 2 increases power dissipation by 13 mW per channel when driving 50% ones data. Option 2 allows for the use of the same transformer as in CEPT 120 Ω applications.
3. Use Lucent 2795D transformer.
4. Use Lucent 2795C transformer.
5. A $\pm 5\%$ tolerance is allowed for the transmit load termination, RL.

Direct Logic Control Mode (continued)

Absolute Maximum Ratings

Stresses in excess of the absolute maximum ratings can cause permanent or latent damage to the device. These are absolute stress ratings only. Functional operation of the device is not implied at these or any other conditions in excess of those given in the operational sections of this device specification. Exposure to absolute maximum ratings for extended periods can adversely affect device reliability.

Table 56. Absolute Maximum Ratings

Parameter	Min	Max	Unit
dc Supply Voltage	-0.5	6.5	V
Storage Temperature	-65	125	°C
Maximum Voltage (digital pins) with Respect to V _{DD}	—	0.5	V
Minimum Voltage (digital pins) with Respect to G _{ND}	-0.5	—	V
Maximum Allowable Voltages (RTIP[1—4], RRING[1—4]) with Respect to V _{DD}	—	0.5	V
Minimum Allowable Voltages (RTIP[1—4], RRING[1—4]) with Respect to G _{ND}	-0.5	—	V

Handling Precautions

Although protection circuitry has been designed into this device, proper precautions should be taken to avoid exposure to electrostatic discharge (ESD) during handling and mounting. Lucent employs a human-body model (HBM) and charged-device model (CDM) for ESD-susceptibility testing and protection design evaluation. ESD voltage thresholds are dependent on the circuit parameters used in the defined model. No industry-wide standard has been adopted for the CDM. However, a standard HBM (resistance = 1500 Ω, capacitance = 100 pF) is widely used and, therefore, can be used for comparison purposes. The HBM ESD threshold presented here was obtained by using these circuit parameters.

Table 57. ESD Threshold Voltage

Device	Model	Voltage
TLIU04C1	HBM	TBD
	CDM (corner pins)	TBD
	CDM (noncorner pins)	TBD

Operating Conditions

Table 58. Recommended Operating Conditions

Parameter	Symbol	Min	Typ	Max	Unit
Ambient Temperature	T _A	-40	—	85	°C
Power Supply	V _{DD}	4.75	5.0	5.25	V

Direct Logic Control Mode (continued)

Power Requirements

The majority of the power used by the TLIU04C1 device is used by the line drivers. Therefore, the power is very dependent on data pattern and signal amplitude. The signal amplitude is a function of the transmit equalization in DS1 mode. When configured for greater cable loss, the signal amplitude is greater at the output drivers, and thus uses more power. For this reason, the power specification of Table 59 are given for various conditions. The typical specification is for a quasi-random signal and the maximum specification is for a mark (all ones) pattern. The power also varies somewhat for DS1 versus CEPT, so figures are given for both.

Table 59. Power Consumption

Parameter	Power		Unit
	Typ	Max	
CEPT	TBD	TBD	mW
DS1	TBD	TBD	mW
DS1 with Max Eq.	TBD	TBD	mW

Power dissipation is the amount of power dissipated in the device. It is equal to the power drawn by the device minus the power dissipated in the line.

Table 60. Power Dissipation

Parameter	Power		Unit
	Typ	Max	
CEPT	TBD	TBD	mW
DS1	TBD	TBD	mW
DS1 with Max Eq.	TBD	TBD	mW

Electrical Characteristics

Table 61. Logic Interface Characteristics

Note: The following internal resistors are provided: 50 kΩ pull-up on the $\overline{IC\overline{T}}$ and $\overline{RESE\overline{T}}$ pins, 50 kΩ pull-down on the CLKS and CLKM pins, and 100 kΩ pull-up on the \overline{CS} , and XCLK pins. This requires these input pins to sink no more than 20 μA. The device uses TTL input and output buffers; all buffers are CMOS-compatible.

Parameter	Symbol	Test Conditions	Min	Max	Unit
Input Voltage:		—			
Low	V _{IL}		GND _D	0.8	V
High	V _{IH}		2.1	V _{DDD}	V
Input Leakage	I _L	—	—	10	μA
Output Voltage:					
Low	V _{OL}	I _{OL} = -5.0 mA	GND _D	0.4	V
High	V _{OH}	I _{OH} = 5.0 mA	V _{DDD} - 0.5	V _{DDD}	V
Input Capacitance	C _I	—	—	3.0	pF
Load Capacitance*	C _L	—	—	50	pF

* 100 pF allowed for microprocessor mode AD[7:0] (pins 75—82).

Direct Logic Control Mode (continued)

Data Interface Timing

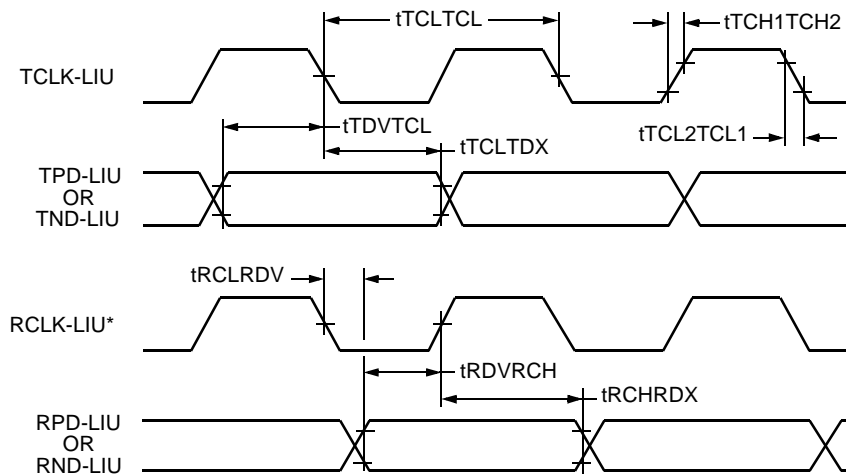
Table 62. Data Interface Timing

Note: The digital system interface timing is shown in Figure 38 for ACM = 0. If ACM = 1, then the RCLK signal in Figure 38 will be inverted.

Symbol	Parameter	Min	Typ	Max	Unit
tTCLTCL	Average TCLK Clock Period:	—	647.7	—	ns
	DS1 CEPT	—	488.0	—	ns
tTDC	TCLK Duty Cycle*	30	—	70	%
	TCLK Minimum High/Low Time†	100	—	—	ns
tTDVTCL	Transmit Data Setup Time	50	—	—	ns
tTCLDX	Transmit Data Hold Time	40	—	—	ns
tTCH1TCH2	Clock Rise Time (10%/90%)	—	—	40	ns
tTCL2TCL1	Clock Fall Time (90%/10%)	—	—	40	ns
tRCHRCL	RCLK Duty Cycle	45	50	55	%
tRDVRCH	Receive Data Setup Time	140	—	—	ns
tRCHRDY	Receive Data Hold Time	180	—	—	ns
tRCLR DV	Receive Propagation Delay	—	—	40	ns

* Refers to each individual bit period for JAT = 0 applications.

† Refers to each individual bit period for JAT = 1 applications using a gapped TCLK.



* Invert RCLK for ACM = 1.

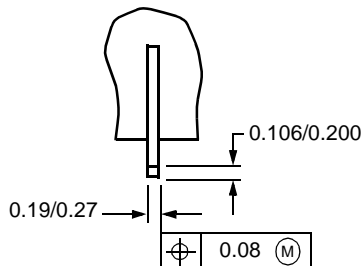
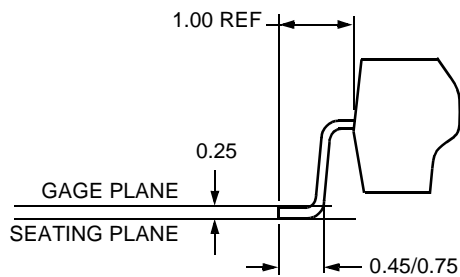
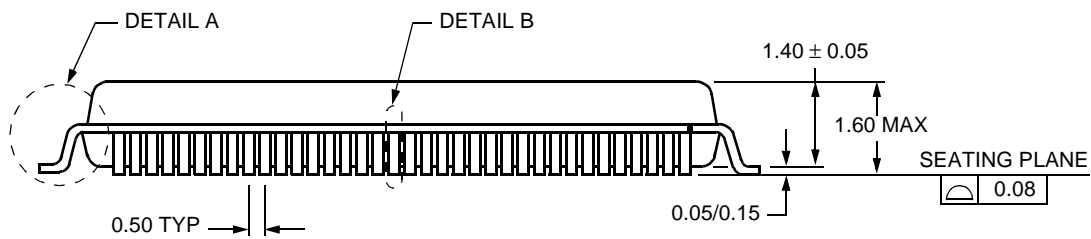
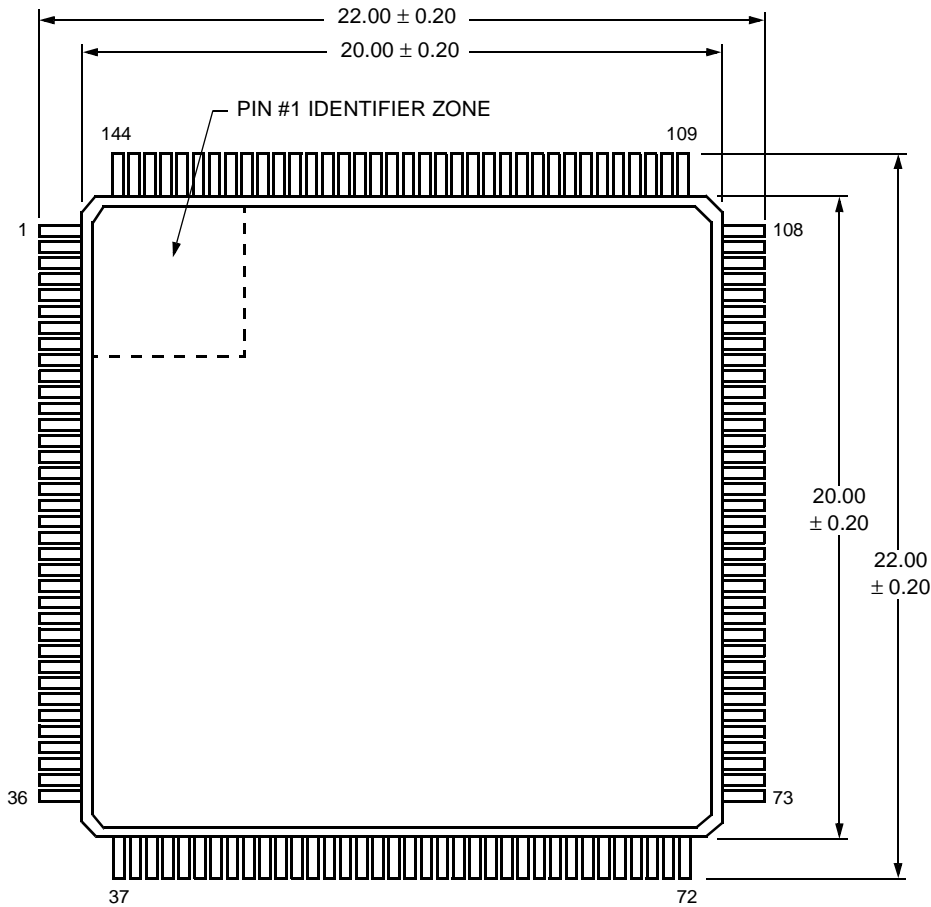
5-1156(F).br.3

Figure 38. Interface Data Timing (ACM = 0)

Outline Diagram

144-Pin TQFP

Dimensions are in millimeters.



5-3815(F)r.6

Ordering Information

Device Code	Package	Temperature	Comcode (Ordering Number)
TLIU04C1	144-Pin TQFP	-40 °C to +85 °C	108420761

For additional information, contact your Microelectronics Group Account Manager or the following:

INTERNET: <http://www.lucent.com/micro>

E-MAIL: docmaster@micro.lucent.com

N. AMERICA: Microelectronics Group, Lucent Technologies Inc., 555 Union Boulevard, Room 30L-15P-BA, Allentown, PA 18103

1-800-372-2447, FAX 610-712-4106 (In CANADA: **1-800-553-2448**, FAX 610-712-4106)

ASIA PACIFIC: Microelectronics Group, Lucent Technologies Singapore Pte. Ltd., 77 Science Park Drive, #03-18 Cintech III, Singapore 118256

Tel. (65) 778 8833, FAX (65) 777 7495

CHINA: Microelectronics Group, Lucent Technologies (China) Co., Ltd., A-F2, 23/F, Zao Fong Universe Building, 1800 Zhong Shan Xi Road, Shanghai 200233 P. R. China **Tel. (86) 21 6440 0468, ext. 316**, FAX (86) 21 6440 0652

JAPAN: Microelectronics Group, Lucent Technologies Japan Ltd., 7-18, Higashi-Gotanda 2-chome, Shinagawa-ku, Tokyo 141, Japan

Tel. (81) 3 5421 1600, FAX (81) 3 5421 1700

EUROPE: Data Requests: MICROELECTRONICS GROUP DATALINE: **Tel. (44) 1189 324 299**, FAX (44) 1189 328 148

Technical Inquiries: GERMANY: **(49) 89 95086 0** (Munich), UNITED KINGDOM: **(44) 1344 865 900** (Ascot),

FRANCE: **(33) 1 40 45 77 00** (Paris), SWEDEN: **(46) 8 594 607 00** (Stockholm), FINLAND: **(358) 9 4354 2800** (Helsinki),

ITALY: **(39) 02 6608131** (Milan), SPAIN: **(34) 1 807 1441** (Madrid)

Lucent Technologies Inc. reserves the right to make changes to the product(s) or information contained herein without notice. No liability is assumed as a result of their use or application. No rights under any patent accompany the sale of any such product(s) or information.

