



**N-Channel Enhancement-Mode  
Vertical DMOS FETs**

**Ordering Information**

| BV <sub>DSS</sub> /<br>BV <sub>DGS</sub> | R <sub>DS(ON)</sub><br>(max) | I <sub>D(ON)</sub><br>(min) | V <sub>GS(th)</sub><br>(max) | Order Number / Package |          |
|------------------------------------------|------------------------------|-----------------------------|------------------------------|------------------------|----------|
|                                          |                              |                             |                              | TO-92                  | SOW-20*  |
| 20V                                      | 0.75Ω                        | 4.0A                        | 1.6V                         | —                      | —        |
| 40V                                      | 0.75Ω                        | 4.0A                        | 1.6V                         | TN0604N3               | —        |
| 40V                                      | 1.0Ω                         | 4.0A                        | 1.6V                         | —                      | TN0604WG |

\* Same as SO-20 with 300 mil wide body.

**Features**

- Low threshold — 1.6V max.
- High input impedance
- Low input capacitance — 140pF typical
- Fast switching speeds
- Low on resistance
- Free from secondary breakdown
- Low input and output leakage
- Complementary N- and P-channel devices

**Applications**

- Logic level interfaces – ideal for TTL and CMOS
- Solid state relays
- Battery operated systems
- Photo voltaic drives
- Analog switches
- General purpose line drivers
- Telecom switches

**Absolute Maximum Ratings**

|                                   |                   |
|-----------------------------------|-------------------|
| Drain-to-Source Voltage           | BV <sub>DSS</sub> |
| Drain-to-Gate Voltage             | BV <sub>DGS</sub> |
| Gate-to-Source Voltage            | ± 20V             |
| Operating and Storage Temperature | -55°C to +150°C   |
| Soldering Temperature*            | 300°C             |

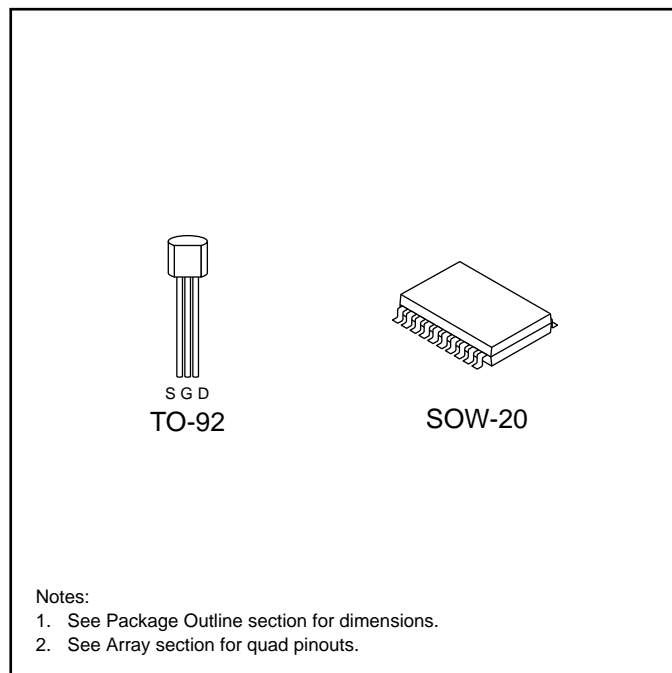
\* Distance of 1.6 mm from case for 10 seconds.

**Low Threshold DMOS Technology**

These low threshold enhancement-mode (normally-off) transistors utilize a vertical DMOS structure and Supertex's well-proven silicon-gate manufacturing process. This combination produces devices with the power handling capabilities of bipolar transistors and with the high input impedance and positive temperature coefficient inherent in MOS devices. Characteristic of all MOS structures, these devices are free from thermal runaway and thermally-induced secondary breakdown.

Supertex's vertical DMOS FETs are ideally suited to a wide range of switching and amplifying applications where very low threshold voltage, high breakdown voltage, high input impedance, low input capacitance, and fast switching speeds are desired.

**Package Options**



- Notes:
1. See Package Outline section for dimensions.
  2. See Array section for quad pinouts.

# Thermal Characteristics

| Package | I <sub>D</sub> (continuous)*                 | I <sub>D</sub> (pulsed) | Power Dissipation @ T <sub>C</sub> = 25°C | θ <sub>jc</sub> °C/W | θ <sub>ja</sub> °C/W | I <sub>DR</sub> * | I <sub>DRM</sub> |
|---------|----------------------------------------------|-------------------------|-------------------------------------------|----------------------|----------------------|-------------------|------------------|
| TO-92   | 1.0A                                         | 4.6A                    | 1W                                        | 125                  | 170                  | 1.0A              | 4.6A             |
| SOW-20  | Refer to Arrays & Special Functions Section. |                         |                                           |                      |                      |                   |                  |

\* I<sub>D</sub> (continuous) is limited by max rated T<sub>J</sub>.

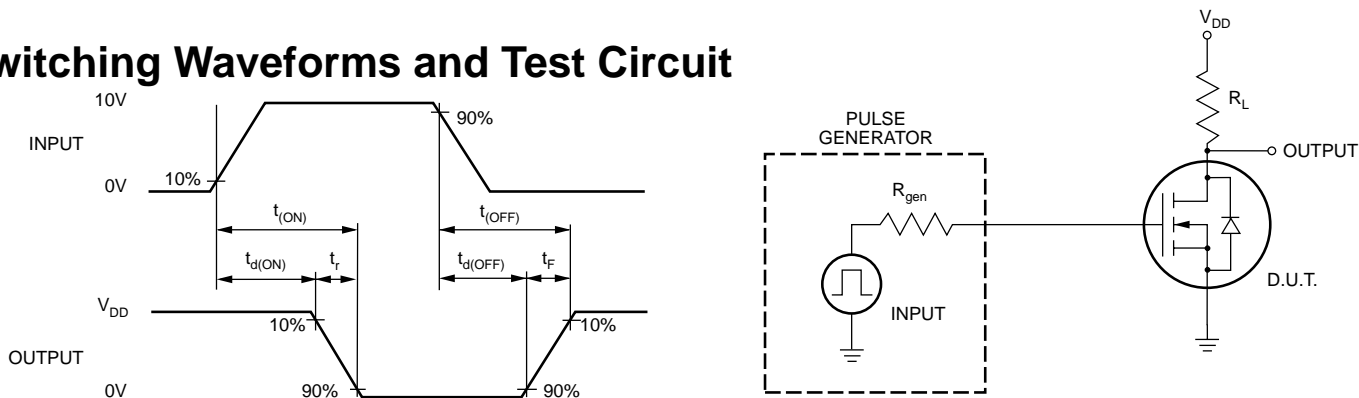
# Electrical Characteristics (@ 25°C unless otherwise specified)

| Symbol               | Parameter                                      |              | Min | Typ  | Max  | Unit  | Conditions                                                                                  |
|----------------------|------------------------------------------------|--------------|-----|------|------|-------|---------------------------------------------------------------------------------------------|
| BV <sub>DSS</sub>    | Drain-to-Source Breakdown Voltage              | TN0604       | 40  |      |      | V     | V <sub>GS</sub> = 0V, I <sub>D</sub> = 2.0mA                                                |
|                      |                                                | TN0602       | 20  |      |      |       |                                                                                             |
| V <sub>GS(th)</sub>  | Gate Threshold Voltage                         |              | 0.6 |      | 1.6  | V     | V <sub>GS</sub> = V <sub>DS</sub> , I <sub>D</sub> = 1.0mA                                  |
| ΔV <sub>GS(th)</sub> | Change in V <sub>GS(th)</sub> with Temperature |              |     | -3.8 | -4.5 | mV/°C | V <sub>GS</sub> = V <sub>DS</sub> , I <sub>D</sub> = 2.5mA                                  |
| I <sub>GSS</sub>     | Gate Body Leakage                              |              |     |      | 100  | nA    | V <sub>GS</sub> = ±20V, V <sub>DS</sub> = 0V                                                |
| I <sub>DSS</sub>     | Zero Gate Voltage Drain Current                |              |     |      | 10   | μA    | V <sub>GS</sub> = 0V, V <sub>DS</sub> = Max Rating                                          |
|                      |                                                |              |     |      | 1.0  | mA    |                                                                                             |
| I <sub>D(ON)</sub>   | ON-State Drain Current                         |              | 1.5 | 2.1  |      | A     | V <sub>GS</sub> = 5V, V <sub>DS</sub> = 20V<br>V <sub>GS</sub> = 10V, V <sub>DS</sub> = 20V |
|                      |                                                |              | 4.0 | 7.0  |      |       |                                                                                             |
| R <sub>DS(ON)</sub>  | Static Drain-to-Source ON-State Resistance     | TO-92/SOW-20 |     | 1.0  | 1.6  | Ω     | V <sub>GS</sub> = 5V, I <sub>D</sub> = 0.75A                                                |
|                      |                                                | TO-92        |     | 0.6  | 0.75 | Ω     | V <sub>GS</sub> = 10V, I <sub>D</sub> = 1.5A                                                |
|                      |                                                | SOW - 20     |     |      | 1.0  |       |                                                                                             |
| ΔR <sub>DS(ON)</sub> | Change in R <sub>DS(ON)</sub> with Temperature |              |     | 0.5  | 0.75 | %/°C  | V <sub>GS</sub> = 10V, I <sub>D</sub> = 1.5A                                                |
| G <sub>FS</sub>      | Forward Transconductance                       |              | 0.5 | 0.8  |      | ∅     | V <sub>DS</sub> = 20V, I <sub>D</sub> = 1.5A                                                |
| C <sub>ISS</sub>     | Input Capacitance                              |              |     | 140  | 190  | pF    | V <sub>GS</sub> = 0V, V <sub>DS</sub> = 20V<br>f = 1 MHz                                    |
| C <sub>OSS</sub>     | Common Source Output Capacitance               |              |     | 75   | 110  |       |                                                                                             |
| C <sub>RSS</sub>     | Reverse Transfer Capacitance                   |              |     | 25   | 50   |       |                                                                                             |
| t <sub>d(ON)</sub>   | Turn-ON Delay Time                             |              |     |      | 10   | ns    | V <sub>DD</sub> = 20V<br>I <sub>D</sub> = 0.5A<br>R <sub>GEN</sub> = 25Ω                    |
| t <sub>r</sub>       | Rise Time                                      |              |     |      | 6.0  |       |                                                                                             |
| t <sub>d(OFF)</sub>  | Turn-OFF Delay Time                            |              |     |      | 25   |       |                                                                                             |
| t <sub>f</sub>       | Fall Time                                      |              |     |      | 20   |       |                                                                                             |
| V <sub>SD</sub>      | Diode Forward Voltage Drop                     |              |     | 1.2  | 1.8  | V     | V <sub>GS</sub> = 0V, I <sub>SD</sub> = 1.5A                                                |
| t <sub>rr</sub>      | Reverse Recovery Time                          |              |     | 300  |      | ns    | V <sub>GS</sub> = 0V, I <sub>SD</sub> = 1A                                                  |

**Notes:**

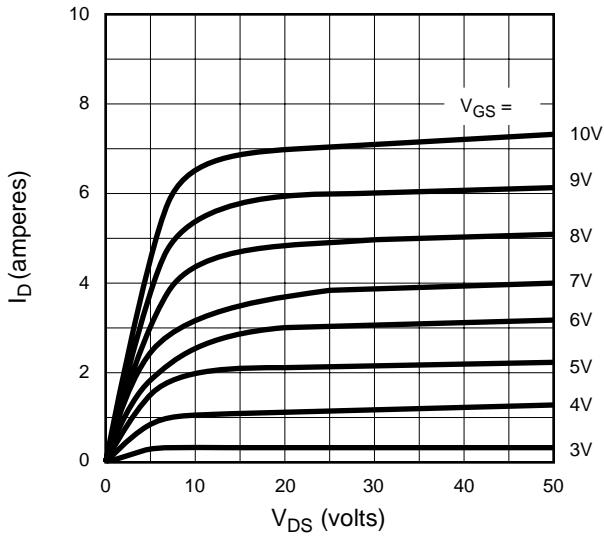
- 1: All D.C. parameters 100% tested at 25°C unless otherwise stated. (Pulse test: 300μs pulse, 2% duty cycle.)
- 2: All A.C. parameters sample tested.

# Switching Waveforms and Test Circuit

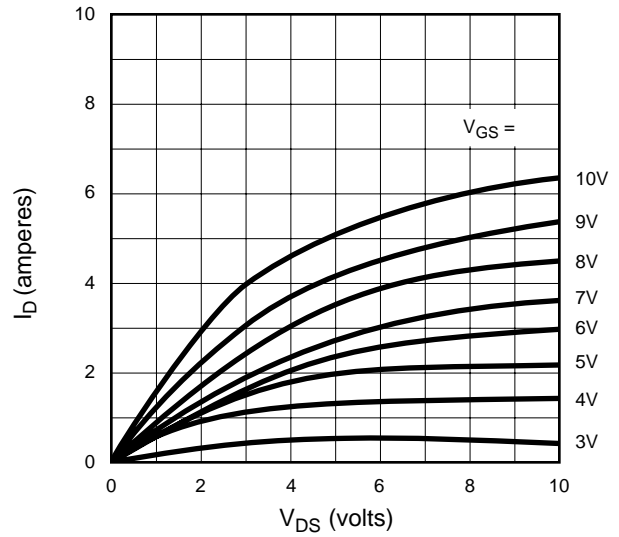


# Typical Performance Curves

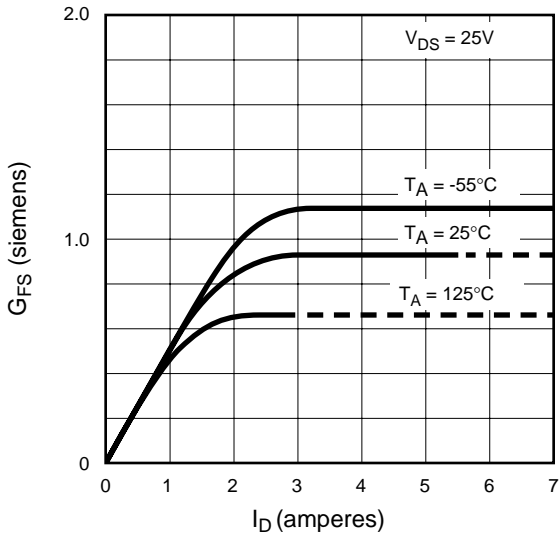
Output Characteristics



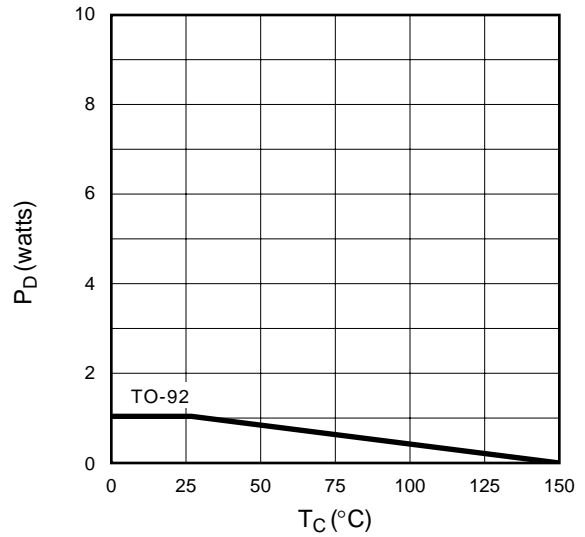
Saturation Characteristics



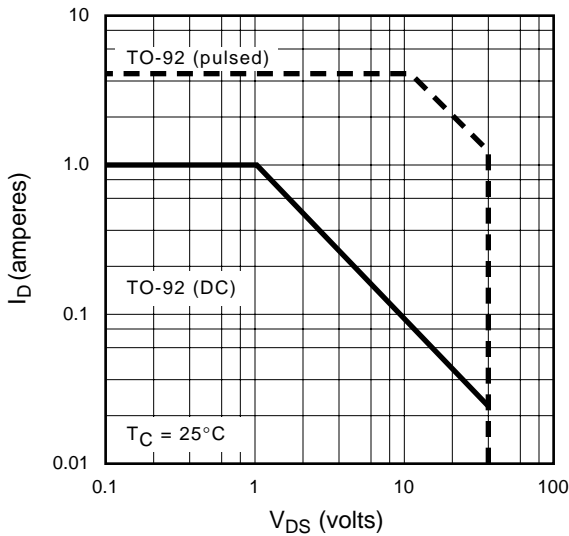
Transconductance vs. Drain Current



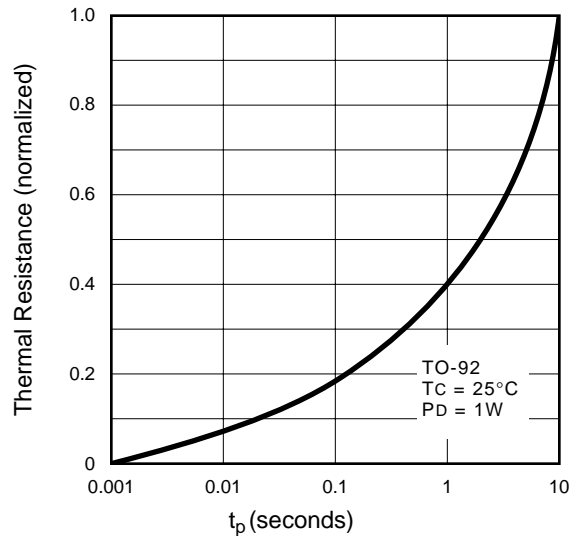
Power Dissipation vs. Case Temperature



Maximum Rated Safe Operating Area

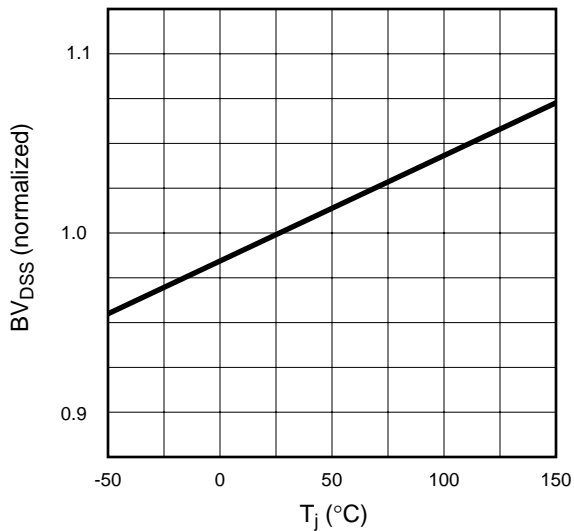


Thermal Response Characteristics

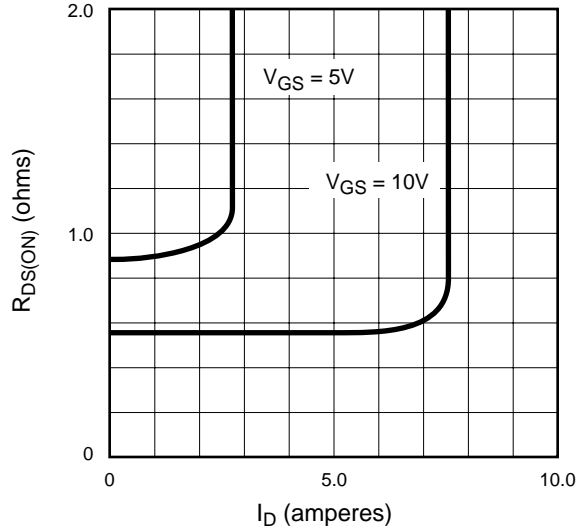


# Typical Performance Curves

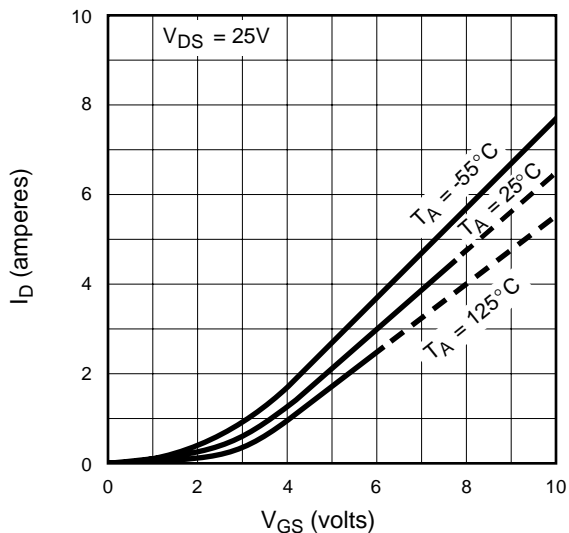
BV<sub>DSS</sub> Variation with Temperature



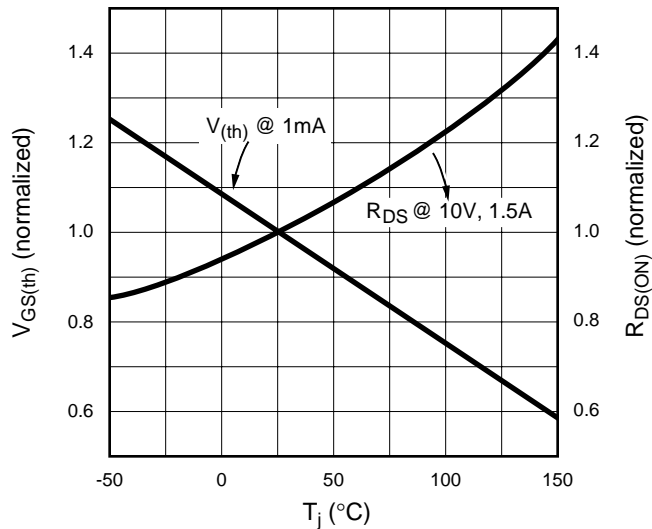
On-Resistance vs. Drain Current



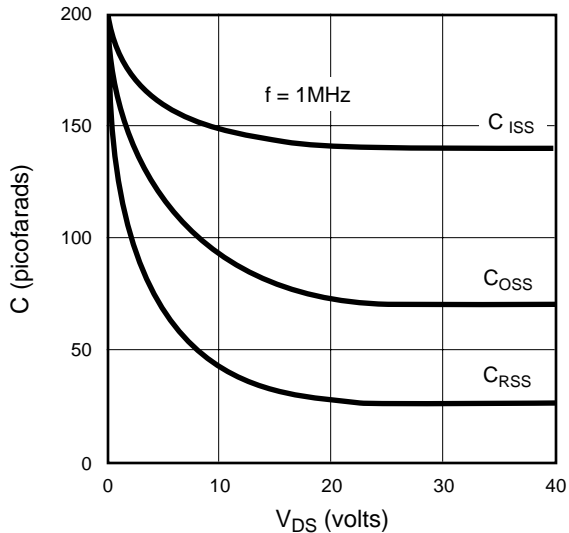
Transfer Characteristics



V<sub>(th)</sub> and R<sub>DS</sub> Variation with Temperature



Capacitance vs. Drain-to-Source Voltage



Gate Drive Dynamic Characteristics

