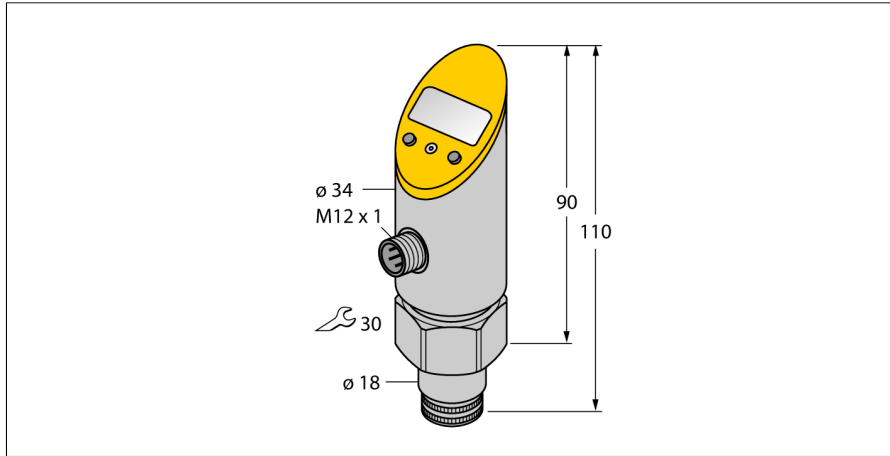
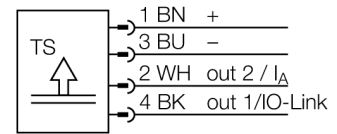


**Temperature measurement
with current output and PNP/NPN transistor switching output
output 2 reprogrammable as switching output
TS-400-LI2UPN8X-H1141**



- Reading of adjusted values without tools
- Recessed pushbutton and keylock for secure programming
- Permanent display of temperature unit (°C, °F, K, Ohm)
- Temperature peak memory

Wiring Diagram



General description

The TS series is a compact processing unit with a 4-digit, 7-segment display. Available are versions with non-rotatable (TS400) or rotatable (TS500) body and various output types.

Type designation	TS-400-LI2UPN8X-H1141
Ident-No.	6840007
Temperature range	
Measuring range	-50...500 °C
Temperature operating range	-58...932 °F
Measuring element	For connection to probes of the TP series
Response time	100 ms
Power supply	
Operating voltage	18...30 VDC
Current consumption	≤ 50 mA
Voltage drop at I _s	≤ 2 V
Protective measure	SELV; PELV according to EN 50178
Short-circuit/reverse polarity protection	yes / yes
Protection type and class	IP67 / III
Outputs	
Output 1	Switching output or IO-Link mode
Output 2	analog or switching output
Switching output	
Output function	NO/NC programmable, PNP/NPN
Switching point accuracy	± 0.2 K
Rated operational current	0.2 A
Switching frequency	≤ 180 Hz
Switching point distance	≥ 0.2 K
Switching cycles	≥ 100 mil.
Release position	-50...+499.8°C
Switching point	-49.8...+500°C
Analog output	
Operating range	4...20/ 0...20 mA (3-wire)
Load	≤ 0.5 kΩ
Accuracy (Lin. + Hys. + Rep.)	± 0.2 K
Remark	0.1% of full scale applies to temperatures > +200 °C
Repeatability	0.1 K
IO-Link	
IO-Link Specification	Specified acc. to version 1.0
Programming	FDT / DTM
Transmission physics	corresponds to 3-wire physics (PHY2)
Transmission rate	COM 2 / 38.4 kbps
Process data width	16 bit
Measured value information	14 bit
Switchpoint information	1 bit
Frame type	2.2
Genauigkeit	± 0.2 K

Temperature measurement with current output and PNP/NPN transistor switching output output 2 reprogrammable as switching output TS-400-LI2UPN8X-H1141

Temperature behaviour

Temperature coefficient zero point T_{k0}	± 0.15 % of full scale/10 K
Temperature coefficient span T_{ks}	± 0.15 % of full scale/10 K

Ambient conditions

Ambient temperature	-40...+80 °C
Storage temperature	-40...+80 °C
Vibration resistance	20 g (9...2000 Hz), according to IEC 68-2-6
Shock resistance	50 g (11 ms), acc. to IEC 68-2-27
EMC	EN 61000-4-2 ESD:4 kV CD / 8 kV AD EN 61000-4-3 HF radiated:15 V/m EN 61000-4-4 Burst:2 kV EN 61000-4-5 Surge: 1 kV, 42 Ohm EN 61000-4-6 HF conducted:10 V

Housing

Housing material	Stainless-steel/Plastic, V2A (1.4305)
Process connection	Cylindrical, \varnothing 18 mm
Electrical connection	Connector, M12 \times 1

Reference conditions acc. to IEC 61298-1

Temperature	15...+25 °C
Atmospheric pressure	860...1060 hPa abs.
Humidity	45...75 % rel.
Auxiliary power	24 VDC

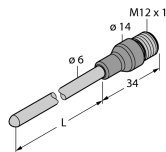
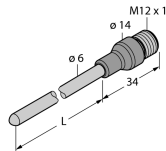
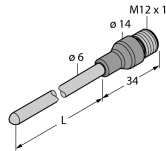
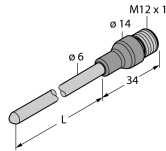
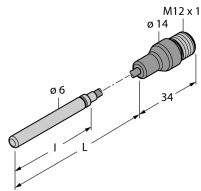
Display

Display	4-digit 7-segment, rotatable by 180°
Switching state	2 \times LEDs, Yellow
Programming options	switch/release point, hysteresis/window mode, NO/NC; unit
Unit display	4 x green LED (°C, °F, K, Ohm)

MTTF	255 years acc. to SN 29500 (Ed. 99) 20 °C
-------------	---

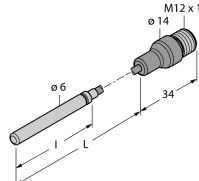
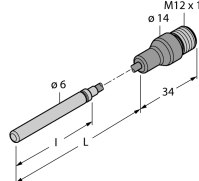
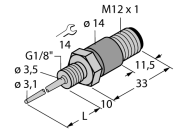
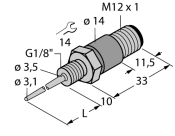
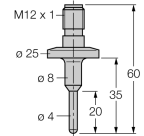
**Temperature measurement
with current output and PNP/NPN transistor switching output
output 2 reprogrammable as switching output
TS-400-LI2UPN8X-H1141**

Accessories

Type code	Ident-No.	Description	
TP-206A-CF-H1141-L200	9910477	temperature detector for liquid and gaseous media	
TP-206A-CF-H1141-L100	9910475	temperature detector for liquid and gaseous media	
TP-206A-CF-H1141-L150	9910476	temperature detector for liquid and gaseous media	
TP-206A-CF-H1141-L300	9910478	temperature detector for liquid and gaseous media	
TP-306A-CF-H1141-L1000	9910479	temperature detector for liquid and gaseous media	

**Temperature measurement
with current output and PNP/NPN transistor switching output
output 2 reprogrammable as switching output
TS-400-LI2UPN8X-H1141**

Accessories

Type code	Ident-No.	Description	
TP-306A-CF-H1141-L2000	9910480	temperature detector for liquid and gaseous media	
TP-306A-CF-H1141-L5000	9910481	temperature detector for liquid and gaseous media	
TP-103A-G1/8-H1141-L013	9910400	temperature detector for liquid and gaseous media	
TP-103A-G1/8-H1141-L024	9910401	temperature detector for liquid and gaseous media	
TP-504A-TRI3/4-H1141-L035	9910429	temperature detector for liquid and gaseous media	

**Temperature measurement
with current output and PNP/NPN transistor switching output
output 2 reprogrammable as switching output
TS-400-LI2UPN8X-H1141**

Accessories

Type code	Ident-No.	Description	
TP-504A-TRI3/4-H1141-L100	9910430	temperature detector for liquid and gaseous media	
TP-504A-DN25K-H1141-L035	9910431	temperature detector for liquid and gaseous media	
TP-504A-DN25K-H1141-L100	9910432	temperature detector for liquid and gaseous media	
BSS-18	6901320	Mounting bracket for smooth and threaded barrel devices; material: Polypropylene	
TP-103A-N1/8-H1141-L013	9910765	temperature detector for liquid and gaseous media	

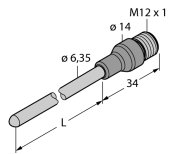
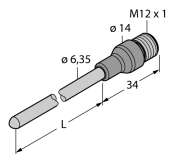
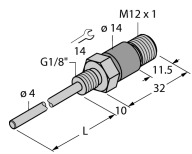
**Temperature measurement
with current output and PNP/NPN transistor switching output
output 2 reprogrammable as switching output
TS-400-LI2UPN8X-H1141**

Accessories

Type code	Ident-No.	Description	
TP-103A-N1/8-H1141-L024	9910766	temperature detector for liquid and gaseous media	
TP-103A-G1/8-H1141-L035	9910576	temperature detector for liquid and gaseous media	
TP-303B-M6-L15-6M	9910810	temperature detector for liquid and gaseous media	
TP-206.35A-CF-H1141-L100	9910819	temperature detector for liquid and gaseous media	
TP-206.35A-CF-H1141-L150	9910820	temperature detector for liquid and gaseous media	

**Temperature measurement
with current output and PNP/NPN transistor switching output
output 2 reprogrammable as switching output
TS-400-LI2UPN8X-H1141**

Accessories

Type code	Ident-No.	Description	
TP-206.35A-CF-H1141-L200	9910821	temperature detector for liquid and gaseous media	
TP-206.35A-CF-H1141-L300	9910822	temperature detector for liquid and gaseous media	
TP-104A-G1/8-H1141-L035	9910840	temperature detector for liquid and gaseous media	
TP-504A-TRI1.5-H1141-L100	9910860	temperature detector for liquid and gaseous media	