

MINIATURE SIZE METALLIZED POLYESTER FILM CAPACITOR

Suntan®

MINIATURE SIZE, NON-INDUCTIVE, EPOXY DIP COATED

TS03

FEATURES

- The small size can be compared favourably with the stacked film capacitor
- Excellent self-healing property and reliability
- Low dissipation factor
- Epoxy resin powder coating provides the identical outer appearance.

SPECIFICATIONS

RATED VOLTAGE	DC 50/63V, 100V, 160V, 250V, 400V
CAPACITANCE RANGE	0.001 TO 10uF
CAPACITANCE TOLERANCE	±5%, ±10%, ±20%
INSULATION RESISTANCE	C≤0.33Mfd ≥3750MΩ (20°C, 1min) C>0.33Mfd ≥1250S (20°C, 1min)
DISSIPATION FACTOR	≤1.0% (20°C, 1KHz)



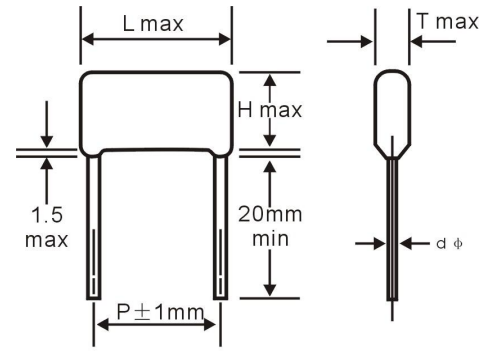
VDC	50/63V					100V				
	L	T	H	d	P	L	T	H	d	P
Mfd										
0.001~0.0056	8	5.5	7.5	0.5	5	8	5.5	7.5	0.5	5
0.0068	8	5.5	7.5	0.5	5	8	5.5	8.5	0.5	5
0.0082	8	5.5	7.5	0.5	5	8	5.5	8.5	0.5	5
0.01	8	5	7	0.5	5	8	5	7	0.5	5
	10.5	5	8	0.6	7.5	10.5	5.5	8.5	0.6	7.5
0.012	8	5	7.5	0.5	5	8	5	7.5	0.5	5
	10.5	5.5	8	0.6	7.5	10.5	5.5	8.5	0.6	7.5
0.015	8	5	7.5	0.5	5	8	5	7.5	0.5	5
	10.5	5.5	8.5	0.6	7.5	10.5	6	9	0.6	7.5
0.018	8	6.5	9.5	0.5	5	8	6.5	9.5	0.5	5
	10.5	5	8	0.6	7.5	10.5	5	8	0.6	7.5
0.022	8	5	7.5	0.5	5	8	5	7.5	0.5	5
	10.5	5	8	0.6	7.5	10.5	5	8	0.6	7.5
0.027	8	5.5	7.5	0.5	5	8	5.5	7.5	0.5	5
	10.5	5	8	0.6	7.5	10.5	5	8	0.6	7.5
0.033	8	5.5	7.5	0.5	5	8	5.5	7.5	0.5	5
	10.5	5.5	8.5	0.6	7.5	10.5	5.5	9	0.6	7.5
0.039	8	5.5	7.5	0.5	5	8	5.5	7.5	0.5	5
	10.5	5.5	9	0.6	7.5	10.5	5.5	9	0.6	7.5
0.047	8	5.5	7.5	0.5	5	8	5.5	7.5	0.5	5
	10.5	5.5	8.5	0.6	7.5	10.5	5.5	8.5	0.6	7.5
0.056	8	5.5	7.5	0.5	5	8	5.5	7.5	0.5	5
	10.5	5.5	8.5	0.6	7.5	10.5	5.5	8.5	0.6	7.5
0.068	8	5.5	7.5	0.5	5	8	5.5	7.5	0.5	5
	10.5	5.5	9	0.6	7.5	10.5	6	9	0.6	7.5
0.082	8	5.5	7.5	0.5	5	8	5.5	7.5	0.5	5
	10.5	5	9	0.6	7.5	10.5	6	9.5	0.6	7.5
0.1	8	5.5	7.5	0.5	5	8	5.5	8	0.5	5
	10.5	6.5	10	0.6	7.5	10.5	6.5	10	0.6	7.5
0.12	10.5	7	10	0.6	7.5	10.5	7	10	0.6	7.5
0.15	10.5	7	10	0.6	7.5	10.5	7	10	0.6	7.5
0.18	10.5	7	10	0.6	7.5	10.5	7	10	0.6	7.5
0.22	10.5	7.5	10.5	0.6	7.5	10.5	7.5	10.5	0.6	7.5
0.27	10.5	7.5	11	0.6	7.5	10.5	7.5	11	0.6	7.5

MINIATURE SIZE METALLIZED POLYESTER FILM CAPACITOR

Suntan®

MINIATURE SIZE, NON-INDUCTIVE, EPOXY DIP COATED

TS03



d φ : 0.6mm or 0.8mm ± 0.05mm

VDC	160V					250V					400V				
Mfd	L	T	H	d	P	L	T	H	d	P	L	T	H	d	P
0.01	10.5	5.5	8.5	0.6	7.5	10.5	5.5	8.5	0.6	7.5	10.5	5.5	8.5	0.6	7.5
0.012	10.5	6	9	0.6	7.5	10.5	6	9	0.6	7.5	10.5	6	9	0.6	7.5
0.015	10.5	6.5	9.5	0.6	7.5	10.5	6.5	9.5	0.6	7.5	10.5	6.5	9.5	0.6	7.5
0.018	10.5	5.5	8.5	0.6	7.5	10.5	5.5	8.5	0.6	7.5	10.5	5.5	8.5	0.6	7.5
0.022	10.5	5.5	8.5	0.6	7.5	10.5	5.5	8.5	0.6	7.5	10.5	5.5	8.5	0.6	7.5
0.027	10.5	5.5	9	0.6	7.5	10.5	5.5	9	0.6	7.5	10.5	5.5	9	0.6	7.5
0.033	10.5	5.5	9	0.6	7.5	10.5	5.5	9	0.6	7.5	10.5	5.5	9	0.6	7.5
0.039	10.5	5.5	9	0.6	7.5	10.5	5.5	9	0.6	7.5	10.5	5.5	9	0.6	7.5
0.047	10.5	5.5	9.5	0.6	7.5	10.5	7	10.5	0.6	7.5	10.5	5.5	9.5	0.6	7.5
0.056	10.5	6.5	9.5	0.6	7.5	10.5	6.5	9.5	0.6	7.5	10.5	6.5	9.5	0.6	7.5
0.068	10.5	7	10	0.6	7.5	10.5	7	10	0.6	7.5	10.5	7.0	10	0.6	7.5
0.082	10.5	6	9.5	0.6	7.5	10.5	6	9.5	0.6	7.5					
0.1	10.5	6.5	10	0.6	7.5	10.5	6.5	10	0.6	7.5					

Note: Specification are subject to change without notice. For more detail and update, please visit our website.