



### P/N: TS6121KX DATA SHEET

#### Feature



- Designed to meet IEEE 802.3u requirement, including 350uH OCL with 8mA bias.
- Operating temperature range: 0°C to +70°C.
- Storage temperature range: -25°C to +125°C.

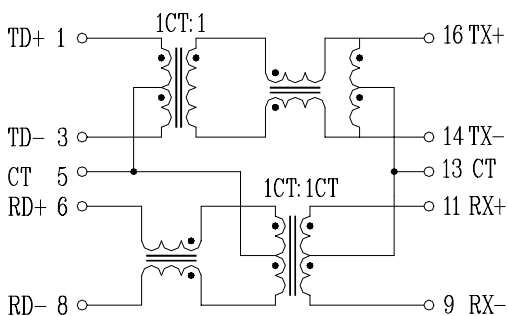
#### Electrical Specifications @ 25°C

Part Number	Turns Ratio		OCL (uH Min) @ 100KHz/0.1V with 8mA DC Bias	C <sub>w/w</sub> (pF Max)	L.L. (uH Max)	Insertion Loss (dB Max) 0.3-100 MHz	DCR (Ω Max)		HI-POT (Vrms)
	TX	RX					1-3/11-9	16-14/6-8	
TS6121KX	1CT:1	1CT:1CT	350	50	0.5	-1.15	0.9	1.1	1500

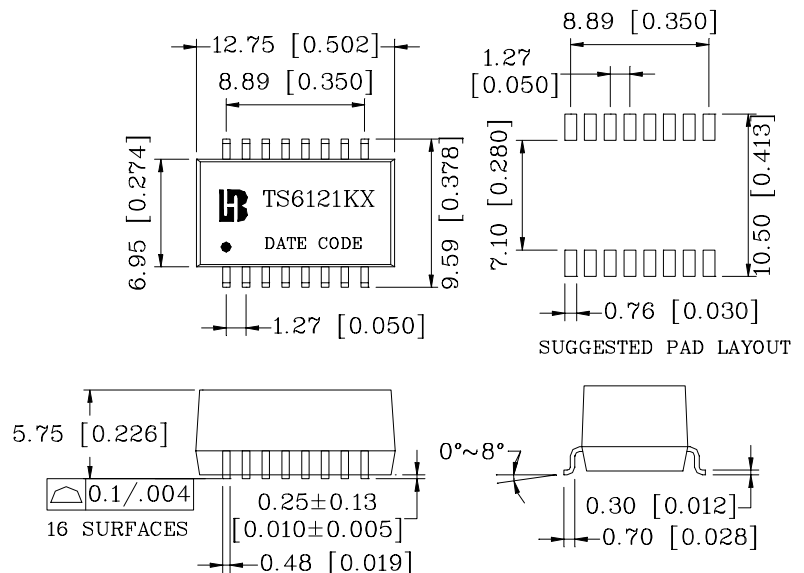
#### Continue

Part Number	Return Loss (dB Min)				Cross talk (dB Min)			DCMR (dB Min)		
	0.3-30MHz	40MHz	50MHz	60-80MHz	0.3-30MHz	60MHz	80-100MHz	0.3-30MHz	60MHz	100MHz
TS6121KX	-18	-15.5	-13.0	-12	-50	-45	-40	-42	-35	-30

#### Schematic



#### Mechanical



Units: mm [Inches] Tolerance: xx.x0±0.25 [0.010]  
0.xx±0.05 [0.002]