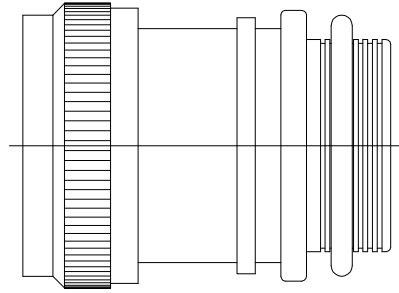


| REVISIONS | | | |
|-----------|---------------------------|---------|----------|
| LTR | DESCRIPTION | DATE | APPROVED |
| H1 | REVISED PER ECO-11-005139 | 29MAR11 | HMR |



CODE 54
STRAIGHT ADAPTER

NOTES:

- THIS PRODUCT IS DESIGNED TO TERMINATE A BRAIDED CABLE SHIELD AND A HEAT SHRINKABLE LIPPED BOOT TO A CONNECTOR.
- SEE CH00-0250-008 FOR ORDERING INFORMATION, MODIFICATIONS AND ADDITIONAL DIMENSIONS.
- SEE DRAWING "TR" FOR DETAIL ON TINEL-LOCK RING. RINGS ARE DESIGNED TO BE HEATED ELECTRICALLY. ALL RINGS ARE MARKED WITH THERMOCHROMIC PAINT WHICH CHANGES COLOR WHEN INSTALLATION TEMPERATURE IS REACHED.
- ADAPTER TO BE PERMANENTLY MARKED WITH CODE IDENT. NO. AND PART NO. LESS RING DESIGNATOR (E.G.: 06090-TXR54AB00-1206). RINGS SHALL BEAR NO MARKING.
- FOR LARGER ENTRY SIZES, A 2 PIECE ADAPTER (TYPE II) IS SUPPLIED.
- ADAPTER MATES TO MIL-C-81703, SERIES III, MS3424, MS3446, MS3464, MS3467, MS3468, CLASS E & L.
- ADAPTER MATES TO MIL-C-5015G, MS3400 SERIES, CLASS D, E, K, L, U & W: MS3400, MS3401, MS3404, MS3406, MS3450, MS3451, MS3454, MS3456, MS3470, MS3471, MS3472, MS3474, MS3475, MS3476. MIL-C-83723, SERIES II, CLASS A & L. MIL-C-83723, SERIES I & III, CLASS A, G, K, R & S: M83723/1, /2, /3, /4, /5, /6, /7, /8, /13, /14, /36, /37, /38, /39, /40, /41, /42, /43, /48, /49, /65, /66, /67, /68, /69, /70, /71, /72, /73, /74, /75, /76, /77, /78, /82, /83, /84, /85, /86, /87, /91, /92, /95, /97, /98, (MS3155 CONTROLLED INTERFACE).
- THESE DIMENSIONS APPLY IF A SELF-LOCKING COUPLING NUT IS USED. (MOD. CODE "S")

IF THIS DOCUMENT IS PRINTED IT BECOMES UNCONTROLLED.
CHECK FOR THE LATEST REVISION.

SPECIFICATION CONTROL DRAWING

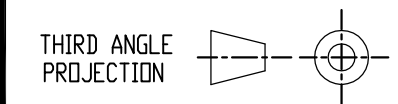
UNLESS OTHERWISE SPECIFIED
DIMENSIONS ARE IN INCHES.
METRIC DIMENSIONS ARE
IN BRACKETS.

DECIMALS
.XXX ± — [mm]
.XX ± — [mm]
.X ± — [mm]

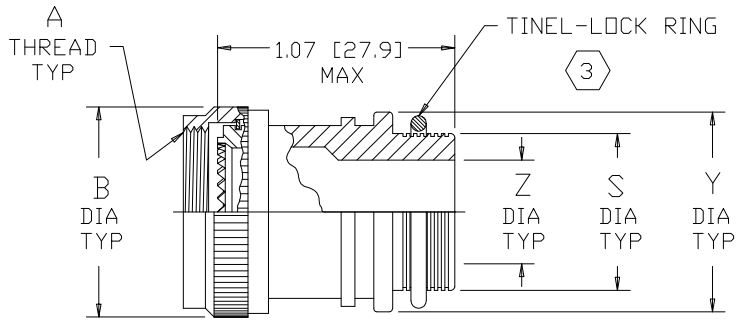
ANGLES
.X ± —

| | |
|---------------------|------------------|
| DRAWN R. RAMIREZ | DATE 03-18-93 |
| CHECKED | DATE |
| APPROVED | DATE |
| APPROVED | DATE |
| CAD NAME TXR54 | |

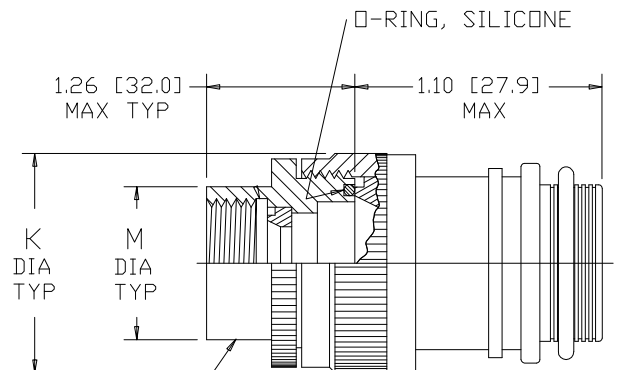
| | | |
|--|---|--|
| | TE Connectivity 300 Constitution Drive Menlo Park, CA. 94025 U.S.A. | |
| | TITLE TINEL-LOCK™ ADAPTER | |



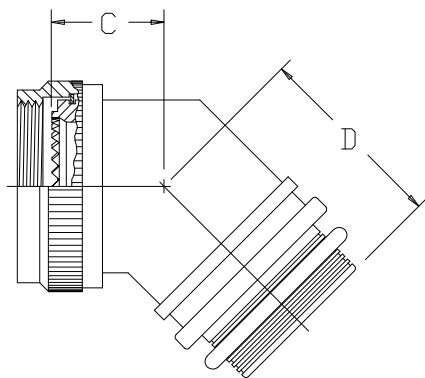
| | | |
|-----------|--------------------------|-------------------|
| SIZE A | CODE IDENT. NO. 06090 | DWG. NO. TXR54 |
|-----------|--------------------------|-------------------|



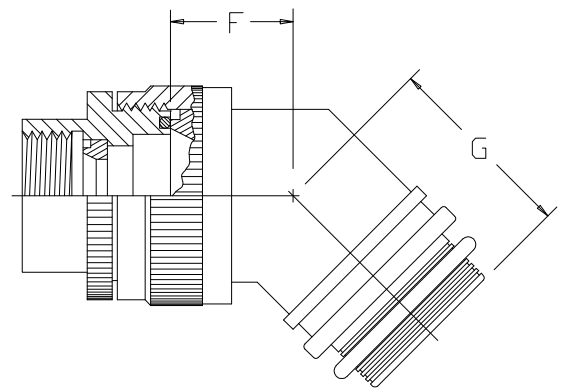
STRAIGHT ADAPTER-TYPE I



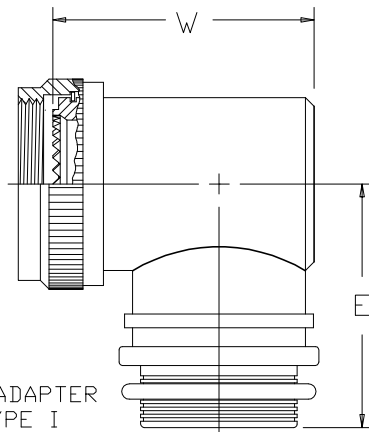
STRAIGHT ADAPTER-TYPE II



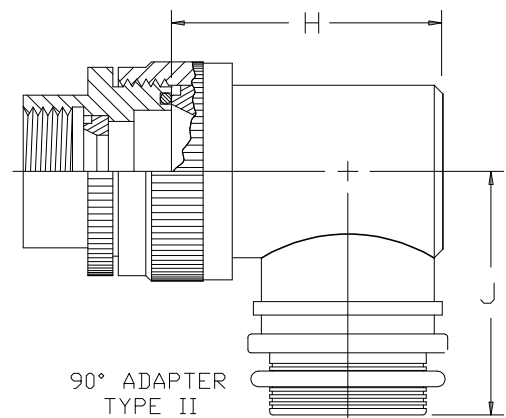
45° ADAPTER-TYPE I



45° ADAPTER-TYPE II



90° ADAPTER TYPE I



90° ADAPTER TYPE II

IF THIS DOCUMENT IS PRINTED IT BECOMES UNCONTROLLED.
CHECK FOR THE LATEST REVISION.

| | | | |
|-----------------------|-----------------|----------|--------------|
| SIZE | CODE IDENT. NO. | DWG. NO. | REV |
| A | 06090 | TXR54 | H1 |
| DO NOT SCALE THIS DWG | CAD NAME | TXR54-2 | SHEET 2 OF 3 |

TABLE I





| ORDER NO. | SHELL SIZE | | MAX ENTRY SIZE TYPE I  | A THREAD CLASS 2B | B DIA MAX | B DIA MAX  | C MAX | D MAX | E MAX | M DIA MAX |
|-----------|---|---|---|-------------------|------------------|---|----------------|----------------|----------------|------------------|
| |  |  | | | | | | | | |
| 03 | 3 | | 04 | .562-24 UNEF | .669 [16.99] | .940 [23.88] | .75 [19.1] | .91 [23.1] | 1.13 [28.7] | .695 [17.65] |
| 08 | | 8 & 8S | 04 | .500-20 UNF | .617 [15.67] | .890 [22.61] | .75 [19.1] | .91 [23.1] | 1.10 [27.9] | .630 [16.00] |
| 10 | | 10, 10S & 10SL | 06 | .625-24 UNEF | .734 [18.64] | 1.010 [25.65] | .77 [19.6] | .93 [23.6] | 1.16 [29.5] | .757 [19.23] |
| 12 | 7 | 12 & 12S | 08 | .750-20 UNEF | .858 [21.79] | 1.140 [28.96] | .80 [20.3] | .95 [24.1] | 1.22 [31.0] | .882 [22.40] |
| 14 | 12 | 14 & 14S | 08 | .875-20 UNEF | .984 [24.99] | 1.260 [32.00] | .82 [20.8] | .97 [24.6] | 1.28 [32.5] | 1.007 [25.58] |
| 16 | 19 | 16 & 16S | 10 | 1.000-20 UNEF | 1.112 [28.24] | 1.390 [35.31] | .84 [21.3] | 1.00 [25.4] | 1.35 [34.3] | 1.132 [28.75] |
| 18 | 27 | 18 | 12 | 1.062-18 UNEF | 1.218 [30.94] | 1.510 [38.35] | .86 [21.8] | 1.01 [25.7] | 1.40 [35.6] | 1.218 [30.94] |
| 20 | 37 | 20 | 14 | 1.188-18 UNEF | 1.345 [34.16] | 1.640 [41.66] | .88 [22.4] | 1.04 [26.4] | 1.46 [37.1] | 1.345 [34.16] |
| 22 | | 22 | 16 | 1.312-18 UNEF | 1.468 [37.29] | 1.760 [44.70] | .91 [23.1] | 1.06 [26.9] | 1.53 [38.9] | 1.468 [37.29] |
| 24 | | 24 | 18 | 1.438-18 UNEF | 1.593 [40.46] | 1.890 [48.00] | .93 [23.6] | 1.09 [27.7] | 1.59 [40.4] | 1.593 [40.46] |
| 28 | | 28 | 22 | 1.750-18 UNS | 1.969 [50.01] | 2.140 [54.36] | .98 [24.9] | 1.13 [28.7] | 1.78 [45.2] | 1.969 [50.01] |
| 32 | | 32 | 24 | 2.000-18 UNS | 2.219 [56.36] | 2.400 [60.96] | 1.03 [26.2] | 1.19 [30.2] | 1.90 [48.3] | 2.219 [56.36] |
| 36 | | 36 | 24 | 2.250-16 UN | 2.469 [62.71] | 2.640 [67.06] | 1.08 [27.4] | 1.23 [31.2] | 2.03 [51.6] | 2.469 [62.71] |
| 40 | | 40 | 24 | 2.500-16 UN | 2.719 [69.06] | 2.890 [73.41] | 1.12 [28.4] | 1.28 [32.5] | 2.15 [54.6] | 2.719 [69.06] |
| 44 | | 44 | 24 | 2.750-16 UN | 2.969 [75.41] | 3.140 [79.76] | 1.17 [29.7] | 1.33 [33.8] | 2.28 [57.9] | 2.969 [75.41] |
| 48 | | 48 | 24 | 3.000-16 UN | 3.219 [81.76] | 3.390 [86.11] | 1.22 [31.0] | 1.38 [35.1] | 2.40 [61.0] | 3.219 [81.76] |
| 61 | 61 | | 18 | 1.500-18 UNEF | 1.653 [41.99] | 1.880 [47.75] | .94 [23.9] | 1.09 [27.7] | 1.62 [41.1] | 1.653 [41.99] |

TABLE II

| ENTRY SIZE | Z +.010 -.020 | S DIA | Y ±.015 [±0.38] | W MAX | F MAX | G MAX | H MAX | J MAX | K MAX |
|------------|---------------------|--------------------------------|-----------------------|----------------|----------------|----------------|----------------|----------------|----------------|
| 04 | .250 [6.35] | .376 [9.56] .370 [9.39] | .550 [13.97] | 1.12 [28.4] | N/A | N/A | N/A | N/A | N/A |
| 05 | .312 [7.92] | .438 [11.13] .432 [10.97] | .612 [15.54] | 1.19 [30.2] | .77 [19.6] | .93 [23.6] | 1.19 [30.2] | 1.16 [29.5] | .80 [20.3] |
| 06 | .375 [9.53] | .501 [12.73] .495 [12.57] | .675 [17.14] | 1.25 [31.8] | .77 [19.6] | .93 [23.6] | 1.19 [30.2] | 1.16 [29.5] | .80 [20.3] |
| 07 | .437 [11.09] | .563 [14.31] .556 [14.12] | .737 [18.71] | 1.31 [33.3] | .80 [20.3] | .95 [24.1] | 1.38 [35.1] | 1.22 [31.0] | .92 [23.4] |
| 08 | .500 [12.70] | .626 [15.91] .619 [15.72] | .800 [20.32] | 1.38 [35.1] | .80 [20.3] | .95 [24.1] | 1.38 [35.1] | 1.22 [31.0] | .92 [23.4] |
| 10 | .625 [15.87] | .752 [19.11] .742 [18.84] | .925 [23.49] | 1.50 [38.1] | .84 [21.3] | 1.00 [25.4] | 1.51 [38.4] | 1.35 [34.3] | 1.18 [30.0] |
| 12 | .750 [19.05] | .877 [22.28] .867 [22.02] | 1.050 [26.67] | 1.62 [41.1] | .86 [21.8] | 1.01 [25.7] | 1.63 [41.4] | 1.40 [35.6] | 1.35 [34.3] |
| 14 | .875 [22.23] | 1.002 [25.46] .991 [25.17] | 1.175 [29.84] | 1.75 [44.5] | .88 [22.4] | 1.04 [26.4] | 1.78 [45.2] | 1.46 [37.1] | 1.41 [35.8] |
| 16 | 1.000 [25.40] | 1.127 [28.63] 1.116 [28.34] | 1.300 [33.02] | 1.88 [47.8] | .91 [23.1] | 1.06 [26.9] | 1.88 [47.8] | 1.53 [38.9] | 1.60 [40.6] |
| 18 | 1.125 [28.57] | 1.252 [31.81] 1.241 [31.52] | 1.425 [36.19] | 2.00 [50.8] | .93 [23.6] | 1.09 [27.7] | 2.01 [51.1] | 1.59 [40.4] | 1.66 [42.2] |
| 20 | 1.250 [31.75] | 1.377 [34.98] 1.366 [34.69] | 1.550 [39.37] | 2.12 [53.8] | .98 [24.9] | 1.13 [28.7] | 2.13 [54.1] | 1.78 [45.2] | 2.04 [51.8] |
| 22 | 1.375 [34.93] | 1.502 [38.15] 1.488 [37.79] | 1.675 [42.55] | 2.25 [57.2] | 1.03 [26.2] | 1.38 [35.1] | 2.29 [58.2] | 1.85 [47.0] | 2.23 [56.6] |
| 24 | 1.500 [38.10] | 1.627 [41.33] 1.613 [40.97] | 1.800 [45.72] | 2.38 [60.5] | 1.08 [27.4] | 1.44 [36.6] | 2.42 [61.5] | 1.92 [48.8] | 2.23 [56.6] |

IF THIS DOCUMENT IS PRINTED IT BECOMES UNCONTROLLED.
CHECK FOR THE LATEST REVISION.

| | | | |
|-----------------------|--------------------------|-------------------|-----------|
| SIZE A | CODE IDENT. NO. 06090 | DWG. NO. TXR54 | REV H1 |
| DO NOT SCALE THIS DWG | CAD NAME TXR54-3 | SHEET 3 OF 3 | |