

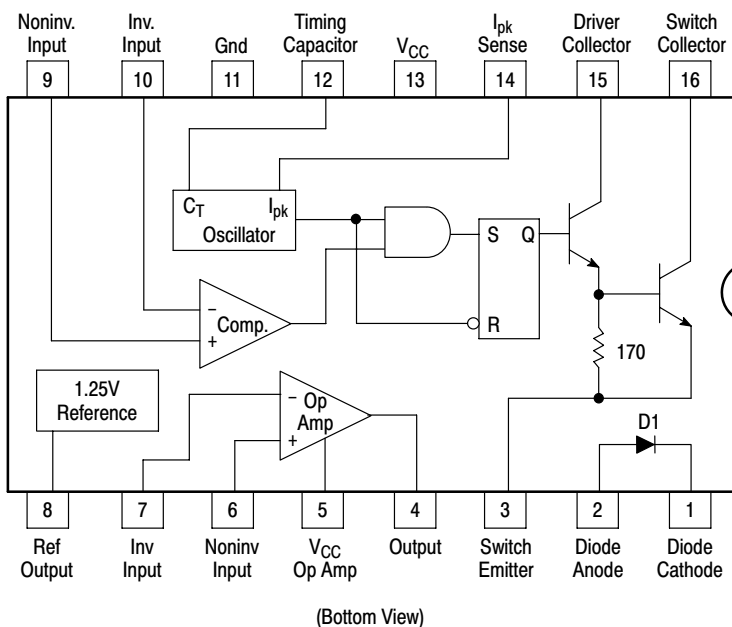
# μA78S40

## Universal Switching Regulator Subsystem

The μA78S40 is a switching regulator subsystem, consisting of a temperature compensated voltage reference, controlled-duty cycle oscillator with an active current limit circuit, comparator, high-current and high-voltage output switch, capable of 1.5 A and 40 V, pinned-out power diode and an uncommitted operational amplifier, which can be powered up or down independent of the IC supply. The switching output can drive external NPN or PNP transistors when voltages greater the 40 V, or currents in excess of 1.5 A, are required. Some of the features are wide-supply voltage range, low standby current, high efficiency and low drift. The μA78S40 is available in commercial (0° to +70°C), and automotive (-40° to +85°C) temperature ranges.

Some of the applications include use in step-up, step-down, and inverting regulators, with extremely good results obtained in battery-operated systems.

- Output Adjustable from 1.25 V to 40 V
- Peak Output Current of 1.5 A Without External Transistor
- 80 dB Line and Load Regulation
- Operation from 2.5 V to 40 V Supply
- Low Standby Current Drain
- High Gain, High Output Current, Uncommitted Op Amp



This device contains 84 active transistors.

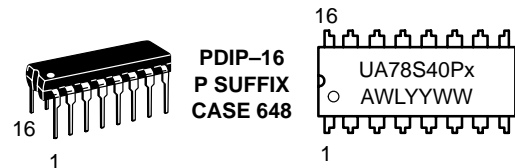
**Figure 1. Simplified Block Diagram**



**ON Semiconductor™**

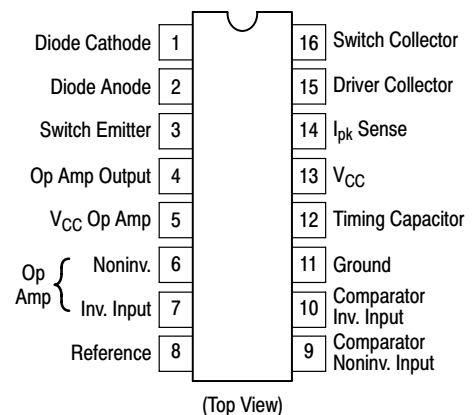
<http://onsemi.com>

### MARKING DIAGRAM



x = C or V  
 A = Assembly Location  
 WL = Wafer Lot  
 YY = Year  
 WW = Work Week

### PIN CONNECTIONS



### ORDERING INFORMATION

Device	Package	Shipping
μA78S40PC	PDIP-16	25 Units/Rail
μA78S40PV	PDIP-16	25 Units/Rail

# μA78S40

## MAXIMUM RATINGS

Rating	Symbol	Value	Unit
Power Supply Voltage	$V_{CC}$	40	V
Op Amp Power Supply Voltage	$V_{CC}$ (Op Amp)	40	V
Common Mode Input Range (Comparator and Op Amp)	$V_{ICR}$	-0.3 to $V_{CC}$	V
Differential Input Voltage (Note 2.)	$V_{ID}$	$\pm 30$	V
Output Short Circuit Duration (Op Amp)		Continuous	-
Reference Output Current	$I_{ref}$	10	mA
Voltage from Switch Collectors to Gnd		40	V
Voltage from Switch Emitters to Gnd		40	V
Voltage from Switch Collectors to Emitter		40	V
Voltage from Power Diode to Gnd		40	V
Reverse-Power Diode Voltage	$V_{DR}$	40	V
Current through Power Switch	$I_{SW}$	1.5	A
Current through Power Diode	$I_D$	1.5	A
Power Dissipation and Thermal Characteristics: Plastic Package ( $T_A = +25^\circ\text{C}$ ) Derate above $+25^\circ\text{C}$ (Note 1.)	$P_D$ $1/R_{\theta JA}$	1500 14	mW mW/°C
Storage Temperature Range	$T_{stg}$	-65 to +150	°C
Operating Temperature Range μA78S40V μA78S40C	$T_A$	-40 to +85 0 to +70	°C

## ELECTRICAL CHARACTERISTICS ( $V_{CC} = V_{CC}$ (Op Amp) 5.0 V, $T_A = T_{low}$ to $T_{high}$ , unless otherwise noted.)

Characteristic	Symbol	Min	Typ	Max	Unit
----------------	--------	-----	-----	-----	------

### GENERAL

Supply Voltage	$V_{CC}$	2.5	-	40	V
Supply Current (Op Amp $V_{CC}$ , disconnected) ( $V_{CC} = 5.0$ V) ( $V_{CC} = 40$ V)	$I_{CC}$	- -	1.8 2.3	3.5 5.0	mA
Supply Current (Op Amp $V_{CC}$ , connected) ( $V_{CC} = 5.0$ V) ( $V_{CC} = 40$ V)	$I_{CC}$	- -	- -	4.0 5.5	mA

### REFERENCE

Reference Voltage ( $I_{ref} = 1.0$ mA)	$V_{ref}$	1.180	1.245	1.310	V
Reference Voltage Line Regulation ( $3.0$ V $\leq V_{CC} \leq 40$ V, $I_{ref} = 1.0$ mA, $T_A = 25^\circ\text{C}$ )	$Reg_{line}$	-	0.04	0.2	mV/V
Reference Voltage Load Regulation ( $1.0$ mA $\leq I_{ref} \leq 10$ mA, $T_A = 25^\circ\text{C}$ )	$Reg_{load}$	-	0.2	0.5	mV/mA

1.  $T_{low} = -40^\circ$  for μA78S40PV  
=  $0^\circ$  for μA78S40PC

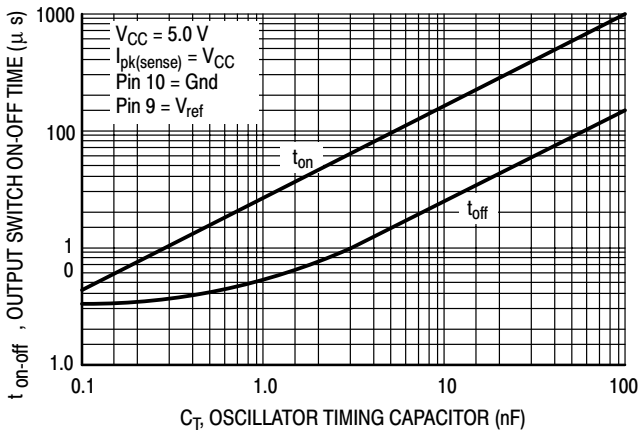
$T_{high} = +85^\circ$  for μA78S40PV  
=  $+70^\circ$  for μA78S40PC

2. For supply voltages less than 30 V the maximum differential input voltage (Error Amp and Op Amp) is equal to the supply voltage.

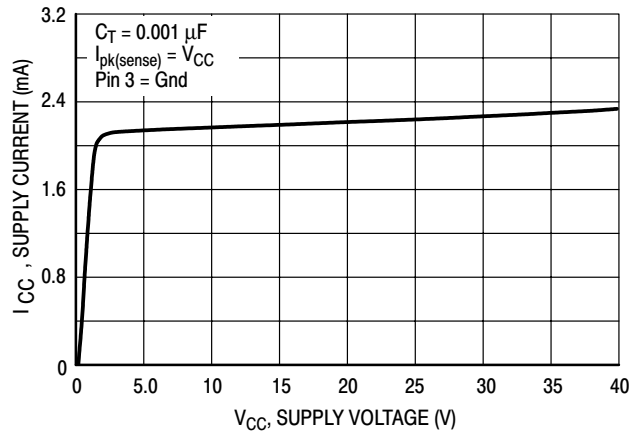
# μA78S40

## ELECTRICAL CHARACTERISTICS ( $V_{CC} = V_{CC} \text{ (Op Amp)}$ 5.0 V, $T_A = T_{low}$ to $T_{high}$ , unless otherwise noted.)

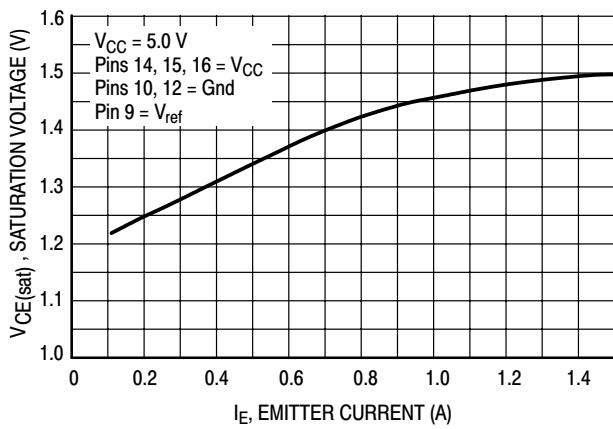
Characteristic	Symbol	Min	Typ	Max	Unit
<b>OSCILLATOR</b>					
Charging Current ( $T_A = 25^\circ\text{C}$ ) ( $V_{CC} = 5.0 \text{ V}$ ) ( $V_{CC} = 40 \text{ V}$ )	$I_{chg}$	20 20	– –	50 70	$\mu\text{A}$
Discharging Current ( $T_A = 25^\circ\text{C}$ ) ( $V_{CC} = 5.0 \text{ V}$ ) ( $V_{CC} = 40 \text{ V}$ )	$I_{dis}$	150 150	– –	250 350	$\mu\text{A}$
Oscillator Voltage Swing ( $T_A = 25^\circ\text{C}$ ) ( $V_{CC} = 5.0 \text{ V}$ )	$V_{osc}$	–	0.5	–	V
Ratio of Charge/Discharge Time	$t_{chg}/t_{dis}$	–	6.0	–	–
<b>CURRENT LIMIT</b>					
Current–Limit Sense Voltage ( $T_A = 25^\circ\text{C}$ ) ( $V_{CC} - V_{ipk}$ Sense)	$V_{CLS}$	250	–	350	mV
<b>OUTPUT SWITCH</b>					
Output Saturation Voltage 1 ( $I_{SW} = 1.0 \text{ A}$ , Pin 15 tied to Pin 16)	$V_{sat1}$	–	0.93	1.3	V
Output Saturation Voltage 2 ( $I_{SW} = 1.0 \text{ A}$ , $I_{15} = 50 \text{ mA}$ )	$V_{sat2}$	–	0.5	0.7	V
Output Transistor Current Gain ( $T_A = 25^\circ\text{C}$ ) ( $I_C = 1.0 \text{ A}$ , $V_{CE} = 5.0 \text{ V}$ )	$h_{FE}$	–	70	–	–
Output Leakage Current ( $T_A = 25^\circ\text{C}$ ) ( $V_{CE} = 40 \text{ V}$ )	$I_{C(off)}$	–	10	–	nA
<b>POWER DIODE</b>					
Forward Voltage Drop ( $I_D = 1.0 \text{ A}$ )	$V_D$	–	1.25	1.5	V
Diode Leakage Current ( $T_A = 25^\circ\text{C}$ ) ( $V_{DR} = 40 \text{ V}$ )	$I_{DR}$	–	10	–	nA
<b>COMPARATOR</b>					
Input Offset Voltage ( $V_{CM} = V_{ref}$ )	$V_{IO}$	–	1.5	15	mV
Input Bias Current ( $V_{CM} = V_{ref}$ )	$I_{IB}$	–	35	200	nA
Input Offset Current ( $V_{CM} = V_{ref}$ )	$I_{IO}$	–	5.0	75	nA
Common Mode Voltage Range ( $T_A = 25^\circ\text{C}$ )	$V_{ICR}$	0	–	$V_{CC} - 2.0$	V
Power–Supply Rejection Ratio ( $T_A = 25^\circ\text{C}$ ) ( $3.0 \leq V_{CC} \leq 40 \text{ V}$ )	PSRR	70	96	–	dB
<b>OUTPUT OPERATION AMPLIFIER</b>					
Input Offset Voltage ( $V_{CM} = 2.5 \text{ V}$ )	$V_{IO}$	–	4.0	15	mV
Input Bias Current ( $V_{CM} = 2.5 \text{ V}$ )	$I_{IB}$	–	30	200	nA
Input Offset Current ( $V_{CM} = 2.5 \text{ V}$ )	$I_{IO}$	–	5.0	75	nA
Voltage Gain + ( $T_A = 25^\circ\text{C}$ ) ( $R_L = 2.0 \text{ k}\Omega$ to Gnd, $1.0 \text{ V} \leq V_O \leq 2.5 \text{ V}$ )	$A_{VOL+}$	25	250	–	V/mV
Voltage Gain – ( $T_A = 25^\circ\text{C}$ ) ( $R_L = 2.0 \text{ k}\Omega$ to $V_{CC}$ (Op Amp), $1.0 \text{ V} \leq V_O \leq 2.5 \text{ V}$ )	$A_{VOL-}$	25	250	–	V/mV
Common Mode Voltage Range ( $T_A = 25^\circ\text{C}$ )	$V_{ICR}$	0	–	$V_{CC} - 2.0$	V
Common Mode Rejection Ratio ( $T_A = 25^\circ\text{C}$ ) ( $V_{CM} = 0 \text{ V}$ to $3.0 \text{ V}$ )	CMRR	76	100	–	dB
Power–Supply Rejection Ratio ( $T_A = 25^\circ\text{C}$ ) ( $3.0 \text{ V} \leq V_{CC}$ (Op Amp) $\leq 40 \text{ V}$ )	PSRR	76	100	–	dB
Output Source Current ( $T_A = 25^\circ\text{C}$ )	$I_{Source}$	75	150	–	mA
Output Sink Current ( $T_A = 25^\circ\text{C}$ )	$I_{Sink}$	10	35	–	mA
Slew Rate ( $T_A = 25^\circ\text{C}$ )	SR	–	0.6	–	V/ $\mu\text{s}$
Output Low Voltage ( $T_A = 25^\circ\text{C}$ , $I_L = -5.0 \text{ mA}$ )	$V_{OL}$	–	–	1.0	V
Output High Voltage ( $T_A = 25^\circ\text{C}$ , $I_L = 50 \text{ mA}$ )	$V_{OH}$	$V_{CC}$ (Op Amp) – 3.0	–	–	V



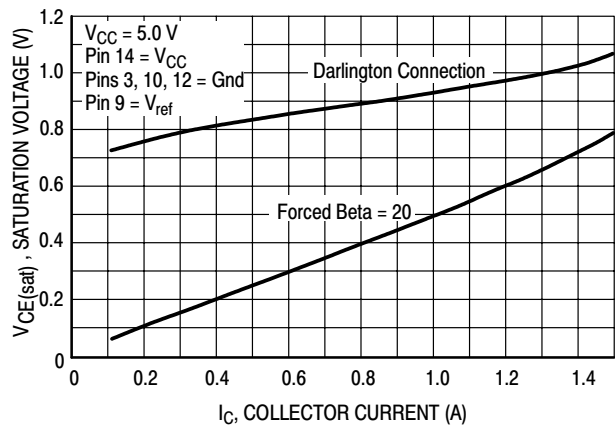
**Figure 2. Output Switch On/Off Time versus Oscillator Timing Capacitor**



**Figure 3. Standby Supply Current versus Supply Voltage**

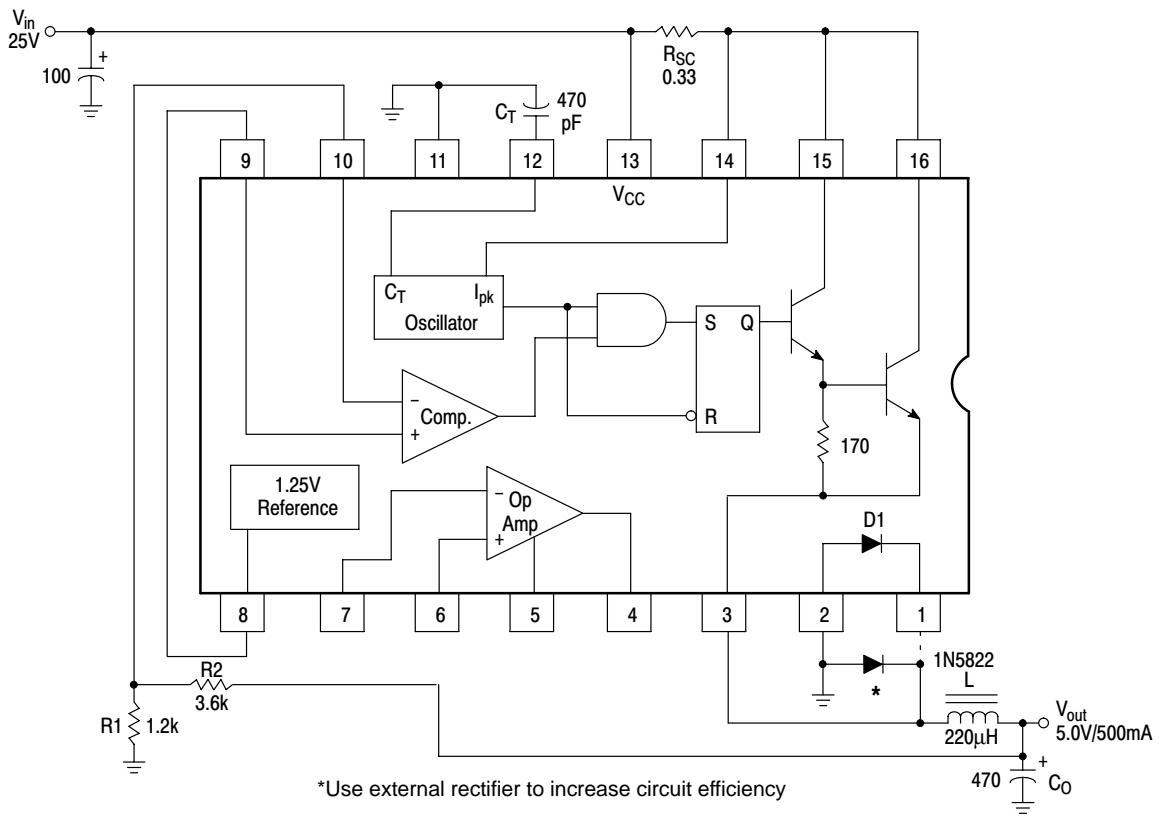


**Figure 4. Emitter-Follower Configuration Output Switch Saturation Voltage versus Emitter Current**

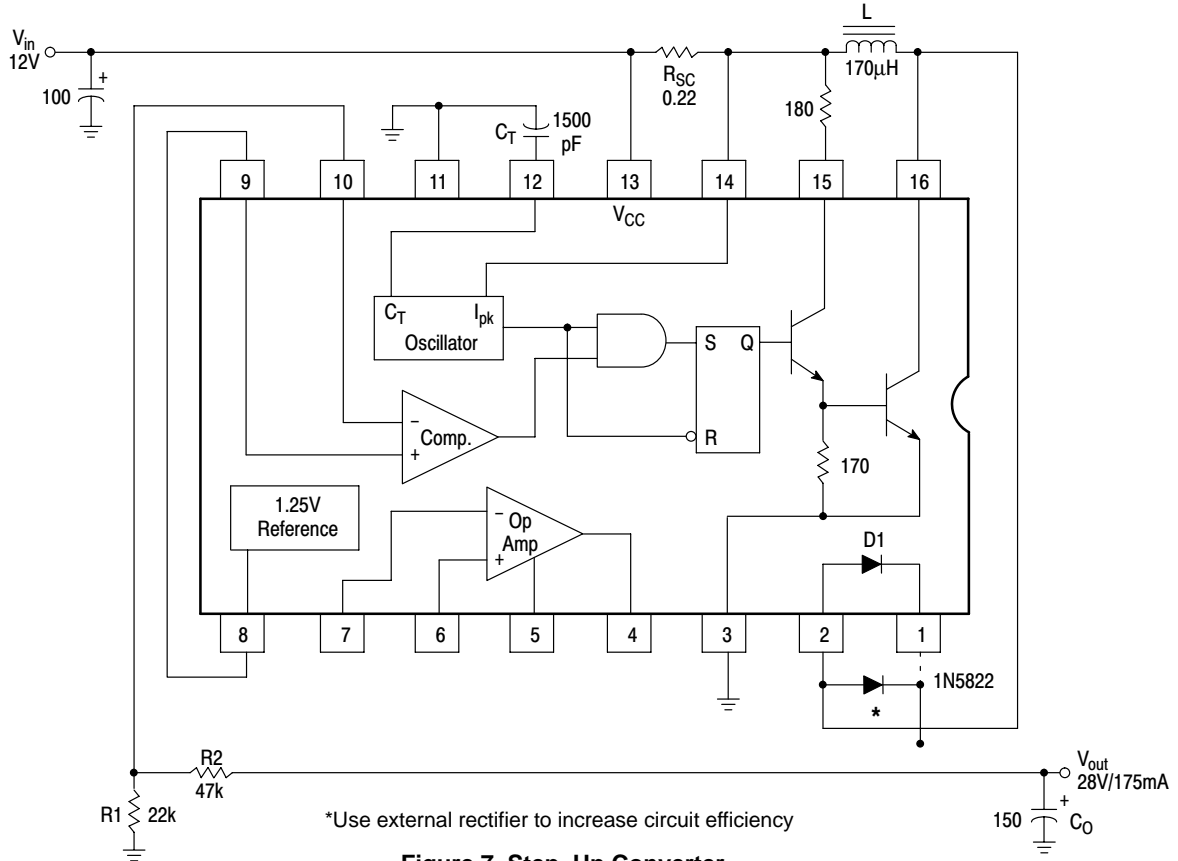


**Figure 5. Common-Emitter Configuration Output Switch Saturation Voltage versus Collector Current**

# μA78S40



**Figure 6. Step-Down Converter**



**Figure 7. Step-Up Converter**

# μA78S40

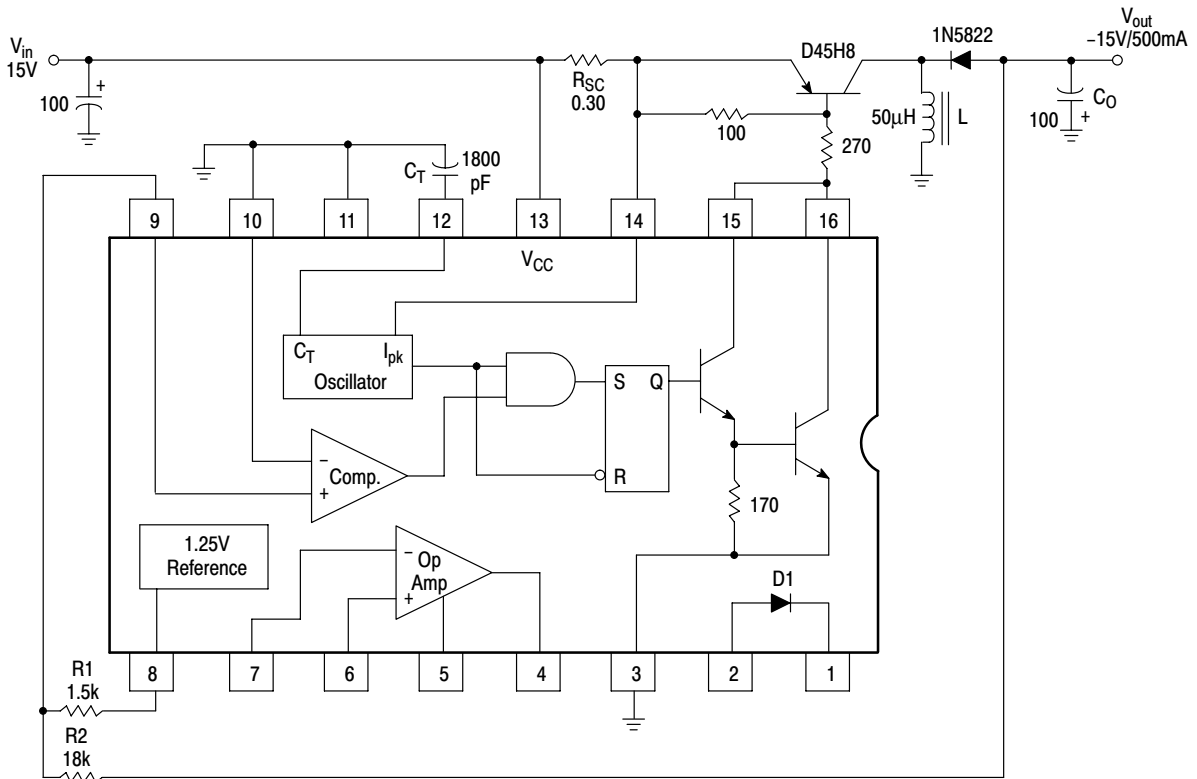


Figure 8. Inverting Converter

## Design Formula Table

Calculation	Step-Down	Step-Up	Inverting
$\frac{t_{on}}{t_{off}}$	$\frac{V_{out} + V_F}{V_{in(min)} - V_{sat} - V_{out}}$	$\frac{V_{out} - V_F}{V_{in(min)} - V_{sat}}$	$\frac{V_{out} + V_F}{V_{in(min)} - V_{sat}}$
$(t_{on} + t_{off})_{max}$	$\frac{I}{f_{min}}$	$\frac{I}{f_{min}}$	$\frac{I}{f_{min}}$
$C_T$	$4 \times 10^5 t_{on}$	$4 \times 10^5 t_{on}$	$4 \times 10^5 t_{on}$
$I_{pk(switch)}$	$2 I_{out(max)}$	$2 I_{out(max)} \left( \frac{t_{on} - t_{off}}{t_{off}} \right)$	$2 I_{out(max)} \left( \frac{t_{on} + t_{off}}{t_{off}} \right)$
$R_{SC}$	$\frac{0.33}{I_{pk(switch)}}$	$\frac{0.33}{I_{pk(switch)}}$	$\frac{0.33}{I_{pk(switch)}}$
$L_{(min)}$	$\left( \frac{V_{in(min)} - V_{sat} - V_{out}}{I_{pk(switch)}} \right) t_{on(max)}$	$\left( \frac{V_{in(min)} - V_{sat}}{I_{pk(switch)}} \right) t_{on(max)}$	$\left( \frac{V_{in(min)} - V_{sat}}{I_{pk(switch)}} \right) t_{on(max)}$
$C_O$	$\frac{I_{pk(switch)} (t_{on} + t_{off})}{8 V_{ripple(pp)}}$	$\approx \frac{I_{out} t_{on}}{V_{ripple}}$	$\approx \frac{I_{out} t_{on}}{V_{ripple}}$

$V_{sat}$  = Saturation voltage of the output switch.  $V_F$  = Forward voltage drop of the ringback rectifier.

### The following power supply characteristics must be chosen:

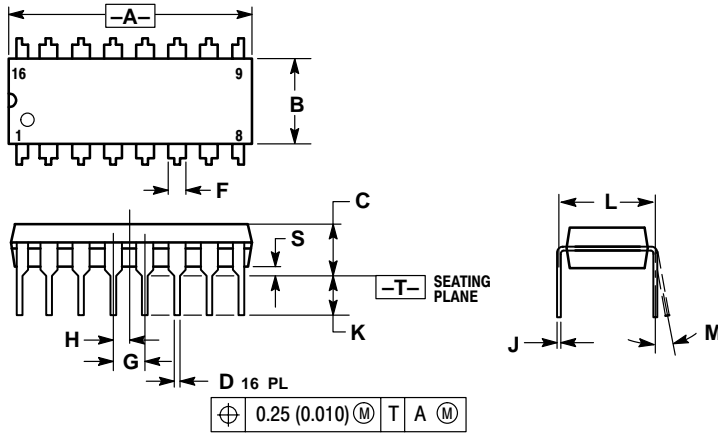
- $V_{in}$  - Nominal input voltage. If this voltage is not constant, then use  $V_{in(max)}$  for step-down and  $V_{in(min)}$  for step-up and inverting converter.
- $V_{out}$  - Desired output voltage:  $V_{out} = 1.25 \left( 1 + \frac{R_2}{R_1} \right)$  for step-down and step-up:  $V_{out} = \frac{1.25 R_2}{R_1}$  for inverting.
- $I_{out}$  - Desired output current.
- $f_{min}$  - Minimum desired output switching frequency at the selected values for  $V_{in}$  and  $I_{out}$ .
- $V_{ripple(pp)}$  - Desired peak-to-peak output ripple voltage. In practice, the calculated value will need to be increased due to the capacitor's equivalent series resistance and board layout. The ripple voltage should be kept to a low value since it will directly effect the line and load regulation.

See Application Note AN920 for further information

# μA78S40

## PACKAGE DIMENSIONS

PDIP-16  
P SUFFIX  
CASE 648-08  
ISSUE R



NOTES:

1. DIMENSIONING AND TOLERANCING PER ANSI Y14.5M, 1982.
2. CONTROLLING DIMENSION: INCH.
3. DIMENSION L TO CENTER OF LEADS WHEN FORMED PARALLEL.
4. DIMENSION B DOES NOT INCLUDE MOLD FLASH.
5. ROUNDED CORNERS OPTIONAL.

DIM	INCHES		MILLIMETERS	
	MIN	MAX	MIN	MAX
A	0.740	0.770	18.80	19.55
B	0.250	0.270	6.35	6.85
C	0.145	0.175	3.69	4.44
D	0.015	0.021	0.39	0.53
F	0.040	0.70	1.02	1.77
G	0.100 BSC		2.54 BSC	
H	0.050 BSC		1.27 BSC	
J	0.008	0.015	0.21	0.38
K	0.110	0.130	2.80	3.30
L	0.295	0.305	7.50	7.74
M	0°	10°	0°	10°
S	0.020	0.040	0.51	1.01

**ON Semiconductor** and  are trademarks of Semiconductor Components Industries, LLC (SCILLC). SCILLC reserves the right to make changes without further notice to any products herein. SCILLC makes no warranty, representation or guarantee regarding the suitability of its products for any particular purpose, nor does SCILLC assume any liability arising out of the application or use of any product or circuit, and specifically disclaims any and all liability, including without limitation special, consequential or incidental damages. "Typical" parameters which may be provided in SCILLC data sheets and/or specifications can and do vary in different applications and actual performance may vary over time. All operating parameters, including "Typicals" must be validated for each customer application by customer's technical experts. SCILLC does not convey any license under its patent rights nor the rights of others. SCILLC products are not designed, intended, or authorized for use as components in systems intended for surgical implant into the body, or other applications intended to support or sustain life, or for any other application in which the failure of the SCILLC product could create a situation where personal injury or death may occur. Should Buyer purchase or use SCILLC products for any such unintended or unauthorized application, Buyer shall indemnify and hold SCILLC and its officers, employees, subsidiaries, affiliates, and distributors harmless against all claims, costs, damages, and expenses, and reasonable attorney fees arising out of, directly or indirectly, any claim of personal injury or death associated with such unintended or unauthorized use, even if such claim alleges that SCILLC was negligent regarding the design or manufacture of the part. SCILLC is an Equal Opportunity/Affirmative Action Employer.

## PUBLICATION ORDERING INFORMATION

### **NORTH AMERICA Literature Fulfillment:**

Literature Distribution Center for ON Semiconductor  
P.O. Box 5163, Denver, Colorado 80217 USA  
**Phone:** 303-675-2175 or 800-344-3860 Toll Free USA/Canada  
**Fax:** 303-675-2176 or 800-344-3867 Toll Free USA/Canada  
**Email:** ONlit@hibbertco.com  
Fax Response Line: 303-675-2167 or 800-344-3810 Toll Free USA/Canada

**N. American Technical Support:** 800-282-9855 Toll Free USA/Canada

**EUROPE:** LDC for ON Semiconductor – European Support

**German Phone:** (+1) 303-308-7140 (Mon-Fri 2:30pm to 7:00pm CET)  
**Email:** ONlit-german@hibbertco.com  
**French Phone:** (+1) 303-308-7141 (Mon-Fri 2:00pm to 7:00pm CET)  
**Email:** ONlit-french@hibbertco.com  
**English Phone:** (+1) 303-308-7142 (Mon-Fri 12:00pm to 5:00pm GMT)  
**Email:** ONlit@hibbertco.com

**EUROPEAN TOLL-FREE ACCESS\*: 00-800-4422-3781**

\*Available from Germany, France, Italy, UK, Ireland

### **CENTRAL/SOUTH AMERICA:**

**Spanish Phone:** 303-308-7143 (Mon-Fri 8:00am to 5:00pm MST)  
**Email:** ONlit-spanish@hibbertco.com  
**Toll-Free from Mexico:** Dial 01-800-288-2872 for Access –  
then Dial 866-297-9322

**ASIA/PACIFIC:** LDC for ON Semiconductor – Asia Support

**Phone:** 303-675-2121 (Tue-Fri 9:00am to 1:00pm, Hong Kong Time)  
**Toll Free from Hong Kong & Singapore:**  
**001-800-4422-3781**

**Email:** ONlit-asia@hibbertco.com

**JAPAN:** ON Semiconductor, Japan Customer Focus Center

4-32-1 Nishi-Gotanda, Shinagawa-ku, Tokyo, Japan 141-0031  
**Phone:** 81-3-5740-2700  
**Email:** r14525@onsemi.com

**ON Semiconductor Website:** <http://onsemi.com>

For additional information, please contact your local Sales Representative.



This datasheet has been download from:

[www.datasheetcatalog.com](http://www.datasheetcatalog.com)

Datasheets for electronics components.