

MOS INTEGRATED CIRCUIT μ PD121WxxA Series

HIGH CURRENT 1.5 A GENERAL-PURPOSE CMOS REGULATOR

DESCRIPTION

The μ PD121WxxA series is general-purpose CMOS regulators which have 1.5 A output current capacity. These products are suitable for power supply of large-scale ASICs etc. By ON/OFF function, the power consumption can be kept low level at the time of off-state. This series of regulator has 3 fixed output voltage type 1.8 V, 2.5 V, 3.3 V, and adjustable output voltage type (1.8 to 3.3 V).

FEATURES

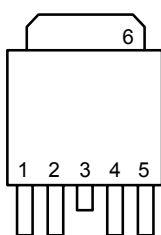
- Output Current: 1.5 A
- Output Voltage: 1.8 V, 2.5 V, 3.3 V (Fixed type) / 1.8 to 3.3 V (Adjustable type)
- Output Voltage Tolerance: $V_o \pm 2.0\%$ ($T_J = 25^\circ\text{C}$)
- Dropout Voltage: $V_{DIF} = 1.0 \text{ V MAX.}$ ($I_o = 1.5 \text{ A}$)
- Quiescent Current: 150 μA TYP. ($I_o = 0 \text{ A}$)
- Standby Current: 1 μA
- Available for laminated ceramic capacitor: (Electric capacity 10 μF or higher)
- On-chip over-current protection circuit
- On-chip thermal shut down circuit

APPLICATIONS

These regulators are suitable for large-scale ASICs which are used in digital appliances etc.

PIN CONFIGURATION (Marking Side)

5-PIN TO-252 (5-PIN MP-3ZK)



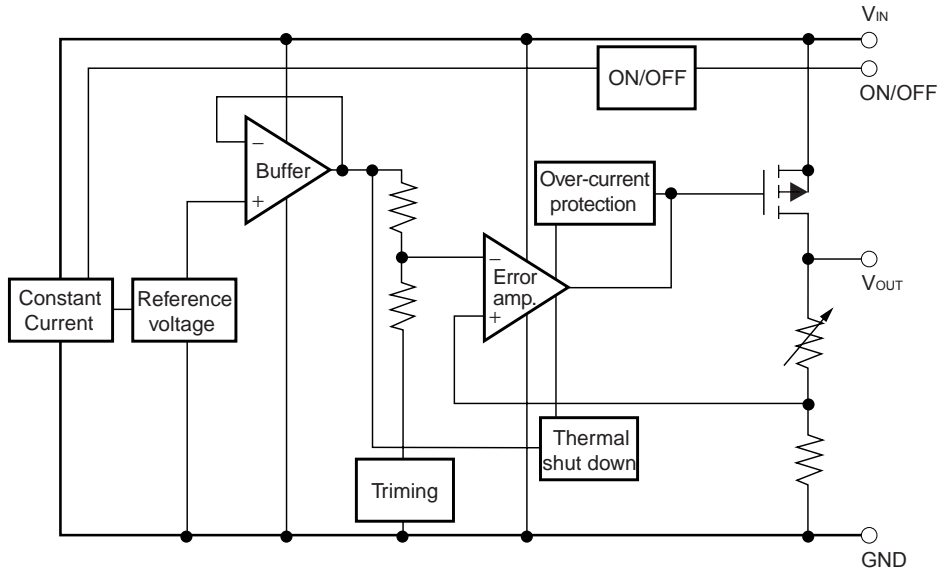
1. INPUT
2. ON/OFF
3. GND ^{Note}
4. NC / ADJ
5. OUTPUT
6. GND (Fin)

Note No.3 pin is cut and can not be connected to substrate. No.6 is Fin and common to GND pin.

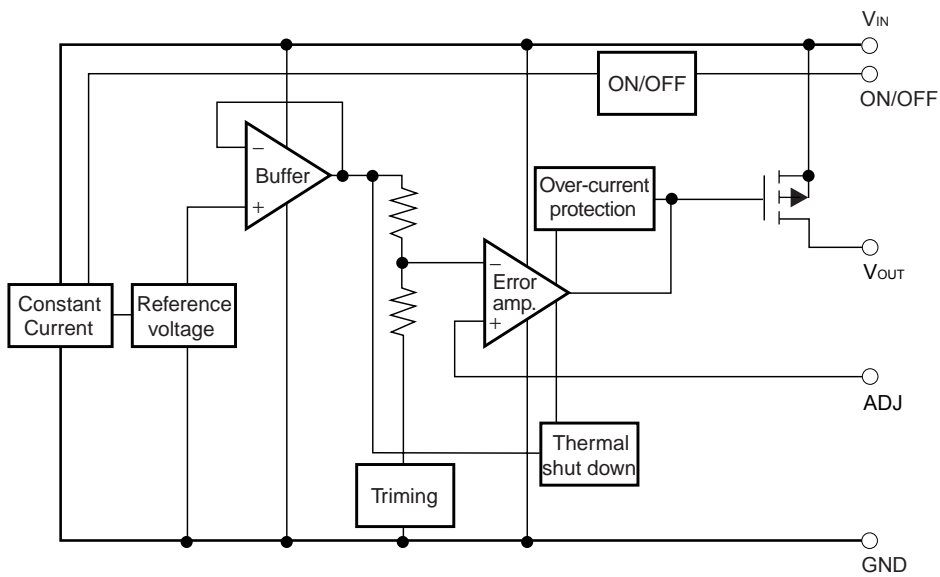
The information in this document is subject to change without notice. Before using this document, please confirm that this is the latest version.
Not all products and/or types are available in every country. Please check with an NEC Electronics sales representative for availability and additional information.

BLOCK DIAGRAM

μ PD121W18A, μ PD121W25A, μ PD121W33A



μ PD121W00A



ORDERING INFORMATION

Part Number	Package	Output Voltage	Type	Marking
μPD121W18AT1F	5-PIN TO-252 (5-PIN MP-3ZK)	1.8 V	Fixed	121W18
μPD121W25AT1F	5-PIN TO-252 (5-PIN MP-3ZK)	2.5 V	Fixed	121W25
μPD121W33AT1F	5-PIN TO-252 (5-PIN MP-3ZK)	3.3 V	Fixed	121W33
μPD121W00AT1F	5-PIN TO-252 (5-PIN MP-3ZK)	1.8 to 3.3 V	Adjustable	121W00

Remark Since it is the tape-packaged product, “-E1” or “-E2” is added to the end of its product name.

Part Number	Package	Package Type
μPD121W18AT1F-E1-AT ^{Note}	5-PIN TO-252 (5-PIN MP-3ZK)	<ul style="list-style-type: none"> • 16 mm wide embossed taping • Pin 1 on draw-out side • 2,500 pcs/reel
μPD121W18AT1F-E2-AT ^{Note}	5-PIN TO-252 (5-PIN MP-3ZK)	<ul style="list-style-type: none"> • 16 mm wide embossed taping • Pin 1 at take-up side • 2,500 pcs/reel
μPD121W25AT1F-E1-AT ^{Note}	5-PIN TO-252 (5-PIN MP-3ZK)	<ul style="list-style-type: none"> • 16 mm wide embossed taping • Pin 1 on draw-out side • 2,500 pcs/reel
μPD121W25AT1F-E2-AT ^{Note}	5-PIN TO-252 (5-PIN MP-3ZK)	<ul style="list-style-type: none"> • 16 mm wide embossed taping • Pin 1 at take-up side • 2,500 pcs/reel
μPD121W33AT1F-E1-AT ^{Note}	5-PIN TO-252 (5-PIN MP-3ZK)	<ul style="list-style-type: none"> • 16 mm wide embossed taping • Pin 1 on draw-out side • 2,500 pcs/reel
μPD121W33AT1F-E2-AT ^{Note}	5-PIN TO-252 (5-PIN MP-3ZK)	<ul style="list-style-type: none"> • 16 mm wide embossed taping • Pin 1 at take-up side • 2,500 pcs/reel
μPD121W00AT1F-E1-AT ^{Note}	5-PIN TO-252 (5-PIN MP-3ZK)	<ul style="list-style-type: none"> • 16 mm wide embossed taping • Pin 1 on draw-out side • 2,500 pcs/reel
μPD121W00AT1F-E2-AT ^{Note}	5-PIN TO-252 (5-PIN MP-3ZK)	<ul style="list-style-type: none"> • 16 mm wide embossed taping • Pin 1 at take-up side • 2,500 pcs/reel

Note Pb-free (This product does not contain Pb in the external electrode and other parts.)

ABSOLUTE MAXIMUM RATINGS (T_A = 25°C, unless otherwise specified)

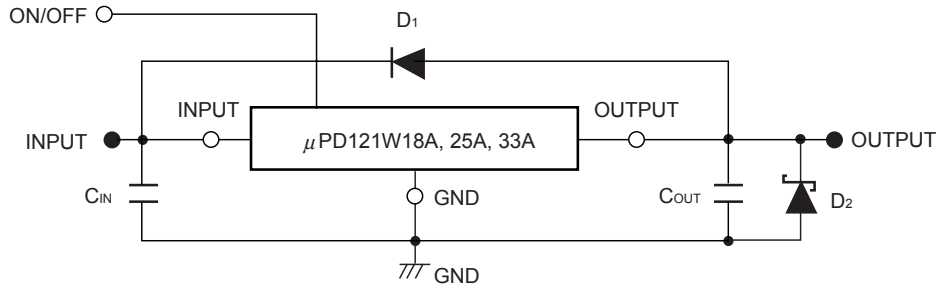
Parameter	Symbol	Rating	Unit
Input Voltage	V _{IN}	-0.3 to +6.0	V
ON/OFF Pin Voltage	V _{ON/OFF}	-0.3 to V _{IN}	V
Internal Power Dissipation (T _C = 25°C) ^{Note}	P _T	10	W
Operating Ambient Temperature	T _A	-40 to +85	°C
Operating Junction Temperature	T _J	-40 to +150	°C
Storage Temperature	T _{stg}	-55 to +150	°C
Thermal Resistance (junction to ambient)	R _{th(J-A)}	125	°C/W
Thermal Resistance (junction to case)	R _{th(J-C)}	12.5	°C/W

Note Internally limited. When the operating junction temperature rises above 150°C, the internal circuit shuts down the output voltage.

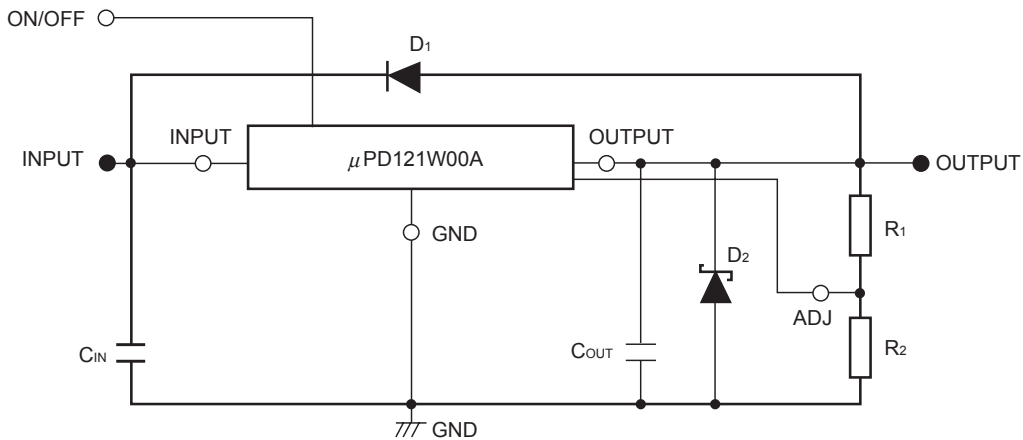
Caution Product quality may suffer if the absolute maximum rating is exceeded even momentarily for any parameter. That is, the absolute maximum ratings are rated values at which the product is on the verge of suffering physical damage, and therefore the product must be used under conditions that ensure that the absolute maximum ratings are not exceeded.

TYPICAL CONNECTION

μPD121W18A, μPD121W25A, μPD121W33A



μPD121W00A



C_{IN} : 0.1 μF or higher. Be sure to connect C_{IN} to prevent parasitic oscillation. Set this value according to the length of the line between the regulator and the INPUT pin. Use of a film capacitor or other capacitor with first-rate voltage and temperature characteristics is recommended. If using a laminated ceramic capacitor, it is necessary to ensure that C_{IN} is 0.1 μF or higher for the voltage and temperature range to be used.

C_{OUT} : 10 μF or higher. Be sure to connect C_{OUT} to prevent oscillation and improve excessive load regulation. Place C_{IN} and C_{OUT} as close as possible to the IC pins (within 1 to 2 cm). Also, in case of using a laminated ceramic capacitor, please note following items.

- It is necessary to ensure that C_{OUT} is 10 μF or higher for the voltage and temperature range to be used.
- In case of using laminated ceramic capacitor, it is easy to become state of parasitic oscillation. Because ESR of laminated ceramic capacitor is very low. Therefore, the capacitor and load condition (output current) which fulfill the condition of the stable operation area of ESR shown below are recommended.
- Stable Operation Area as below is regulated under condition of which this product is not on a substrate. Therefore impedance on substrate is not considered.

D_1 : If the OUTPUT pin has a higher voltage than the INPUT pin, connect a diode.

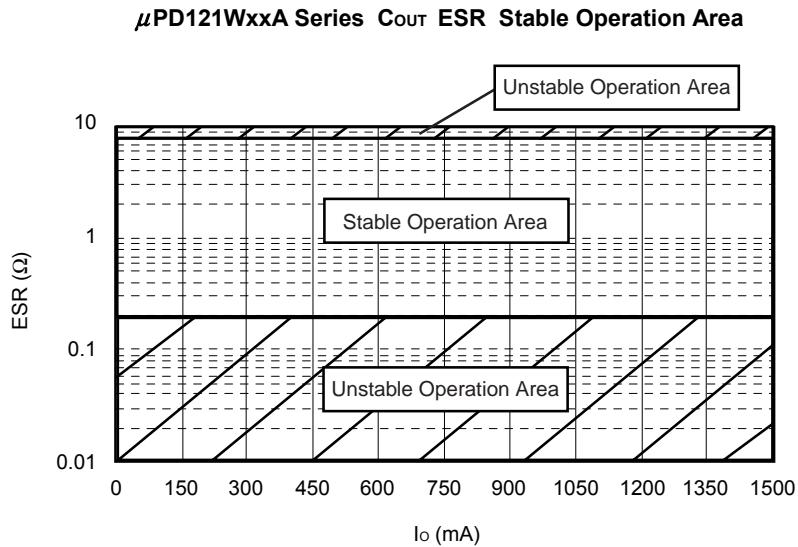
D_2 : If the OUTPUT pin has a lower voltage than the GND pin, connect a Schottky barrier diode.

R_1, R_2 : The total amount of R_1 and R_2 is sure to below 500 kΩ (375 kΩ TYP.). $R_2 = 100$ kΩ is recommended.

$$V_{OUT} = (1 + R_1/R_2) V_{ADJ} \text{ Note}$$

Note When $V_{OUT} = 3.0$ V: $R_1 = 275$ kΩ, $R_2 = 100$ kΩ

Caution Make sure that no external voltage is applied to the OUTPUT pin.



RECOMMENDED OPERATING CONDITIONS

Parameter	Symbol	Type Number	MIN.	TYP.	MAX.	Unit
Input Voltage	V _{IN}	μPD121W18A	2.8		5.5	V
		μPD121W25A	3.5		5.5	V
		μPD121W33A	4.3		5.5	V
		μPD121W00A	V _O + 1		5.5	V
Output Voltage	V _O	μPD121W00A	1.8		3.3	V
ON/OFF Pin Voltage	V _{ON/OFF}	All	0		V _{IN}	V
Output Current	I _O	All	0		1.5	A
Operating Ambient Temperature	T _A	All	-40		+85	°C
Operating Junction Temperature	T _J	All	-40		+125	°C

Caution1. Turn on V_{IN} and V_{ON/OFF} at the same time, or turn on V_{IN} first and then V_{ON/OFF}.

Turn off V_{IN} and V_{ON/OFF} at the same time, or turn off V_{ON/OFF} first and then V_{IN}.

2. If absolute maximum rating is not exceeded, you can use this product above the recommended operating range. However, since a margin with absolute maximum rating decreases, please use this product after sufficient evaluation.

ELECTRICAL CHARACTERISTICS

μPD121W18A

(T_J = 25°C, V_{IN} = V_{ON/OFF} = 2.8 V, I_O = 1.0 A, C_{IN} = 0.1 μF, C_{OUT} = 10 μF, unless otherwise specified)

Parameter	Symbol	Conditions	MIN.	TYP.	MAX.	Unit
Output Voltage	V _{O1}	—	1.764	1.8	1.836	V
	V _{O2}	2.8 V ≤ V _{IN} ≤ 5.5 V, 0 A ≤ I _O ≤ 1.5 A	(1.746)	—	(1.854)	V
Line Regulation	REG _{IN}	2.8 V ≤ V _{IN} ≤ 5.5 V	—	1	18	mV
Load Regulation	REG _L	0 A ≤ I _O ≤ 1.5 A	—	1	18	mV
Quiescent Current	I _{BIAS1}	I _O = 0 A	—	150	300	μA
	I _{BIAS2}	I _O = 1.5 A	—	(2500)	(5000)	μA
Quiescent Current Change	ΔI _{BIAS1}	2.8 V ≤ V _{IN} ≤ 5.5 V	—	(100)	(300)	μA
	ΔI _{BIAS2}	0 A ≤ I _O ≤ 1.5 A	—	(2350)	(5000)	μA
Output Noise Voltage	V _n	10 Hz ≤ f ≤ 100 kHz	—	160	—	μV _{r.m.s.}
Ripple Rejection	R • R	f = 1 kHz, 2.8 V ≤ V _{IN} ≤ 3.8 V	—	65	—	dB
Dropout Voltage	V _{DIF}	I _O = 1.5 A	—	0.6	1.0	V
Short Circuit Current	I _{Oshort}	—	—	1.0	—	A
Peak Output Current	I _{Opeak}	—	1.5	—	—	A
Temperature Coefficient of Output Voltage	ΔV _O /ΔT	I _O = 5 mA, 0°C ≤ T _J ≤ 125°C	—	0.01	—	mV/°C
ON-state Voltage	V _{ON}	I _O = 0 A	1.5	—	V _{IN}	V
OFF-state Voltage	V _{OFF}	I _O = 0 A	—	—	0.5	V
ON-state ON/OFF Pin Current	I _{ON}	I _O = 0 A	—	—	2	μA
Standby Current	I _{BIAS(OFF)}	V _{ON/OFF} = 0 V	—	—	1	μA

Remark Values in parentheses are product design values, and are thus provided as reference values.

μPD121W25A

(T_J = 25°C, V_{IN} = V_{ON/OFF} = 3.5 V, I_o = 1.0 A, C_{IN} = 0.1 μF, C_{OUT} = 10 μF, unless otherwise specified)

Parameter	Symbol	Conditions	MIN.	TYP.	MAX.	Unit
Output Voltage	V _{O1}	–	2.45	2.5	2.55	V
	V _{O2}	3.5 V ≤ V _{IN} ≤ 5.5 V, 0 A ≤ I _o ≤ 1.5 A	(2.425)	–	(2.575)	V
Line Regulation	REG _{IN}	3.5 V ≤ V _{IN} ≤ 5.5 V	–	1	25	mV
Load Regulation	REG _L	0 A ≤ I _o ≤ 1.5 A	–	1	25	mV
Quiescent Current	I _{BIAS1}	I _o = 0 A	–	150	300	μA
	I _{BIAS2}	I _o = 1.5 A	–	(2500)	(5000)	μA
Quiescent Current Change	ΔI _{BIAS1}	3.5 V ≤ V _{IN} ≤ 5.5 V	–	(100)	(300)	μA
	ΔI _{BIAS2}	0 A ≤ I _o ≤ 1.5 A	–	(2350)	(5000)	μA
Output Noise Voltage	V _n	10 Hz ≤ f ≤ 100 kHz	–	230	–	μV _{r.m.s.}
Ripple Rejection	R • R	f = 1 kHz, 3.5 V ≤ V _{IN} ≤ 4.5 V	–	60	–	dB
Dropout Voltage	V _{DIF}	I _o = 1.5 A	–	0.7	1.0	V
Short Circuit Current	I _{short}	–	–	1.0	–	A
Peak Output Current	I _{Opeak}	–	1.5	–	–	A
Temperature Coefficient of Output Voltage	ΔV _o /ΔT	I _o = 5 mA, 0°C ≤ T _J ≤ 125°C	–	–0.07	–	mV/°C
ON-state Voltage	V _{ON}	I _o = 0 A	1.5	–	V _{IN}	V
OFF-state Voltage	V _{OFF}	I _o = 0 A	–	–	0.5	V
ON-state ON/OFF Pin Current	I _{ON}	I _o = 0 A	–	–	2	μA
Standby Current	I _{BIAS(OFF)}	V _{ON/OFF} = 0 V	–	–	1	μA

Remark Values in parentheses are product design values, and are thus provided as reference values.

μPD121W33A

(T_J = 25°C, V_{IN} = V_{ON/OFF} = 5.0 V, I_O = 1.0 A, C_{IN} = 0.1 μF, C_{OUT} = 10 μF, unless otherwise specified)

Parameter	Symbol	Conditions	MIN.	TYP.	MAX.	Unit
Output Voltage	V _{O1}	–	3.234	3.3	3.366	V
	V _{O2}	4.3 V ≤ V _{IN} ≤ 5.5 V, 0 A ≤ I _O ≤ 1.5 A	(3.201)	–	(3.399)	V
Line Regulation	REG _{IN}	4.3 V ≤ V _{IN} ≤ 5.5 V	–	1	33	mV
Load Regulation	REG _L	0 A ≤ I _O ≤ 1.5 A	–	1	33	mV
Quiescent Current	I _{BIAS1}	I _O = 0 A	–	150	300	μA
	I _{BIAS2}	I _O = 1.5 A	–	(2500)	(5000)	μA
Quiescent Current Change	ΔI _{BIAS1}	4.3 V ≤ V _{IN} ≤ 5.5 V	–	(100)	(300)	μA
	ΔI _{BIAS2}	0 A ≤ I _O ≤ 1.5 A	–	(2350)	(5000)	μA
Output Noise Voltage	V _n	10 Hz ≤ f ≤ 100 kHz	–	340	–	μV _{r.m.s.}
Ripple Rejection	R • R	f = 1 kHz, 4.3 V ≤ V _{IN} ≤ 5.3 V	–	60	–	dB
Dropout Voltage	V _{DIF}	I _O = 1.5 A	–	0.6	1.0	V
Short Circuit Current	I _{Oshort}	–	–	1.0	–	A
Peak Output Current	I _{Opeak}	–	1.5	–	–	A
Temperature Coefficient of Output Voltage	ΔV _O /ΔT	I _O = 5 mA, 0°C ≤ T _J ≤ 125°C	–	–0.1	–	mV/°C
ON-state Voltage	V _{ON}	I _O = 0 A	1.5	–	V _{IN}	V
OFF-state Voltage	V _{OFF}	I _O = 0 A	–	–	0.5	V
ON-state ON/OFF Pin Current	I _{ON}	I _O = 0 A	–	–	2	μA
Standby Current	I _{BIAS(OFF)}	V _{ON/OFF} = 0 V	–	–	1	μA

Remark Values in parentheses are product design values, and are thus provided as reference values.

μPD121W00A

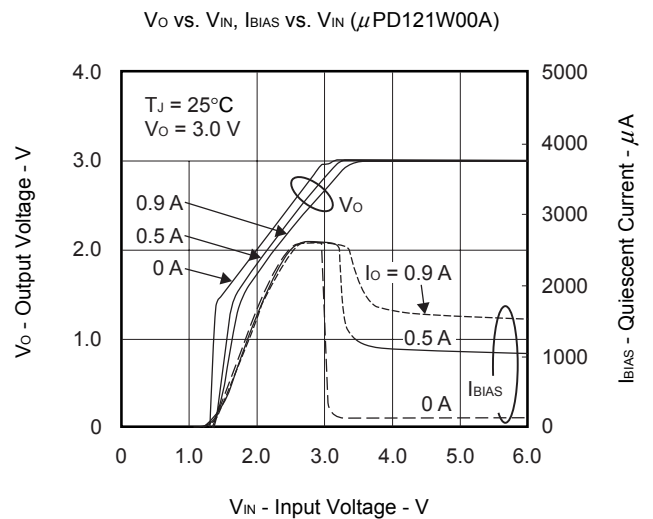
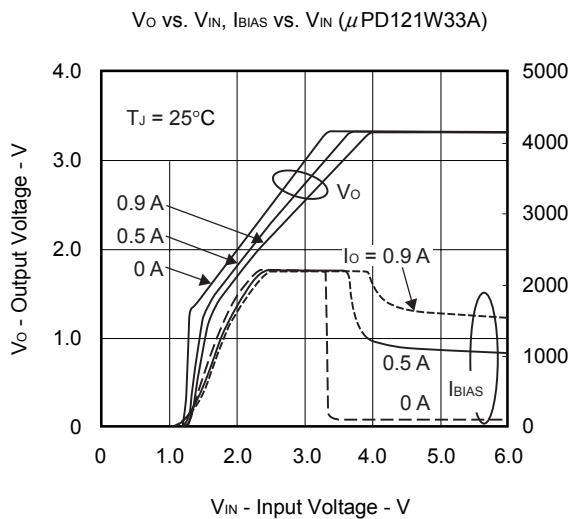
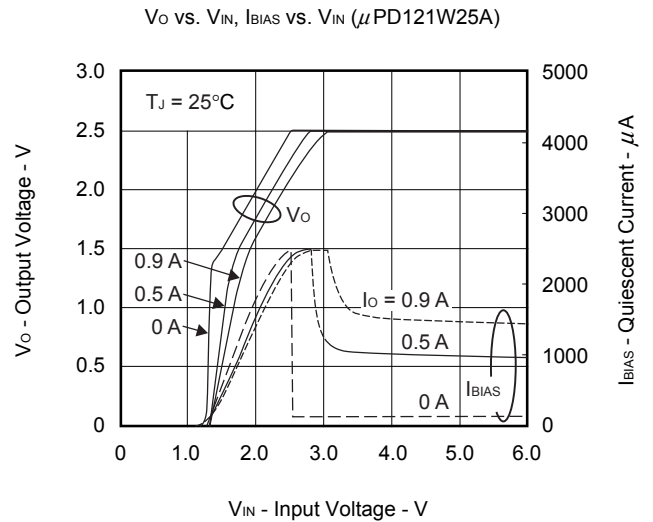
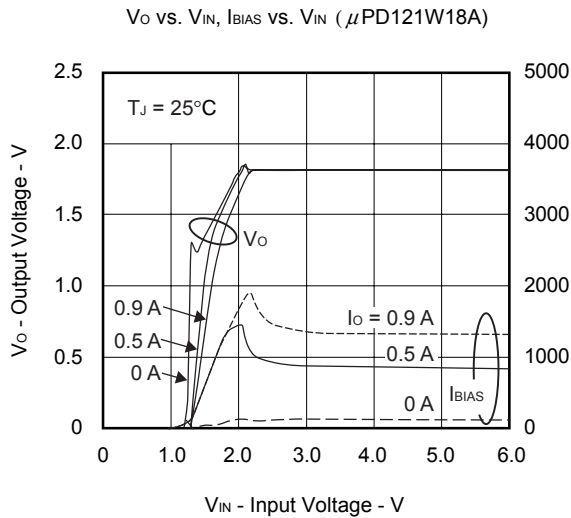
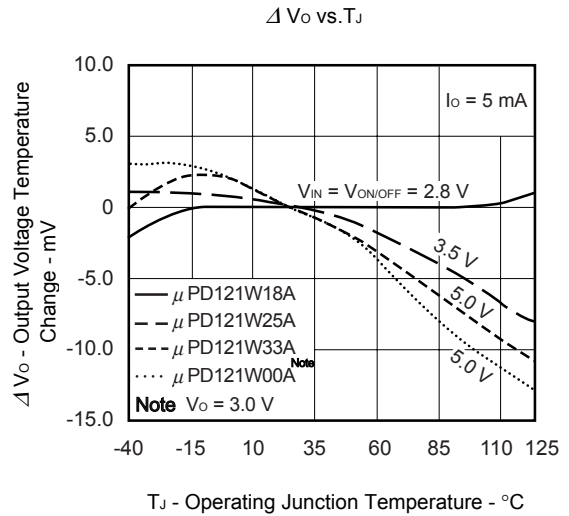
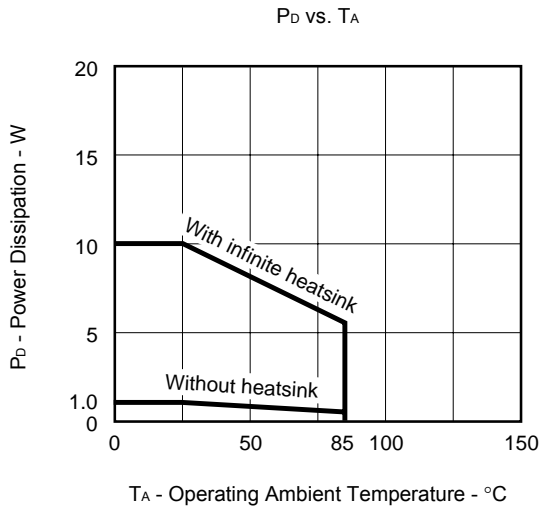
(T_J = 25°C, V_{IN} = V_{ON/OFF} = 5.0 V, I_O = 1.0 A, V_O = 3.0 V, C_{IN} = 0.1 μF, C_{OUT} = 10 μF, unless otherwise specified)

Parameter	Symbol	Conditions	MIN.	TYP.	MAX.	Unit
Reference Voltage	V _{ADJ1}	–	–2% ^{Note}	0.8	+2% ^{Note}	V
	V _{ADJ2}	2.8 V ≤ V _{IN} ≤ 5.5 V, 0 A ≤ I _O ≤ 1.5 A	(–3%) ^{Note}	–	(+3%) ^{Note}	V
Line Regulation	REG _{IN}	V _O + 1 V ≤ V _{IN} ≤ 5.5 V	–	1	1% ^{Note}	mV
Load Regulation	REG _L	0 A ≤ I _O ≤ 1.5 A	–	1	1% ^{Note}	mV
Quiescent Current	I _{BIAS1}	I _O = 0 A	–	150	300	μA
	I _{BIAS2}	I _O = 1.5 A	–	(2500)	(5000)	μA
Quiescent Current Change	ΔI _{BIAS1}	V _O + 1 V ≤ V _{IN} ≤ 5.5 V	–	(100)	(300)	μA
	ΔI _{BIAS2}	0 A ≤ I _O ≤ 1.5 A	–	(2350)	(5000)	μA
Output Noise Voltage	V _n	10 Hz ≤ f ≤ 100 kHz	–	220	–	μV _{r.m.s.}
Ripple Rejection	R • R	f = 1 kHz, V _O + 1 V ≤ V _{IN} ≤ V _O + 2 V	–	70	–	dB
Dropout Voltage	V _{DIF}	I _O = 1.5 A	–	0.6	1.0	V
Short Circuit Current	I _{Oshort}	–	–	1.0	–	A
Peak Output Current	I _{Opeak}	–	1.5	–	–	A
Temperature Coefficient of Output Voltage	ΔV _O /ΔT	I _O = 5 mA, 0°C ≤ T _J ≤ 125°C	–	–0.12	–	mV/°C
ON-state Voltage	V _{ON}	I _O = 0 A	1.5	–	V _{IN}	V
OFF-state Voltage	V _{OFF}	I _O = 0 A	–	–	0.5	V
ON-state ON/OFF Pin Current	I _{ON}	I _O = 0 A	–	–	2	μA
Standby Current	I _{BIAS(OFF)}	V _{ON/OFF} = 0 V	–	–	1	μA

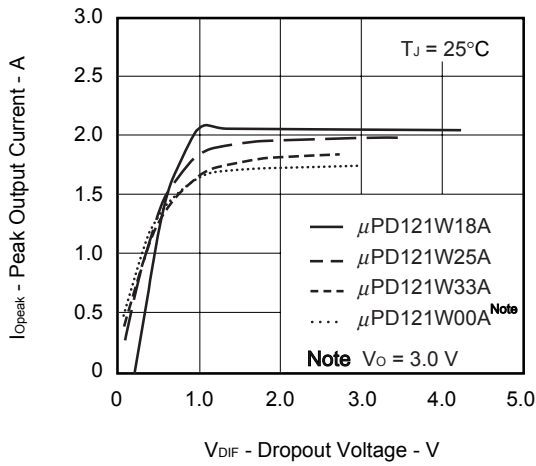
Note This is the percentage to the output voltage (V_O: the unit is V).

Remark Values in parentheses are product design values, and are thus provided as reference values.

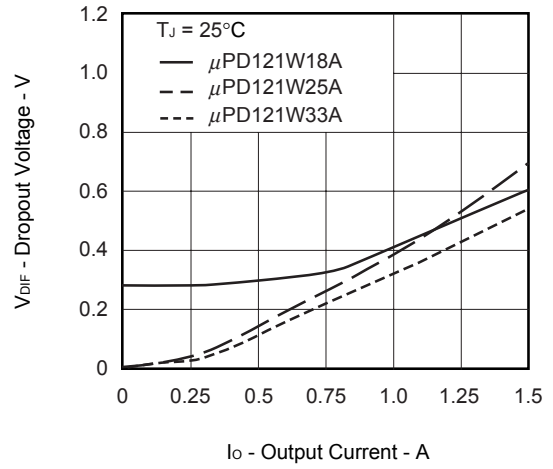
TYPICAL CHARACTERISTICS



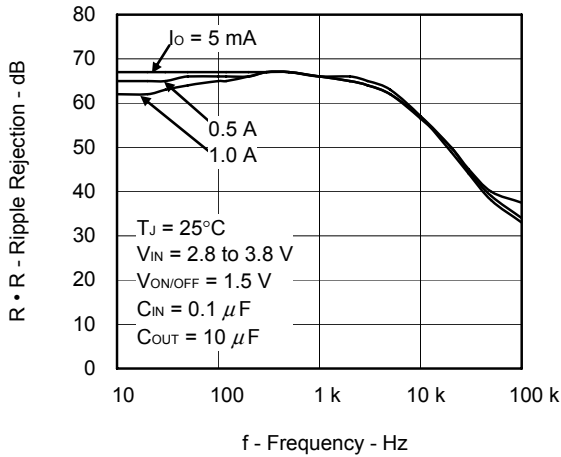
I_{Opeak} vs. V_{DIF}



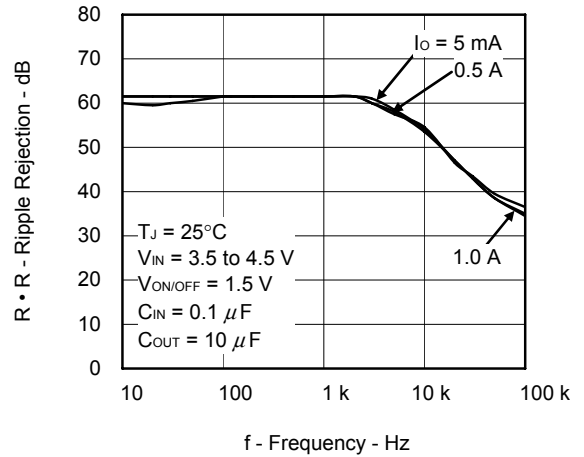
V_{DIF} vs. I_O



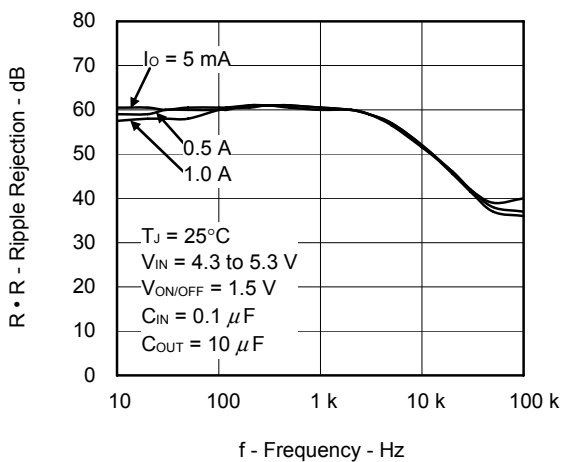
R • R vs. f ($\mu PD121W18A$)



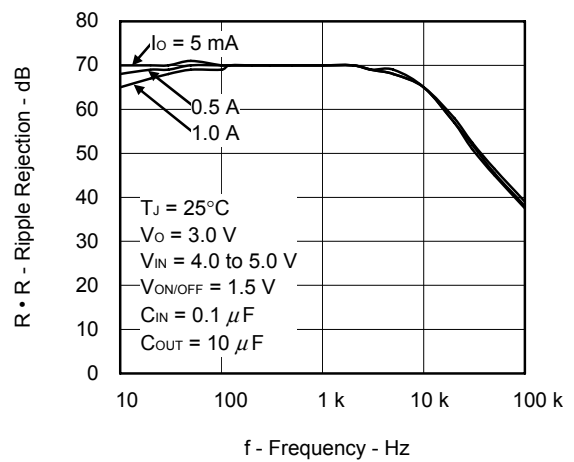
R • R vs. f ($\mu PD121W25A$)



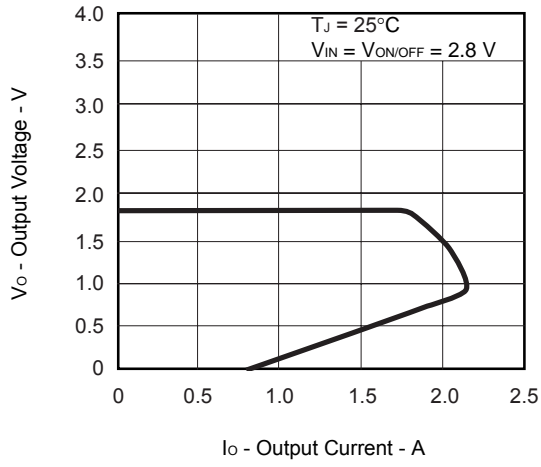
R • R vs. f ($\mu PD121W33A$)



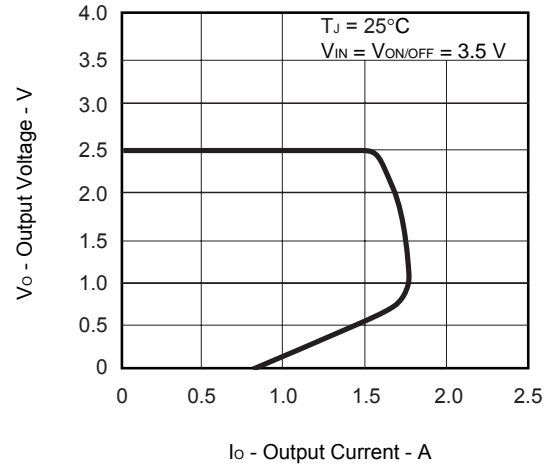
R • R vs. f ($\mu PD121W00A$)



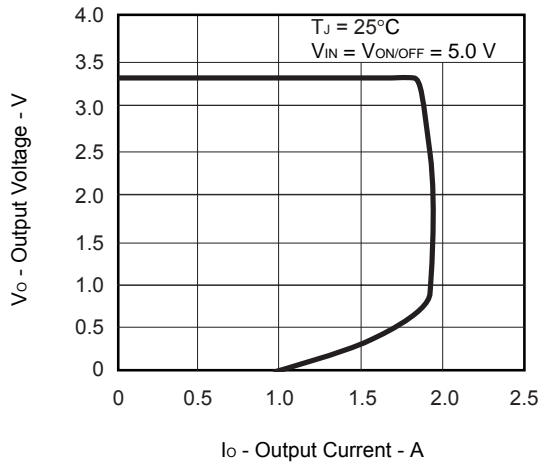
V_o vs. I_o (μ PD121W18A)



V_o vs. I_o (μ PD121W25A)

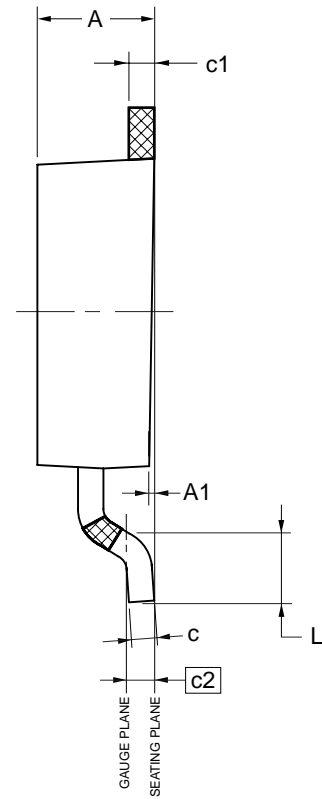
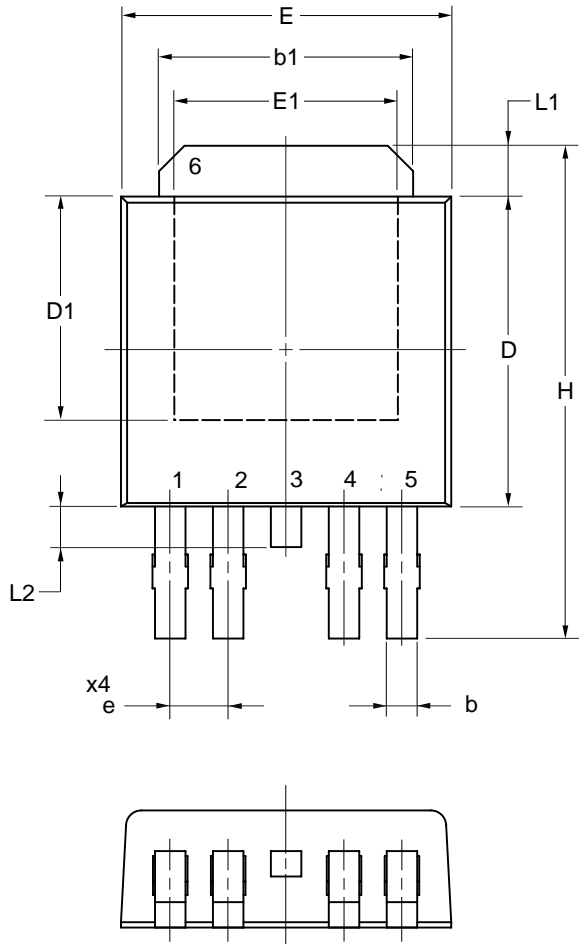


V_o vs. I_o (μ PD121W33A)



PACKAGE DRAWING (Unit: mm)

5-PIN TO-252 (MP-3ZK)



(UNIT:mm)

ITEM	DIMENSIONS
D	6.10±0.20
D1	4.4TYP(4.0MIN)
E	6.50±0.20
E1	4.4TYP(4.3MIN)
H	9.8TYP(10.3MAX)
A	2.30±0.10
A1	0 to 0.25
b	0.60±0.10
b1	5.0
c	0.50±0.10
c1	0.50±0.10
c2	0.508
e	1.14
L	1.52±0.12
L1	1.0
L2	0.80

P5T1F-114-1

NOTE

1. No Plating area

© NEC Electronics Corporation 2006

RECOMMENDED MOUNTING CONDITIONS

The μPD121WxxA Series should be soldered and mounted under the following recommended conditions.
 For soldering methods and conditions other than those recommended below, contact an NEC Electronics sales representative.
 For technical information, see the following website.

Semiconductor Device Mount Manual (<http://www.necel.com/pkg/en/mount/index.html>)

μPD121W18AT1F-AT^{Note}, μPD121W25AT1F-AT^{Note},
 μPD121W33AT1F-AT^{Note}, μPD121W00AT1F-AT^{Note}: 5-PIN TO-252 (5-PIN MP-3ZK)

Process	Conditions	Symbol
Infrared reflow	Package peak temperature: 260°C, Time: 60 seconds MAX. (at 220°C or higher), Count: Three times, Flux: Rosin flux with low chlorine (0.2 Wt% or below) recommended.	IR60-00-3
Partial Heating Method	Pin temperature: 350°C or below, Heat time: 3 seconds or less (per each side of the device).	P350

Note Pb-free (This product does not contain Pb in the external electrode and other parts.)

Caution Apply only one kind of soldering condition to a device, except for "partial heating method", or the device will be damaged by heat stress.

REFERENCE DOCUMENTS

USER'S MANUAL USAGE OF THREE TERMINAL REGULATORS Document No.G12702E
 INFORMATION VOLTAGE REGULATOR OF SMD Document No.G11872E
 SEMICONDUCTOR DEVICE MOUNT MANUAL <http://www.necel.com/pkg/en/mount/index.html>

NOTES FOR CMOS DEVICES

① VOLTAGE APPLICATION WAVEFORM AT INPUT PIN

Waveform distortion due to input noise or a reflected wave may cause malfunction. If the input of the CMOS device stays in the area between V_{IL} (MAX) and V_{IH} (MIN) due to noise, etc., the device may malfunction. Take care to prevent chattering noise from entering the device when the input level is fixed, and also in the transition period when the input level passes through the area between V_{IL} (MAX) and V_{IH} (MIN).

② HANDLING OF UNUSED INPUT PINS

Unconnected CMOS device inputs can be cause of malfunction. If an input pin is unconnected, it is possible that an internal input level may be generated due to noise, etc., causing malfunction. CMOS devices behave differently than Bipolar or NMOS devices. Input levels of CMOS devices must be fixed high or low by using pull-up or pull-down circuitry. Each unused pin should be connected to V_{DD} or GND via a resistor if there is a possibility that it will be an output pin. All handling related to unused pins must be judged separately for each device and according to related specifications governing the device.

③ PRECAUTION AGAINST ESD

A strong electric field, when exposed to a MOS device, can cause destruction of the gate oxide and ultimately degrade the device operation. Steps must be taken to stop generation of static electricity as much as possible, and quickly dissipate it when it has occurred. Environmental control must be adequate. When it is dry, a humidifier should be used. It is recommended to avoid using insulators that easily build up static electricity. Semiconductor devices must be stored and transported in an anti-static container, static shielding bag or conductive material. All test and measurement tools including work benches and floors should be grounded. The operator should be grounded using a wrist strap. Semiconductor devices must not be touched with bare hands. Similar precautions need to be taken for PW boards with mounted semiconductor devices.

④ STATUS BEFORE INITIALIZATION

Power-on does not necessarily define the initial status of a MOS device. Immediately after the power source is turned ON, devices with reset functions have not yet been initialized. Hence, power-on does not guarantee output pin levels, I/O settings or contents of registers. A device is not initialized until the reset signal is received. A reset operation must be executed immediately after power-on for devices with reset functions.

⑤ POWER ON/OFF SEQUENCE

In the case of a device that uses different power supplies for the internal operation and external interface, as a rule, switch on the external power supply after switching on the internal power supply. When switching the power supply off, as a rule, switch off the external power supply and then the internal power supply. Use of the reverse power on/off sequences may result in the application of an overvoltage to the internal elements of the device, causing malfunction and degradation of internal elements due to the passage of an abnormal current.

The correct power on/off sequence must be judged separately for each device and according to related specifications governing the device.

⑥ INPUT OF SIGNAL DURING POWER OFF STATE

Do not input signals or an I/O pull-up power supply while the device is not powered. The current injection that results from input of such a signal or I/O pull-up power supply may cause malfunction and the abnormal current that passes in the device at this time may cause degradation of internal elements. Input of signals during the power off state must be judged separately for each device and according to related specifications governing the device.

- **The information in this document is current as of July, 2007. The information is subject to change without notice. For actual design-in, refer to the latest publications of NEC Electronics data sheets or data books, etc., for the most up-to-date specifications of NEC Electronics products. Not all products and/or types are available in every country. Please check with an NEC Electronics sales representative for availability and additional information.**
- No part of this document may be copied or reproduced in any form or by any means without the prior written consent of NEC Electronics. NEC Electronics assumes no responsibility for any errors that may appear in this document.
- NEC Electronics does not assume any liability for infringement of patents, copyrights or other intellectual property rights of third parties by or arising from the use of NEC Electronics products listed in this document or any other liability arising from the use of such products. No license, express, implied or otherwise, is granted under any patents, copyrights or other intellectual property rights of NEC Electronics or others.
- Descriptions of circuits, software and other related information in this document are provided for illustrative purposes in semiconductor product operation and application examples. The incorporation of these circuits, software and information in the design of a customer's equipment shall be done under the full responsibility of the customer. NEC Electronics assumes no responsibility for any losses incurred by customers or third parties arising from the use of these circuits, software and information.
- While NEC Electronics endeavors to enhance the quality, reliability and safety of NEC Electronics products, customers agree and acknowledge that the possibility of defects thereof cannot be eliminated entirely. To minimize risks of damage to property or injury (including death) to persons arising from defects in NEC Electronics products, customers must incorporate sufficient safety measures in their design, such as redundancy, fire-containment and anti-failure features.
- NEC Electronics products are classified into the following three quality grades: "Standard", "Special" and "Specific".

The "Specific" quality grade applies only to NEC Electronics products developed based on a customer-designated "quality assurance program" for a specific application. The recommended applications of an NEC Electronics product depend on its quality grade, as indicated below. Customers must check the quality grade of each NEC Electronics product before using it in a particular application.

"Standard": Computers, office equipment, communications equipment, test and measurement equipment, audio and visual equipment, home electronic appliances, machine tools, personal electronic equipment and industrial robots.

"Special": Transportation equipment (automobiles, trains, ships, etc.), traffic control systems, anti-disaster systems, anti-crime systems, safety equipment and medical equipment (not specifically designed for life support).

"Specific": Aircraft, aerospace equipment, submersible repeaters, nuclear reactor control systems, life support systems and medical equipment for life support, etc.

The quality grade of NEC Electronics products is "Standard" unless otherwise expressly specified in NEC Electronics data sheets or data books, etc. If customers wish to use NEC Electronics products in applications not intended by NEC Electronics, they must contact an NEC Electronics sales representative in advance to determine NEC Electronics' willingness to support a given application.

(Note)

- (1) "NEC Electronics" as used in this statement means NEC Electronics Corporation and also includes its majority-owned subsidiaries.
- (2) "NEC Electronics products" means any product developed or manufactured by or for NEC Electronics (as defined above).