

## 8-BIT SINGLE-CHIP MICROCONTROLLER

### DESCRIPTION

The  $\mu$ PD178F098 is a flash memory model of the  $\mu$ PD178076, 178078, 178096, and 178098, and is provided with a flash memory to/from which data can be written/erased with the microcontroller mounted on a printed circuit board.

For the detailed functional description, refer to the following User's Manuals:

$\mu$ PD178078, 178098 Subseries User's Manual: U12790E  
78K/0 Series User's Manual - Instruction : U12326E

### FEATURES

- Serial interface (UART mode)
- IEBus™ controller
- Pin-compatible with mask ROM models (except V<sub>PP</sub> pin)
- Flash memory: 60K bytes<sup>Note</sup>
- Internal high-speed RAM: 1024 bytes
- Internal extension RAM: 2048 bytes<sup>Note</sup>
- Buffer RAM: 32 bytes
- Operable at same supply voltage as mask ROM models (V<sub>DD</sub> = 4.5 to 5.5 V during PLL operation)

**Note** The capacities of the flash memory and internal extension RAM can be changed using the memory size select register (IMS) and internal extension RAM size select register (IXS).

**Remark** For the differences between the flash memory model and mask ROM models, refer to 1. DIFFERENCES BETWEEN  $\mu$ PD178F098 AND MASK ROM MODELS.

The electrical specifications (such as supply current) in the  $\mu$ PD178F098 differ from those of the mask ROM models. Confirm these differences before mass-producing any application set.

### APPLICATION FIELD

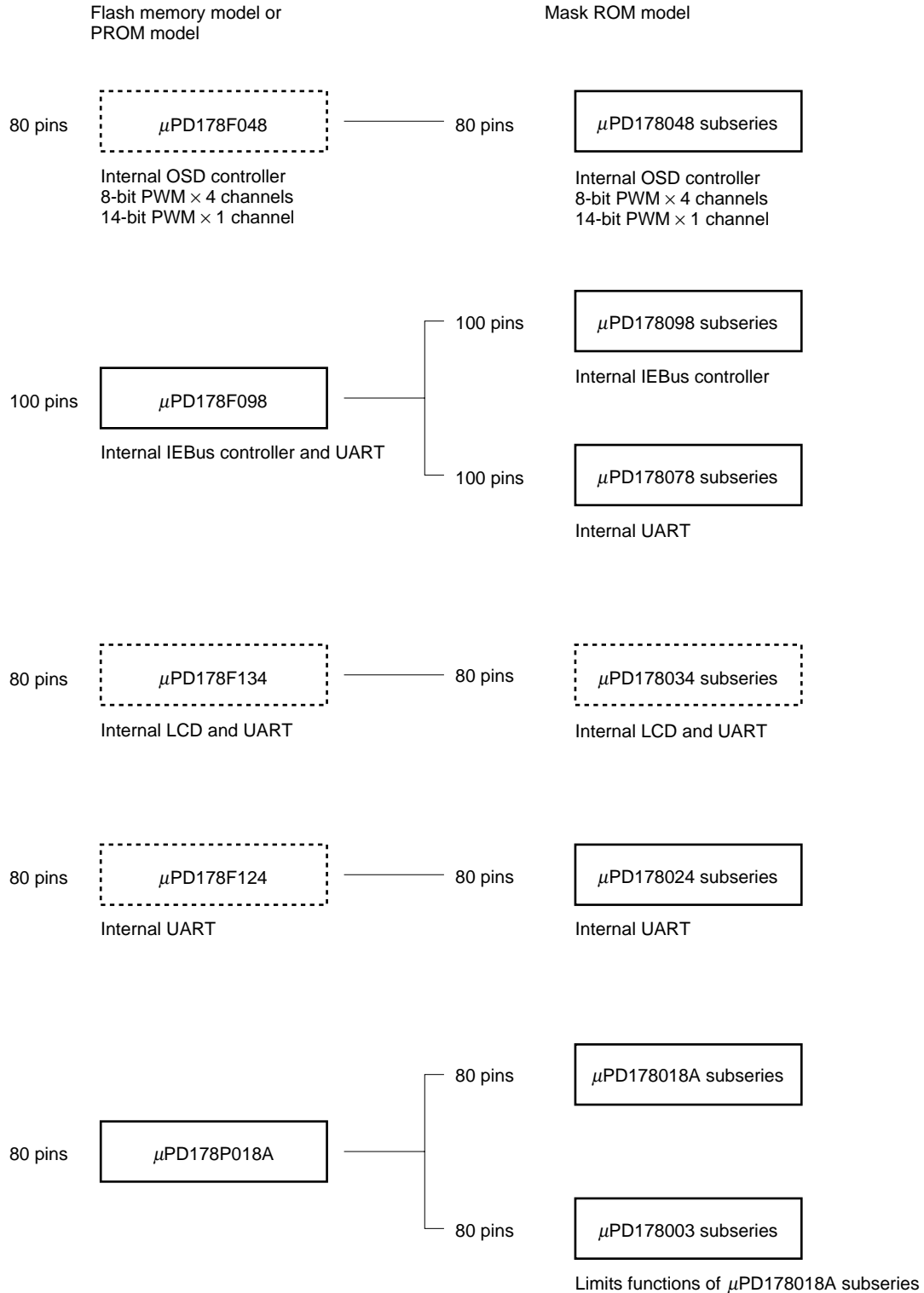
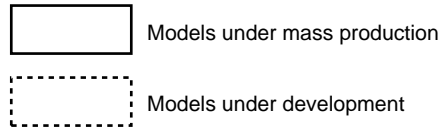
Car stereos

### ORDERING INFORMATION

Part Number	Package
$\mu$ PD178F098GF-3BA	100-pin plastic QFP (14 × 20)

The information in this document is subject to change without notice. Before using this document, please confirm that this is the latest version.  
Not all devices/types available in every country. Please check with local NEC representative for availability and additional information.

★ DEVELOPMENT OF 8-BIT DTS SERIES



FUNCTIONAL OUTLINE

(1/2)

Item		Functions
Internal memory	Flash memory	60K bytes
	High-speed RAM	1024 bytes
	Buffer RAM	32 bytes
	Extension RAM	2048 bytes
General-purpose register		8 bits × 32 registers (8 bits × 8 registers × 4 banks)
Minimum instruction execution time		<ul style="list-style-type: none"> <li>• 0.32 μs/0.64 μs/1.27 μs/2.54 μs/5.08 μs (with crystal resonator of f<sub>x</sub> = 6.3 MHz)</li> <li>• 0.44 μs/0.89 μs/1.78 μs/3.56 μs/7.11 μs (with crystal resonator of f<sub>x</sub> = 4.5 MHz)<sup>Note 1</sup></li> </ul>
Instruction set		<ul style="list-style-type: none"> <li>• 16-bit operation</li> <li>• Multiplication/division (8 bits × 8 bits, 16 bits ÷ 8 bits)</li> <li>• Bit manipulation (set, reset, test Boolean operation)</li> <li>• BCD adjustment, etc.</li> </ul>
I/O port		Total : 80 pins <ul style="list-style-type: none"> <li>• CMOS input : 8 pins</li> <li>• CMOS I/O : 64 pins</li> <li>• N-ch open-drain output : 8 pins</li> </ul>
A/D converter		8-bit resolution × 8 channels
Serial interface		<ul style="list-style-type: none"> <li>• 3-wire/SBI/2-wire/I<sup>2</sup>C bus<sup>Note 2</sup> mode selectable : 1 channel</li> <li>• 3-wire mode : 1 channel</li> <li>• 3-wire mode (with automatic transmit/receive function of up to 32 bytes): 1 channel</li> <li>• UART mode : 1 channel</li> </ul>
IEBus controller		Provided
Timer		<ul style="list-style-type: none"> <li>• Basic timer (timer carry FF (10 Hz)) : 1 channel</li> <li>• 16-bit timer/event counter : 1 channel</li> <li>• 8-bit timer/event counter : 2 channels</li> <li>• Watchdog timer : 1 channel</li> </ul>
Buzzer output		BEEP0 pin: 1 kHz, 1.5 kHz, 3 kHz, 4 kHz BUZ pin: 0.77 kHz, 1.54 kHz, 3.08 kHz, 6.15 kHz (with crystal resonator of f <sub>x</sub> = 6.3 MHz)
Vectored interrupt source	Maskable	Internal : 15, External: 8
	Non-maskable	Internal: 1
	Software	1
PLL frequency synthesizer	Division mode	2 types <ul style="list-style-type: none"> <li>• Direct division mode (VCOL pin)</li> <li>• Pulse swallow mode (VCOL and VCOH pins)</li> </ul>
	Reference frequency	Seven types selectable in software (1, 3, 9, 10, 12.5, 25, 50 kHz)
	Charge pump	Error out output: 2 pins
	Phase comparator	Unlock detectable in software

- Notes**
1. When using the IEBus controller, the 4.5-MHz crystal resonator cannot be used. Use the 6.3-MHz crystal resonator.
  2. When the I<sup>2</sup>C bus mode is used (including when the mode is implemented in software without using the peripheral hardware), consult NEC when ordering a mask.

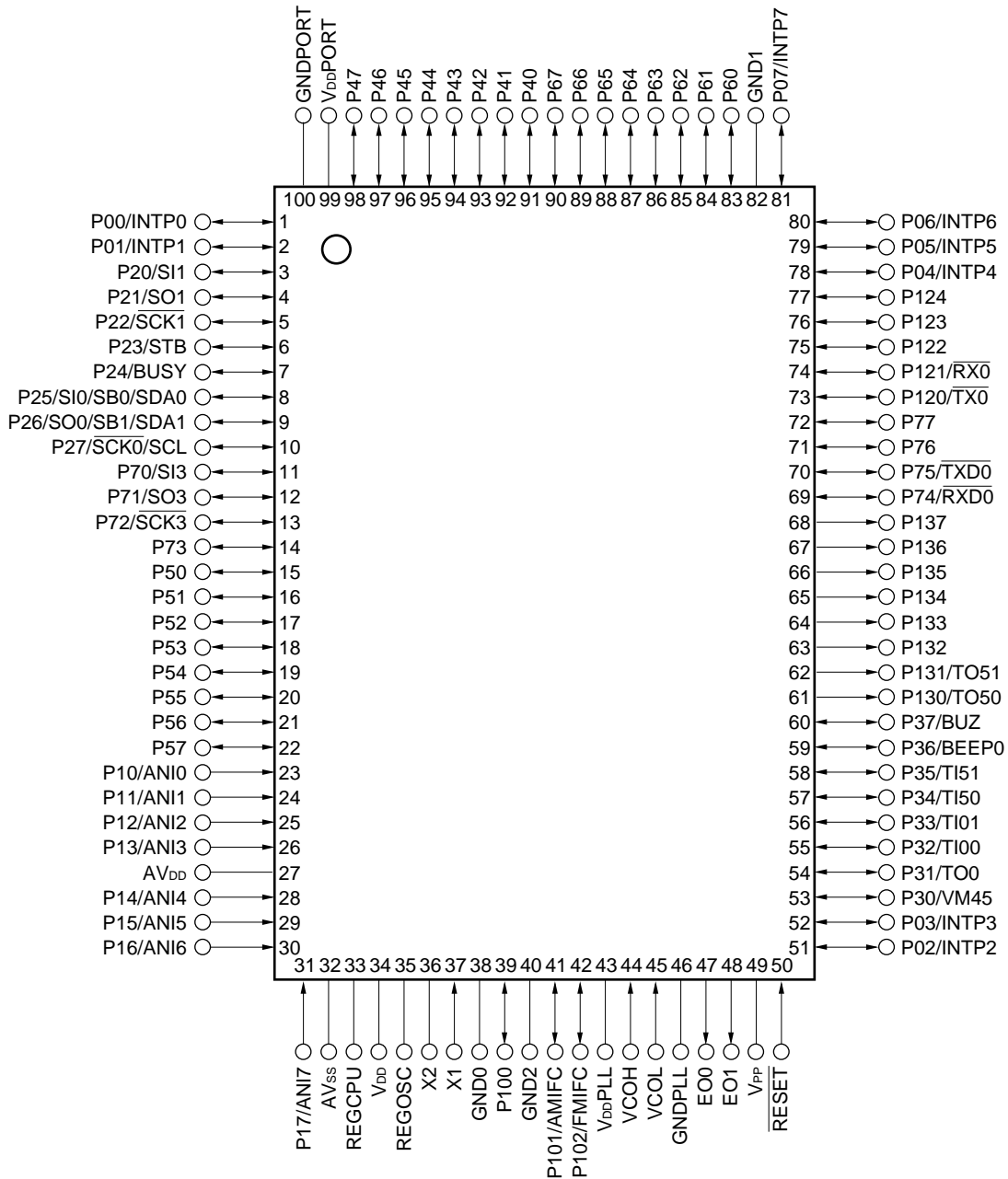
(2/2)

Item	Functions
Frequency counter	Frequency measurement <ul style="list-style-type: none"> <li>• AMIFC pin: For 450-kHz counting</li> <li>• FMIFC pin: For 450-kHz/10.7-MHz counting</li> </ul>
Standby function	<ul style="list-style-type: none"> <li>• HALT mode</li> <li>• STOP mode</li> </ul>
Reset	<ul style="list-style-type: none"> <li>• Reset by <math>\overline{\text{RESET}}</math> pin</li> <li>• Internal reset by watchdog timer</li> <li>• Reset by power-ON clear circuit</li> <li>• Detection of less than 4.5 V<sup>Note</sup> (Reset does not occur, however.)</li> <li>• Detection of less than 3.5 V<sup>Note</sup> (during CPU operation)</li> <li>• Detection of less than 2.3 V<sup>Note</sup> (in STOP mode)</li> </ul>
Supply voltage	<ul style="list-style-type: none"> <li>• V<sub>DD</sub> = 4.5 to 5.5 V (during CPU, PLL operation)</li> <li>• V<sub>DD</sub> = 3.5 to 5.5 V (during CPU operation)</li> </ul>
Package	100-pin plastic QFP (14 × 20)

**Note** These voltages are the maximum values. In practice, the chip may be reset at voltages lower than these.

**PIN CONFIGURATION (Top View)**

- 100-pin plastic QFP (14 × 20)
- μPD178F098GF-3BA

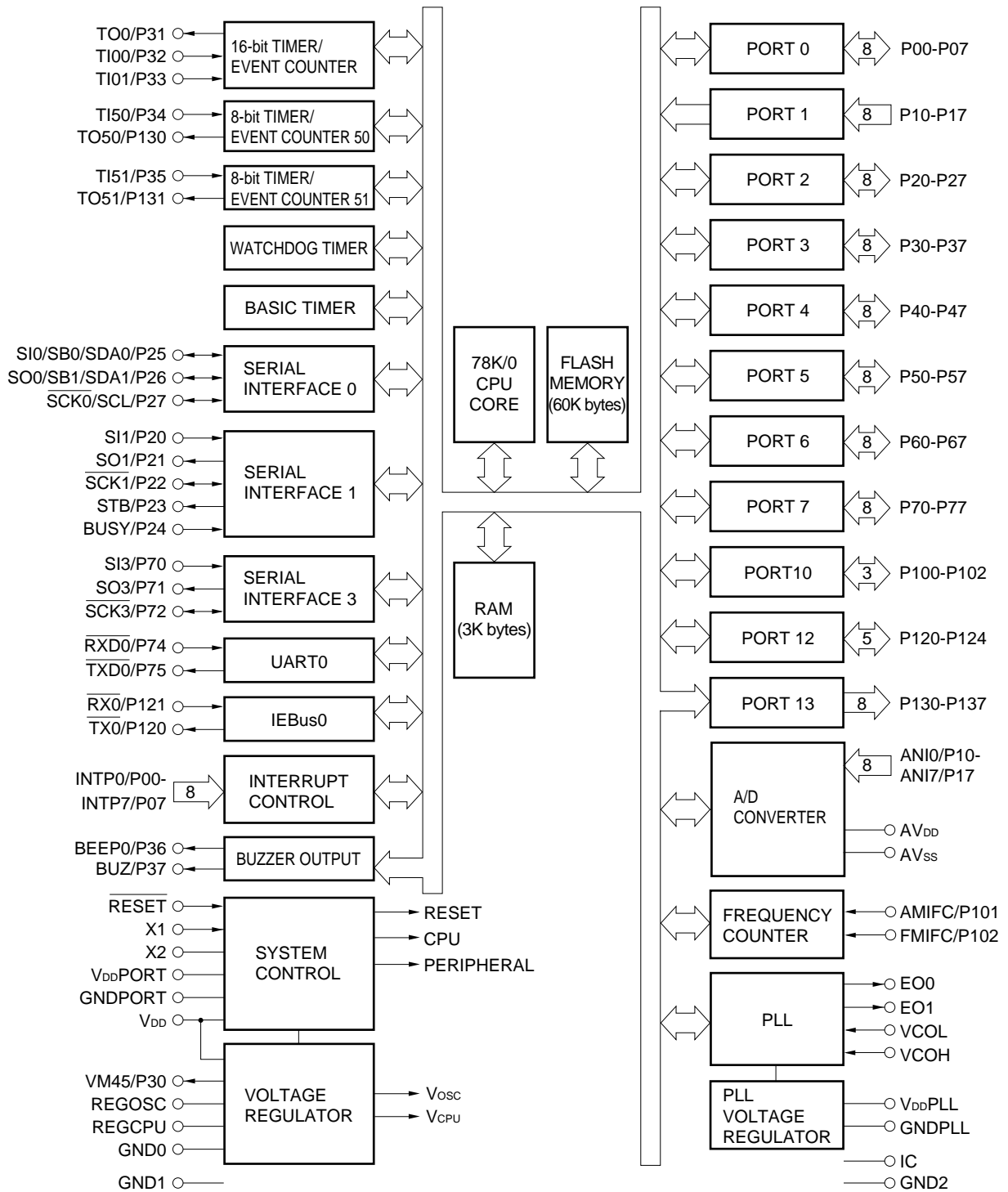


- Cautions**
1. Directly connect the V<sub>PP</sub> pin to GND0, GND1, or GND2 in normal operating mode.
  2. Keep the voltage at AV<sub>DD</sub>, V<sub>DD</sub>PORT, and V<sub>DD</sub>PLL same as that at the V<sub>DD</sub> pin.
  3. Keep the voltage at AV<sub>SS</sub>, GNDPORT, and GNDPLL same as that at GND0, GND1, or GND2.
  4. Connect each of the REGOSC and REGCPU pins to GND via a 0.1-μF capacitor.

**Pin Name**

AMIFC	: AM intermediate frequency counter input	REGOSC	: Regulator for oscillation circuit
ANI0-ANI7	: A/D converter input	$\overline{\text{RESET}}$	: Reset input
AV <sub>DD</sub>	: A/D converter power supply	$\overline{\text{RXD0}}$	: UART0 serial data input
AV <sub>SS</sub>	: A/D converter ground	$\overline{\text{RX0}}$	: IEBus serial data input
BUSY	: Busy output	SB0, SB1	: Serial data bus input/output
BEEP0, BUZ	: Buzzer output	$\overline{\text{SCK0}}, \overline{\text{SCK1}}, \overline{\text{SCK3}}$	: Serial clock input/output
EO0, EO1	: Error out output	SCL	: Serial clock input/output
FMIFC	: FM intermediate frequency counter input	SDA0, SDA1	: Serial data input/output
GNDPLL	: PLL ground	SI0, SI1, SI3	: Serial data input
GND0-GND2	: Ground	SO0, SO1, SO3	: Serial data output
INTP0-INTP7	: Interrupt input	STB	: Strobe output
P00-P07	: Port 0	TI00, TI01	: 16-bit timer capture trigger input
P10-P17	: Port 1	TI50, TI51	: 8-bit timer clock input
P20-P27	: Port 2	TO0	: 16-bit timer output
P30-P37	: Port 3	TO50, TO51	: 8-bit timer output
P40-P47	: Port 4	$\overline{\text{TXD0}}$	: UART0 serial data output
P50-P57	: Port 5	$\overline{\text{TX0}}$	: IEBus serial data output
P60-P67	: Port 6	VCOL, VCOH	: Local oscillation input
P70-P77	: Port 7	V <sub>DD</sub> PORT	: Port power supply
P100-P102	: Port 10	V <sub>DD</sub> PLL	: PLL power supply
P120-P124	: Port 12	V <sub>DD</sub>	: Power supply
P130-P137	: Port 13	VM45	: V <sub>DD</sub> = 4.5 V monitor output
REGCPU	: Regulator for CPU power supply	V <sub>PP</sub>	: Programming power supply
		X1, X2	: Crystal resonator

BLOCK DIAGRAM



**CONTENTS**

1. DIFFERENCES BETWEEN μPD178F098 AND MASK ROM MODELS ..... 9

2. PIN FUNCTION LIST ..... 10

    2.1 Port Pins ..... 10

    2.2 Pins Other Than Port Pins ..... 11

    2.3 I/O Circuits of Pins and Recommended Connections of Unused Pins ..... 13

3. MEMORY SIZE SELECT REGISTER (IMS)..... 17

4. INTERNAL EXTENSION RAM SIZE SELECT REGISTER (IXS) ..... 18

5. INTERRUPT FUNCTION ..... 19

6. FLASH MEMORY PROGRAMMING ..... 23

    6.1 Selecting Communication Mode ..... 23

    6.2 Flash Memory Programming Function ..... 24

    6.3 Connecting Flashpro III ..... 25

★ 7. ELECTRICAL SPECIFICATIONS ..... 26

8. PACKAGE DRAWING ..... 44

★ 9. RECOMMENDED SOLDERING CONDITIONS ..... 45

APPENDIX A. DEVELOPMENT TOOLS ..... 46

APPENDIX B. RELATED DOCUMENTS ..... 48



**1. DIFFERENCES BETWEEN μPD178F098 AND MASK ROM MODELS**

The μPD178F098 is provided with a flash memory to/from which data can be written/erased with the device mounted on a printed circuit board. The differences between the flash memory model (μPD178F098) and mask ROM models (μPD178076, 178078, 178096, and 178098) are shown in Table 1-1.

**Table 1-1. Differences between μPD178F098 and Mask ROM Models**

Item		μPD178F098	μPD178076, 178078	μPD178096, 178098
Internal memory	ROM structure	Flash memory	Mask ROM	
	ROM capacity	60K bytes	μPD178076: 48K bytes μPD178078: 60K bytes	μPD178096: 48K bytes μPD178098: 60K bytes
	External extension RAM	2048 bytes	μPD178076: 1024 bytes μPD178078: 2048 bytes	μPD178096: 1024 bytes μPD178098: 2048 bytes
Internal ROM capacity selected by memory size select register (IMS)		Equivalent to mask ROM model	μPD178076: CCH μPD178078: CFH	μPD178096: CCH μPD178098: CFH
Internal extension RAM capacity selected by internal extension RAM size select register (IXS)		Equivalent to mask ROM model	μPD178076: 0AH μPD178078: 08H	μPD178096: 0AH μPD178098: 08H
Serial interface		4 channels <ul style="list-style-type: none"> <li>• 3-wire/SBI/2-wire/I<sup>2</sup>C bus mode selectable</li> <li>• 3-wire (with automatic transmit/receive function)</li> <li>• 3-wire</li> <li>• UART</li> </ul>		3 channels <ul style="list-style-type: none"> <li>• 3-wire/SBI/2-wire/I<sup>2</sup>C bus mode selectable</li> <li>• 3-wire (with automatic transmit/receive function)</li> <li>• 3-wire</li> </ul>
IEBus controller		Provided	Not provided	Provided
Interrupt source		24	22	21
IC pin		Not provided	Provided	
V <sub>PP</sub> pin		Provided	Not provided	
Electrical specifications and recommended soldering conditions		See the relevant data sheet		

**Caution** The noise resistance and noise radiation differ between flash memory versions and mask ROM versions. When considering the replacement of flash memory versions with mask ROM versions in the process from trial manufacturing to mass production, adequate evaluation should be carried out using CS products (not ES products) of mask ROM versions.

2. PIN FUNCTION LIST

2.1 Port Pins (1/2)

Pin Name	I/O	Function	At Reset	Shared by:
P00-P07	I/O	Port 0. 8-bit I/O port. Can be set in input or output mode in 1-bit units.	Input	INTP0-INTP7
P10-P17	Input	Port 1. 8-bit input port.	Input	ANI0-ANI7
P20	I/O	Port 2. 8-bit I/O port. Can be set in input or output mode in 1-bit units.	Input	SI1
P21				SO1
P22				$\overline{\text{SCK1}}$
P23				STB
P24				BUSY
P25				SI0/SB0/SDA0
P26				SO0/SB1/SDA1
P27				$\overline{\text{SCK0/SCL}}$
P30	I/O	Port 3. 8-bit I/O port. Can be set in input or output mode in 1-bit units.	Input	VM45
P31				TO0
P32				TI00
P33				TI01
P34				TI50
P35				TI51
P36				BEEP0
P37				BUZ
P40-47	I/O	Port 4. 8-bit I/O port. Can be set in input or output mode in 1-bit units.	Input	–
P50-P57	I/O	Port 5. 8-bit I/O port. Can be set in input or output mode in 1-bit units.	Input	–
P60-P67	I/O	Port 6. 8-bit I/O port. Can be set in input or output mode in 1-bit units.	Input	–
P70	I/O	Port 7. 8-bit I/O port. Can be set in input or output mode in 1-bit units.	Input	SI3
P71				SO3
P72				$\overline{\text{SCK3}}$
P73				–
P74				$\overline{\text{RXD0}}$
P75				$\overline{\text{TXD0}}$
P76, P77				–

2.1 Port Pins (2/2)

Pin Name	I/O	Function	At Reset	Shared by:
P100	I/O	Port 10.	Input	–
P101		3-bit I/O port.		AMIFC
P102		Can be set in input or output mode in 1-bit units.		FMIFC
P120	I/O	Port 12.	Input	$\overline{\text{TX0}}$
P121		5-bit I/O port.		$\overline{\text{RX0}}$
P122-P124		Can be set in input or output mode in 1-bit units.		–
P130	Output	Port 13.	Low-level output	TO50
P131		8-bit output port.		TO51
P132-P137		N-ch open-drain output port (15 V withstand)		–

2.2 Pins Other Than Port Pins (1/2)

Pin Name	I/O	Function	At Reset	Shared by:
INTP0-INTP7	Input	External maskable interrupt input whose valid edge (rising edge, falling edge, or both rising and falling edges) can be specified.	Input	P00-P07
SI0	Input	Serial data input to serial interface.	Input	P25/SB0/SDA0
SI1				P20
SI3				P70
SO0	Output	Serial data output from serial interface.	Input	P26/SB1/SDA1
SO1				P21
SO3				P71
SB0	I/O	Serial data input/output to/from serial interface.	Input	P25/SI0/SDA0
SB1				P26/SO0/SDA1
SDA0				P25/SI0/SB0
SDA1				P26/SO0/SB1
$\overline{\text{SCK0}}$	I/O	Serial clock input/output to/from serial interface.	Input	P27/SCL
$\overline{\text{SCK1}}$				P22
$\overline{\text{SCK3}}$				P72
SCL				N-ch open drain I/O
STB	Output	Strobe output for serial interface automatic transmission/reception.	Input	P23
BUSY	Input	Busy input for serial interface automatic transmission/reception.	Input	P24
VW45	Output	$V_{\text{DD}} = 4.5 \text{ V}$ monitor output	Input	P30
TI00	Input	External count clock input to 16-bit timer (TM0).	Input	P32
TI01				P33
TI50	Input	External count clock input to 8-bit timer (TM50). External count clock input to 8-bit timer (TM51).	Input	P34
TI51				P35
TO0	Output	16-bit timer (TM0) output.	Input	P31
TO50		8-bit timer (TM50) output.	Low-level output	P130
TO51		8-bit timer (TM51) output.		P131
BEEP0	Output	Buzzer output.	Input	P36
BUZ				P37

## 2.2 Pins Other Than Port Pins (2/2)

Pin Name	I/O	Function	At Reset	Shared by:
ANI0-ANI7	Input	Analog input to A/D converter.	Input	P10-P17
EO0, EO1	Output	Error out output from charge pump of PLL frequency synthesizer.	–	–
VCOL	Input	Inputs local oscillation frequency of PLL (in HF and MF modes).	–	–
VCOH	Input	Inputs local oscillation frequency of PLL (in VHF mode).	–	–
AMIFC	Input	Input to AM intermediate frequency counter.	Input	P101
FMIFC	Input	Input to FM intermediate frequency or AM intermediate frequency counter.	Input	P102
$\overline{\text{RXD0}}$	Input	Serial data input to asynchronous serial interface (UART0).	Input	P74
$\overline{\text{TXD0}}$	Output	Serial data output from asynchronous serial interface (UART0).	Input	P75
$\overline{\text{TX0}}$	Output	IEBus controller data output.	Input	P120
$\overline{\text{RX0}}$	Input	IEBus controller data input.	Input	P121
$\overline{\text{RESET}}$	Input	System reset input.	–	–
X1	Input	Connection of crystal resonator for system clock oscillation.	–	–
X2	–		–	–
REGOSC	–	Regulator for oscillation circuit. Connect this pin to GND via 0.1- $\mu$ F capacitor.	–	–
REGCPU	–	Regulator for CPU power supply. Connect this pin to GND via 0.1- $\mu$ F capacitor.	–	–
V <sub>DD</sub>	–	Positive power supply.	–	–
GND0-GND2	–	Ground.	–	–
V <sub>DD</sub> PORT	–	Port power supply.	–	–
GNDPORT	–	Port ground.	–	–
AV <sub>DD</sub>	–	A/D converter positive power supply. Keep voltage at this pin same as that at V <sub>DD</sub> 0.	–	–
AV <sub>SS</sub>	–	A/D converter ground. Keep voltage at this pin same as that at GND0 through GND2.	–	–
V <sub>DD</sub> PLL <sup>Note</sup>	–	PLL positive power supply.	–	–
GNDPLL <sup>Note</sup>	–	PLL ground.	–	–
V <sub>PP</sub>	–	Pin to apply high voltage at program writing/verifying. Directly connect this pin to GND0, GND1, or GND2 in normal operating mode.	–	–

**Note** Connect a capacitor of about 1000 pF between the V<sub>DD</sub>PLL and GNDPLL pins.

**2.3 I/O Circuits of Pins and Recommended Connections of Unused Pins**

Table 2-1 shows the types of the I/O circuits of the respective pins and the recommended connections of the pins when they are not used.

For the configuration of the I/O circuit of each pin, refer to Figure 2-1.

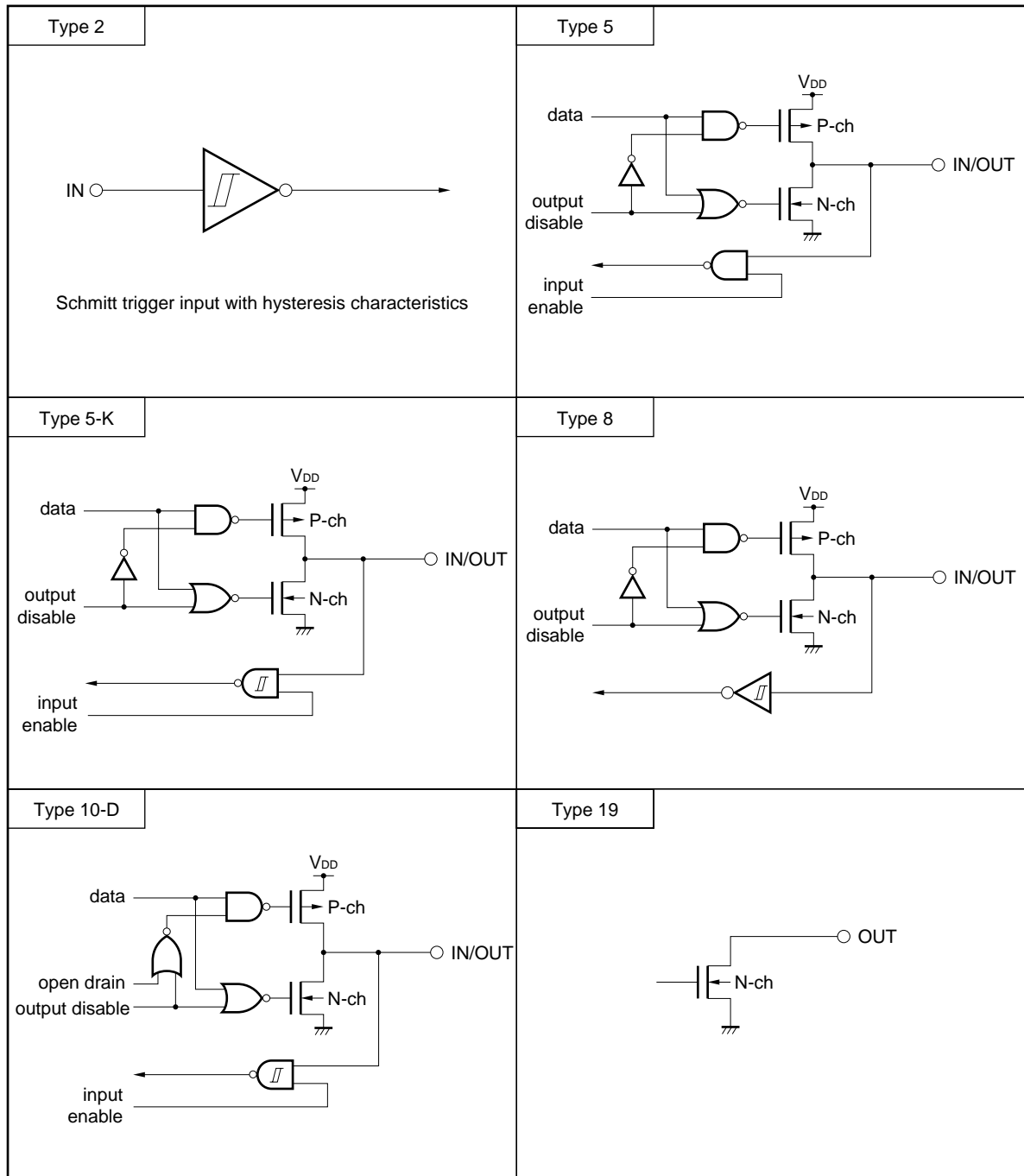
**Table 2-1. I/O Circuit Type of Each Pin (1/2)**

Pin Name	I/O Circuit Type	I/O	Recommended Connection of Unused Pin
P00/INTP0-P07/INTP7	8	I/O	Input: Connect each of them to V <sub>DD</sub> , V <sub>DD</sub> PORT, GND0 to GND2, or GNDPORT via resistor. Output: Leave open.
P10/ANI0-P17/ANI7	25	Input	Connect these pins to V <sub>DD</sub> , V <sub>DD</sub> PORT, GND0 to GND2 or GNDPORT.
P20/SI1	5-K	I/O	Input: Connect each of them to V <sub>DD</sub> , V <sub>DD</sub> PORT, GND0 to GND2, or GNDPORT via resistor. Output: Leave open.
P21/SO1	5		
P22/ $\overline{\text{SCK1}}$	5-K		
P23/STB	5		
P24/BUSY	5-K		
P25/SI0/SB0/SDA0 P26/SO0/SB1/SDA1 P27/ $\overline{\text{SCK0}}$ /SCL	10-D		
P30/VM45	5		
P31/TO0			
P32/TI00	5-K		
P33/TI01			
P34/TI50			
P35/TI51			
P36/BEEP0 P37/BUZ			
P40-P47			
P50-P57			
P60-P67			
P70/SI3	5-K		
P71/SO3	5		
P72/ $\overline{\text{SCK3}}$	5-K		
P73	5		
P74/ $\overline{\text{RXD0}}$	5-K		
P75/ $\overline{\text{TXD0}}$	5		
P76, P77			
P100			
P101/AMIFC			
P102/FMIFC			
P120/ $\overline{\text{TX0}}$			
P121/ $\overline{\text{RX0}}$		5-K	
P122-P124	5		

Table 2-1. I/O Circuit Type of Each Pin (2/2)

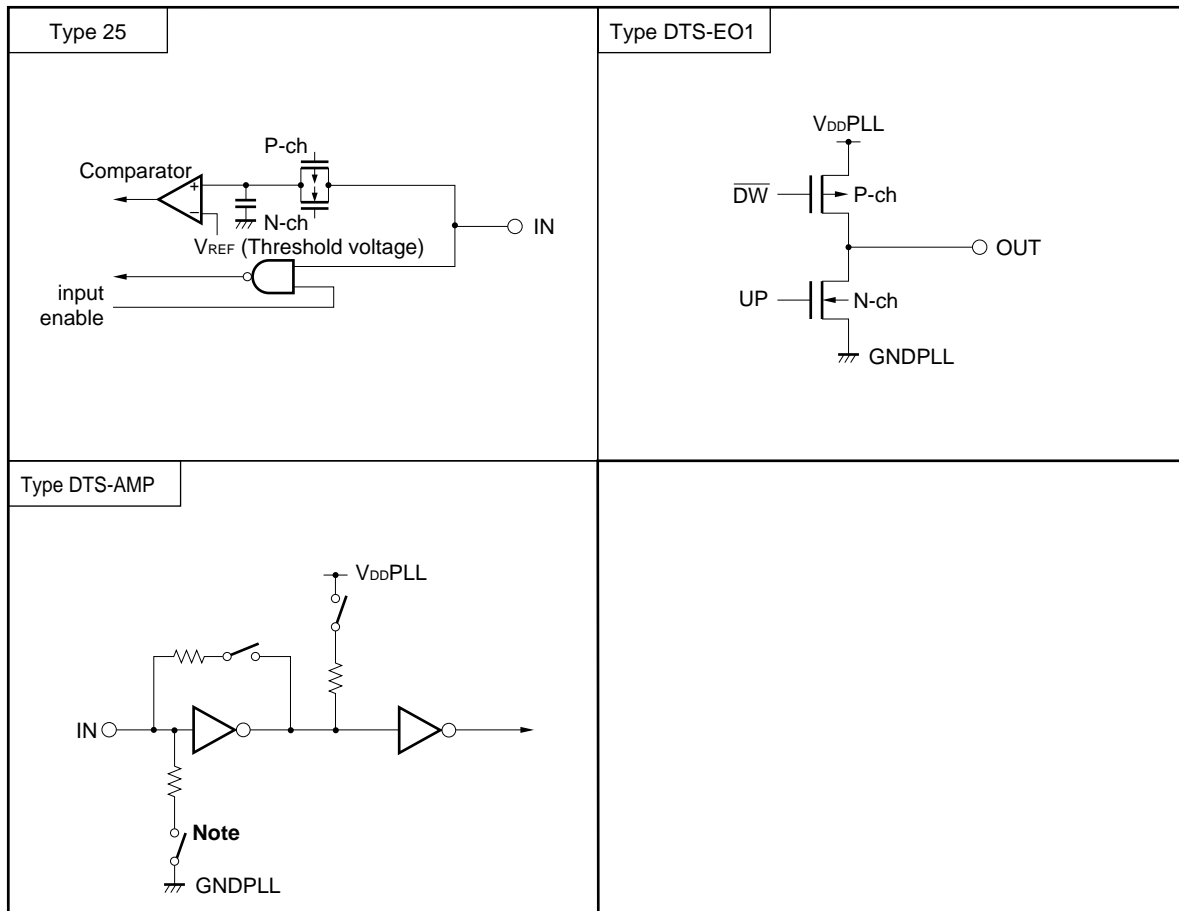
Pin Name	I/O Circuit Type	I/O	Recommended Connection of Unused Pin
P130/TO50	19	Output	Open these pins.
P131/TO51			
P132-P137			
EO0	DTS-EO1		
EO1			
VCOL, VCOH	DTS-AMP2	Input	Disable PLL in software and select pull-down.
REGOSC, REGCPU	–	–	Connect these pins to GND0, GND1, or GND2 via 0.1-μF capacitor.
RESET	2	Input	–
AV <sub>DD</sub>	–	–	Connect this pin to V <sub>DD</sub> or V <sub>DD</sub> PORT.
AV <sub>SS</sub>			Directly connect these pins to GND0 to GND2, or GNDPORT.
V <sub>PP</sub>			

Figure 2-1. I/O Circuits of Respective Pins (1/2)



**Remark**  $V_{DD}$  and GND are the positive power supply and ground pins for all port pins. Take  $V_{DD}$  and GND as  $V_{DDPORT}$  and  $GNDPORT$ .

Figure 2-1. I/O Circuits of Respective Pins (2/2)



**Note** This switch is selectable in software only for the VCOL and VCOH pins.

**Remark**  $V_{DD}$  and GND are the positive power supply and ground pins for all port pins. Take  $V_{DD}$  and GND as  $V_{DDPORT}$  and  $GNDPORT$ .



### 3. MEMORY SIZE SELECT REGISTER (IMS)

The internal memory capacity of the μPD178F098 can be changed using the memory size select register (IMS). By using this register, the memory of the μPD178F098 can be mapped in the same manner as a mask ROM model with a different internal memory capacity.

Use an 8-bit memory manipulation instruction to set the IMS.

This register is set to CFH at reset.

**Figure 3-1. Format of Memory Size Select Register (IMS)**

Symbol	7	6	5	4	3	2	1	0	Address	At reset	R/W
IMS	RAM2	RAM1	RAM0	0	ROM3	ROM2	ROM1	ROM0	FFF0H	CFH	R/W

RAM2	RAM1	RAM0	Selects internal high-speed RAM capacity			
1	1	0	1024 bytes			
Others			Setting prohibited			

RAM3	RAM2	RAM1	RAM0	Selects internal ROM capacity			
1	1	0	0	48K bytes			
1	1	1	1	60K bytes			
Others				Setting prohibited			

Table 3-1 shows the setting of IMS to perform the same memory mapping as that of a mask ROM model.

**Table 3-1. Setting of Memory Size Select Register**

Targeted Model	Setting of IMS
μPD178076, 178096	CCH
μPD178078, 178098	CFH

#### 4. INTERNAL EXTENSION RAM SIZE SELECT REGISTER (IXS)

The internal extension RAM capacity of the μPD178F098 can be changed using the internal extension RAM size select register (IXS). By using this register, the memory of the μPD178F098 can be mapped in the same manner as a mask ROM model with a different internal extension RAM capacity.

Use an 8-bit memory manipulation instruction to set the IXS.

This register is set to 0CH at reset.

**Figure 4-1. Format of Internal Extension RAM Size Select Register (IXS)**

Symbol	7	6	5	4	3	2	1	0	Address	At reset	R/W
IXS	0	0	0	IXRAM4	IXRAM3	IXRAM2	IXRAM1	IXRAM0	FFF4H	0CH	R/W

IXRAM4	IXRAM3	IXRAM2	IXRAM1	IXRAM0	Selects internal extension RAM capacity
0	1	0	0	0	2048 bytes
0	1	0	1	0	1024 bytes
Others					Setting prohibited

Table 4-1 shows the setting of IXS to perform the same memory mapping as that of a mask ROM model.

**Table 4-1. Setting of Internal RAM Size Select Register**

Targeted Model	Setting of IXS
μPD178076, 178096	0AH
μPD178078, 178098	08H

5. INTERRUPT FUNCTION

The μPD178F098 has the following three types and 24 sources of interrupts:

- Non-maskable : 1<sup>Note</sup>
- Maskable : 23<sup>Note</sup>
- Software : 1

**Note** Two types of watchdog interrupt sources (INTWDT), non-maskable and maskable, are available, and either of them can be selected.

Table 5-1. Interrupt Sources (1/2)

Interrupt Type	Default Priority <sup>Note 1</sup>	Interrupt Source		Internal/External	Vector Table Address	Basic Configuration Type <sup>Note 2</sup>
		Name	Trigger			
Non-maskable	–	INTWDT	Overflow of watchdog timer (when watchdog timer mode 1 is selected)	Internal	0004H	(A)
Maskable	0	INTWDT	Overflow of watchdog timer (when interval timer mode is selected)			
	1	INTP0	Pin input edge detection	External	0006H	(C)
	2	INTP1			0008H	
	3	INTP2			000AH	
	4	INTP3			000CH	
	5	INTP4			000EH	
	6	INTP5			0010H	
	7	INTP6			0012H	
	8	INTP7			0014H	
	9	INTCSI0			End of transfer by serial interface 0	
	10	INTCSI1	End of transfer by serial interface 1	0018H		
	11	INTCSI3	End of transfer by serial interface 3	001AH		
	12	INTTM50	Generation of coincidence signal of 8-bit timer/event counter 50	001CH		
	13	INTTM51	Generation of coincidence signal of 8-bit timer/event counter 51	001EH		
	14	INTSER0	Reception error of serial interface UART0	0020H		
	15	INTSR0	End of reception by serial interface UART0	0022H		
	16	INTST0	End of transmission by serial interface UART0	0024H		
	17	INTBTM0	Generation of coincidence signal of basic timer	0026H		

- Notes**
1. If two or more maskable interrupts occur at the same time, they are acknowledged or kept pending according to their default priorities. The default priority 0 is the highest, while 22 is the lowest.
  2. (A) to (E) under the heading Basic Configuration Type corresponds to (A) to (E) in Figure 5-1.

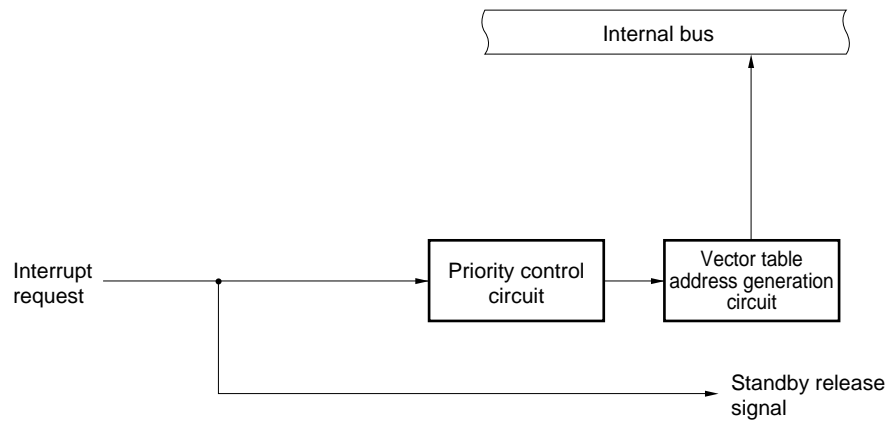
Table 5-1. Interrupt Sources (2/2)

Interrupt Type	Default Priority <sup>Note 1</sup>	Interrupt Source		Internal/External	Vector Table Address	Basic Configuration Type <sup>Note 2</sup>
		Name	Trigger			
Maskable	18	INTTM00	Generation of signal indicating coincidence between 16-bit timer counter (TM0) and capture/compare register (CR00) (when CR00 is used as compare register)	Internal	0028H	(B)
			Detection of input edge of TI00/P32 pin (when CR00 is used as capture register)	External		(D)
	19	INTTM01	Generation of signal indicating coincidence between 16-bit timer counter (TM0) and capture/compare register (CR01) (when CR01 is used as compare register)	Internal	002AH	(B)
			Detection of input edge of TI01/P33 pin (when CR01 is used as capture register)	External		(D)
	20	INTIE1	IEBus0 data access request	Internal	002CH	(B)
	21	INTIE2	IEBus0 communication error and start/end of communication		002EH	
	22	INTAD	End of conversion by A/D converter AD1		0030H	(B)
Software	–	BRK	Execution of BRK instruction	–	003EH	(E)

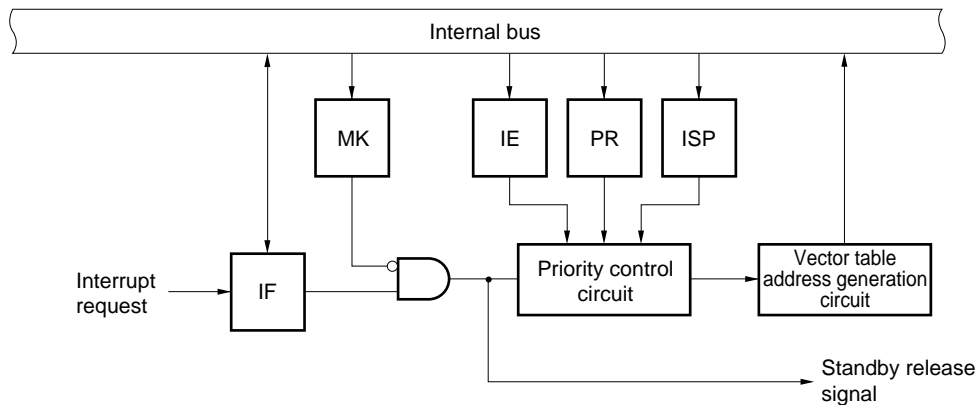
- Notes**
1. If two or more maskable interrupts occur at the same time, they are acknowledged or kept pending according to their default priorities. The default priority 0 is the highest, while 22 is the lowest.
  2. (A) to (E) under the heading Basic Configuration Type corresponds to (A) to (E) in Figure 5-1.

Figure 5-1. Basic Configuration of Interrupt Function (1/2)

(A) Internal non-maskable interrupt



(B) Internal maskable interrupt



(C) External maskable interrupt (INTP0 through INTP7)

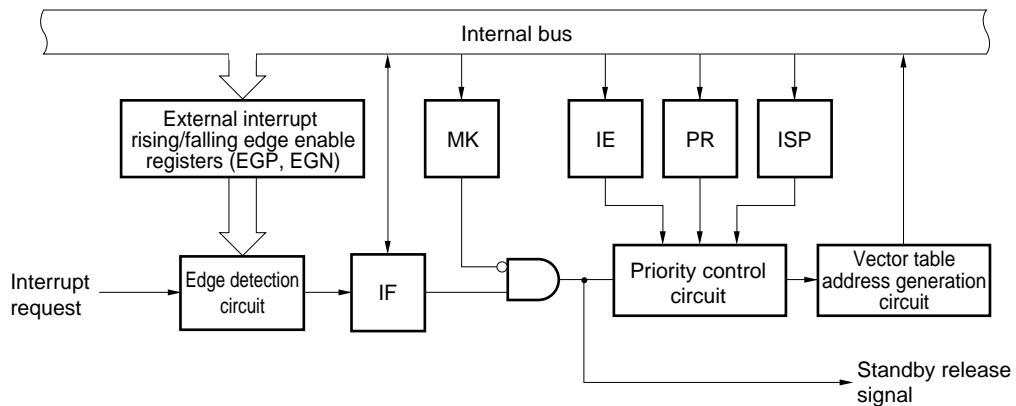
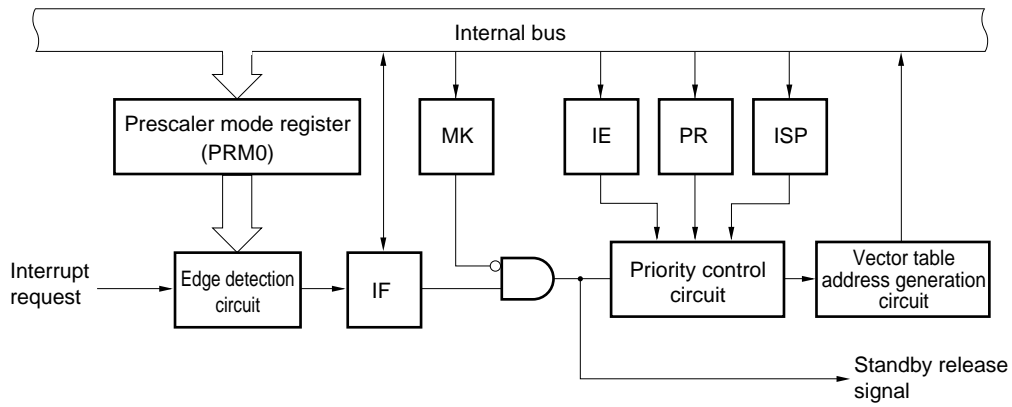
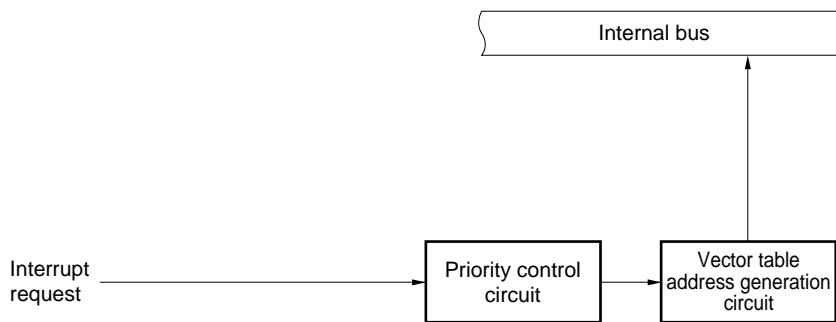


Figure 5-1. Basic Configuration of Interrupt Function (2/2)

(D) External maskable interrupts (INTTM00, INTTM01)



(E) Software interrupt



- Remark**
- IF : Interrupt request flag
  - IE : Interrupt enable flag
  - ISP : In-service priority flag
  - MK : Interrupt mask flag
  - PR : Priority specification flag

★ 6. FLASH MEMORY PROGRAMMING

The program memory provided in the μPD178F098 is flash memory.

The flash memory can be written on-board, i.e., with the μPD178F098 mounted on the target system.

To do so, connect a dedicated flash writer (Flashpro III (Part number FL-PR3, PG-FP3)) to the host machine and target system.

**Remark** FL-PR3 is a product of Naito Densai Machida Mfg. Co., Ltd.

6.1 Selecting Communication Mode

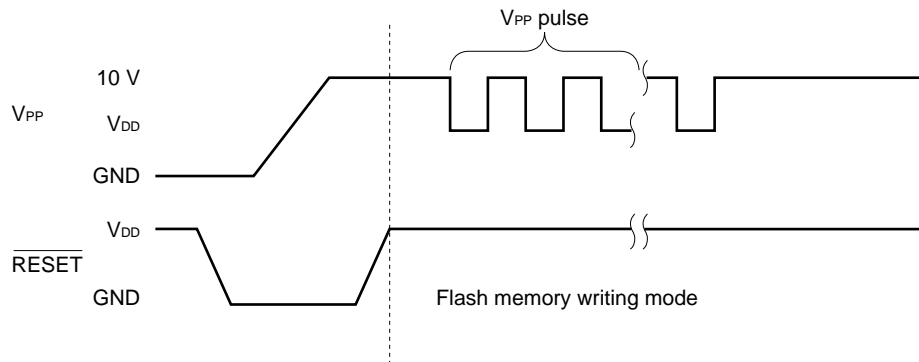
The flash memory is written by using Flashpro III and by means of serial communication. Select a communication mode from those listed in Table 6-1. To select a communication mode, the format shown in Figure 6-1 is used. Each communication mode is selected depending on the number of V<sub>PP</sub> pulses shown in Table 6-1.

Table 6-1. Communication Modes

Communication Mode	Number of Channels	Pins Used	Number of V <sub>PP</sub> Pulses
3-wire serial I/O (SIO3)	1	SI3/P70 SO3/P71 SCK3/P72	0
UART0	1	RXD0/P74 TXD0/P75	8

**Caution** Be sure to select a communication mode by the number of V<sub>PP</sub> pulses shown in Table 6-1.

Figure 6-1. Communication Mode Selection Format



## 6.2 Flash Memory Programming Function

An operation such as writing the flash memory is performed when a command or data is transmitted/received in the selected communication mode. The major flash memory programming functions are listed in Table 6-2.

**Table 6-2. Major Flash Memory Programming Functions**

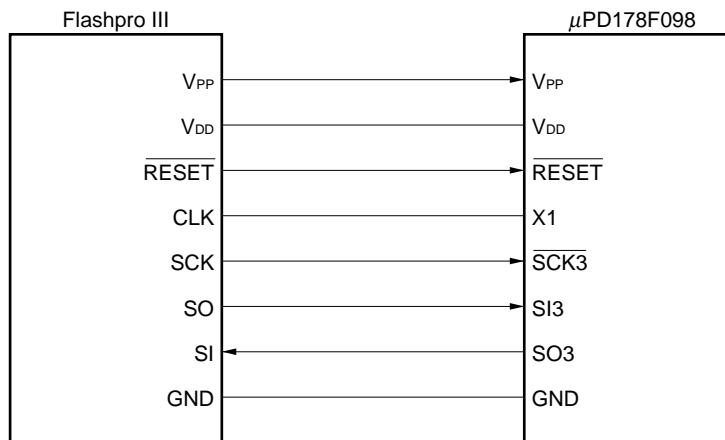
Function	Description
Batch erase	Erases all memory contents.
Batch blank check	Checks erased status of entire memory.
Data write	Writes data to flash memory starting from write start address and based on number of data (bytes) to be written.
Batch verify	Compares all contents of memory with input data.



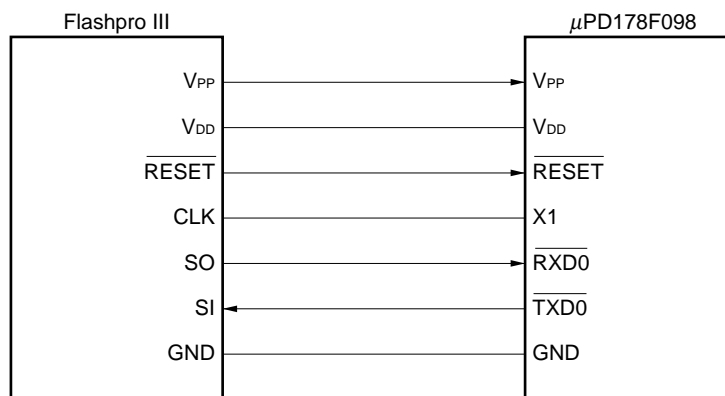
### 6.3 Connecting Flashpro III

Connection with Flashpro III differs depending on the communication mode (3-wire serial I/O or UART0). Figures 6-2 and 6-3 show the connection in the respective modes.

**Figure 6-2. Connection of Flashpro III in 3-Wire Serial I/O Mode**



**Figure 6-3. Connection of Flashpro III in UART0 Mode**



★ 7. ELECTRICAL SPECIFICATIONS

Absolute Maximum Ratings (T<sub>A</sub> = 25°C)

Parameter	Symbol	Conditions		Rating	Unit
Supply voltage	V <sub>DD</sub>			-0.3 to +6.0	V
	V <sub>DDPORT</sub>			-0.3 to V <sub>DD</sub> + 0.3 <sup>Note 1</sup>	V
	AV <sub>DD</sub>			-0.3 to V <sub>DD</sub> + 0.3 <sup>Note 1</sup>	V
	V <sub>DDPLL</sub>			-0.3 to V <sub>DD</sub> + 0.3 <sup>Note 1</sup>	V
	V <sub>PP</sub>			-0.3 to +10.5	V
Input voltage	V <sub>I</sub>			-0.3 to V <sub>DD</sub> + 0.3	V
Output voltage	V <sub>O</sub>	Excluding P130 to P137		-0.3 to V <sub>DD</sub> + 0.3	V
Output breakdown voltage	V <sub>BDS</sub>	P130-P137	N-ch open drain	16	V
Analog input voltage	V <sub>AN</sub>	P10-P17	Analog input pin	-0.3 to V <sub>DD</sub> + 0.3	V
High-level output current	I <sub>OH</sub>	1 pin		-8	mA
		Total of P00-P01, P20-P27, P50-P57, and P70-P73		-15	mA
		Total of P02-P07, P30-P37, P40-P47, P60-P67, P74-P77, and P120-P124		-15	mA
		Total of P100-P102		-10	mA
Low-level output current	I <sub>OL</sub> <sup>Note 2</sup>	1 pin	Peak value	16	mA
			r.m.s	8	mA
		Total of P00-P01, P20-P27, P50-P57, and P70-P73	Peak value	30	mA
			r.m.s	15	mA
		Total of P02-P07, P30-P37, P40-P47, P60-P67, P74-P77, P120-P124, and P130-P137	Peak value	30	mA
			r.m.s	15	mA
		Total of P100-102	Peak value	20	mA
			r.m.s	10	mA
Operating temperature	T <sub>A</sub>	During normal operation		-40 to +85	°C
		During flash memory programming		10 to 40	°C
Storage temperature	T <sub>stg</sub>			-55 to +125	°C

**Notes** 1. Keep the voltage at V<sub>DDPORT</sub>, AV<sub>DD</sub>, and V<sub>DDPLL</sub> same as that at the V<sub>DD</sub> pin.

2. Calculate the r.m.s as follows: [r.m.s] = [Peak value] × √Duty

**Caution** If the rated value of even one of the above parameters is exceeded even momentarily, the quality of the product may be degraded. The absolute maximum ratings, therefore, are the values exceeding which the product may be physically damaged. Be sure to use the product with these ratings never being exceeded.

**Remark** Unless otherwise specified, the characteristics of a multiplexed pin are the same as those of the corresponding port pin.

**Recommended Supply Voltage Ranges (T<sub>A</sub> = -40 to +85°C)**

Parameter	Symbol	Conditions	MIN.	TYP.	MAX.	Unit
Supply voltage	V <sub>DD1</sub>	When CPU and PLL are operating	4.5	5.0	5.5	V
	V <sub>DD2</sub>	When CPU is operating and PLL is stopped	3.5	5.0	5.5	V
Data retention voltage	V <sub>DDR</sub>	When crystal oscillation stops	2.3		5.5	V
Output breakdown voltage	V <sub>BDS</sub>	P130-P137 (N-ch open drain)			15	V

**DC Characteristics (T<sub>A</sub> = -40 to +85°C, V<sub>DD</sub> = 3.5 to 5.5 V)**

Parameter	Symbol	Test Conditions	MIN.	TYP.	MAX.	Unit
High-level input voltage	V <sub>IH1</sub>	P10-P17, P21, P23, P30, P31, P36, P37, P40-P47, P50-P57, P60-P67, P71, P73, P75-P77, P100-P102, P120, P122-P124	0.7 V <sub>DD</sub>		V <sub>DD</sub>	V
	V <sub>IH2</sub>	P00-P07, P20, P22, P24-P27, P32-P35, P70, P72, P74, P121, $\overline{\text{RESET}}$	0.8 V <sub>DD</sub>		V <sub>DD</sub>	V
Low-level input voltage	V <sub>IL1</sub>	P10-P17, P21, P23, P30, P31, P36, P37, P40-P47, P50-P57, P60-P67, P71, P73, P75-P77, P100-P102, P120, P122-P124	0		0.3 V <sub>DD</sub>	V
	V <sub>IL2</sub>	P00-P07, P20, P22, P24-P27, P32-P35, P70, P72, P74, P121, $\overline{\text{RESET}}$	0		0.2 V <sub>DD</sub>	V
High-level output voltage	V <sub>OH1</sub>	P00-P07, P20-P24, P30-P37, P40-P47, P50-P57, P60-P67, P70-P77, P100-P102, P120-P124	4.5 V ≤ V <sub>DD</sub> ≤ 5.5 V, I <sub>OH</sub> = -1 mA	V <sub>DD</sub> - 1.0		V
			3.5 V ≤ V <sub>DD</sub> < 4.5 V, I <sub>OH</sub> = -100 μA	V <sub>DD</sub> - 0.5		V
	V <sub>OH2</sub>	EO0, EO1	V <sub>DD</sub> = 4.5 to 5.5 V, I <sub>OH</sub> = -3 mA	V <sub>DD</sub> - 1.0		V
Low-level output voltage	V <sub>OL1</sub>	P00-P07, P20-P27, P30-P37, P40-P47, P50-P57, P60-P67, P70-P77, P100-P102, P120-P124, P130-P137,	4.5 V ≤ V <sub>DD</sub> ≤ 5.5 V, I <sub>OL</sub> = 1 mA		1.0	V
			3.5 V ≤ V <sub>DD</sub> < 4.5 V, I <sub>OL</sub> = 100 μA		0.5	V
	V <sub>OL2</sub>	EO0, EO1	V <sub>DD</sub> = 4.5 to 5.5 V, I <sub>OL</sub> = 3 mA		1.0	V
High-level input leakage current	I <sub>LIH</sub>	P00-P07, P10-P17, P20-P24, P30-P37, P40-P47, P50-P57, P60-P67, P70-P77, P100-P102, P120-P124, $\overline{\text{RESET}}$	V <sub>I</sub> = V <sub>DD</sub>		3	μA

**Remark** Unless otherwise specified, the characteristics of a multiplexed pin are the same as those of the corresponding port pin.

DC Characteristics (T<sub>A</sub> = -40 to +85°C, V<sub>DD</sub> = 3.5 to 5.5 V)

Parameter	Symbol	Conditions		MIN.	TYP.	MAX.	Unit
Low-level input leakage current	I <sub>LIL</sub>	P00-P07, P10-P17, P20-P27, P30-P37, P40-P47, P50-P57, P60-P67, P70-P77, P100-P102, P120-P124, $\overline{\text{RESET}}$	V <sub>I</sub> = 0 V			-3	μA
Output off leakage current	I <sub>LOH1</sub>	P130-P137	V <sub>O</sub> = 15 V			-3	μA
	I <sub>LOL1</sub>	P130-P137	V <sub>O</sub> = 0 V			3	μA
	I <sub>LOH2</sub>	P25-P27 (at N-ch open drain I/O)	V <sub>O</sub> = V <sub>DD</sub>			-3	μA
	I <sub>LOL2</sub>	P25-P27 (at N-ch open drain I/O)	V <sub>O</sub> = 0 V			3	μA
	I <sub>LOH3</sub>	EO0, EO1	V <sub>O</sub> = V <sub>DD</sub>			-3	μA
	I <sub>LOL3</sub>	EO0, EO1	V <sub>O</sub> = 0 V			3	μA
Supply current <sup>Note</sup>	I <sub>DD1</sub>	When CPU is operating and PLL is stopped. Sine wave input to X1 pin V <sub>I</sub> = V <sub>DD</sub>	f <sub>x</sub> = 4.5 MHz		5.0	18	mA
	I <sub>DD2</sub>		f <sub>x</sub> = 6.3 MHz		7.0	20	mA
	I <sub>DD3</sub>	In HALT mode with PLL stopped. Sine wave input to X1 pin V <sub>I</sub> = V <sub>DD</sub>	f <sub>x</sub> = 4.5 MHz		0.3	0.8	mA
	I <sub>DD4</sub>		f <sub>x</sub> = 6.3 MHz		0.4	1.0	mA
Data retention voltage	V <sub>DDR1</sub>	When crystal resonator is oscillating		3.5		5.5	V
	V <sub>DDR2</sub>	When crystal oscillation is stopped	Power-failure detection function	2.2			V
	V <sub>DDR3</sub>		Data memory retained	2.0			V
Data retention current	I <sub>DDR1</sub>	When crystal oscillation is stopped	T <sub>A</sub> = 25°C, V <sub>DD</sub> = 5 V		2.0	4.0	μA
	I <sub>DDR2</sub>				2.0	20	μA

**Note** Excluding AV<sub>DD</sub> current and V<sub>DD</sub>PLL current.

**Remarks 1.** f<sub>x</sub>: System clock oscillation frequency

**2.** Unless otherwise specified, the characteristics of a multiplexed pin are the same as those of the corresponding port pin.

**Reference Characteristics (T<sub>A</sub> = -40 to +85°C, V<sub>DD</sub> = 4.5 to 5.5 V)**

Parameter	Symbol	Conditions	MIN.	TYP.	MAX.	Unit
Supply current	I <sub>DD5</sub>	When CPU and PLL are operating. Sine wave input to VCOH pin At f <sub>IN</sub> = 160 MHz, V <sub>IN</sub> = 0.15 V <sub>P-P</sub>		8		mA

**AC Characteristics**

**(1) Basic operation (T<sub>A</sub> = -40 to +85°C, V<sub>DD</sub> = 3.5 to 5.5 V)**

Parameter	Symbol	Conditions	MIN.	TYP.	MAX.	Unit
Cycle time (minimum instruction execution time)	T <sub>CY</sub>	At f <sub>x</sub> = 6.3 MHz	0.32		5.08	μs
		At f <sub>x</sub> = 4.5 MHz <sup>Note 1</sup>	0.44		7.11	μs
TI00, TI01 input high-/low-level widths	t <sub>TIH0</sub> , t <sub>TiL0</sub>		4/f <sub>sam</sub> <sup>Note 2</sup>			s
TI50, TI51 input frequency	f <sub>TI5</sub>				2	MHz
TI50, TI51 input high-/low-level widths	t <sub>TIH5</sub> , t <sub>TiL5</sub>		200			ns
Interrupt input high-/low-level widths	t <sub>INTH</sub> , t <sub>INTL</sub>	INTP0-INTP7	1			μs
RESET pin low-level width	t <sub>RSL</sub>		10			μs

**Notes 1.** Only when products not using IEBus are supported.

**2.** f<sub>sam</sub> = f<sub>x</sub>/2, f<sub>x</sub>/4, f<sub>x</sub>/64 selectable by bits 0 and 1 (PRM00 and PRM01) of the prescaler mode register 0 (PRM0). However, f<sub>sam</sub> = f<sub>x</sub>/8 when the valid edge of TI00 is selected as the count clock.

(2) Serial interface (T<sub>A</sub> = -40 to +85°C, V<sub>DD</sub> = 3.5 to 5.5 V)

(a) Serial interface 0

(i) 3-wire serial I/O mode ( $\overline{\text{SCK0}}$  ... internal clock output)

Parameter	Symbol	Test Conditions	MIN.	TYP.	MAX.	Unit
$\overline{\text{SCK0}}$ cycle time	t <sub>KCY1</sub>	V <sub>DD</sub> = 4.5 to 5.5 V	800			ns
			1600			ns
$\overline{\text{SCK0}}$ high-/low-level width	t <sub>KH1</sub> ,	V <sub>DD</sub> = 4.5 to 5.5 V	t <sub>KCY1</sub> /2 - 50			ns
	t <sub>KL1</sub>		t <sub>KCY1</sub> /2 - 100			ns
SI0 setup time (to $\overline{\text{SCK0}}\uparrow$ )	t <sub>SIK1</sub>	V <sub>DD</sub> = 4.5 to 5.5 V	100			ns
			150			ns
SI0 hold time (from $\overline{\text{SCK0}}\uparrow$ )	t <sub>KSI1</sub>		400			ns
SO0 output delay time from $\overline{\text{SCK0}}\downarrow$	t <sub>KSO1</sub>	C = 100 pF <sup>Note</sup>			300	ns

**Note** C is the load capacitance of  $\overline{\text{SCK0}}$  and SO0 output line.

(ii) 3-wire serial I/O mode ( $\overline{\text{SCK0}}$  ... external clock input)

Parameter	Symbol	Test Conditions	MIN.	TYP.	MAX.	Unit
$\overline{\text{SCK0}}$ cycle time	t <sub>KCY2</sub>	V <sub>DD</sub> = 4.5 to 5.5 V	800			ns
			1600			ns
$\overline{\text{SCK0}}$ high-/low-level width	t <sub>KH2</sub> ,	V <sub>DD</sub> = 4.5 to 5.5 V	400			ns
	t <sub>KL2</sub>		800			ns
SI0 setup time (to $\overline{\text{SCK0}}\uparrow$ )	t <sub>SIK2</sub>		100			ns
SI0 hold time (from $\overline{\text{SCK0}}\uparrow$ )	t <sub>KSI2</sub>		400			ns
SO0 output delay time from $\overline{\text{SCK0}}\downarrow$	t <sub>KSO2</sub>	C = 100 pF <sup>Note</sup>			300	ns
$\overline{\text{SCK0}}$ at rising or falling edge time	t <sub>R2</sub> , t <sub>F2</sub>				1000	ns

**Note** C is the load capacitance of SO0 output line.

(iii) SBI mode ( $\overline{\text{SCK0}}$  ... internal clock output)

Parameter	Symbol	Test Conditions	MIN.	TYP.	MAX.	Unit
$\overline{\text{SCK0}}$ cycle time	$t_{\text{KCY3}}$	$V_{\text{DD}} = 4.5 \text{ to } 5.5 \text{ V}$	800			ns
			3200			ns
$\overline{\text{SCK0}}$ high-/low-level width	$t_{\text{KH3}},$ $t_{\text{KL3}}$	$V_{\text{DD}} = 4.5 \text{ to } 5.5 \text{ V}$	$t_{\text{KCY3}}/2 - 50$			ns
			$t_{\text{KCY3}}/2 - 150$			ns
SB0, SB1 setup time (to $\overline{\text{SCK0}}\uparrow$ )	$t_{\text{SIK3}}$	$V_{\text{DD}} = 4.5 \text{ to } 5.5 \text{ V}$	100			ns
			300			ns
SB0, SB1 hold time (from $\overline{\text{SCK0}}\uparrow$ )	$t_{\text{KSI3}}$		$t_{\text{KCY3}}/2$			ns
SB0, SB1 output delay time from $\overline{\text{SCK0}}\downarrow$	$t_{\text{KSO3}}$	R = 1 kΩ C = 100 pF <sup>Note</sup>	$V_{\text{DD}} = 4.5 \text{ to } 5.5 \text{ V}$	0	250	ns
				0	1000	ns
SB0, SB1↓ from $\overline{\text{SCK0}}\uparrow$	$t_{\text{KSB}}$		$t_{\text{KCY3}}$			ns
$\overline{\text{SCK0}}\downarrow$ from SB0, SB1↓	$t_{\text{SBK}}$		$t_{\text{KCY3}}$			ns
SB0, SB1 high-level width	$t_{\text{SBH}}$		$t_{\text{KCY3}}$			ns
SB0, SB1 low-level width	$t_{\text{SBL}}$		$t_{\text{KCY3}}$			ns

**Note** R and C are the load resistance and load capacitance of  $\overline{\text{SCK0}}$ , SB0 and SB1 output line.

(iv) SBI mode ( $\overline{\text{SCK0}}$  ... external clock input)

Parameter	Symbol	Test Conditions	MIN.	TYP.	MAX.	Unit
$\overline{\text{SCK0}}$ cycle time	$t_{\text{KCY4}}$	$V_{\text{DD}} = 4.5 \text{ to } 5.5 \text{ V}$	800			ns
			3200			ns
$\overline{\text{SCK0}}$ high-/low-level width	$t_{\text{KH4}},$ $t_{\text{KL4}}$	$V_{\text{DD}} = 4.5 \text{ to } 5.5 \text{ V}$	400			ns
			1600			ns
SB0, SB1 setup time (to $\overline{\text{SCK0}}\uparrow$ )	$t_{\text{SIK4}}$	$V_{\text{DD}} = 4.5 \text{ to } 5.5 \text{ V}$	100			ns
			300			ns
SB0, SB1 hold time (from $\overline{\text{SCK0}}\uparrow$ )	$t_{\text{KSI4}}$		$t_{\text{KCY4}}/2$			ns
SB0, SB1 output delay time from $\overline{\text{SCK0}}\downarrow$	$t_{\text{KSO4}}$	R = 1 kΩ C = 100 pF <sup>Note</sup>	$V_{\text{DD}} = 4.5 \text{ to } 5.5 \text{ V}$	0	250	ns
				0	1000	ns
SB0, SB1↓ from $\overline{\text{SCK0}}\uparrow$	$t_{\text{KSB}}$		$t_{\text{KCY4}}$			ns
$\overline{\text{SCK0}}\downarrow$ from SB0, SB1↓	$t_{\text{SBK}}$		$t_{\text{KCY4}}$			ns
SB0, SB1 high-level width	$t_{\text{SBH}}$		$t_{\text{KCY4}}$			ns
SB0, SB1 low-level width	$t_{\text{SBL}}$		$t_{\text{KCY4}}$			ns
$\overline{\text{SCK0}}$ at rising or falling edge time	$t_{\text{R4}}, t_{\text{F4}}$				1000	ns

**Note** R and C are the load resistance and load capacitance of SB0 and SB1 output line.

(v) 2-wire serial I/O mode ( $\overline{\text{SCK0}}$  ... internal clock output)

Parameter	Symbol	Test Conditions		MIN.	TYP.	MAX.	Unit
$\overline{\text{SCK0}}$ cycle time	$t_{\text{KCY5}}$	R = 1 kΩ		1600			ns
$\overline{\text{SCK0}}$ high-level width	$t_{\text{KH5}}$	C = 100 pF <sup>Note</sup>		$t_{\text{KCY5}}/2 - 160$			ns
$\overline{\text{SCK0}}$ low-level width	$t_{\text{KL5}}$		V <sub>DD</sub> = 4.5 to 5.5 V	$t_{\text{KCY5}}/2 - 50$			ns
				$t_{\text{KCY5}}/2 - 100$			ns
SB0, SB1 setup time (to $\overline{\text{SCK0}}\uparrow$ )	$t_{\text{SIK5}}$		V <sub>DD</sub> = 4.5 to 5.5 V	300			ns
				350			ns
SB0, SB1 hold time (from $\overline{\text{SCK0}}\uparrow$ )	$t_{\text{KSI5}}$			600			ns
SB0, SB1 output delay time from $\overline{\text{SCK0}}\downarrow$	$t_{\text{KSO5}}$			0		300	ns

**Note** R and C are the load resistance and load capacitance of  $\overline{\text{SCK0}}$ , SB0 and SB1 output line.

(vi) 2-wire serial I/O mode ( $\overline{\text{SCK0}}$  ... external clock input)

Parameter	Symbol	Test Conditions		MIN.	TYP.	MAX.	Unit
$\overline{\text{SCK0}}$ cycle time	$t_{\text{KCY6}}$			1600			ns
$\overline{\text{SCK0}}$ high-level width	$t_{\text{KH6}}$			650			ns
$\overline{\text{SCK0}}$ low-level width	$t_{\text{KL6}}$			800			ns
SB0, SB1 setup time (to $\overline{\text{SCK0}}\uparrow$ )	$t_{\text{SIK6}}$			100			ns
SB0, SB1 hold time (from $\overline{\text{SCK0}}\uparrow$ )	$t_{\text{KSI6}}$			$t_{\text{KCY6}}/2$			ns
SB0, SB1 output delay time from $\overline{\text{SCK0}}\downarrow$	$t_{\text{KSO6}}$	R = 1 kΩ	V <sub>DD</sub> = 4.5 to 5.5 V	0		300	ns
		C = 100 pF <sup>Note</sup>		0		500	ns
$\overline{\text{SCK0}}$ at rising or falling edge time	$t_{\text{R6}}, t_{\text{F6}}$					1000	ns

**Note** R and C are the load resistance and load capacitance of SB0 and SB1 output line.



(vii) I<sup>2</sup>C Bus mode (SCL ... internal clock output)

Parameter	Symbol	Test Conditions	MIN.	TYP.	MAX.	Unit	
SCL cycle time	t <sub>KCY7</sub>	R = 1 kΩ C = 100 pF <sup>Note</sup>	10			μs	
SCL high-level width	t <sub>KH7</sub>		t <sub>KCY7</sub> – 160			ns	
SCL low-level width	t <sub>KL7</sub>		t <sub>KCY7</sub> – 50			ns	
SDA0, SDA1 setup time (to SCL↑)	t <sub>SIK7</sub>		200			ns	
SDA0, SDA1 hold time (from SCL↓)	t <sub>KSI7</sub>		0			ns	
SDA0, SDA1 output delay time (from SCL↓)	t <sub>KSO7</sub>		V <sub>DD</sub> = 4.5 to 5.5 V	0		300	ns
				0		500	ns
SDA0, SDA1↓ from SCL↑ or SDA0, SDA1↑ from SCL↑	t <sub>KSB</sub>		200			ns	
SCL↓ from SDA0, SDA1↓	t <sub>SBK</sub>		400			ns	
SDA0, SDA1 high-level width	t <sub>SBH</sub>		500			ns	

**Note** R and C are the load resistance and load capacitance of SCL, SDA0 and SDA1 output line.

(viii) I<sup>2</sup>C Bus mode (SCL ... external clock input)

Parameter	Symbol	Test Conditions	MIN.	TYP.	MAX.	Unit	
SCL cycle time	t <sub>KCY8</sub>		1000			ns	
SCL high-/low-level width	t <sub>KH8</sub> , t <sub>KL8</sub>		400			ns	
SDA0, SDA1 setup time (to SCL↑)	t <sub>SIK8</sub>		200			ns	
SDA0, SDA1 hold time (from SCL↓)	t <sub>KSI8</sub>		0			ns	
SDA0, SDA1 output delay time from SCL↓	t <sub>KSO8</sub>	R = 1 kΩ	V <sub>DD</sub> = 4.5 to 5.5 V	0		300	ns
		C = 100 pF <sup>Note</sup>		0		500	ns
SDA0, SDA1↓ from SCL↑ or SDA0, SDA1↑ from SCL↑	t <sub>KSB</sub>		200			ns	
SCL↓ from SDA0, SDA1↓	t <sub>SBK</sub>		400			ns	
SDA0, SDA1 high-level width	t <sub>SBH</sub>		500			ns	
SCL at rising or falling edge time	t <sub>R8</sub> , t <sub>F8</sub>				1000	ns	

**Note** R and C are the load resistance and load capacitance of SDA0 and SDA1 output line.

(b) Serial interface 1

(i) 3-wire serial I/O mode ( $\overline{\text{SCK1}}$  ... internal clock output)

Parameter	Symbol	Test Conditions	MIN.	TYP.	MAX.	Unit
$\overline{\text{SCK1}}$ cycle time	$t_{\text{KCY9}}$		800			ns
$\overline{\text{SCK1}}$ high/low-level width	$t_{\text{KH9}},$ $t_{\text{KL9}}$		$t_{\text{KCY9}}/2 - 50$			ns
SI1 setup time (to $\overline{\text{SCK1}}\uparrow$ )	$t_{\text{SIK9}}$		100			ns
SI1 hold time (from $\overline{\text{SCK1}}\uparrow$ )	$t_{\text{KSI9}}$		400			ns
SO1 output delay time (from $\overline{\text{SCK1}}\downarrow$ )	$t_{\text{KSO9}}$	C = 100 pF <sup>Note</sup>			300	ns

**Note** C is the load capacitance of  $\overline{\text{SCK1}}$  and SO1 output line.

(ii) 3-wire serial I/O mode ( $\overline{\text{SCK1}}$  ... external clock input)

Parameter	Symbol	Test Conditions	MIN.	TYP.	MAX.	Unit
$\overline{\text{SCK1}}$ cycle time	$t_{\text{KCY10}}$		800			ns
$\overline{\text{SCK1}}$ high/low-level width	$t_{\text{KH10}},$ $t_{\text{KL10}}$		400			ns
SI1 setup time (to $\overline{\text{SCK1}}\uparrow$ )	$t_{\text{SIK10}}$		100			ns
SI1 hold time (from $\overline{\text{SCK1}}\uparrow$ )	$t_{\text{KSI10}}$		400			ns
SO1 output delay time (from $\overline{\text{SCK1}}\downarrow$ )	$t_{\text{KSO10}}$	C = 100 pF <sup>Note</sup>			300	ns
$\overline{\text{SCK1}}$ at rising or falling edge time	$t_{\text{R10}}, t_{\text{F10}}$				1000	ns

**Note** C is the load capacitance of SO1 output line.

(iii) 3-wire serial I/O mode with automatic transmit/receive function ( $\overline{\text{SCK1}}$  ... internal clock output)

Parameter	Symbol	Test Conditions	MIN.	TYP.	MAX.	Unit
$\overline{\text{SCK1}}$ cycle time	$t_{\text{KCY11}}$		800			ns
$\overline{\text{SCK1}}$ high/low-level width	$t_{\text{KH11}},$ $t_{\text{KL11}}$		$t_{\text{KCY11}}/2 - 50$			ns
SI1 setup time (to $\overline{\text{SCK1}}\uparrow$ )	$t_{\text{SIK11}}$		100			ns
SI1 hold time (from $\overline{\text{SCK1}}\uparrow$ )	$t_{\text{KSI11}}$		400			ns
SO1 output delay time (from $\overline{\text{SCK1}}\downarrow$ )	$t_{\text{KSO11}}$	C = 100 pF <sup>Note</sup>			300	ns
STB $\uparrow$ from $\overline{\text{SCK1}}\uparrow$	$t_{\text{SBD}}$		$t_{\text{KCY11}}/2 - 100$		$t_{\text{KCY11}}/2 + 100$	ns
Strobe signal high-level width	$t_{\text{SBW}}$		$t_{\text{KCY11}}/2 - 30$		$t_{\text{KCY11}}/2 + 30$	ns
Busy signal setup time (to busy signal detection timing)	$t_{\text{BYS}}$		100			ns
Busy signal hold time (from busy signal detection timing)	$t_{\text{BYH}}$		100			ns
$\overline{\text{SCK1}}\downarrow$ from busy inactive	$t_{\text{SPS}}$		200			ns

**Note** C is the load capacitance of SO1 output line.

(iv) 3-wire serial I/O mode with automatic transmit/receive function ( $\overline{\text{SCK1}}$  ... external clock input)

Parameter	Symbol	Test Conditions	MIN.	TYP.	MAX.	Unit
$\overline{\text{SCK1}}$ cycle time	$t_{\text{KCY12}}$		800			ns
$\overline{\text{SCK1}}$ high/low-level width	$t_{\text{KH12}},$ $t_{\text{KL12}}$		400			ns
SI1 setup time (to $\overline{\text{SCK1}}\uparrow$ )	$t_{\text{SIK12}}$		100			ns
SI1 hold time (from $\overline{\text{SCK1}}\uparrow$ )	$t_{\text{KSI12}}$		400			ns
SO1 output delay time (from $\overline{\text{SCK1}}\downarrow$ )	$t_{\text{KSO12}}$	C = 100 pF <sup>Note</sup>			300	ns
$\overline{\text{SCK1}}$ at rising or falling edge time	$t_{\text{R12}}, t_{\text{F12}}$				1000	ns

**Note** C is the load capacitance of SO1 output line.

(c) Serial interface 3

(i) 3-wire serial I/O mode ( $\overline{\text{SCK3}}$  ... internal clock output)

Parameter	Symbol	Test Conditions	MIN.	TYP.	MAX.	Unit
$\overline{\text{SCK3}}$ cycle time	$t_{\text{CY13}}$		800			ns
$\overline{\text{SCK3}}$ high/low-level width	$t_{\text{KH13}},$ $t_{\text{KL13}}$		$t_{\text{CY13}}/2 - 50$			ns
SI3 setup time (to $\overline{\text{SCK3}}\uparrow$ )	$t_{\text{SIK13}}$		100			ns
SI3 hold time (from $\overline{\text{SCK3}}\uparrow$ )	$t_{\text{SH13}}$		400			ns
SO3 output delay time (from $\overline{\text{SCK3}}\downarrow$ )	$t_{\text{KSO13}}$	C = 100 pF <sup>Note</sup>			300	ns

**Note** C is the load capacitance of  $\overline{\text{SCK3}}$  and SO3 output line.

(ii) 3-wire serial I/O mode ( $\overline{\text{SCK3}}$  ... external clock input)

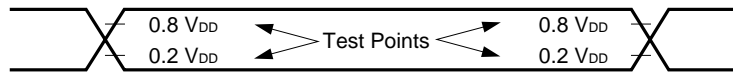
Parameter	Symbol	Test Conditions	MIN.	TYP.	MAX.	Unit
$\overline{\text{SCK3}}$ cycle time	$t_{\text{CY14}}$		800			ns
$\overline{\text{SCK3}}$ high/low-level width	$t_{\text{KH14}},$ $t_{\text{KL14}}$		400			ns
SI3 setup time (to $\overline{\text{SCK3}}\uparrow$ )	$t_{\text{SIK14}}$		100			ns
SI3 hold time (from $\overline{\text{SCK3}}\uparrow$ )	$t_{\text{SH14}}$		400			ns
SO3 output delay time (from $\overline{\text{SCK3}}\downarrow$ )	$t_{\text{KSO14}}$	C = 100 pF <sup>Note</sup>			300	ns
$\overline{\text{SCK3}}$ at rising or falling edge time	$t_{\text{R14}}, t_{\text{F14}}$				1000	ns

**Note** C is the load capacitance of SO3 output line.

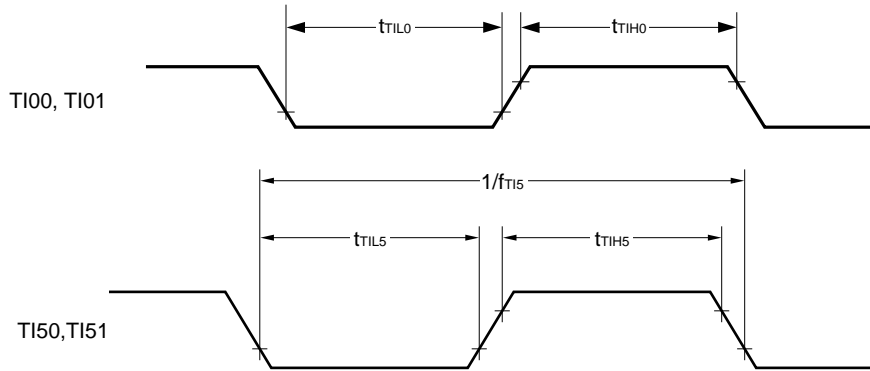
(d) Serial interface UART0 (Dedicated baud rate generator output)

Parameter	Symbol	Test Conditions	MIN.	TYP.	MAX.	Unit
Transfer rate					38400	bps

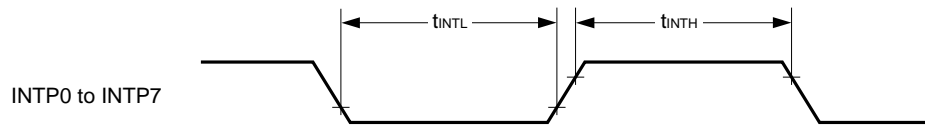
AC Timing Test Point (Excluding X1 Input)



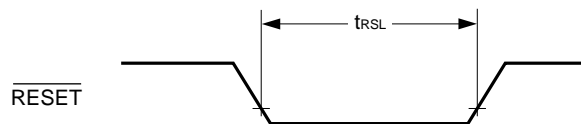
TI Timing



Interrupt Input Timing

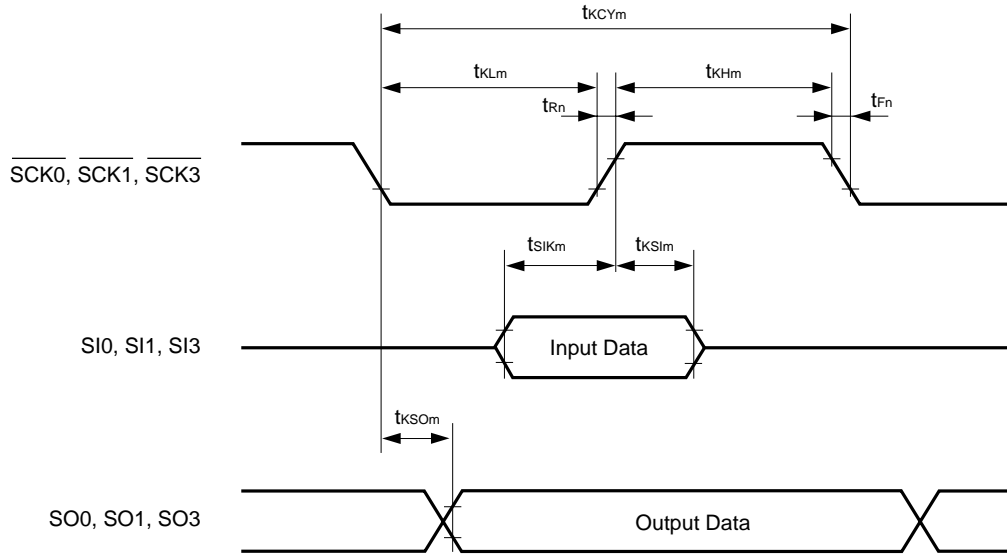


RESET Input Timing



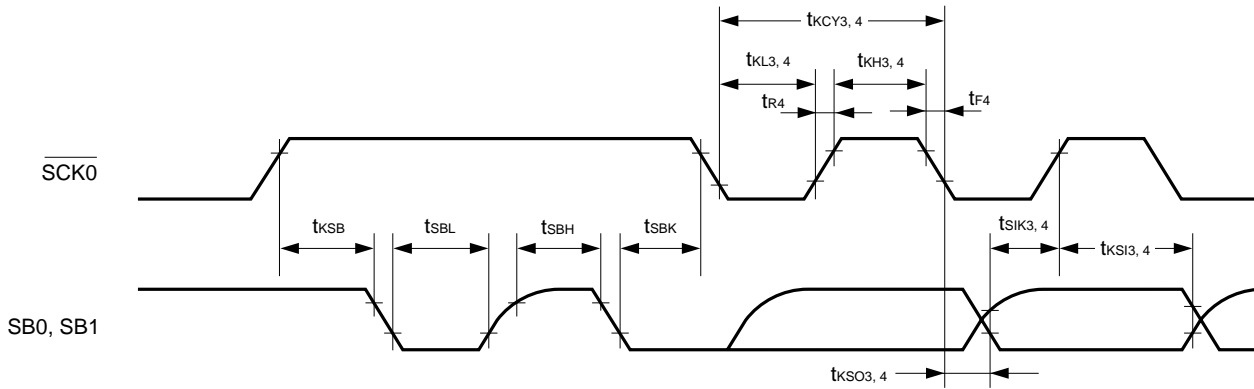
Serial Transfer Timing

3-wire serial I/O mode:

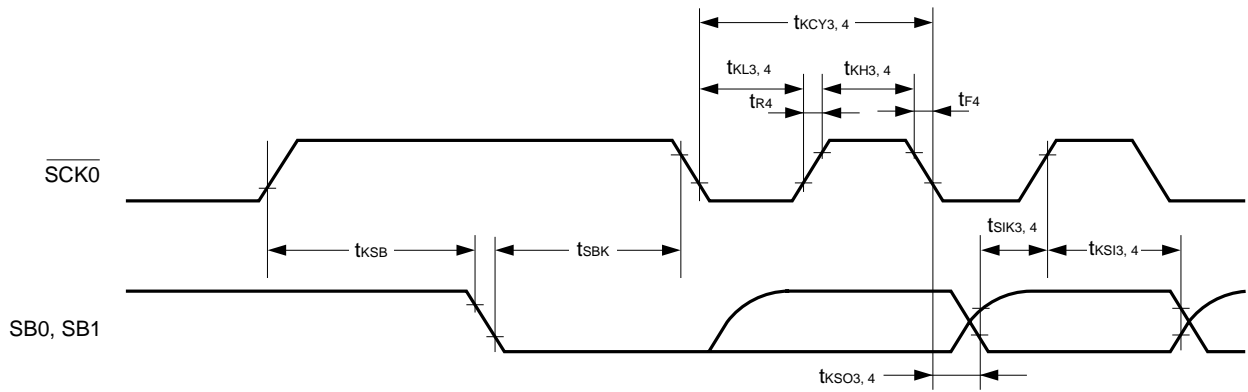


Remark  $m = 1, 2, 9, 10, 13, 14$   
 $n = 2, 10, 14$

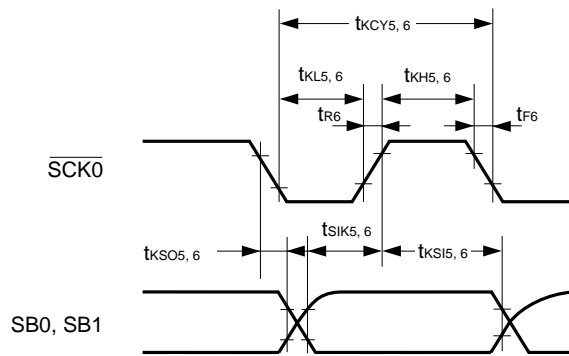
SBI mode (bus release signal transfer):



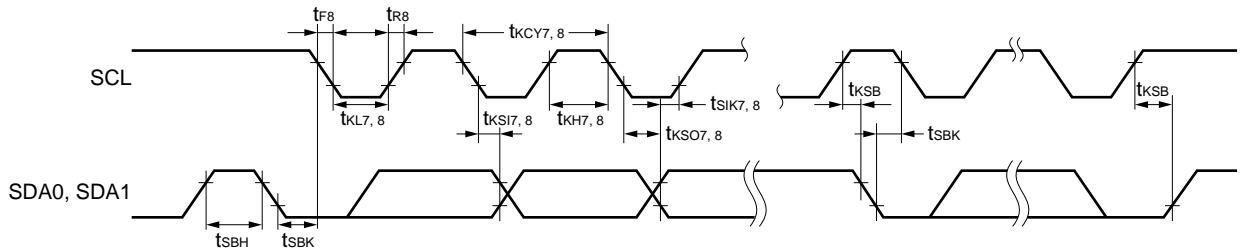
**SBI mode (command signal transfer):**



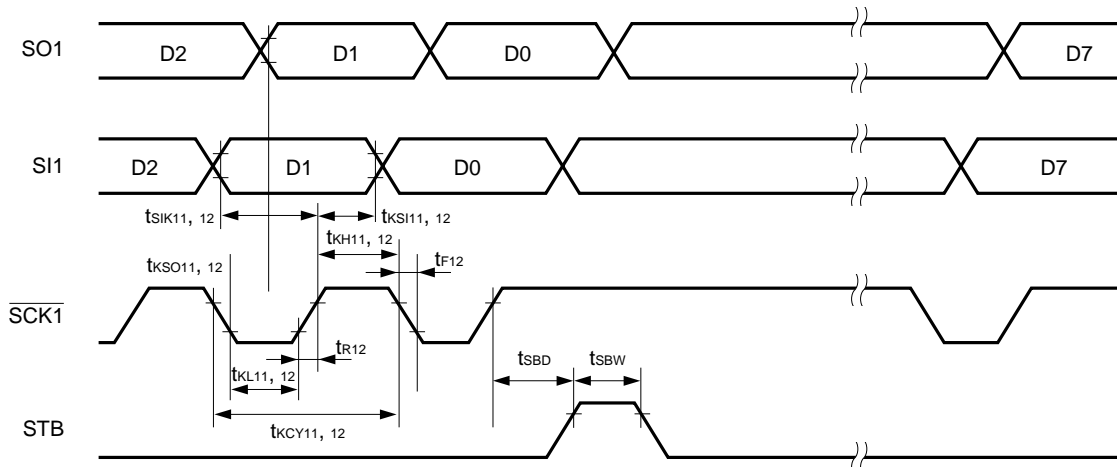
**2-wire serial I/O mode:**



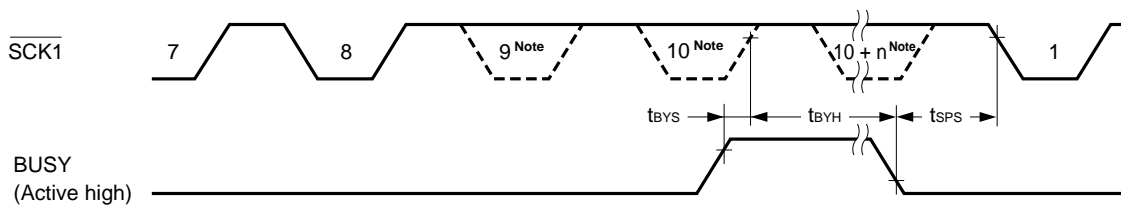
**I<sup>2</sup>C bus mode:**



3-wire serial I/O mode with automatic transmit/receive function:



3-wire serial I/O mode with automatic transmit/receive function (busy processing):



**Note** The signal is not actually driven low here; it is shown as such to indicate the timing.

IEBus Controller Characteristics (T<sub>A</sub> = -40 to +85°C, V<sub>DD</sub> = 3.5 to 5.5 V)

Parameter	Symbol	Conditions	MIN.	TYP.	MAX.	Unit
IEBus system clock frequency	f <sub>s</sub>	Fixed to mode 1		6.3 <sup>Note</sup>		MHz

**Note** Although the system clock frequency is 6.0 MHz in the IEBus standard, in these products, normal operation is guaranteed at 6.3 MHz.

**Remark** 6.0 MHz and 6.3 MHz cannot both be used as the IEBus system clock frequency.



**A/D Converter Characteristics (T<sub>A</sub> = -40 to +85°C, V<sub>DD</sub> = AV<sub>DD</sub> = 3.5 to 5.5 V)**

Parameter	Symbol	Conditions	MIN.	TYP.	MAX.	Unit
Resolution			8	8	8	bit
Total conversion error <sup>Notes 1, 2</sup>		V <sub>DD</sub> = 4.5 to 5.5 V			±1.0	%FSR
					±1.4	%FSR
Conversion time	t <sub>CONV</sub>		15.2		45.7	μs
Analog input voltage	V <sub>IAN</sub>		0		V <sub>DD</sub>	V

- Notes** 1. Excluding quantization error (±0.2%FSR)  
 2. This value is indicated as a ratio to the full-scale value.

**PLL Characteristics (T<sub>A</sub> = -40 to +85°C, V<sub>DD</sub> = 4.5 to 5.5 V)**

Parameter	Symbol	Conditions	MIN.	TYP.	MAX.	Unit
Operating frequency	f <sub>IN1</sub>	VCOL pin, MF mode, sine wave input, V <sub>IN</sub> = 0.15 V <sub>P-P</sub>	0.5		3.0	MHz
	f <sub>IN2</sub>	VCOL pin, HF mode, sine wave input, V <sub>IN</sub> = 0.15 V <sub>P-P</sub>	10		40	MHz
	f <sub>IN3</sub>	VCOH pin, VHF mode, sine wave input, V <sub>IN</sub> = 0.15 V <sub>P-P</sub>	60		130	MHz
	f <sub>IN4</sub>	VCOH pin, VHF mode, sine wave input, V <sub>IN</sub> = 0.3 V <sub>P-P</sub>	40		160	MHz

**Remark** The above values are the result of NEC's evaluation of the device. If the device is likely to be affected by noise in your application, it is recommended to use the device at a voltage higher than the above values.

**IFC Characteristics (T<sub>A</sub> = -40 to +85°C, V<sub>DD</sub> = 4.5 to 5.5 V)**

Parameter	Symbol	Conditions	MIN.	TYP.	MAX.	Unit
Operating frequency	f <sub>IN5</sub>	AMIFC pin, AMIF count mode, sine wave input, V <sub>IN</sub> = 0.15 V <sub>P-P</sub>	0.4		0.5	MHz
	f <sub>IN6</sub>	FMIFC pin, FMIF count mode, sine wave input, V <sub>IN</sub> = 0.15 V <sub>P-P</sub>	10		11	MHz
	f <sub>IN7</sub>	FMIFC pin, AMIF count mode, sine wave input, V <sub>IN</sub> = 0.15 V <sub>P-P</sub>	0.4		0.5	MHz

**Remark** The above values are the result of NEC's evaluation of the device. If the device is likely to be affected by noise in your application, it is recommended to use the device at a voltage higher than the above values.

Flash Memory Programming Characteristics (V<sub>DD</sub> = 3.5 to 5.5 V, T<sub>A</sub> = 10 to 40°C)

(1) Write/delete characteristics

Parameter	Symbol	Conditions	MIN.	TYP.	MAX.	Unit
Write current (V <sub>DD</sub> pin) <sup>Note</sup>	t <sub>DDW</sub>	When V <sub>PP</sub> = V <sub>PP1</sub> , f <sub>X</sub> = 6.3 MHz			23	mA
Write current (V <sub>PP</sub> pin) <sup>Note</sup>	I <sub>PPW</sub>	When V <sub>PP</sub> = V <sub>PP1</sub> , f <sub>X</sub> = 6.3 MHz			20	mA
Delete current (V <sub>DD</sub> pin) <sup>Note</sup>	I <sub>DDE</sub>	When V <sub>PP</sub> = V <sub>PP1</sub> , f <sub>X</sub> = 6.3 MHz			23	mA
Delete current (V <sub>PP</sub> pin) <sup>Note</sup>	I <sub>PPE</sub>	When V <sub>PP</sub> = V <sub>PP1</sub>			100	mA
Unit delete time	t <sub>ER</sub>		0.5	1	1	s
Total delete time	t <sub>ERA</sub>				20	s
Number of overwrite	C <sub>WRT</sub>	Delete and write are counted as one cycle			20	times
V <sub>PP</sub> power supply voltage	V <sub>PP0</sub>	In normal mode	0		0.2 V <sub>DD</sub>	V
	V <sub>PP1</sub>	At flash memory programming	9.7	10.0	10.3	V

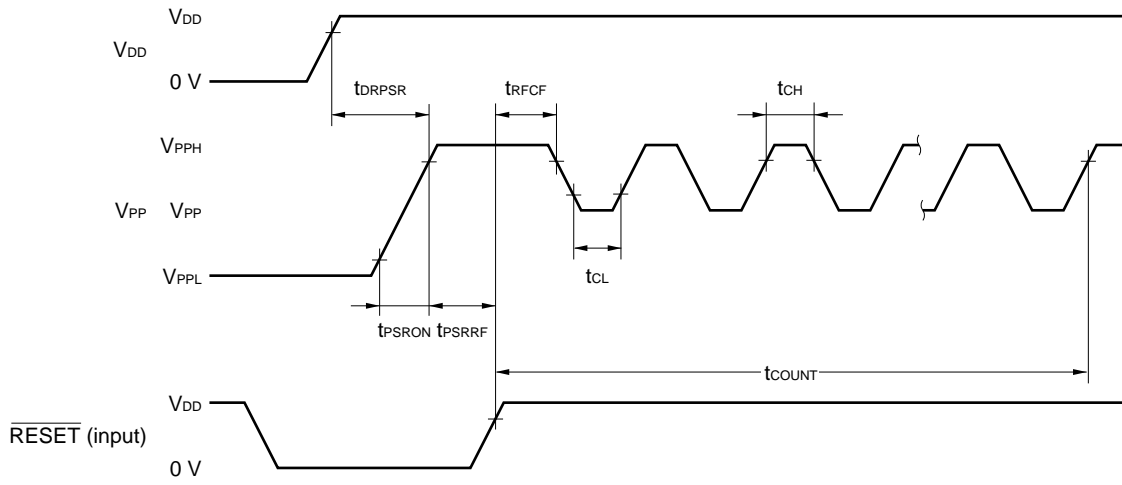
**Note** AV<sub>DD</sub> current and Port current (current flowing to internal pull-up resistor) are not included.

**Remark** f<sub>X</sub>: System clock oscillation frequency

(2) Serial write operation characteristics

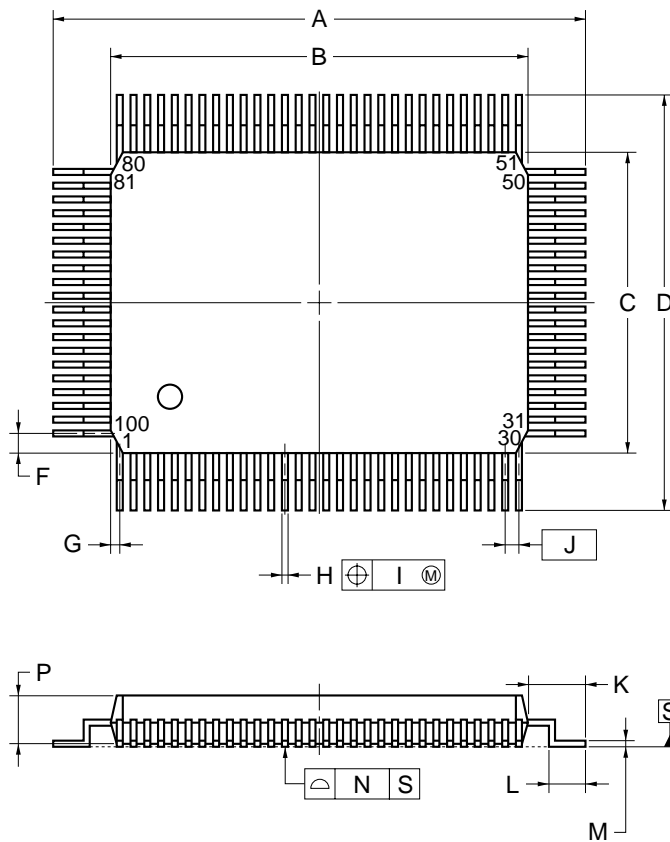
Parameter	Symbol	Conditions	MIN.	TYP.	MAX.	Unit
V <sub>PP</sub> setup time	t <sub>PSRON</sub>	V <sub>PP</sub> high voltage	1.0			μs
V <sub>PP</sub> ↑ setup time from V <sub>DD</sub> ↑	t <sub>DRPSR</sub>	V <sub>PP</sub> high voltage	1.0			μs
RESET↑ setup time from V <sub>PP</sub> ↑	t <sub>PSRRF</sub>	V <sub>PP</sub> high voltage	1.0			μs
V <sub>PP</sub> count start time from RESET↑	t <sub>RFCF</sub>		1.0			μs
Count execution time	t <sub>COUNT</sub>				2.0	ms
V <sub>PP</sub> counter high-level width	t <sub>CH</sub>		8.0			μs
V <sub>PP</sub> counter low-level width	t <sub>CL</sub>		8.0			μs
V <sub>PP</sub> counter noise elimination width	t <sub>NFW</sub>			40		ns

Flash Write Mode Setting Timing



8. PACKAGE DRAWING

★ 100-PIN PLASTIC QFP (14x20)



**NOTE**

Each lead centerline is located within 0.15 mm of its true position (T.P.) at maximum material condition.

ITEM	MILLIMETERS
A	23.6±0.4
B	20.0±0.2
C	14.0±0.2
D	17.6±0.4
F	0.8
G	0.6
H	0.30±0.10
I	0.15
J	0.65 (T.P.)
K	1.8±0.2
L	0.8±0.2
M	0.15 <sup>+0.10</sup> <sub>-0.05</sub>
N	0.10
P	2.7±0.1
Q	0.1±0.1
R	5°±5°
S	3.0 MAX.

P100GF-65-3BA1-4

★ 9. RECOMMENDED SOLDERING CONDITIONS

Solder this product under the following recommended conditions.

For details of the recommended soldering conditions, refer to information document **Semiconductor Device Mounting Technology Manual (C10535E)**.

For soldering methods and conditions other than those recommended, consult NEC.

**Table 9-1. Soldering Conditions for Surface-Mount Type**

μPD178F098GF-3BA: 100-pin plastic QFP (14 × 20)

Soldering Method	Soldering Conditions	Recommended Conditions Symbol
Infrared reflow	Package peak temperature: 235°C, Time: 30 sec max. (210°C min.), Number of times: 3 max.	IR35-00-3
VPS	Package peak temperature: 215°C, Time: 40 sec max. (200°C min.), Number of times: 3 max.	VP15-00-3
Wave soldering	Solder bath temperature: 260°C max., Time: 10 sec max., Number of times: 1, Preheating temperature: 120°C max., (Package surface temperature)	WS60-00-1
Partial heating	Pin temperature: 300°C max., Time: 3 sec max (per device side)	—

**Caution** Do not use two or more soldering methods in combination (except partial heating).

## ★ APPENDIX A. DEVELOPMENT TOOLS

The following development tools are available for development of systems using the μPD178078 and 178098 subseries.

**Language processor software**

RA78K/0 <sup>Notes 1, 2, 3</sup>	Assembler package common to 78K/0 series
CC78K/0 <sup>Notes 1, 2, 3</sup>	C compiler package common to 78K/0 series
DF178098 <sup>Notes 1, 2, 3</sup>	Device file for μPD178078 subseries and μPD178098 subseries
CC78K0-L <sup>Notes 1, 2, 3</sup>	C compiler library source file common to 78K/0 series

**Flash memory writing tools**

Fashpro III (Part number: FL-PR3 <sup>Note 4</sup> , PG-FL3)	Dedicated flash programmer
FA-100GF-3BA <sup>Note 4</sup>	Flash programmer adapter

**Debugging tools**• **When in-circuit emulator IE-78K0-NS is used**

IE-78K0-NS	In-circuit emulator common to 78K/0 series
IE-70000-MC-PS-B	Power supply unit for IE-78K0-NS
IE-78K0-NS-PA	Performance board for enhancing and expanding the IE-78K0-NS function
IE-70000-98-IF-C	Interface adapter necessary when PC-9800 series (except notebook type) is used as host machine (C bus supported)
IE-70000-CD-IF-A	PC card and interface cable necessary when a notebook-type PC is used as host machine (PCMCIA socket supported)
IE-70000-PC-IF-C	Interface adapter necessary when a IBM PC/AT™ compatible machine is used as host machine (ISA bus supported)
IE-70000-PCI-IF	Interface adapter necessary when a PC with a PCI bus is used as host machine
IE-178098-NS-EM1	Emulation board to emulate μPD178078 and 178098 subseries
NP-100GF <sup>Note 4</sup>	Emulation probe for 100-pin plastic QFP (GF-3BA type)
EV-9200GF-100	Socket mounted on board of target system created for 100-pin plastic QFP (GF-3BA type)
SM78K0 <sup>Notes 1, 2</sup>	System simulator common to 78K/0 series
ID78K0-NS <sup>Notes 1, 2</sup>	Integrated debugger common to 78K/0 series
DF178098 <sup>Notes 1, 2, 3</sup>	Device file for μPD178078 subseries and μPD178098 subseries

- Notes**
1. PC-9800 series (Japanese Windows™) based
  2. IBM PC/AT compatible machine (Japanese/English windows) based
  3. HP9000 series 700™ (HP-UX™) based, SPARCstation™ (SunOS™, Solaris™) based, NEWS™ (NEWS-OS™) based
  4. Products of Naito Densai Machida Mfg. Co., Ltd. (Tel: 044-822-3813).

**Remark** Use the RA78K0, CC78K0, and SM78K0 in combination with the DF178098.

• When in-circuit emulator IE-78001-R-A is used

IE-78001-R-A	In-circuit emulator common to 78K/0 series
IE-70000-98-IF-C	Interface adapter necessary when PC-9800 series (except notebook type) is used as host machine (C bus supported)
IE-70000-PC-IF-C	Interface adapter necessary when IBM PC/AT compatible machine is used as host machine (ISA bus supported)
IE-70000-PCI-IF	Interface adapter necessary when a PC with a PCI bus is used as host machine
IE-78000-R-SV3	Interface adapter and cable necessary when EWS is used as host machine
IE-178098-NS-EM1	Emulation board to emulate μPD178078 and 178098 subseries
IE-78K0-R-EX1	Emulation probe conversion board necessary when using IE-178098-NS-EM1 on IE-78001-R-A
EP-78064GF-R	Emulation probe for 100-pin plastic QFP (GF-3BA type)
EV-9200GF-100	Socket mounted on board of target system created for 100-pin plastic QFP (GF-3BA type)
SM78K0 <sup>Notes 1, 2</sup>	System simulator common to 78K/0 series
ID78K0 <sup>Notes 1, 2</sup>	Integrated debugger common to 78K/0 series
DF178098 <sup>Notes 1, 2, 3</sup>	Device file for μPD178078 subseries and μPD178098 subseries

Real-time OS

RX78K0 <sup>Notes 1, 2, 3</sup>	Real-time OS for 78K/0 series
MX78K0 <sup>Notes 1, 2, 3</sup>	OS for 78K/0 series

- Notes**
1. PC-9800 series (Japanese Windows) based
  2. IBM PC/AT compatible machine (Japanese/English windows) based
  3. HP9000 series 700 (HP-UX) based, SPARCstation (SunOS, Solaris) based, NEWS (NEWS-OS) based

**Remark** Use the SM78K0 in combination with the DF178098.

★ APPENDIX B. RELATED DOCUMENTS

The related documents indicated in this publication may include preliminary versions. However, preliminary versions are not marked as such.

Device Documents

Title		Document No.	
		Japanese	English
μPD178076, 178078, 178096, 178098 Data Sheet		U12885J	U12885E
μPD178F098 Data Sheet		U12920J	This document
μPD178078, 178098 Subseries User's Manual		U12790J	U12790E
78K/0 Series User's Manual - Instruction		U12326J	U12326E
78K/0 Series Application Note	Basics (I)	U12704J	U12704E
78K/0, 78K/0S Series Flash Memory Write Application Note		U14458J	U14458E

Development Tool Documents (User's Manual)

Title		Document No.	
		Japanese	English
RA78K0 Assembler Package	Operation	U11802J	U11802E
	Assembly Language	U11801J	U11801E
	Structured Assembly Language	U11789J	U11789E
CC78K0 C Compiler	Operation	U11517J	U11517E
	Language	U11518J	U11518E
IE-78001-R-A		U14142J	To be prepared
IE-78K0-NS		U13731J	U13731E
IE-178098-NS-EM1		U14013J	U14013E
EP-78064		EEU-934	EEU-1469
SM78K0 System Simulator Windows Based	Reference	U10181J	U10181E
SM78K Series System Simulator	External Parts User Open Interface Specifications	U10092J	U10092E
ID78K0 Integrated Debugger EWS Based	Reference	U11151J	—
ID78K0 Integrated Debugger PC Based	Reference	U11539J	U11539E
ID78K0 Integrated Debugger Windows Based	Guide	U11649J	U11649E
ID78K0-NS Integrated Debugger Windows Based	Reference	U12900J	U12900E
	Operation	U14379J	To be prepared

**Caution** The contents of the above documents are subject to change without notice. Please ensure that the latest versions are used in design work, etc.



**Related Documents for Embedded Software (User's Manual)**

Title		Document No.	
		Japanese	English
78K/0 Series Real-time OS	Fundamental	U11537J	U11537E
	Installation	U11536J	U11536E
78K/0 Series OS MX78K0	Fundamental	U12257J	U12257E

**Other Documents**

Title	Document No.	
	Japanese	English
SEMICONDUCTOR SELECTION GUIDE Products & Packages (CD-ROM)	X13769X	
Semiconductor Device Mounting Technology Manual	C10535J	C10535E
Quality Guides on NEC Semiconductor Devices	C11531J	C11531E
NEC Semiconductor Device Reliability and Quality Control	C10983J	C10983E
Guide to Prevent Damage for Semiconductor Devices by Electrostatic Discharge (ESD)	C11892J	C11892E
Semiconductor Device Quality/Reliability Handbook	C12769J	—
Microcomputer Product Series Guide	U11416J	—

**Caution** The contents of the above documents are subject to change without notice. Ensure that the latest versions are used in design work, etc.

## NOTES FOR CMOS DEVICES

### ① PRECAUTION AGAINST ESD FOR SEMICONDUCTORS

Note:

Strong electric field, when exposed to a MOS device, can cause destruction of the gate oxide and ultimately degrade the device operation. Steps must be taken to stop generation of static electricity as much as possible, and quickly dissipate it once, when it has occurred. Environmental control must be adequate. When it is dry, humidifier should be used. It is recommended to avoid using insulators that easily build static electricity. Semiconductor devices must be stored and transported in an anti-static container, static shielding bag or conductive material. All test and measurement tools including work bench and floor should be grounded. The operator should be grounded using wrist strap. Semiconductor devices must not be touched with bare hands. Similar precautions need to be taken for PW boards with semiconductor devices on it.

### ② HANDLING OF UNUSED INPUT PINS FOR CMOS

Note:

No connection for CMOS device inputs can be cause of malfunction. If no connection is provided to the input pins, it is possible that an internal input level may be generated due to noise, etc., hence causing malfunction. CMOS devices behave differently than Bipolar or NMOS devices. Input levels of CMOS devices must be fixed high or low by using a pull-up or pull-down circuitry. Each unused pin should be connected to  $V_{DD}$  or GND with a resistor, if it is considered to have a possibility of being an output pin. All handling related to the unused pins must be judged device by device and related specifications governing the devices.

### ③ STATUS BEFORE INITIALIZATION OF MOS DEVICES

Note:

Power-on does not necessarily define initial status of MOS device. Production process of MOS does not define the initial operation status of the device. Immediately after the power source is turned ON, the devices with reset function have not yet been initialized. Hence, power-on does not guarantee out-pin levels, I/O settings or contents of registers. Device is not initialized until the reset signal is received. Reset operation must be executed immediately after power-on for devices having reset function.

Purchase of NEC I<sup>2</sup>C components conveys a license under the Philips I<sup>2</sup>C Patent Rights to use these components in an I<sup>2</sup>C system, provided that the system conforms to the I<sup>2</sup>C Standard Specification as defined by Philips.

**IEBus is a trademark of NEC Corporation.**

**Windows is either a registered trademark or trademark of Microsoft Corporation in the United States and/or other countries.**

**PC/AT is a trademark of IBM Corporation.**

**HP9000 series 700 and HP-UX are trademarks of Hewlett-Packard Company.**

**SPARCstation is a trademark of SPARC International, Inc.**

**Solaris and SunOS are trademarks of Sun Microsystems, Inc.**

**NEWS and NEWS-OS are trademarks of Sony Corporation.**

## Regional Information

Some information contained in this document may vary from country to country. Before using any NEC product in your application, please contact the NEC office in your country to obtain a list of authorized representatives and distributors. They will verify:

- Device availability
- Ordering information
- Product release schedule
- Availability of related technical literature
- Development environment specifications (for example, specifications for third-party tools and components, host computers, power plugs, AC supply voltages, and so forth)
- Network requirements

In addition, trademarks, registered trademarks, export restrictions, and other legal issues may also vary from country to country.

### **NEC Electronics Inc. (U.S.)**

Santa Clara, California  
Tel: 408-588-6000  
800-366-9782  
Fax: 408-588-6130  
800-729-9288

### **NEC Electronics (Germany) GmbH**

Duesseldorf, Germany  
Tel: 0211-65 03 02  
Fax: 0211-65 03 490

### **NEC Electronics (UK) Ltd.**

Milton Keynes, UK  
Tel: 01908-691-133  
Fax: 01908-670-290

### **NEC Electronics Italiana s.r.l.**

Milano, Italy  
Tel: 02-66 75 41  
Fax: 02-66 75 42 99

### **NEC Electronics (Germany) GmbH**

Benelux Office  
Eindhoven, The Netherlands  
Tel: 040-2445845  
Fax: 040-2444580

### **NEC Electronics (France) S.A.**

Velizy-Villacoublay, France  
Tel: 01-30-67 58 00  
Fax: 01-30-67 58 99

### **NEC Electronics (France) S.A.**

Spain Office  
Madrid, Spain  
Tel: 91-504-2787  
Fax: 91-504-2860

### **NEC Electronics (Germany) GmbH**

Scandinavia Office  
Taeby, Sweden  
Tel: 08-63 80 820  
Fax: 08-63 80 388

### **NEC Electronics Hong Kong Ltd.**

Hong Kong  
Tel: 2886-9318  
Fax: 2886-9022/9044

### **NEC Electronics Hong Kong Ltd.**

Seoul Branch  
Seoul, Korea  
Tel: 02-528-0303  
Fax: 02-528-4411

### **NEC Electronics Singapore Pte. Ltd.**

United Square, Singapore 1130  
Tel: 65-253-8311  
Fax: 65-250-3583

### **NEC Electronics Taiwan Ltd.**

Taipei, Taiwan  
Tel: 02-2719-2377  
Fax: 02-2719-5951

### **NEC do Brasil S.A.**

Electron Devices Division  
Rodovia Presidente Dutra, Km 214  
07210-902-Guarulhos-SP Brasil  
Tel: 55-11-6465-6810  
Fax: 55-11-6465-6829

J99.1

- **The information in this document is current as of June, 2000. The information is subject to change without notice. For actual design-in, refer to the latest publications of NEC's data sheets or data books, etc., for the most up-to-date specifications of NEC semiconductor products. Not all products and/or types are available in every country. Please check with an NEC sales representative for availability and additional information.**
  - No part of this document may be copied or reproduced in any form or by any means without prior written consent of NEC. NEC assumes no responsibility for any errors that may appear in this document.
  - NEC does not assume any liability for infringement of patents, copyrights or other intellectual property rights of third parties by or arising from the use of NEC semiconductor products listed in this document or any other liability arising from the use of such products. No license, express, implied or otherwise, is granted under any patents, copyrights or other intellectual property rights of NEC or others.
  - Descriptions of circuits, software and other related information in this document are provided for illustrative purposes in semiconductor product operation and application examples. The incorporation of these circuits, software and information in the design of customer's equipment shall be done under the full responsibility of customer. NEC assumes no responsibility for any losses incurred by customers or third parties arising from the use of these circuits, software and information.
  - While NEC endeavours to enhance the quality, reliability and safety of NEC semiconductor products, customers agree and acknowledge that the possibility of defects thereof cannot be eliminated entirely. To minimize risks of damage to property or injury (including death) to persons arising from defects in NEC semiconductor products, customers must incorporate sufficient safety measures in their design, such as redundancy, fire-containment, and anti-failure features.
  - NEC semiconductor products are classified into the following three quality grades:  
"Standard", "Special" and "Specific". The "Specific" quality grade applies only to semiconductor products developed based on a customer-designated "quality assurance program" for a specific application. The recommended applications of a semiconductor product depend on its quality grade, as indicated below. Customers must check the quality grade of each semiconductor product before using it in a particular application.  
"Standard": Computers, office equipment, communications equipment, test and measurement equipment, audio and visual equipment, home electronic appliances, machine tools, personal electronic equipment and industrial robots  
"Special": Transportation equipment (automobiles, trains, ships, etc.), traffic control systems, anti-disaster systems, anti-crime systems, safety equipment and medical equipment (not specifically designed for life support)  
"Specific": Aircraft, aerospace equipment, submersible repeaters, nuclear reactor control systems, life support systems and medical equipment for life support, etc.
- The quality grade of NEC semiconductor products is "Standard" unless otherwise expressly specified in NEC's data sheets or data books, etc. If customers wish to use NEC semiconductor products in applications not intended by NEC, they must contact an NEC sales representative in advance to determine NEC's willingness to support a given application.
- (Note)
- (1) "NEC" as used in this statement means NEC Corporation and also includes its majority-owned subsidiaries.
  - (2) "NEC semiconductor products" means any semiconductor product developed or manufactured by or for NEC (as defined above).