

UTC78LXX

LINEAR INTEGRATED CIRCUIT

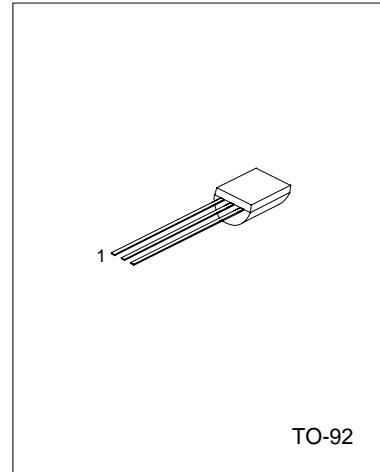
3-TERMINAL 0.1A POSITIVE VOLTAGE REGULATORS

DESCRIPTION

The UTC78LXX series of fixed voltage monolithic integrated circuit voltage regulators are suitable for applications that required supply up to 100mA.

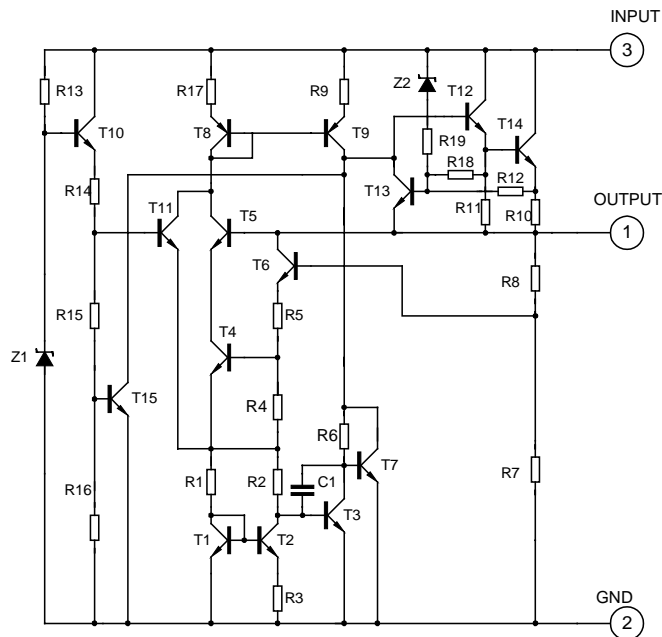
FEATURE

- *Maximum output current of 100mA
- *Output voltage of 5V,6V,8V,9V,10V,12V,15V and 24V
- *Thermal overload protection
- *Short circuit current limiting



1:Output 2:GND; 3:Input

BLOCK DIAGRAM



ABSOLUTE MAXIMUM RATINGS (Operating temperature range applies unless otherwise specified)

CHARACTERISTICS	SYMBOL	VALUE	UNITS
Input voltage(for $V_o=5,8V$) (for $V_o=12,15V$)	V_i	30	V
	V_i	35	V
Operating Junction Temperature Range	T_{OPR}	-20~+120	°C
Storage Temperature Range	T_{STG}	-55~+150	°C

UTC78L05 ELECTRICAL CHARACTERISTICS

(VI=10V, Io=40mA, 0<Tj<125°C, C1=0.33μF, Co=0.1μF, unless otherwise specified)(Note 1)

Characteristic	Symbol	Test conditions	MIN	TYP	MAX	UNIT
Output Voltage	V_o	$T_j=25^\circ C$	4.8	5.0	5.2	V
		$7V \leq V_i \leq 20V, I_o=1mA \sim 40mA$	4.75		5.25	V
		$7V \leq V_i \leq V_{MAX}, I_o=1mA \sim 70mA$	4.75		5.25	V (note 2)
Load Regulation	ΔV_o	$T_j=25^\circ C, I_o=1mA \sim 100mA$		11	60	mV
		$T_j=25^\circ C, I_o=1mA \sim 40mA$		5.0	30	mV
Line regulation	ΔV_o	$7V \leq V_i \leq 20V, T_j=25^\circ C$		8	150	mV
		$8V \leq V_i \leq 20V, T_j=25^\circ C$		6	100	mV
Quiescent Current	I_q			2.0	5.5	mA
Quiescent Current Change	ΔI_q	$8V \leq V_i \leq 20V$			1.5	mA
	ΔI_q	$1mA \leq V_i \leq 40mA$			0.1	mA
Output Noise Voltage	V_N	$10Hz \leq f \leq 100kHz$		40		μV
Temperature coefficient of V_o	$\Delta V_o / \Delta T$	$I_o=5mA$		-0.65		mV/°C
Ripple Rejection	RR	$8V \leq V_i \leq 20V, f=120Hz, T_j=25^\circ C$	41	80		dB
Dropout Voltage	V_d	$T_j=25^\circ C$		1.7		V

UTC78L06 ELECTRICAL CHARACTERISTICS

(VI=12V, Io=40mA, 0<Tj<125°C, C1=0.33μF, Co=0.1μF, unless otherwise specified)(Note 1)

Characteristic	Symbol	Test conditions	MIN	TYP	MAX	UNIT
Output Voltage	V_o	$T_j=25^\circ C$	5.75	6.0	6.25	V
		$8.5V \leq V_i \leq 20V, I_o=1mA \sim 40mA$	5.7		6.3	V
		$8.5V \leq V_i \leq V_{MAX}, I_o=1mA \sim 70mA$	5.7		6.3	V (note 2)
Load Regulation	ΔV_o	$T_j=25^\circ C, I_o=1mA \sim 100mA$		12.8	80	mV
		$T_j=25^\circ C, I_o=1mA \sim 70mA$		5.8	40	mV
Line regulation	ΔV_o	$8.5V \leq V_i \leq 20V, T_j=25^\circ C$		64	175	mV
		$9V \leq V_i \leq 20V, T_j=25^\circ C$		54	125	mV
Quiescent Current	I_q			3.9	6.0	mA
Quiescent Current Change	ΔI_q	$9V \leq V_i \leq 20V$			1.5	mA
	ΔI_q	$1mA \leq V_i \leq 40mA$			0.1	mA
Output Noise Voltage	V_N	$10Hz \leq f \leq 100kHz$		49		μV
Temperature coefficient of V_o	$\Delta V_o / \Delta T$	$I_o=5mA$		0.75		mV/°C
Ripple Rejection	RR	$10V \leq V_i \leq 20V, f=120Hz, T_j=25^\circ C$	40	46		dB
Dropout Voltage	V_d	$T_j=25^\circ C$		1.7		V

UTC78L08 ELECTRICAL CHARACTERISTICS

(VI=14V, Io=40mA, 0<Tj<125°C, C1=0.33μF, Co=0.1μF, unless otherwise specified)(Note 1)

Characteristic	Symbol	Test conditions	MIN	TYP	MAX	UNIT
Output Voltage	Vo	Tj=25°C	7.7	8.0	8.3	V
		10.5V≤Vi≤23V, Io=1mA~40mA	7.6		8.4	V
		10.5V≤Vi≤VMAX, Io=1mA~70mA	7.6		8.4	V (note 2)
Load Regulation	ΔVo	Tj=25°C, Io=1mA~100mA		15	80	mV
		Tj=25°C, Io=1mA~70mA		8.0	40	mV
Line regulation	ΔVo	10.5V≤Vi≤23V, Tj=25°C		10	175	mV
		11V≤Vi≤23V, Tj=25°C		8	125	mV
Quiescent Current	Iq			2.0	5.5	mA
Quiescent Current Change	ΔIq	11V≤Vi≤23V			1.5	mA
	ΔIq	1mA≤Vi≤40mA			0.1	mA
Output Noise Voltage	VN	10Hz≤f≤100kHz		49		μV
Temperature coefficient of Vo	ΔVo/ΔT	Io=5mA		0.75		mV/°C
Ripple Rejection	RR	11V≤Vi≤23V, f=120Hz, Tj=25°C	39	70		dB
Dropout Voltage	Vd	Tj=25°C		1.7		V

UTC78L09 ELECTRICAL CHARACTERISTICS

(VI=15V, Io=40mA, 0<Tj<125°C, C1=0.33μF, Co=0.1μF, unless otherwise specified)(Note 1)

Characteristic	Symbol	Test conditions	MIN	TYP	MAX	UNIT
Output Voltage	Vo	Tj=25°C	8.64	9.0	9.36	V
		11.5V≤Vi≤24V, Io=1mA~40mA	8.55		9.45	V
		11.5V≤Vi≤VMAX, Io=1mA~70mA	8.55		9.45	V (note 2)
Load Regulation	ΔVo	Tj=25°C, Io=1mA~100mA		20	90	mV
		Tj=25°C, Io=1mA~40mA		10	45	mV
Line regulation	ΔVo	11.5V≤Vi≤24V, Tj=25°C		90	200	mV
		13V≤Vi≤24V, Tj=25°C		100	150	mV
Quiescent Current	Iq			2.0	6.0	mA
Quiescent Current Change	ΔIq	13V≤Vi≤24V			1.5	mA
	ΔIq	1mA≤Vi≤40mA			0.1	mA
Output Noise Voltage	VN	10Hz≤f≤100kHz		49		μV
Temperature coefficient of Vo	ΔVo/ΔT	Io=5mA		0.75		mV/°C
Ripple Rejection	RR	12V≤Vi≤23V, f=120Hz, Tj=25°C	38	44		dB
Dropout Voltage	Vd	Tj=25°C		1.7		V

UTC78L10 ELECTRICAL CHARACTERISTICS

(VI=16V, Io=40mA, 0<Tj<125°C, C1=0.33μF, Co=0.1μF, unless otherwise specified)(Note 1)

Characteristic	Symbol	Test conditions	MIN	TYP	MAX	UNIT
Output Voltage	Vo	Tj=25°C	9.6	10.0	10.4	V
		12.5V≤Vi≤23V, Io=1mA~40mA	9.5		10.5	V
		12.5V≤Vi≤VMAX, Io=1mA~70mA	9.5		10.5	V (note 2)
Load Regulation	ΔVo	Tj=25°C, Io=1mA~100mA		20	94	mV
		Tj=25°C, Io=1mA~70mA		10	47	mV
Line regulation	ΔVo	12.5V≤Vi≤23V, Tj=25°C		100	220	mV
		14V≤Vi≤23V, Tj=25°C		200	170	mV
Quiescent Current	Iq		4.2	6.5	mA	
Quiescent Current Change	ΔIq	12.5V≤Vi≤23V			1.5	mA
	ΔIq	1mA≤Vi≤40mA			0.1	mA
Output Noise Voltage	VN	10Hz≤f≤100kHz		74		μV
Temperature coefficient of Vo	ΔVo/ΔT	Io=5mA		0.95		mV/°C
Ripple Rejection	RR	15V≤Vi≤23V, f=120Hz, Tj=25°C	38	43		dB
Dropout Voltage	Vd	Tj=25°C		1.7		V

UTC78L12 ELECTRICAL CHARACTERISTICS

(VI=19V, Io=40mA, 0<Tj<125°C, C1=0.33μF, Co=0.1μF, unless otherwise specified)(Note 1)

Characteristic	Symbol	Test conditions	MIN	TYP	MAX	UNIT
Output Voltage	Vo	Tj=25°C	11.5	15	15.6	V
		14.5V≤Vi≤27V, Io=1mA~40mA	11.4		12.6	V
		14.5V≤Vi≤VMAX, Io=1mA~70mA	11.4		12.6	V (note 2)
Load Regulation	ΔVo	Tj=25°C, Io=1mA~100mA		25	150	mV
		Tj=25°C, Io=1mA~40mA		12	75	mV
Line regulation	ΔVo	14.5V≤Vi≤27V, Tj=25°C		25	300	mV
		16V≤Vi≤27V, Tj=25°C		20	250	mV
Quiescent Current	Iq		2.0	6.0	mA	
Quiescent Current Change	ΔIq	16V≤Vi≤27V			1.5	mA
	ΔIq	1mA≤Vi≤40mA			0.1	mA
Output Noise Voltage	VN	10Hz≤f≤100kHz		80		μV
Temperature coefficient of Vo	ΔVo/ΔT	Io=5mA		-1.0		mV/°C
Ripple Rejection	RR	15V≤Vi≤25V, f=120Hz, Tj=25°C	37	65		dB
Dropout Voltage	Vd	Tj=25°C		1.7		V

UTC78L15 ELECTRICAL CHARACTERISTICS

(VI=23V, Io=40mA, 0<Tj<125°C, C1=0.33μF, Co=0.1μF, unless otherwise specified)(Note 1)

Characteristic	Symbol	Test conditions	MIN	TYP	MAX	UNIT
Output Voltage	Vo	Tj=25°C	14.4	15	15.6	V
		17.5V≤Vi≤30V, Io=1mA~40mA	14.25		15.75	V
		17.5V≤Vi≤VMAX, Io=1mA~70mA	14.25		15.75	V (note 2)
Load Regulation	ΔVo	Tj=25°C, Io=1mA~100mA		20	150	mV
		Tj=25°C, Io=1mA~70mA		25	150	mV
Line regulation	ΔVo	17.5V≤Vi≤30V, Tj=25°C		25	150	mV
		20V≤Vi≤30V, Tj=25°C		15	75	mV
Quiescent Current	Iq			2.2	6.5	mA
Quiescent Current Change	ΔIq	20V≤Vi≤30V			1.5	mA
	ΔIq	1mA≤Vi≤40mA			0.1	mA
Output Noise Voltage	VN	10Hz≤f≤100kHz		90		μV
Temperature coefficient of Vo	ΔVo/ΔT	Io=5mA		-1.3		mV/°C
Ripple Rejection	RR	18.5V≤Vi≤28.5V, f=120Hz, Tj=25°C	34	63		dB
Dropout Voltage	Vd	Tj=25°C		1.7		V

UTC78L18 ELECTRICAL CHARACTERISTICS

(VI=27V, Io=40mA, 0<Tj<125°C, C1=0.33μF, Co=0.1μF, unless otherwise specified)(Note 1)

Characteristic	Symbol	Test conditions	MIN	TYP	MAX	UNIT
Output Voltage	Vo	Tj=25°C	17.3	18	18.7	V
		21V≤Vi≤33V, Io=1mA~40mA	17.1		18.9	V
		21V≤Vi≤VMAX, Io=1mA~70mA	17.1		18.9	V (note 2)
Load Regulation	ΔVo	Tj=25°C, Io=1mA~100mA		30	170	mV
		Tj=25°C, Io=1mA~40mA		15	85	mV
Line regulation	ΔVo	21V≤Vi≤33V, Tj=25°C		145	300	mV
		22V≤Vi≤33V, Tj=25°C		135	250	mV
Quiescent Current	Iq			2.0	6.0	mA
Quiescent Current Change	ΔIq	21V≤Vi≤33V			1.5	mA
	ΔIq	1mA≤Vi≤40mA			0.1	mA
Output Noise Voltage	VN	10Hz≤f≤100kHz		150		μV
Temperature coefficient of Vo	ΔVo/ΔT	Io=5mA		-1.8		mV/°C
Ripple Rejection	RR	23V≤Vi≤33V, f=120Hz, Tj=25°C	34	48		dB
Dropout Voltage	Vd	Tj=250°C		1.7		V

UTC78L24 ELECTRICAL CHARACTERISTICS

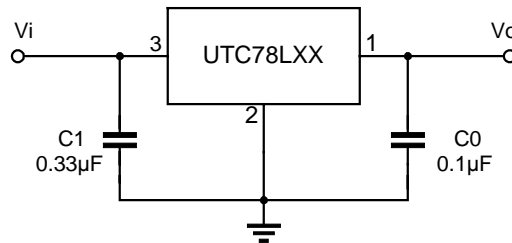
($V_i=33V, I_o=40mA, 0 < T_j < 125^\circ C, C_1=0.33\mu F, C_o=0.1\mu F$, unless otherwise specified)(Note 1)

Characteristic	Symbol	Test conditions	MIN	TYP	MAX	UNIT
Output Voltage	V_o	$T_j=25^\circ C$	23	24	25	V
		$27V \leq V_i \leq 38V, I_o=1mA \sim 40mA$	22.8		25.2	V
		$27V \leq V_i \leq V_{MAX}, I_o=1mA \sim 70mA$	22.8		25.2	V (note 2)
Load Regulation	ΔV_o	$T_j=25^\circ C, I_o=1mA \sim 100mA$		40	200	mV
		$T_j=25^\circ C, I_o=1mA \sim 40mA$		20	100	mV
Line regulation	ΔV_o	$27V \leq V_i \leq 38V, T_j=25^\circ C$		160	300	mV
		$28V \leq V_i \leq 38V, T_j=25^\circ C$		150	250	mV
Quiescent Current	I_q			2.2	6.0	mA
Quiescent Current Change	ΔI_q	$27V \leq V_i \leq 38V$			1.5	mA
		$1mA \leq I_o \leq 40mA$			0.1	mA
Output Noise Voltage	V_N	$10Hz \leq f \leq 100kHz$		200		μV
Temperature coefficient of V_o	$\Delta V_o / \Delta T$	$I_o=5mA$		-2.0		$mV/^\circ C$
Ripple Rejection	RR	$27V \leq V_i \leq 38V, f=120Hz, T_j=25^\circ C$	34	45		dB
Dropout Voltage	V_d	$T_j=25^\circ C$		1.7		V

Note 1: The Maximum steady state usable output current and input voltage are very dependent on the heating sinking and/or lead temperature length of the package. The data above represent pulse test conditions with junction temperatures as indicated at the initiation of test.

Note 2: Power dissipation < 0.75W

TYPICAL APPLICATION



Note 1: To specify an output voltage, substitute voltage value for "XX".

Note 2: Bypass capacitors are recommended for optimum stability and transient response and should be located as close as possible to the regulators.