



## UUDZ 12B

Preliminary

DIODE

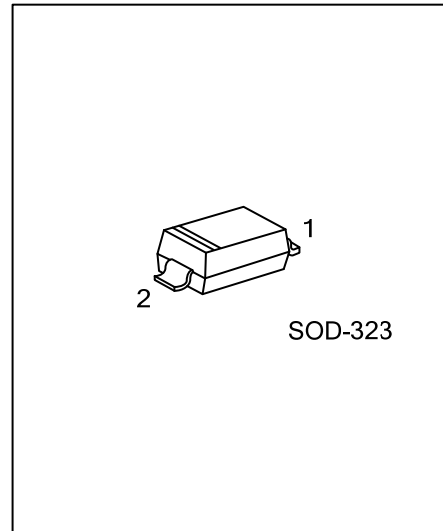
### ZENER DIODE

#### DESCRIPTION

The UTC **UUDZ 12B** is a surface mount silicon Zener Diode using UTC's advanced technology to provide customers with low power dissipation.

#### FEATURES

- \* Low Power Dissipation: 200mW
- \* Zener Voltage (Min.=11.74V, Max.=12.24V)
- \* High reliability



#### ORDERING INFORMATION

Ordering Number	Package	Pin Assignment		Packing
		1	2	
UUDZ 12BG-CB2-R	SOD-323	A	K	Tape Reel

Note: Pin Assignment: A: Anode K: Cathode

<p>UUDZ 12BG-CB2-R</p>	<p>(1) R: Tape Reel</p> <p>(2) CB2: SOD-323</p> <p>(3) G: Halogen Free and Lead Free</p>
------------------------	--

#### MARKING



■ ABSOLUTE MAXIMUM RATINGS ( $T_A=25^{\circ}\text{C}$ , unless otherwise specified)

PARAMETER	SYMBOL	RATINGS	UNIT
Power dissipation	$P_D$	200	mW
Junction Temperature	$T_J$	150	$^{\circ}\text{C}$
Operating Temperature	$T_{OPR}$	-55~150	$^{\circ}\text{C}$
Storage Temperature	$T_{STG}$	-55~150	$^{\circ}\text{C}$

Note: Absolute maximum ratings are those values beyond which the device could be permanently damaged. Absolute maximum ratings are stress ratings only and functional device operation is not implied.

■ ELECTRICAL CHARACTERISTICS ( $T_A=25^{\circ}\text{C}$ , unless otherwise specified)

PARAMETER	SYMBOL	TEST CONDITIONS	MIN	TYP	MAX	UNIT
Zener Voltage	$V_Z$	$I_Z=5\text{mA}$	11.74		12.24	V
Dynamic Impedance	$Z_Z$	$I_Z=5\text{mA}$			30	$\Omega$
Dynamic Knee Impedance	$Z_{ZK}$	$I_Z=0.5\text{mA}$			80	$\Omega$
Reverse Current	IR	$V_R=9\text{V}$			0.1	$\mu\text{A}$

UTC assumes no responsibility for equipment failures that result from using products at values that exceed, even momentarily, rated values (such as maximum ratings, operating condition ranges, or other parameters) listed in products specifications of any and all UTC products described or contained herein. UTC products are not designed for use in life support appliances, devices or systems where malfunction of these products can be reasonably expected to result in personal injury. Reproduction in whole or in part is prohibited without the prior written consent of the copyright owner. The information presented in this document does not form part of any quotation or contract, is believed to be accurate and reliable and may be changed without notice.