

PART NUMBER: VD-120A

DESCRIPTION: dual output switching power supply

Features

- Low cost, high reliability
- 105°C output capacitor
- Universal AC input range
- High efficiency, low temperature rise
- Soft-start circuit, limiting AC surge current
- Short circuit, overload, over-voltage protected
- Compact size, light weight
- 100% full load burn-in test
- Built-in EMI filter, low ripple noise



	CH1	CH2
DC output voltage	5V	12V
Output V. tolerance	±2%	±6%
Output rated current	12A	5A
Output current range	2-12A	0.5-5A
Ripple & noise	60mVp-p	120mVp-p
Line regulation	±0.5%	±1.0%
Load regulation	±0.5%	±5.0%
DC output power	120W	
Efficiency	78%	
DC voltage adj.	CH1:+10,-5%	
Input voltage range	88~132VAC/176~264VAC selected by switch, 47~63Hz; or 248~370VDC	
AC current	2.5A/115V 1.25A/230V	
Inrush current	cold start 35A	
Leakage current	<3.5mA/240VAC	
Overload protection	105%~135% shutoff AC recycle to restart	
Over voltage protection	CH1:5.75V~6.75V	
Temperature coefficient	±0.03% / °C (0~50°C) ON +5V output	
Set up, rise, hold up time	200ms, 50ms, 20ms	
Vibration	10~500Hz, 2G 10 min./1 cycle, period of 60 min. each axes	
Withstand voltage	I/P-O/P: 3KVAC, I/P-FG: 1.5KVAC, O/P-FG: 0.5KVAC, for 1 min.	
Isolation resistance	I/P-O/P, I/P-FG, O/P-FG:500VDC / 100M Ohms min.	
Working temp., humidity	-10°C~+60°C (refer to output derating curve), 20%-90% RH	
Storage temp., humidity	-20°C~+85°C, 10%-95% RH	
Dimensions	7.83x4.33x1.97inches (199x110x50mm)	
Weight	1.94lbs. (0.88Kgs)	
Safety standards	UL1950, TUV EN60950	
EMC standards	CISPR22 (EN55022) CLASS B, IEC801-2,3,4, IEC555-2 verification	

Notes:

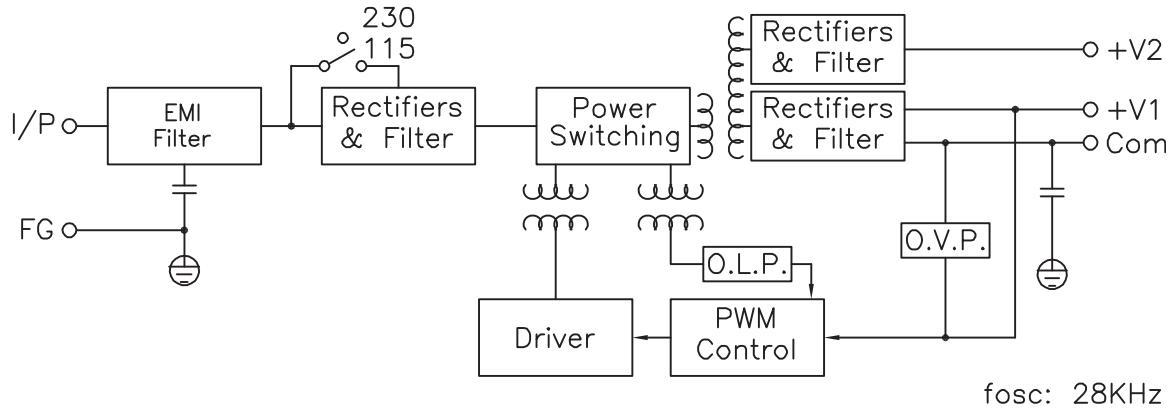
1. All parameters are specified at 230VAC input, rated load, 25°C 70% ambient
2. Tolerance includes set up tolerance, line regulation, load regulation
3. Ripple & noise are measured at 20MHz by using a 12" twisted pair terminated with a 0.1uF & 47 uF capacitor
4. Line regulation is measured from low line to high line at rated load
5. Load regulation is measured from 0% to 100% rated load
6. Each output provides up to maximum current, but total load can not exceed max. output power
7. C2, C3, C11 must be removed

*V-Infinity reserves the right to make changes to its products or to discontinue any product or service without notice, and to advise customers to verify the most up-to-date product information before placing orders. V-Infinity assumes no liability or responsibility for customer's applications using V-Infinity products other than repair or replacing (at V-I's option) V-Infinity products not meeting V-I's published specifications. Nothing will be covered outside of standard product warranty.

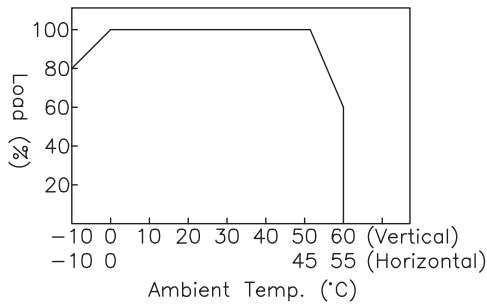
PART NUMBER: VD-120A

DESCRIPTION: dual output switching power supply

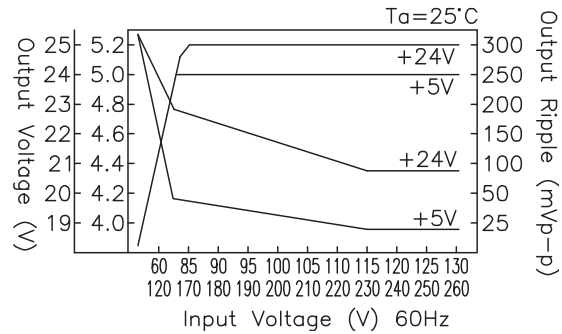
Block Diagram



Output Derating



Static Characteristics



Dimensions (mm)

Case: 906
Terminal Pin No. Assignment
Pin 1,2: AC Input
Pin 3 : FG
Pin 4 : DC Output +V2
Pin 5 : DC Output Com
Pin 6 : DC Output Com
Pin 7 : DC Output +V1
Pin 8 : DC Output +V1

