

**DESCRIPTION**

VLA507 is a hybrid integrated circuit designed for driving n-channel IGBT modules in any gate-amplifier application. This device operates as an isolation amplifier for these modules and provides the required electrical isolation between the input and output with an opto-coupler.

Recommended IGBT modules:

Mitsubishi NFH series IGBT modules

VCES = 1200V series up to 150A class (f : up to 30kHz)

Mitsubishi NF series IGBT modules

VCES = 600V series up to 200A class (f : up to 20kHz)

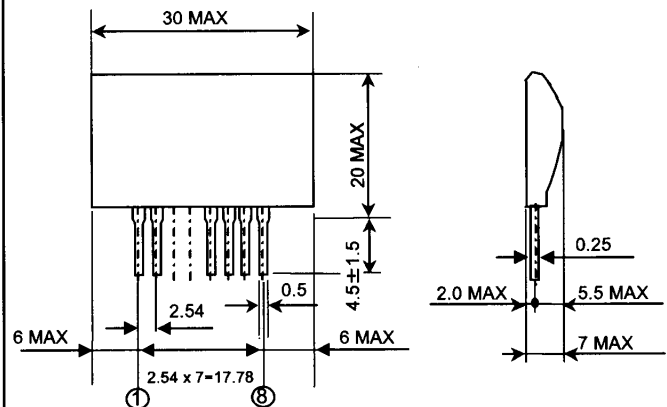
VCES = 1200V series up to 150A class (f : up to 20kHz)

**FEATURES**

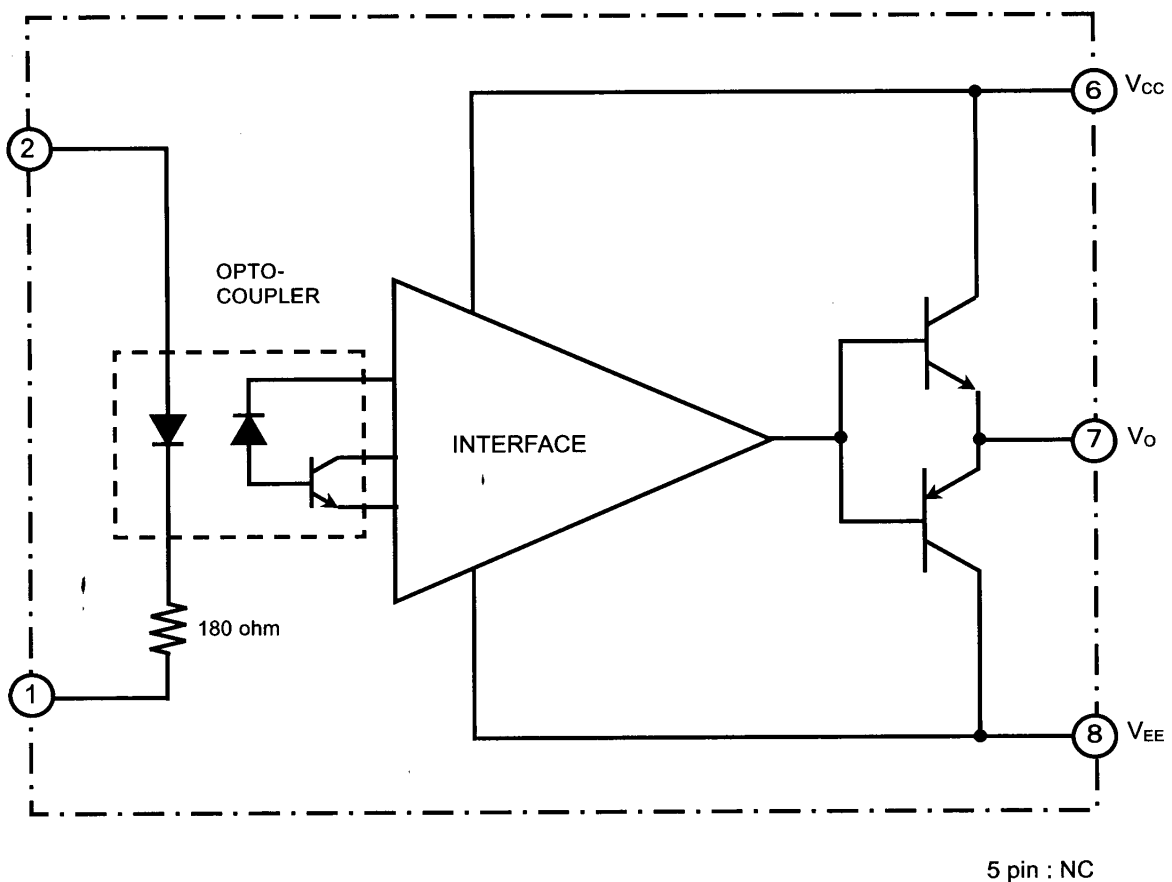
- Output peak current is + / -3A (max)
- Electrical isolation voltage is 2500Vrms(for 1 minute)
- SIP allows more space on mother board
- Two supply driver ( $V_{CC}$  : 15V ,  $V_{EE}$  : -10V)
- TTL compatible input interface

**OUTLINE DRAWING**

Dimensions: mm

**APPLICATION**

To drive IGBT modules for welder or induction heating.

**BLOCK DIAGRAM**

**MAXIMUM RATINGS (unless otherwise noted, Ta=25°C)**

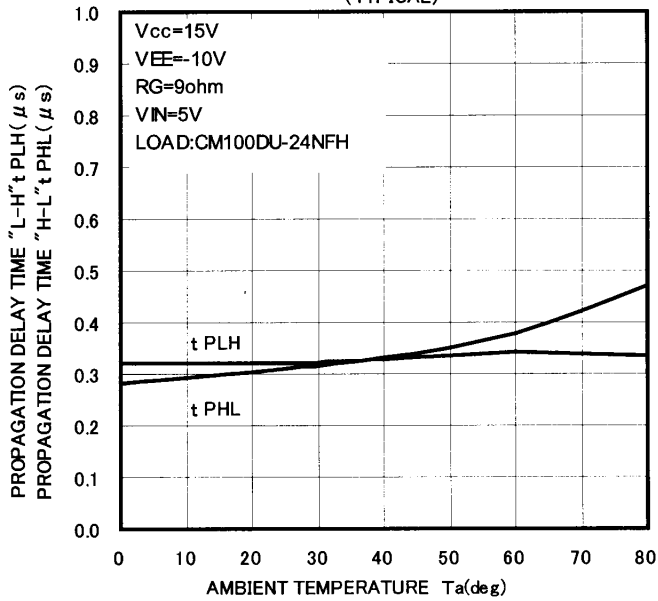
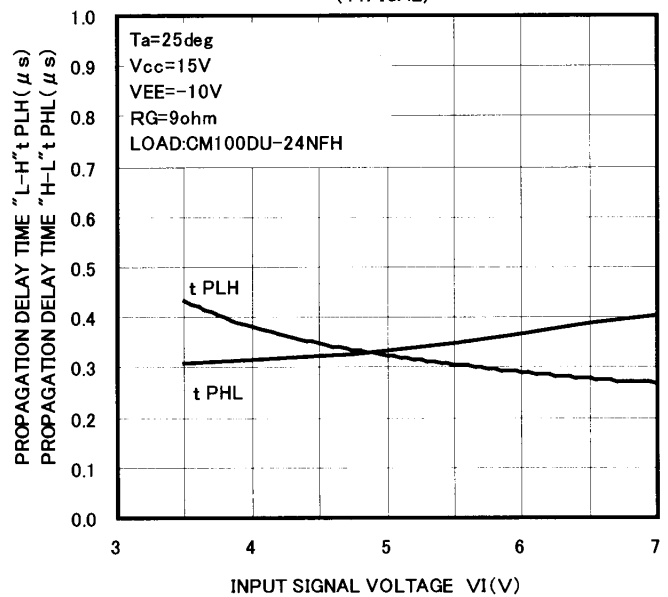
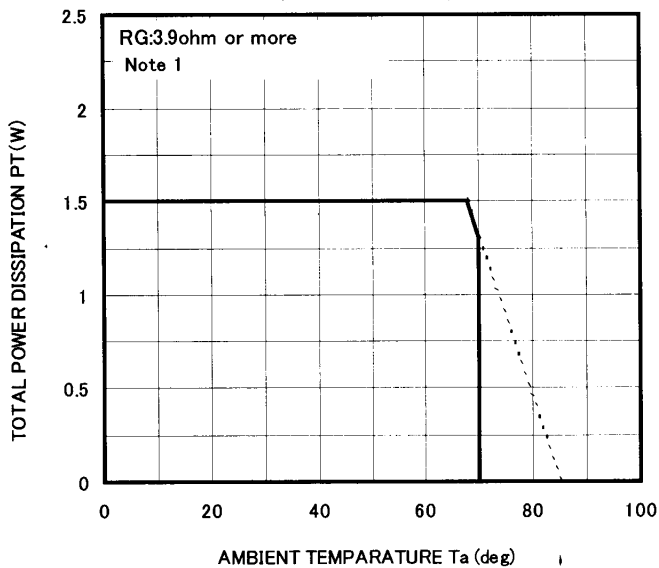
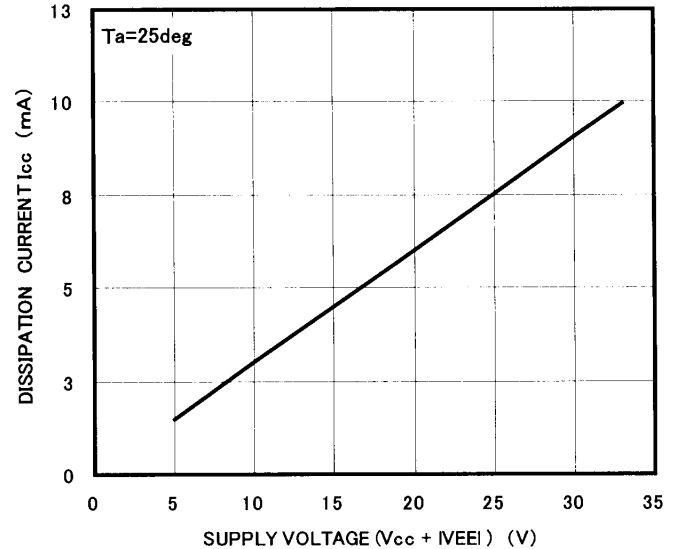
Symbol	Parameter	Conditions	Ratings	Unit
V <sub>CC</sub>	Supply voltage	DC	18	V
V <sub>EE</sub>			-12	V
V <sub>I</sub>	Input signal voltage	Applied between; 1pin and 2pin 50%duty cycle,pulse width 1ms	-1 ~ +7	V
V <sub>O</sub>	Output voltage	When the output voltage is "H"	V <sub>CC</sub>	V
I <sub>OHP</sub>	Output current	Pulse width 2μs	-3	A
I <sub>OLP</sub>			3	A
V <sub>iso</sub>	Isolation voltage	Sine wave voltage 60Hz, for 1min	2500	V <sub>rms</sub>
T <sub>C</sub>	Case temperature	-	85	°C
T <sub>opr</sub>	Operating temperature	No condensation allowable	-20 ~ +70	°C
T <sub>stg</sub>	Storage temperature	No condensation allowable	-25 ~ +100 (*1)	°C

(\*1) Differs from H/C condition

**ELECTRICAL CHARACTERISTICS (unless otherwise noted, Ta=25°C, V<sub>CC</sub> = 15V, V<sub>EE</sub> = -10V, R<sub>G</sub> = 9ohm)**

Symbol	Parameter	Conditions	Limits			Unit
			Min	Typ	Max	
V <sub>CC</sub>	Supply voltage	Recommended range	14	15	-	V
V <sub>EE</sub>			-5	-8	-10	V
V <sub>IN</sub>	Pull-up voltage on primary side	Recommended range	4.75	5	5.25	V
I <sub>IH</sub>	"H" input current	Recommended range	15.2	16.0	19.0	mA
f	Switching frequency	Recommended range	-	-	30	kHz
R <sub>G</sub>	Gate resistance	Recommended range	3.9	-	-	ohm
I <sub>IH</sub>	"H" input current	V <sub>IN</sub> =5V	-	16	-	mA
V <sub>OH</sub>	"H" output voltage	—	13	14	-	V
V <sub>OL</sub>	"L" output voltage	—	-8	-9	-	V
t <sub>PLH</sub>	"L-H" propagation time	I <sub>IH</sub> = 16mA	-	0.4	0.8	μs
t <sub>r</sub>	"L-H" rise time	I <sub>IH</sub> = 16mA	-	0.3	1	μs
t <sub>PHL</sub>	"H-L" propagation time	I <sub>IH</sub> = 16mA	-	0.4	0.9	μs
t <sub>f</sub>	"H-L" fall time	I <sub>IH</sub> = 16mA	-	0.3	1	μs

## PERFORMANCE CURVES

t PLH, t PHL vs. Ta CHARACTERISTICS  
(TYPICAL)tPLH, tPHL vs. VI CHARACTERISTICS  
(TYPICAL)PT vs. Ta  
(MAXIMUM RATING)Icc vs. (Vcc + IVEE) CHARACTERISTICS  
(TYPICAL)

Note 1: Please confirm that the following numerical expression is satisfied.

$$PT > (V_{cc} + IVEE) * [ (Q1 + IQ2) * f + I_{cc} ]$$

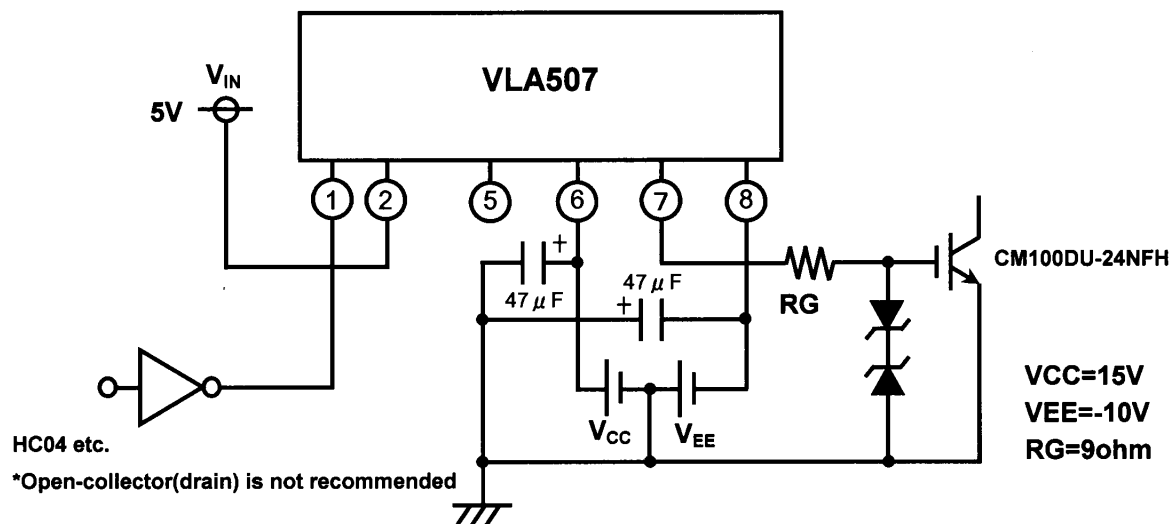
Q1: Gate charge on plus bias

Q2: Gate charge on minus bias

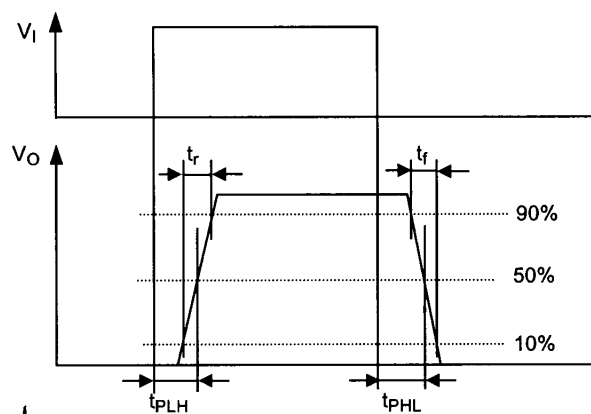
f : Switching frequency

Icc: Constant dissipation current of driver

Refer to "Icc vs. (Vcc + IVEE) CHARACTERISTICS"

**Measurement circuit****PRECAUTION**

- (1) Voltage compensate capacitor are expected to be located as close as possible from the hybrid IC.
- (2) Please minimize the area of closed circuit of gate circuit so as not to be affected by induction noise.

**DEFINITION OF CHARACTERISTICS**

**FOR SAFETY USING**

Great detail and careful attention are given to the production activity of Hics, such as the development, the quality of production, and in its reliability. However the reliability of Hics depends not only on their own factors but also in their condition of usage. When handling Hics, please note the following cautions.

CAUTIONS	
Packing	<p>The materials used in packing Hics can only withstand normal external conditions. When exposed to outside shocks, rain and certain environmental contaminators, the packing materials will deteriorates. Please take care in handling.</p>
Carrying	<ol style="list-style-type: none"> <li>1) Don't stack boxes too high. Avoid placing heavy materials on boxes.</li> <li>2) Boxes must be positioned correctly during transportation to avoid breakage.</li> <li>3) Don't throw or drop boxes.</li> <li>4) Keep boxes dry. Avoid rain or snow.</li> <li>5) Minimal vibration and shock during transportation is desirable.</li> </ol>
Storage	<p>When storing Hics, please observe the following notices or possible deterioration of their electrical characteristics, risk of solder ability, and external damage may occur.</p> <ol style="list-style-type: none"> <li>1) Devices must be stored where fluctuation of temperature and humidity is minimal, and must not be exposed to direct sunlight. Store at the normal temperature of 5 to 30 degrees Celsius with humidity at 40 to 60%.</li> <li>2) Avoid locations where corrosive gasses are generated or where much dust accumulates.</li> <li>3) Storage cases must be static proof.</li> <li>4) Avoid putting weight on boxes.</li> </ol>
Extended storage	<p>When extended storage is necessary, Hics must be kept non-processed. When using Hics which have been stored for more than one year or under severe conditions, be sure to check that the exterior is free from flaw and other damages.</p>
Maximum ratings	<p>To prevent any electrical damages, use Hics within the maximum ratings. The temperature, current, voltage, etc. must not exceed these conditions.</p>
Polarity	<p>To protect Hics from destruction and deterioration due to wrong insertion, make sure of polarity in inserting leads into the board holes, conforming to the external view for the terminal arrangement.</p>

**ISAHAYA ELECTRONICS CORPORATION**

*Marketing division, Marketing planning department*

6-41 Tsukuba, Isahaya, Nagasaki, 854-0065 Japan

**Keep safety first in your circuit designs!**

- ISAHAYA Electronics Corporation puts the maximum effort into making semiconductor products better and more reliable, but there is always the possibility that trouble may occur with them. Trouble with semiconductors may lead to personal injury, fire or property damage. Remember to give due consideration to safety when making your circuit designs, with appropriate measures such as (1)placement of substitutive, auxiliary circuits, (2)use of non-flammable material or (3)prevention against any malfunction or mishap.

**Notes regarding these materials**

- These materials are intended as a reference to assist our customers in the selection of the ISAHAYA products best suited to the customer's application; they don't convey any license under any intellectual property rights, or any other rights, belonging ISAHAYA or a third party.
- ISAHAYA Electronics Corporation assumes no responsibility for any damage, or infringement of any third party's rights, originating in the use of any product data, diagrams, charts or circuit application examples contained in these materials.
- All information contained in these materials, including product data, diagrams and charts, represent information on products at the time of publication of these materials, and are subject to change by ISAHAYA Electronics Corporation without notice due to product improvements or other reasons. It is therefore recommended that customers contact ISAHAYA Electronics Corporation or an authorized ISAHAYA products distributor for the latest product information before purchasing product listed herein.
- ISAHAYA Electronics Corporation products are not designed or manufactured for use in a device or system that is used under circumstances in which human life is potentially at stake. Please contact ISAHAYA electronics corporation or an authorized ISAHAYA products distributor when considering the use of a product contained herein for any specific purposes, such as apparatus or systems for transportation, vehicular, medical, aerospace, nuclear, or undersea repeater use.
- The prior written approval of ISAHAYA Electronics Corporation is necessary to reprint or reproduce in whole or in part these materials.
- If these products or technologies are subject to the Japanese export control restrictions, they must be exported under a license from the Japanese government and cannot be imported into a country other than the approved destination. Any diversion or reexport contrary to the export control laws and regulations of Japan and/or the country of destination is prohibited.
- Please contact ISAHAYA Electronics Corporation or an authorized ISAHAYA products distributor for further details on these materials or the products contained therein.