



P-Channel Enhancement-Mode Vertical DMOS FETs

Ordering Information

BV _{DSS} / BV _{DGS}	R _{DS(ON)} (max)	I _{D(ON)} (min)	Order Number / Package
			TO-92
-80V	5.0Ω	-1.1A	VP0808L

Features

- Free from secondary breakdown
- Low power drive requirement
- Ease of paralleling
- Low C_{iss} and fast switching speeds
- Excellent thermal stability
- Integral Source-Drain diode
- High input impedance and high gain
- Complementary N- and P-channel devices

Applications

- Motor controls
- Converters
- Amplifiers
- Switches
- Power supply circuits
- Drivers (relays, hammers, solenoids, lamps, memories, displays, bipolar transistors, etc.)

Absolute Maximum Ratings

Drain-to-Source Voltage	BV _{DSS}
Drain-to-Gate Voltage	BV _{DGS}
Gate-to-Source Voltage	± 30V
Operating and Storage Temperature	-55°C to +150°C
Soldering Temperature*	300°C

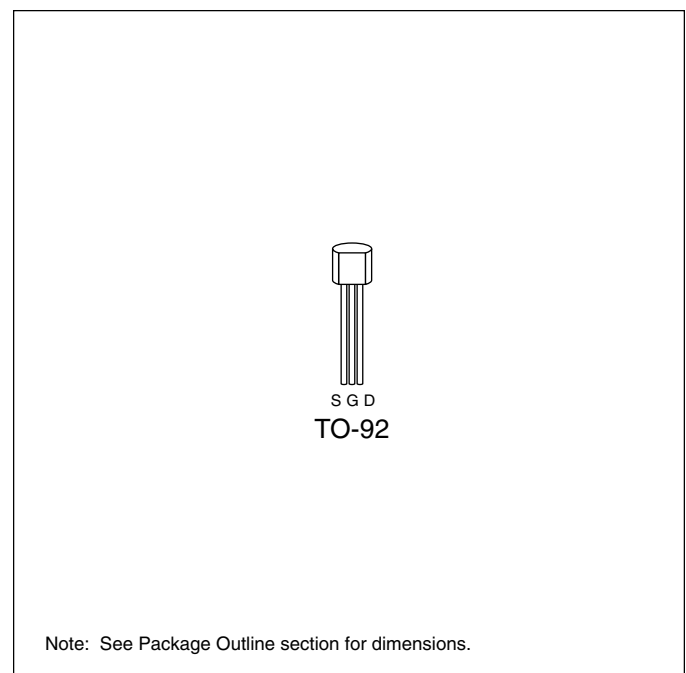
* Distance of 1.6 mm from case for 10 seconds.

Advanced DMOS Technology

These enhancement-mode (normally-off) transistors utilize a vertical DMOS structure and Supertex's well-proven silicon-gate manufacturing process. This combination produces devices with the power handling capabilities of bipolar transistors and with the high input impedance and positive temperature coefficient inherent in MOS devices. Characteristic of all MOS structures, these devices are free from thermal runaway and thermally-induced secondary breakdown.

Supertex's vertical DMOS FETs are ideally suited to a wide range of switching and amplifying applications where high breakdown voltage, high input impedance, low input capacitance, and fast switching speeds are desired.

Package Option



Thermal Characteristics

Package	I_D (continuous)*	I_D (pulsed)	Power Dissipation	θ_{JC} °C/W	θ_{JA} °C/W
TO-92	-0.28A	-3A	1W	125	170

* I_D (continuous) is limited by max rated T_J .

Electrical Characteristics (@ 25°C unless otherwise specified)

Symbol	Parameter	Min	Typ	Max	Unit	Conditions
BV_{DSS}	Drain-to-Source Breakdown Voltage	-80			V	$V_{GS} = 0V, I_D = -10\mu A$
$V_{GS(th)}$	Gate Threshold Voltage	-1.0		-4.5	V	$V_{GS} = V_{DS}, I_D = -1mA$
I_{GSS}	Gate Body Leakage			-100	nA	$V_{GS} = \pm 20V, V_{DS} = 0V$
I_{DSS}	Zero Gate Voltage Drain Current			-10	μA	$V_{GS} = 0V, V_{DS} = \text{Max Rating}$
				-500		$V_{GS} = 0V, V_{DS} = \text{Max Rating}$ $T_A = 125^\circ C$
$I_{D(ON)}$	ON-State Drain Current	-1.1			A	$V_{GS} = -10V, V_{DS} = -15V$
$R_{DS(ON)}$	Static Drain-to-Source ON-State Resistance			5.0	Ω	$V_{GS} = -10V, I_D = -1A$
G_{FS}	Forward Transconductance	200			$m\bar{S}$	$V_{DS} = -10V, I_D = -0.5A$
C_{ISS}	Input Capacitance			150	μF	$V_{GS} = 0V, V_{DS} = -25V$ $f = 1MHz$
C_{OSS}	Common Source Output Capacitance			60		
C_{RSS}	Reverse Transfer Capacitance			25		
$t_{d(ON)}$	Turn-ON Delay Time			15	ns	$V_{DD} = -25V, I_D = -0.5A$ $R_{GEN} = 25\Omega$
t_r	Rise Time			40		
$t_{d(OFF)}$	Turn-OFF Time			30		
t_f	Fall Time			30		
V_{SD}	Diode Forward Voltage Drop		-1.2		V	$V_{GS} = 0V, I_{SD} = -0.9A$

Notes:

- All D.C. parameters 100% tested at 25°C unless otherwise stated. (Pulse test: 300 μs pulse, 2% duty cycle.)
- All A.C. parameters sample tested.

Switching Waveforms and Test Circuit

