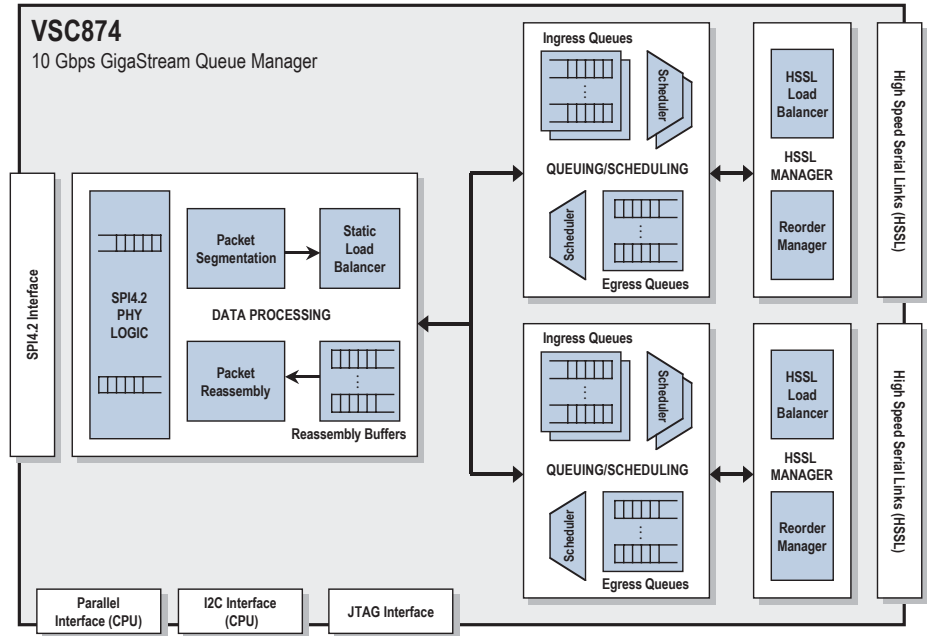


# VSC874

VITESSE

## GigaStream® 10 Gbps Queue Manager with Integrated SPI4.2 Interface



**FEATURES:**

- ▶ SPI4.2 Interface
- ▶ 16 High-speed Serial Links
- ▶ Dual Ingress and Egress Queuing Engines
- ▶ Direct Mode
- ▶ Fabric Mode
- ▶ Framer Interface
- ▶ Packet Interface
- ▶ Interfaces with Existing GigaStream Devices
- ▶ Automatic Load Balancing Across Switch Chips

**BENEFITS:**

- ▶ A standard 10 Gbps Interface
- ▶ Provides 40 Gbps of Backplane Bandwidth
- ▶ Can Provide Eight Traffic Classes Per Queuing Engine
- ▶ No Switch Chip is Needed Supports Mesh Mode Configuration
- ▶ Can Operate in a Dual Star Fabric Configuration
- ▶ Can Connect Directly to Framers or Macs
- ▶ Can Connect Directly to NPUs and CPUs
- ▶ Can Easily Operate with Existing GigaStream Devices
- ▶ Traffic is Only Sent to Active and Working Switch Chips

**APPLICATIONS:**

- ▶ IP Service Appliances
- ▶ Edge/Access Routers
- ▶ Multi-service Provisioning Platforms
- ▶ 3G Wireless Platforms
- ▶ Media Gateways

## GigaStream® 10 Gbps Queue Manager with Integrated SPI4.2 Interface

### GENERAL DESCRIPTION:

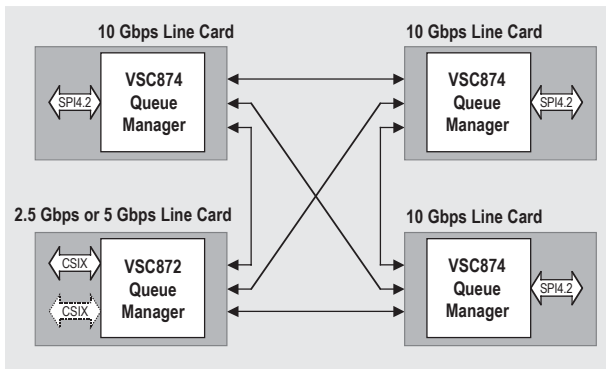


The VSC874 is a highly integrated 10 Gbps Queue Manager part of Vitesse's GigaStream family of Intelligent Switch Fabric devices. This device provides a standard-interface intelligent switching solution ideal for a variety of access/edge, metro, and core applications. Typically, the VSC874 is used on a variety of line cards where it connects directly to media access controllers (MAC), framers, and network processing units (NPU). These line cards can then be interconnected using either a low-cost mesh without a switch device ('direct mode') or traditional central-switch architecture ('fabric mode').

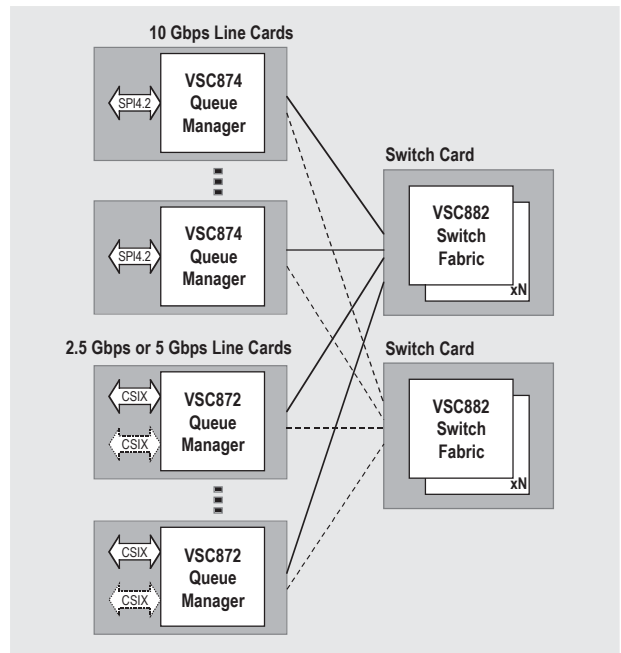
### SPECIFICATIONS:

- ▶ SPI4.2 Interface that can Operate up to 16 Gbps
- ▶ 16 High Speed Serial Links that can Operate up to 40 Gbps
- ▶ Can Operate in Direct Mode or Fabric Mode
- ▶ SPI4 Interface can Operate in Framer Mode or Packet Mode
- ▶ Up to 16 Traffic Classes for Unicast and Multicast Data
- ▶ Provides SPI4 Burst Segmentation and Re-assembly
- ▶ Automatic Load Balancing Across one to Sixteen VSC882 Switch Chips
- ▶ Parallel and Two-wire Serial Interface
- ▶ Housed in a 672 BGA Package

### DIRECT MODE DIAGRAM:



### FABRIC MODE DIAGRAM:



For more information on Vitesse Products visit the Vitesse web site at [www.vitesse.com](http://www.vitesse.com) or contact Vitesse Sales at (800) VITESSE or [sales@vitesse.com](mailto:sales@vitesse.com)

Vitesse, ASIC-Friendly, FibreTimer, TimeStream and Snoop Loop are trademarks of Vitesse Semiconductor Corporation. All other trademarks or registered trademarks mentioned herein are the property of their respective holders. Vitesse Semiconductor Corporation ("Vitesse") retains the right to make changes to its products or specifications to improve performance, reliability or manufacturability. All information in this document, including descriptions of features, functions, performance, technical specifications and availability, is subject to change without notice at any time.

741 Calle Plano  
Camarillo, CA 93012, USA  
Tel: +1 805.388.3700  
Fax: +1 805.987.5896  
[www.vitesse.com](http://www.vitesse.com)